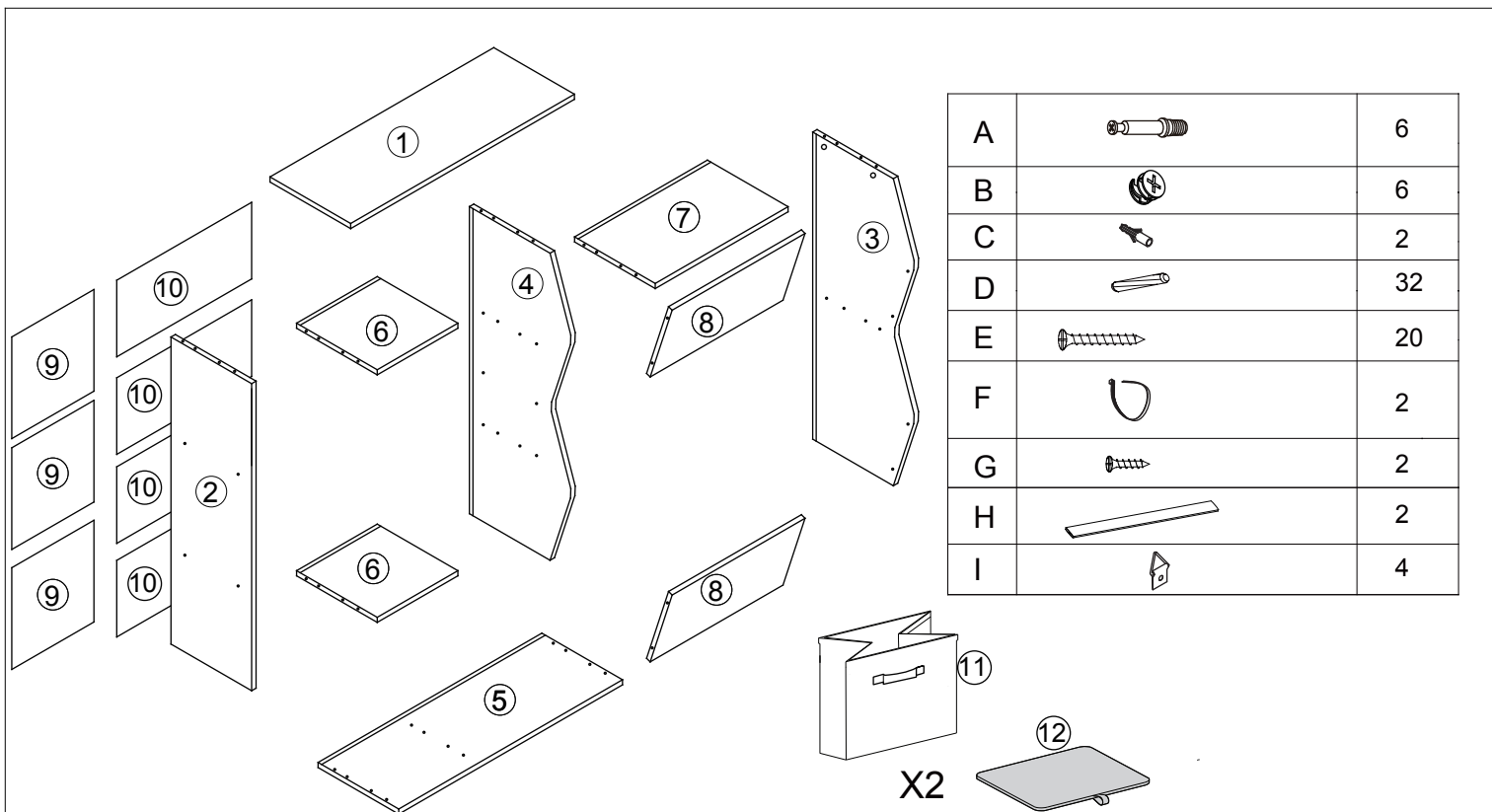
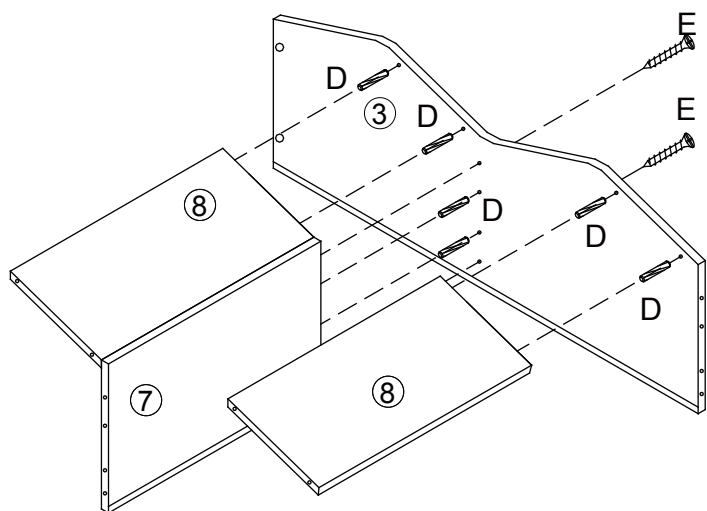


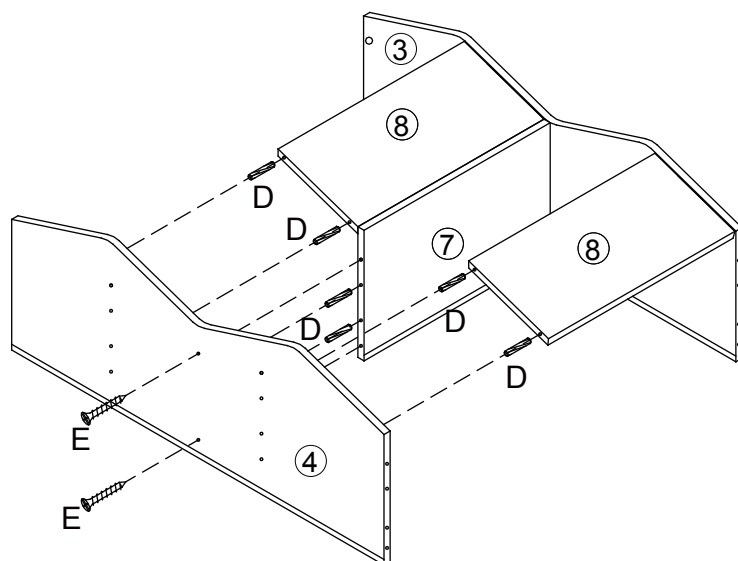
# Assembly Instruction



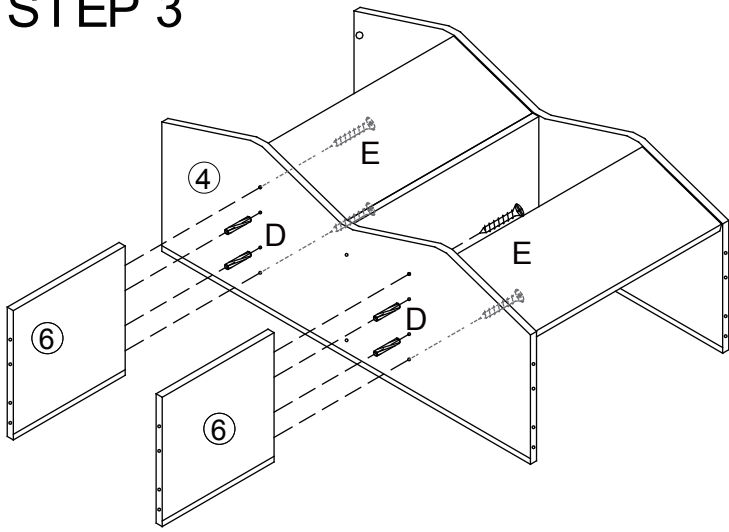
## STEP 1



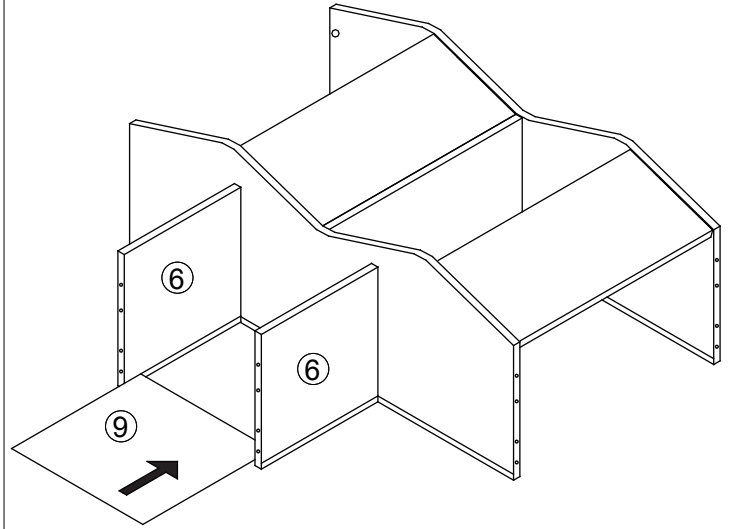
## STEP 2



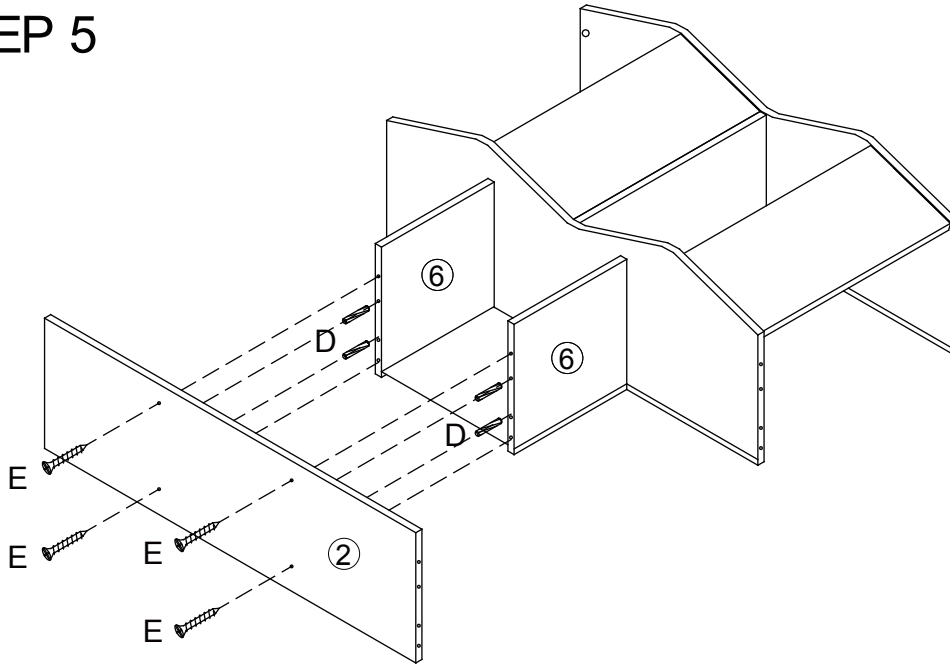
### STEP 3



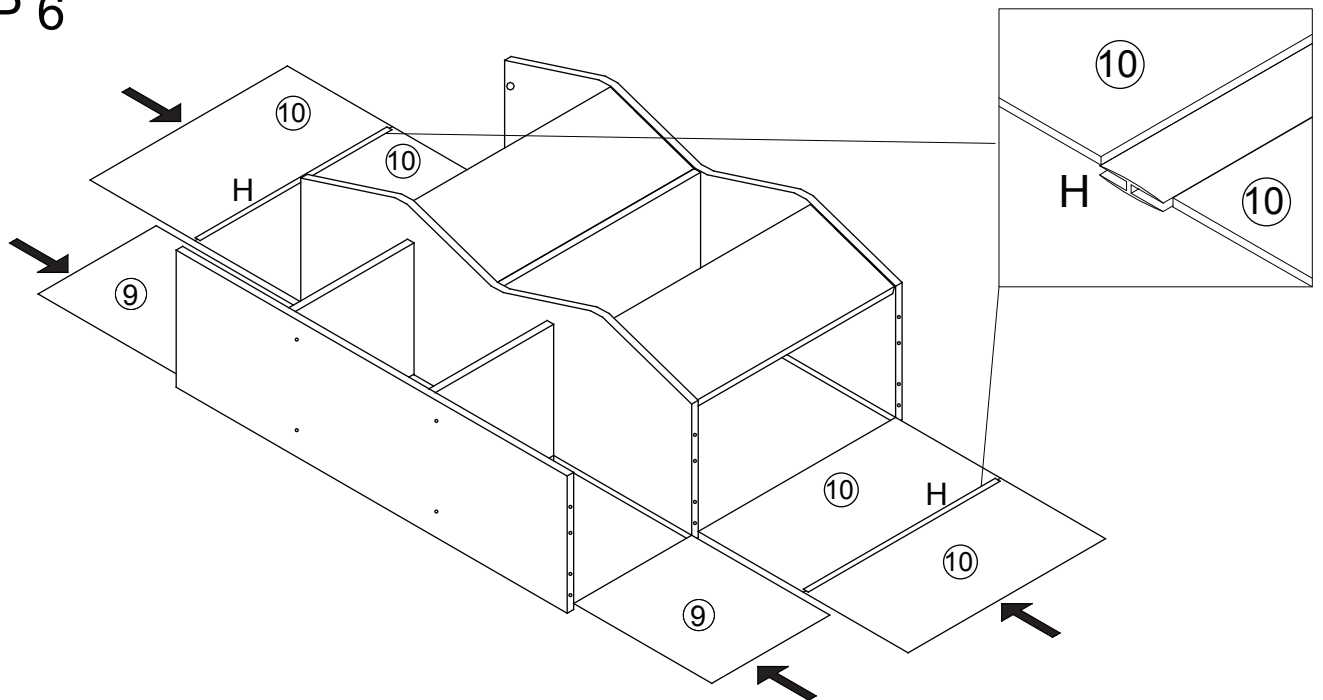
### STEP 4



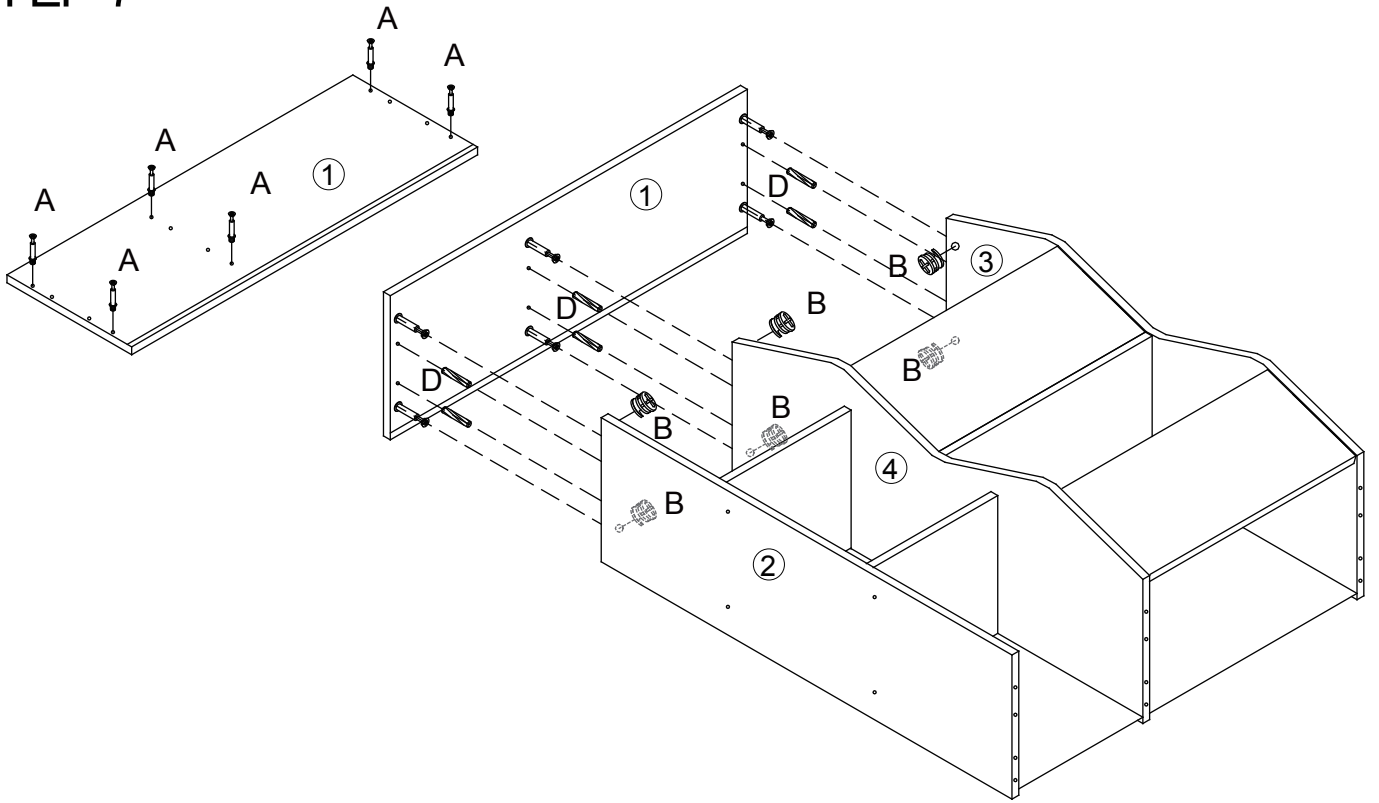
### STEP 5



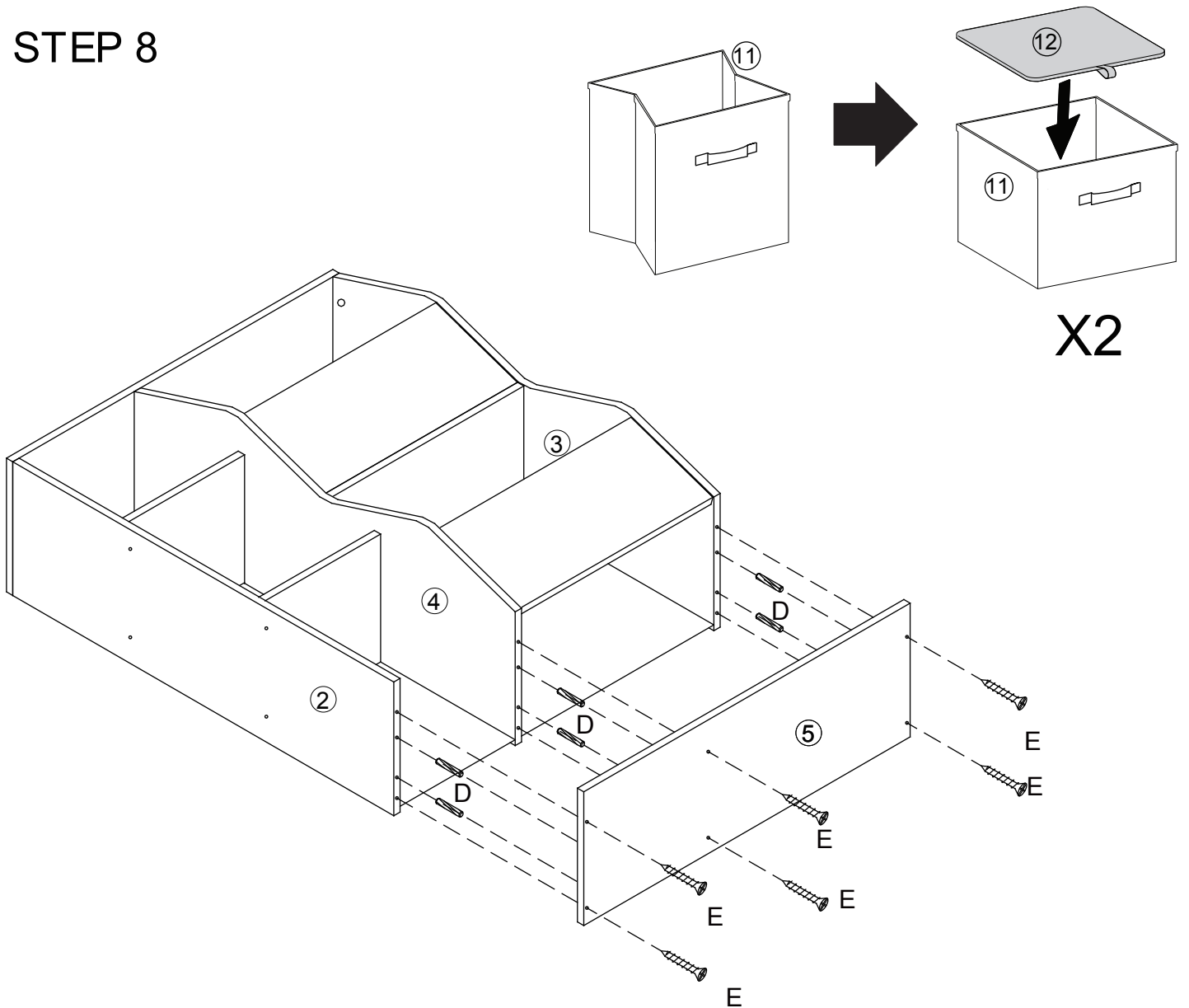
### STEP 6



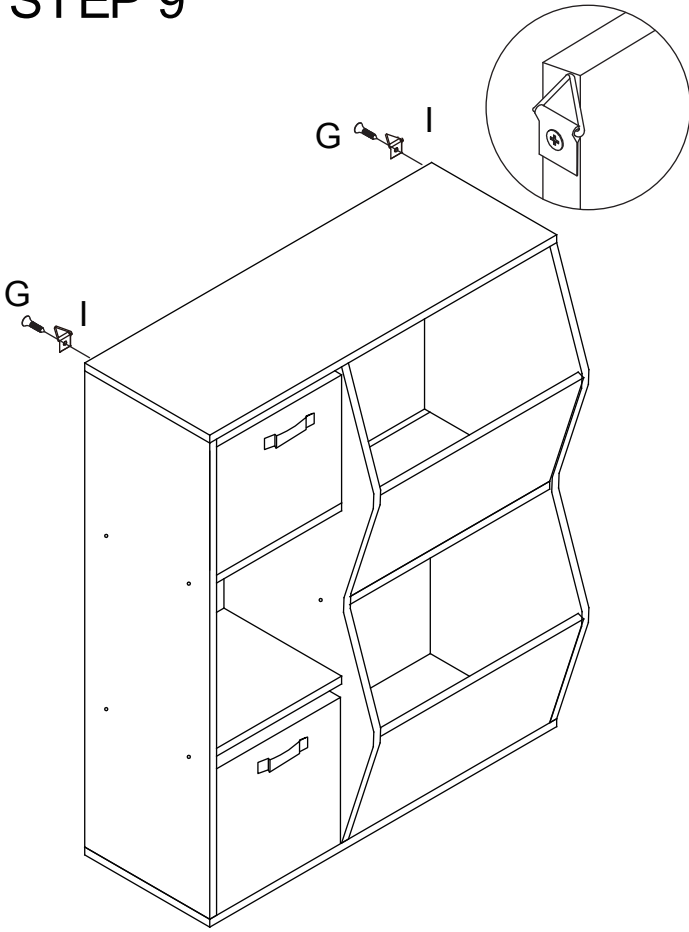
# STEP 7



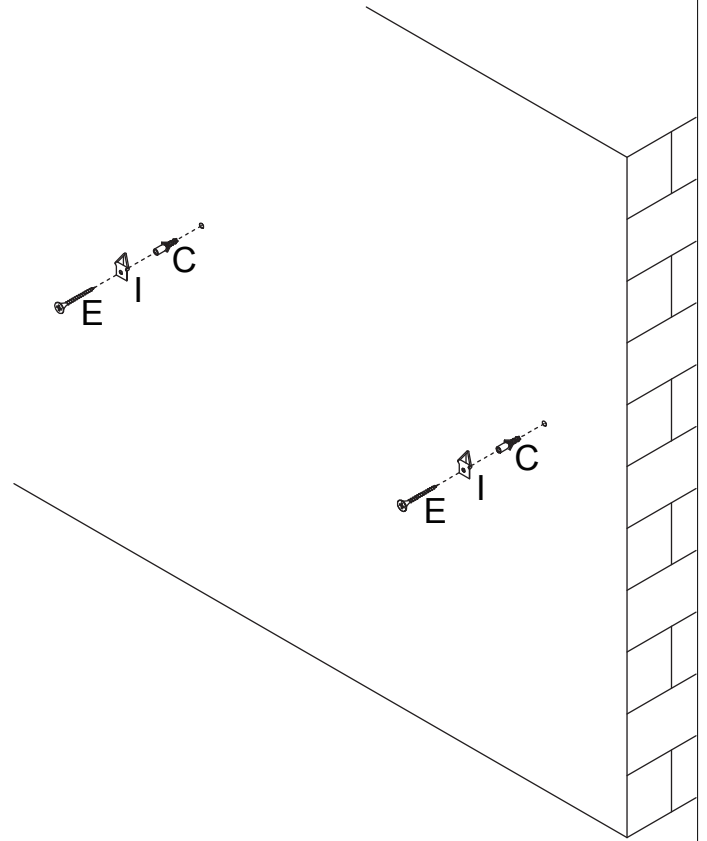
# STEP 8



# STEP 9



# STEP 10



# STEP 11

