
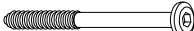

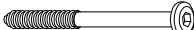


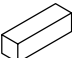






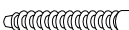



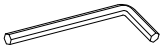
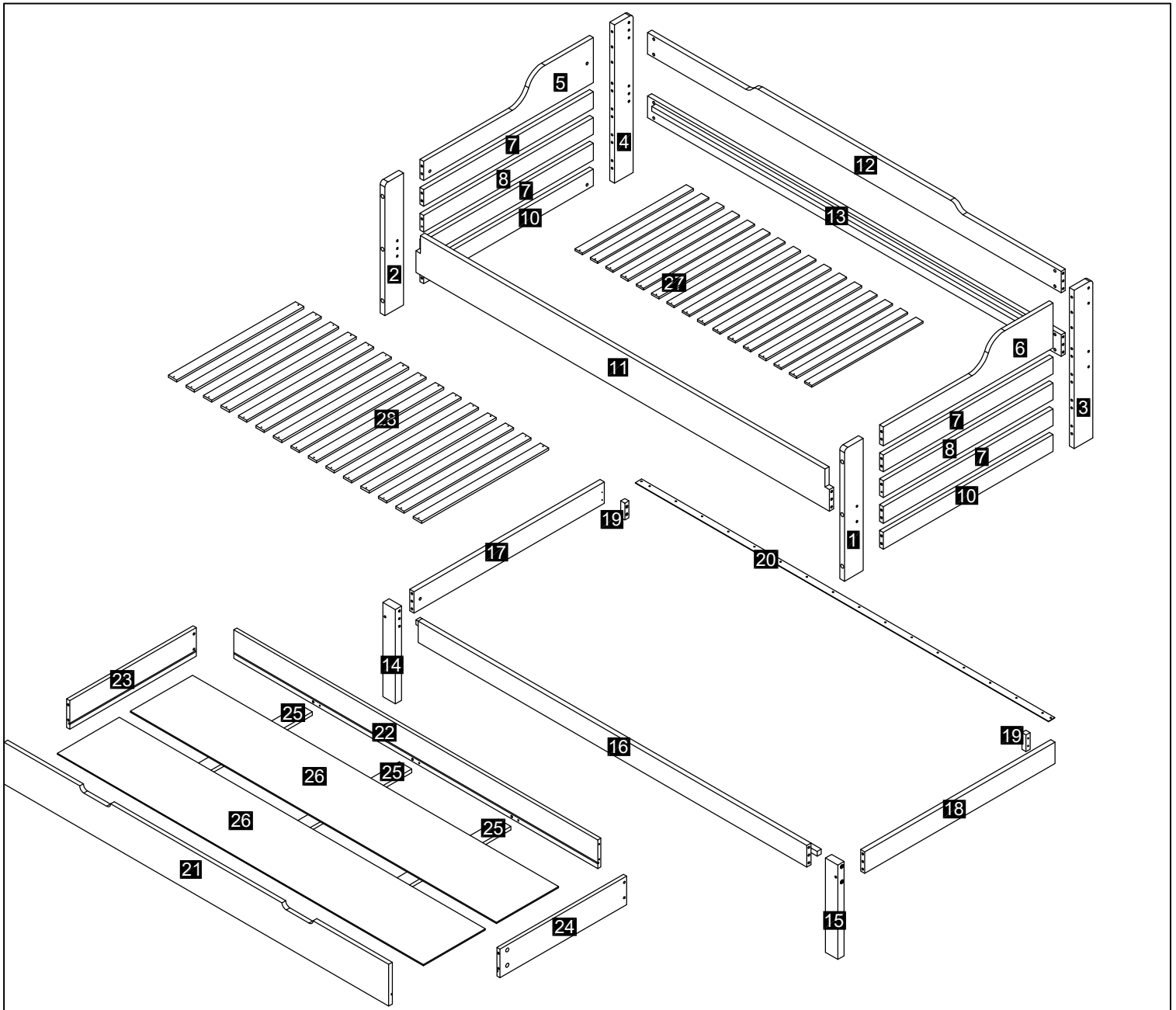
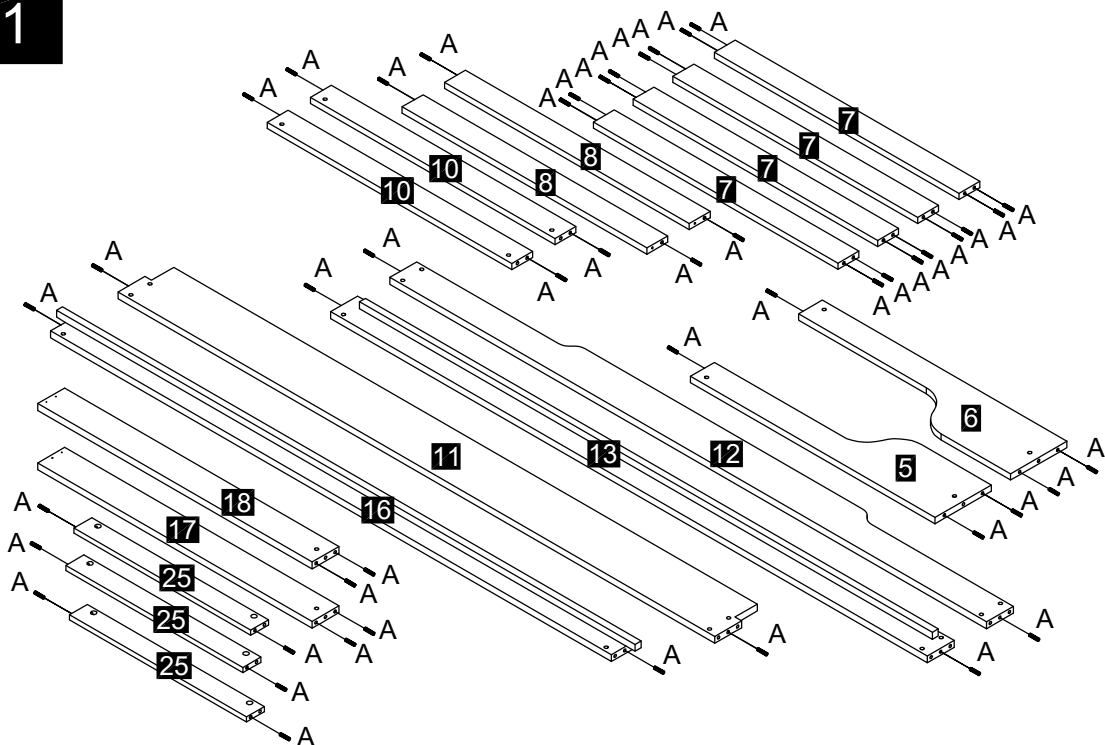



| | | | |
|---|---|----------|----|
| A |  | Φ8*30mm | 48 |
| B |  | M6*120mm | 8 |
| C |  | | 26 |
| D |  | Φ6*110mm | 4 |
| E |  | M6*60mm | 12 |
| F |  | Φ4*30mm | 50 |
| H |  | 66.6mm | 1 |
| I |  | M6*100mm | 4 |
| J |  | M6*70mm | 2 |

| | | | |
|---|---|-----------|----|
| K |  | Φ3.5*14mm | 18 |
| L |  | | 10 |
| M |  | | 10 |
| N |  | 1755mm | 1 |
| O |  | Φ7*50 | 4 |
| P |  | 35mm | 4 |
| Q |  | 3*16 | 8 |
| R |  | 21mm | 30 |
| S |  | 4 mm | 1 |

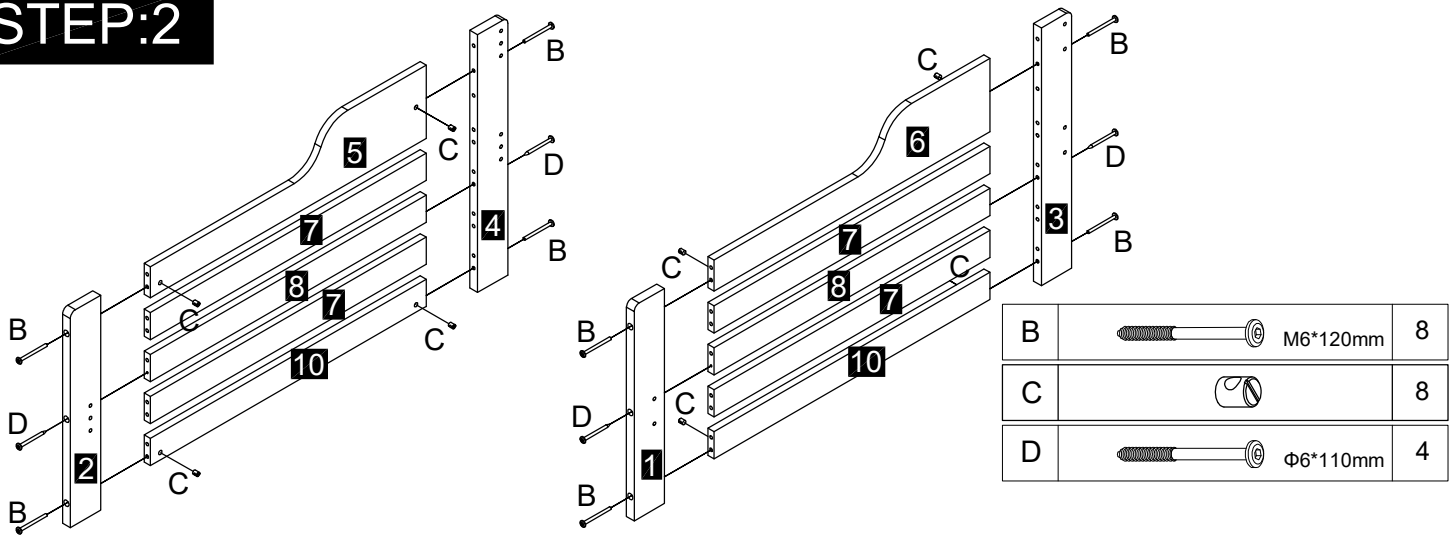


STEP:1

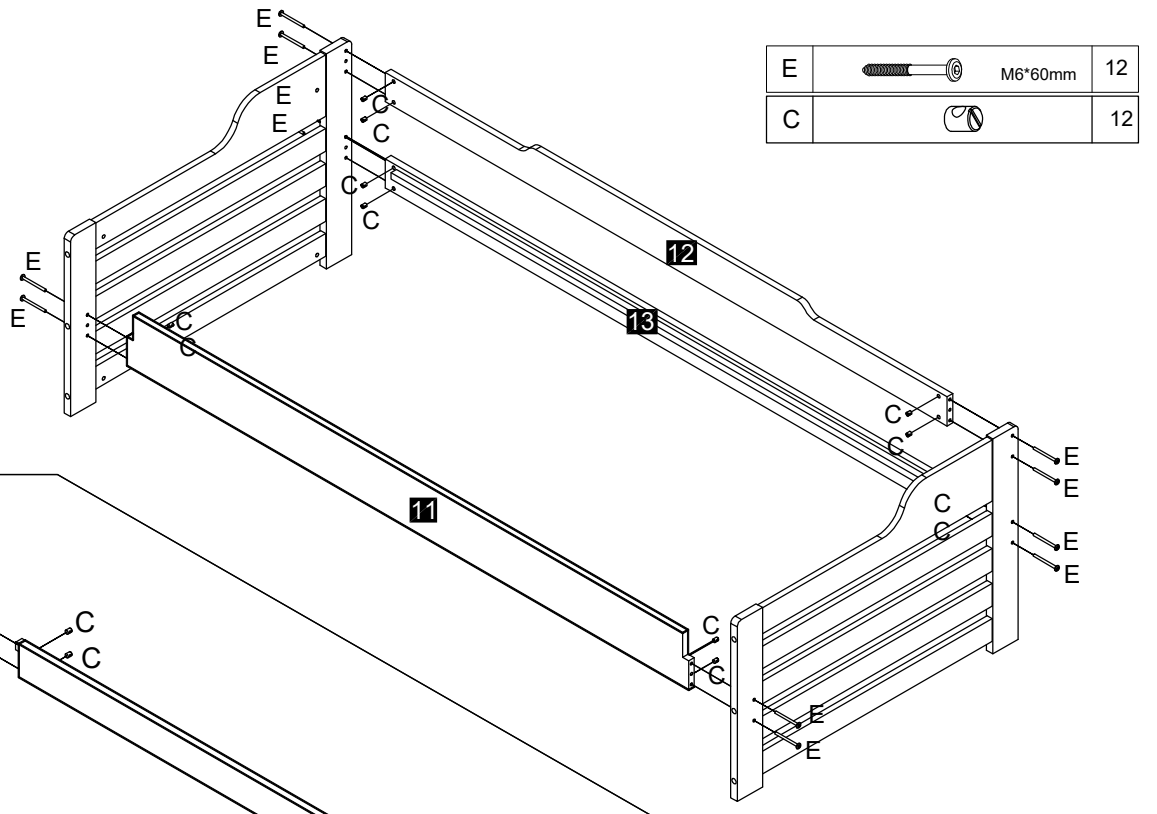


| | | |
|---|--|----|
| A |  $\Phi 8 \times 30 \text{mm}$ | 48 |
|---|--|----|

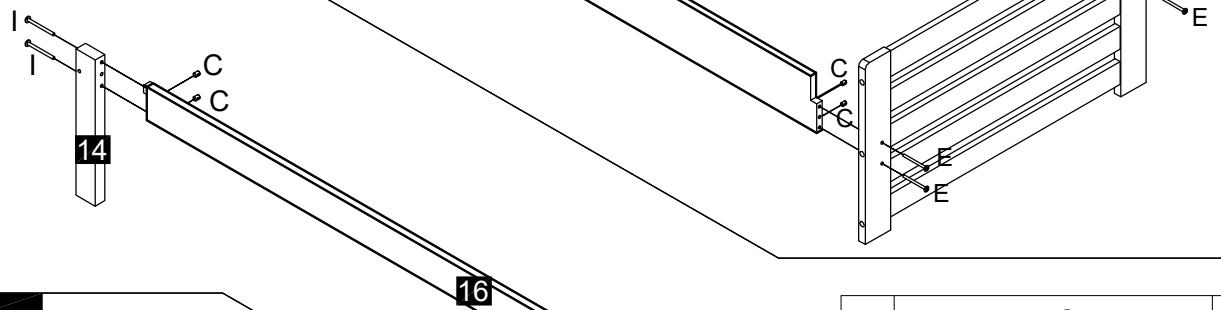
STEP:2



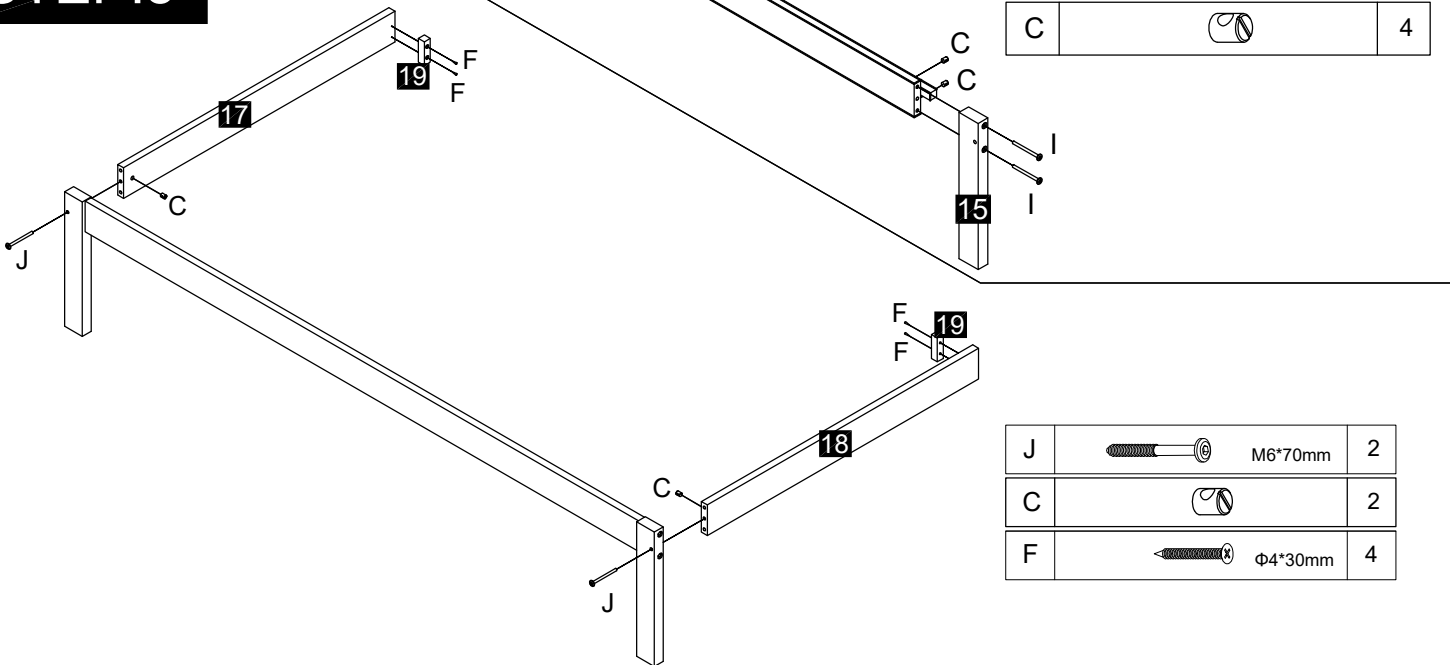
STEP:3



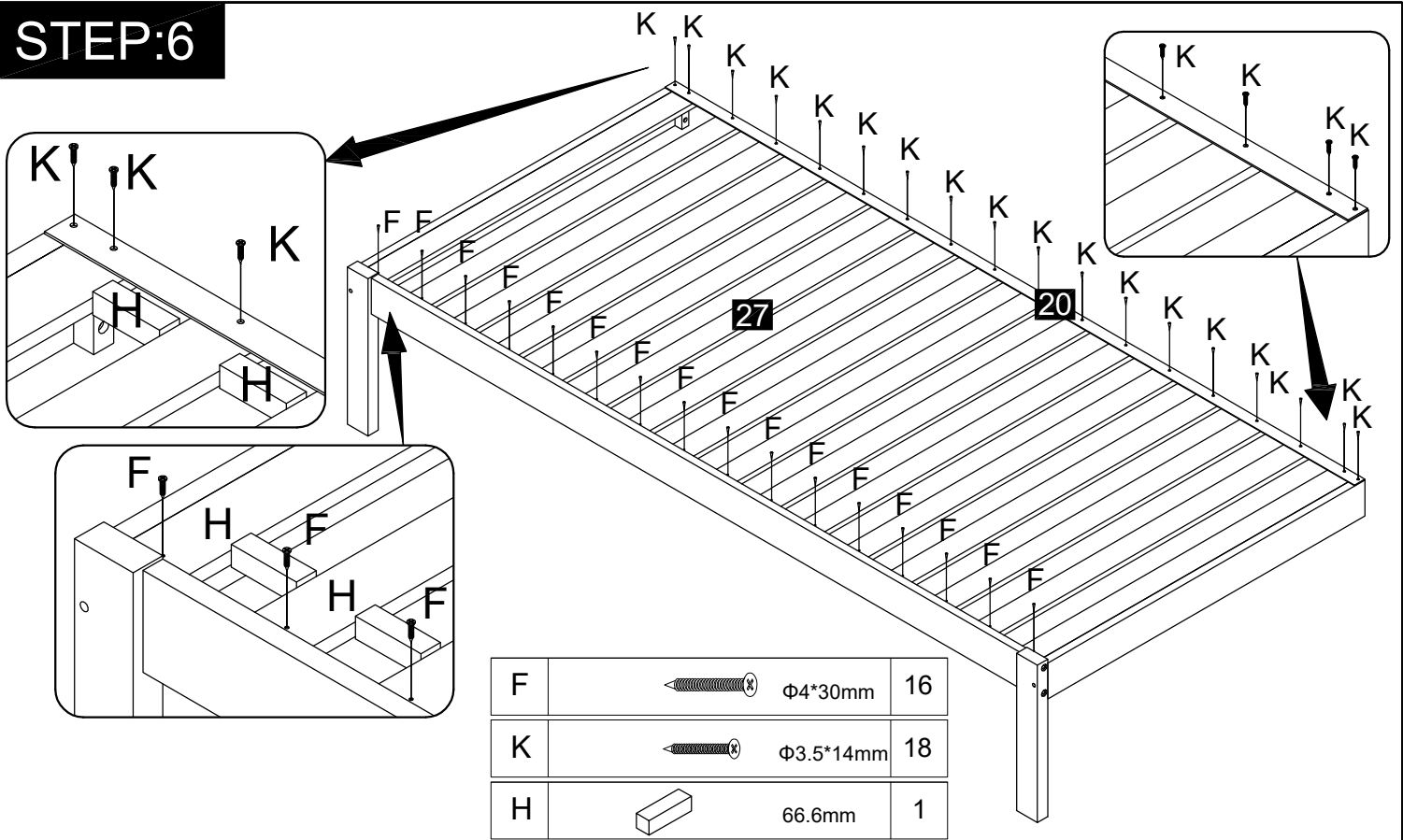
STEP:4



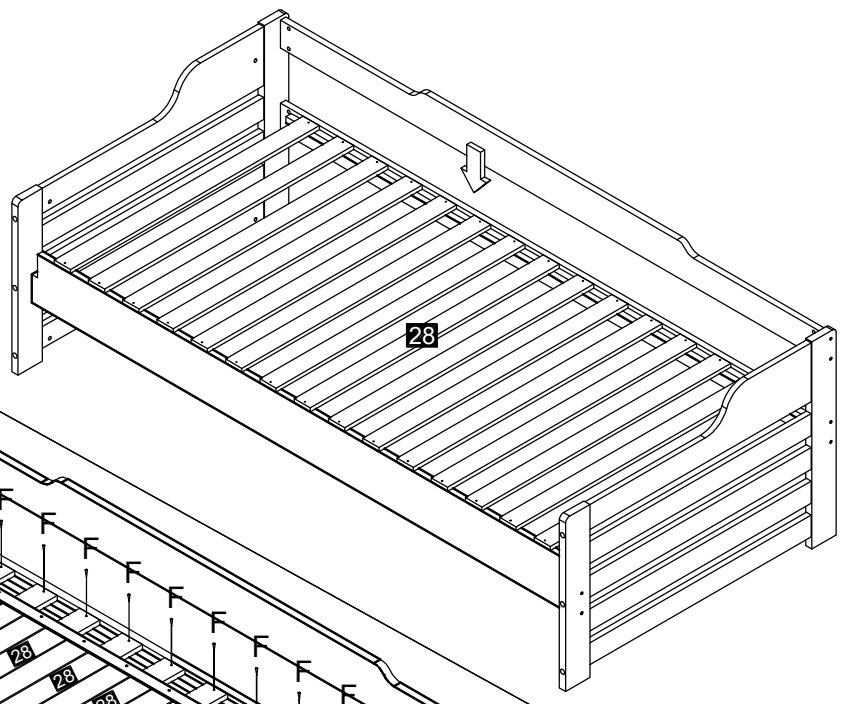
STEP:5



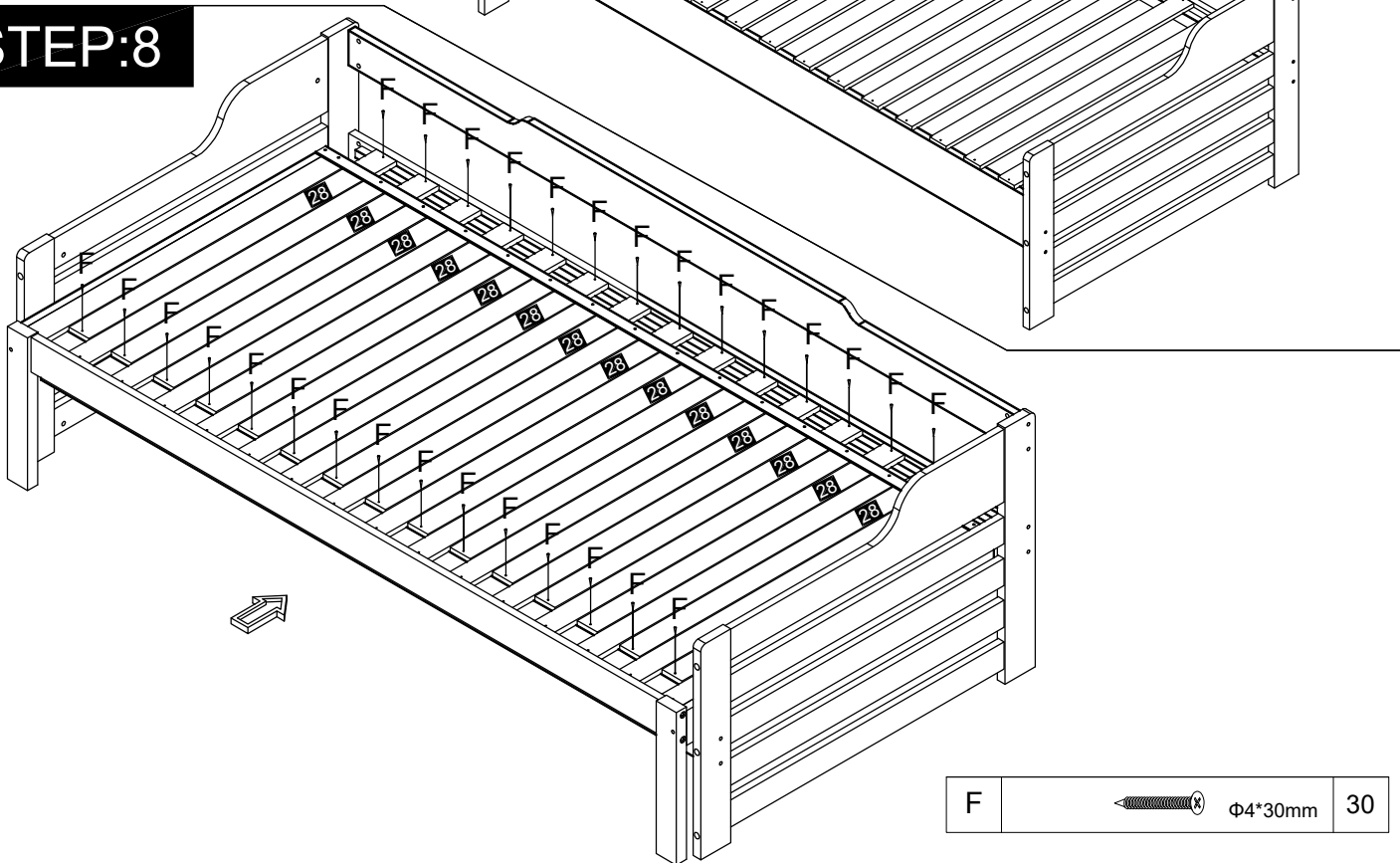
STEP:6



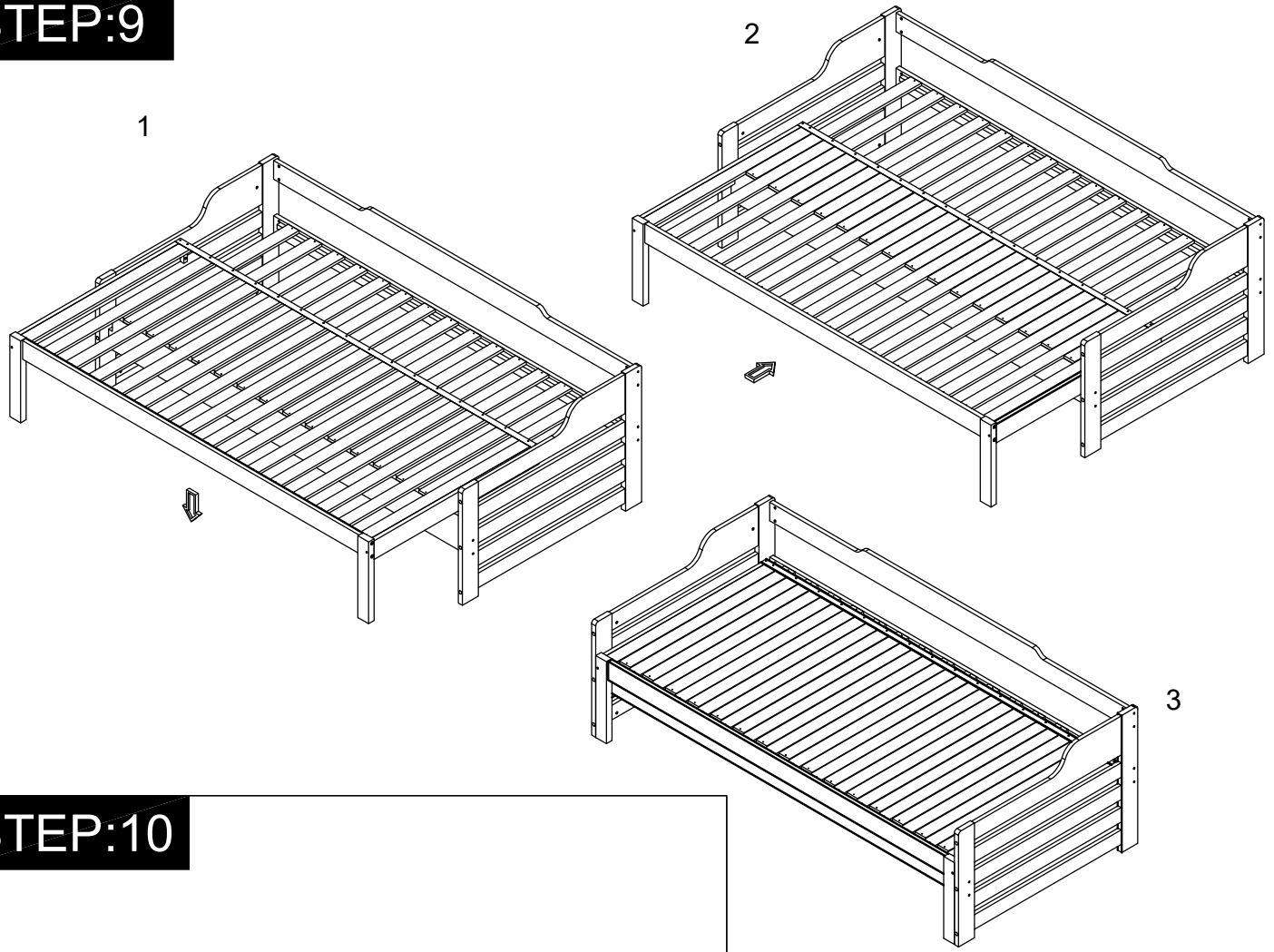
STEP:7



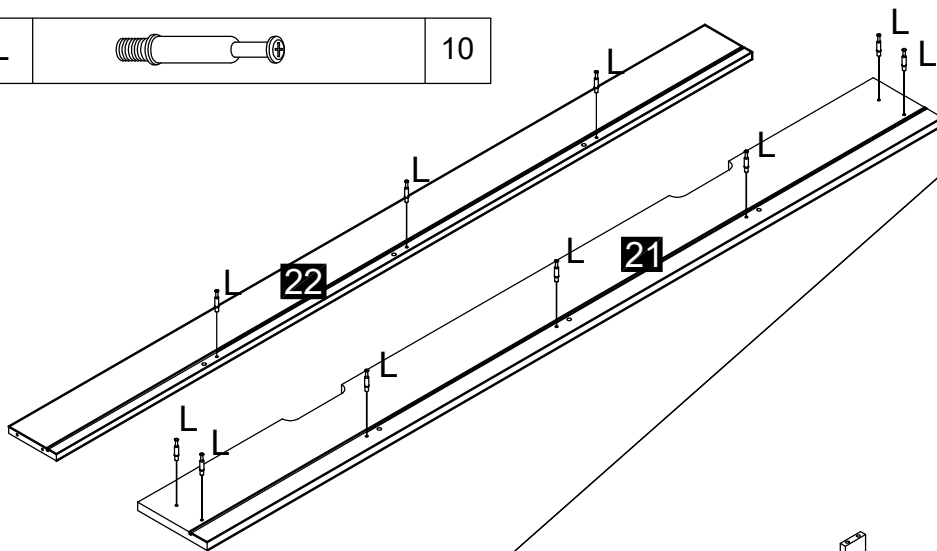
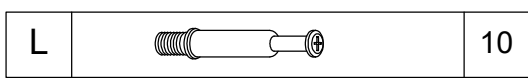
STEP:8



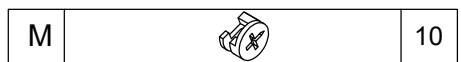
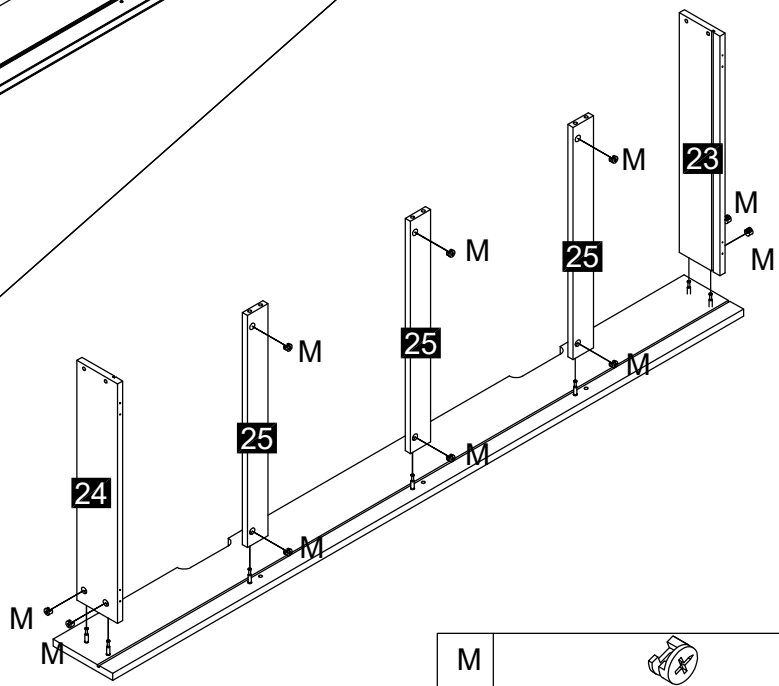
STEP:9



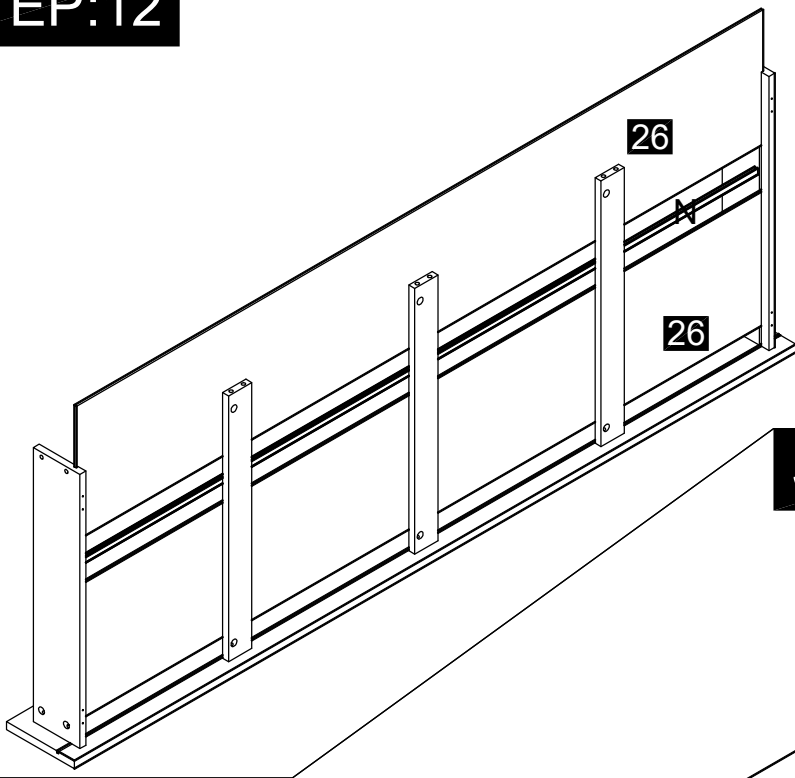
STEP:10



STEP:11

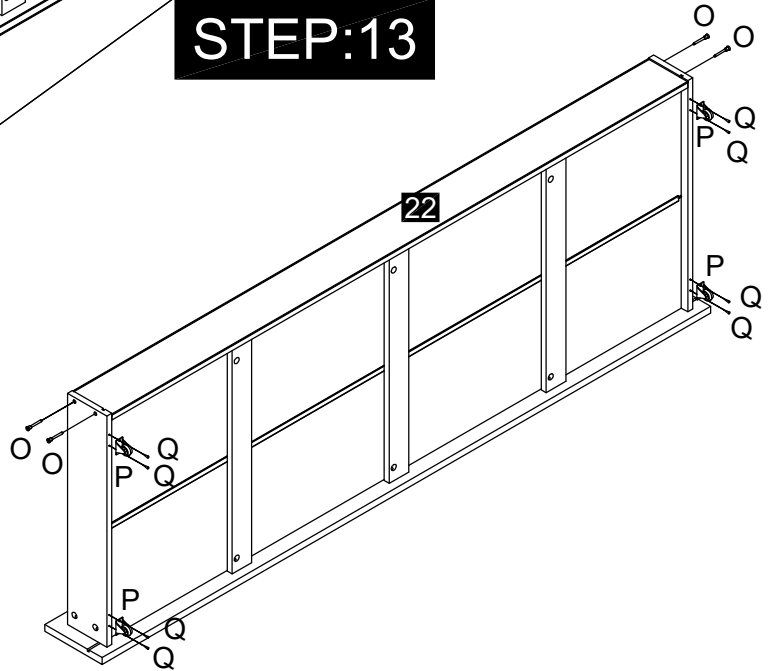





STEP:12



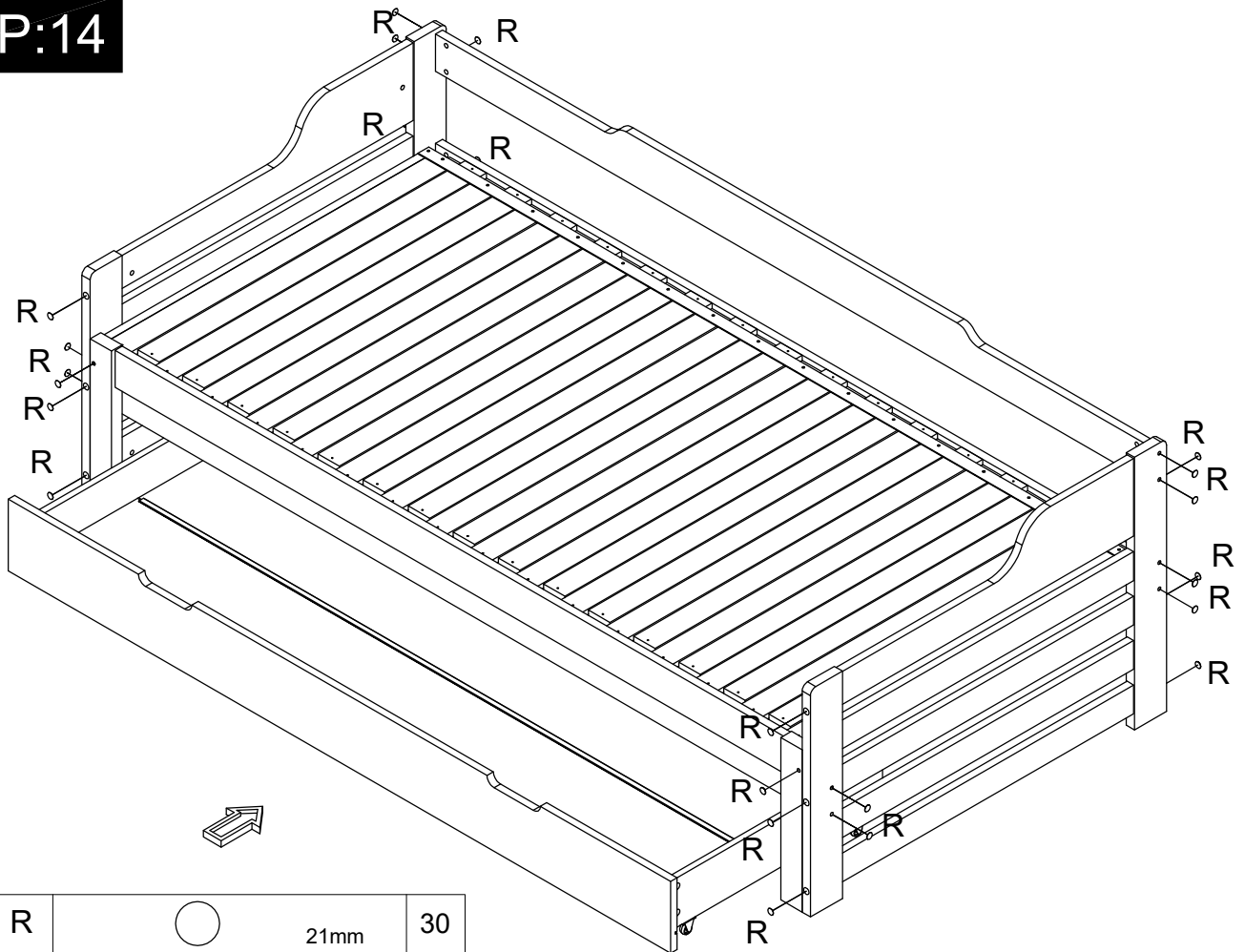
| | | | |
|---|---|--------|---|
| N |  | 1755mm | 1 |
|---|---|--------|---|


STEP:13



| | | | |
|---|---|-------|---|
| O |  | Φ7*50 | 4 |
| P |  | 35mm | 4 |
| Q |  | 3*16 | 8 |

STEP:14



| | | | |
|---|---|------|----|
| R |  | 21mm | 30 |
|---|---|------|----|