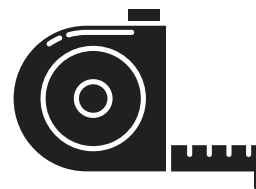
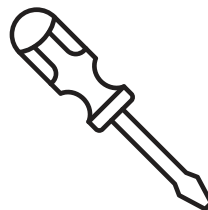
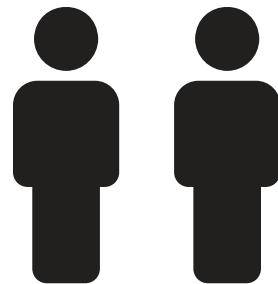
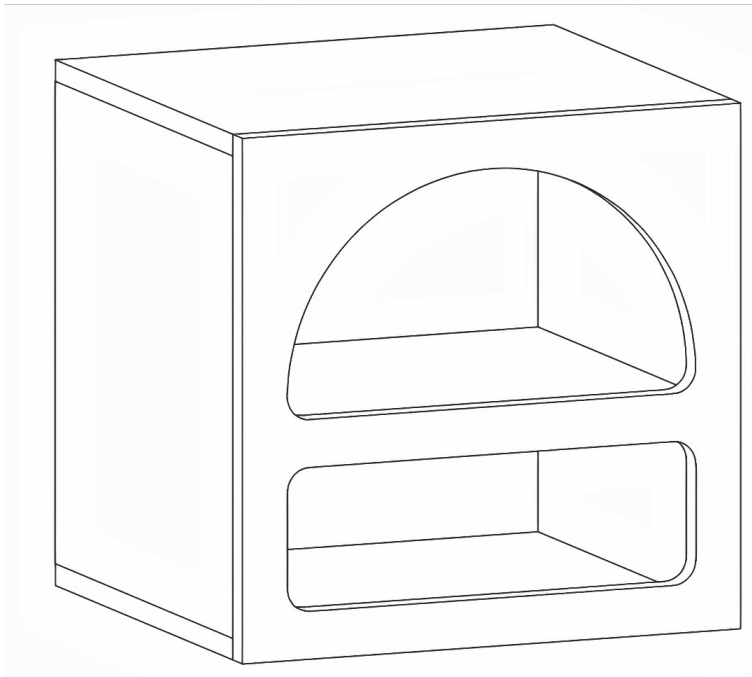
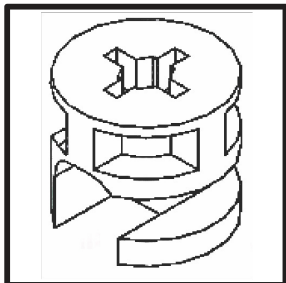


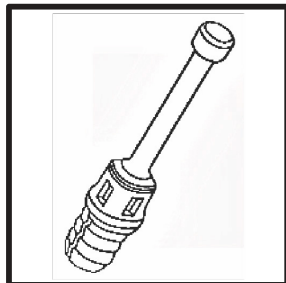
LORIN NIGHTSTAND



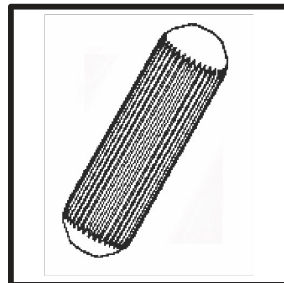
A*12



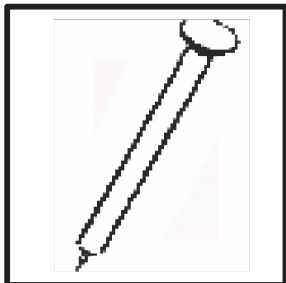
B*12

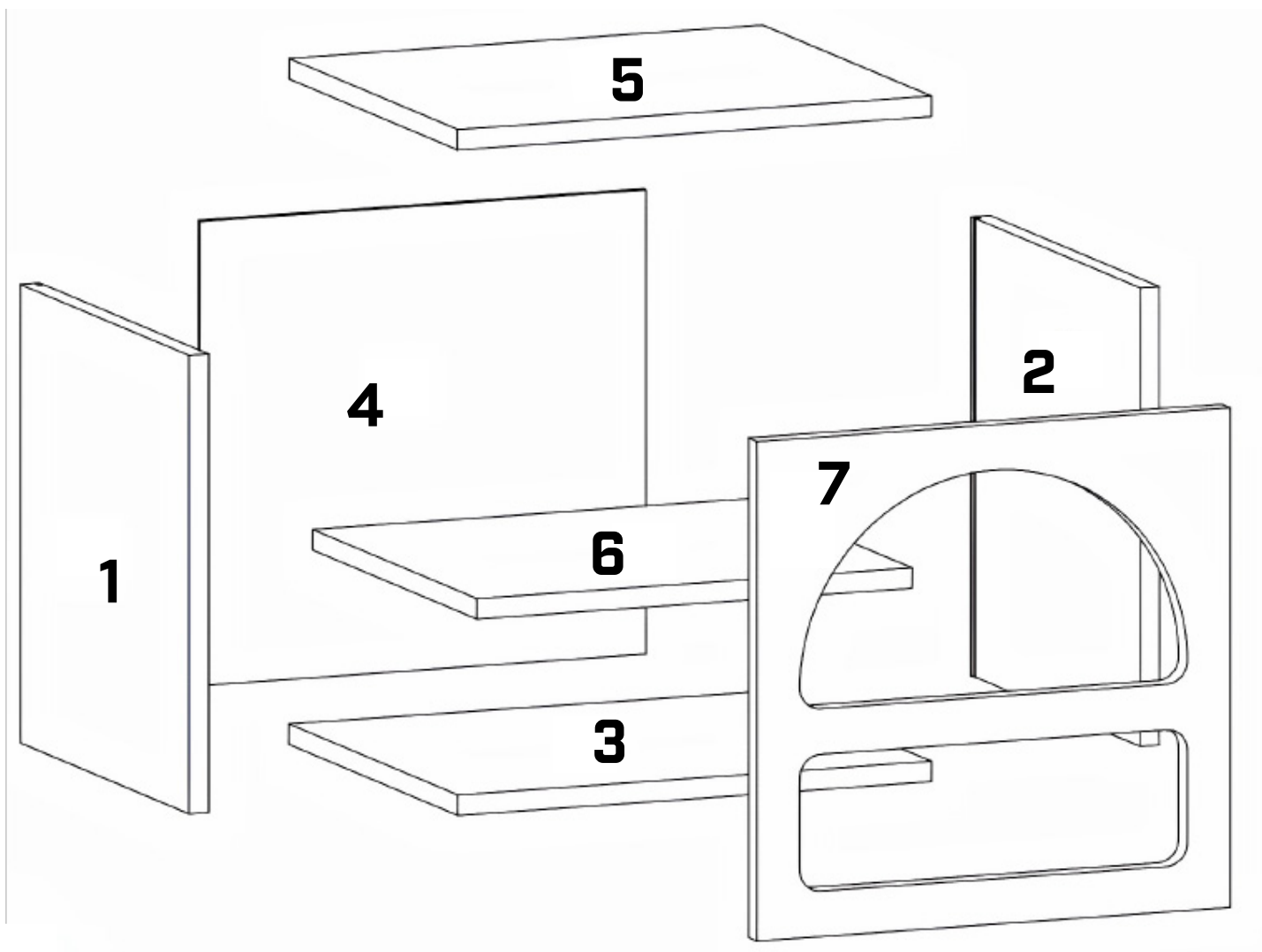


C*12



L*5





MATERIAL DIMENSIDN INFDRMATIDN

- 1) 464*380 18MM LEFT PANEL**
- 2) 464*380 18MM RIGHT PANEL**
- 3) 500*380 18MM BOTTOM PANEL**
- 4) BACKREST**
- 5) 500*380 18MM TOP PANEL**
- 6) 464*365 18MM FIXED SHELF 7)**
- 500*500 18MM LORIN COVER**

