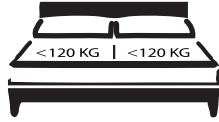
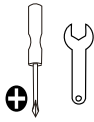




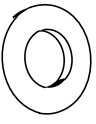
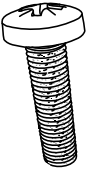
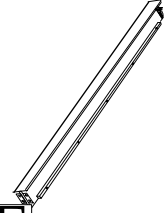

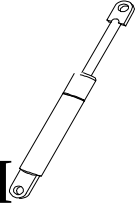
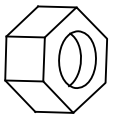
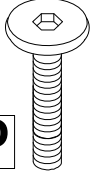

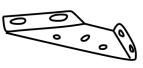
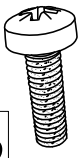
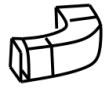


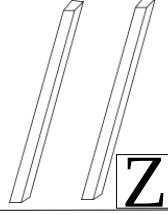
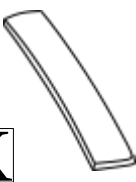
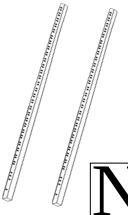
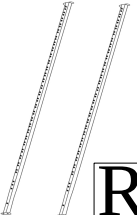
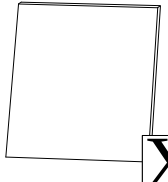
60 min

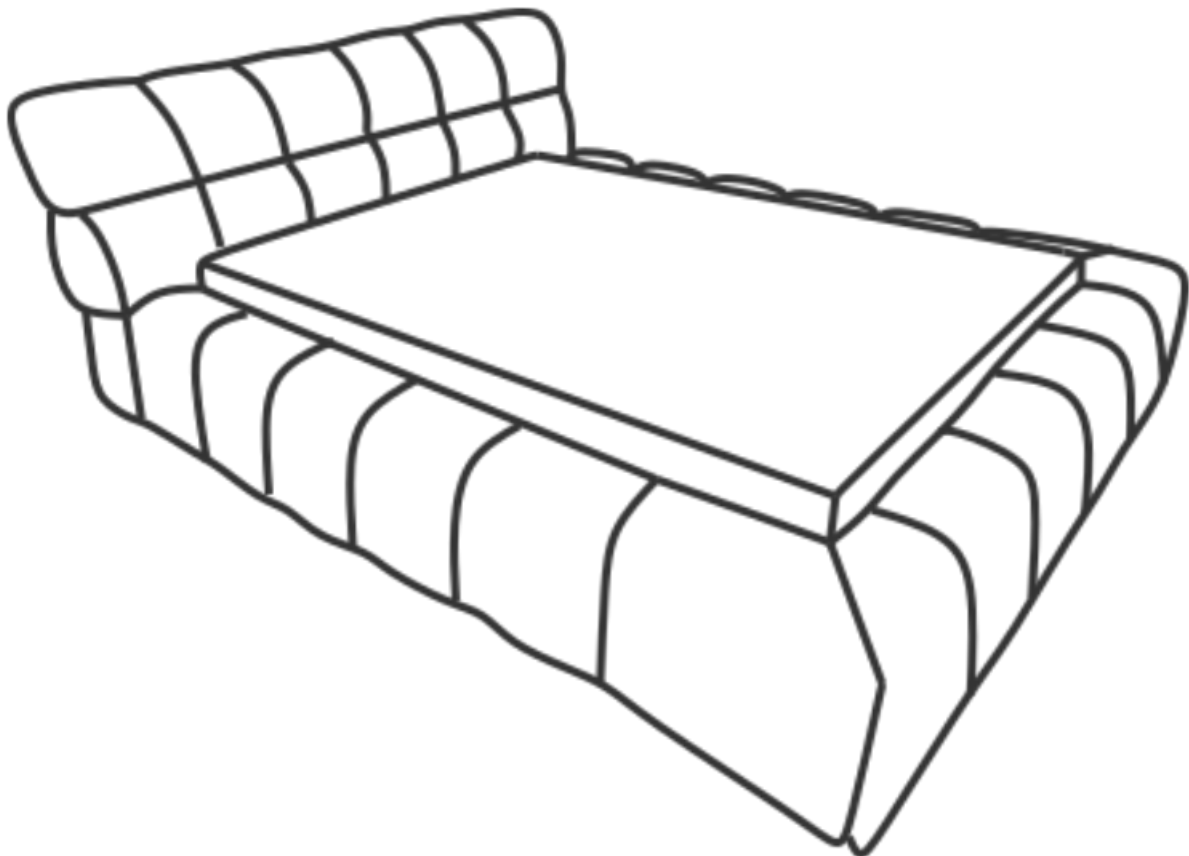


FORVIK

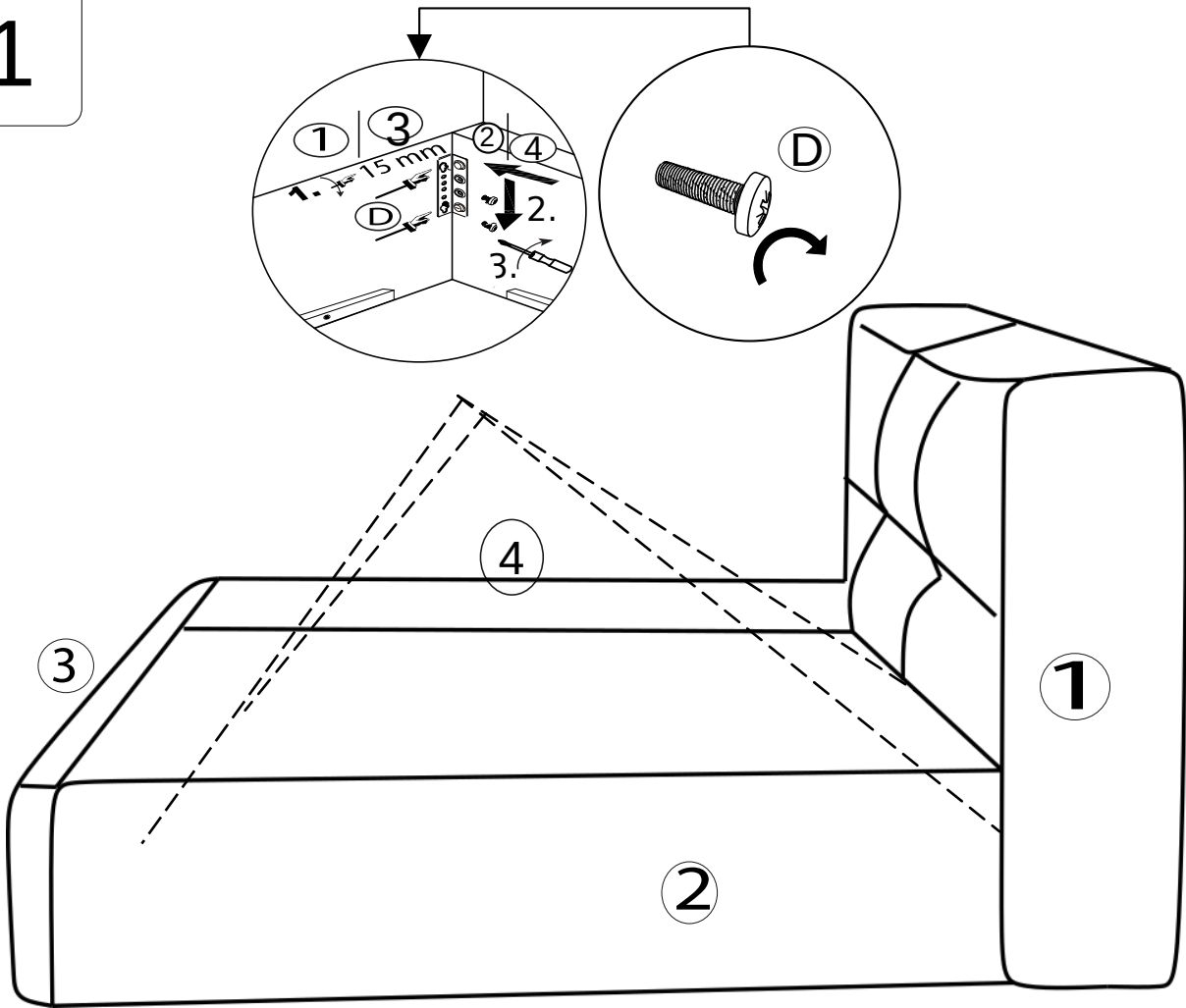
160x200

180x200

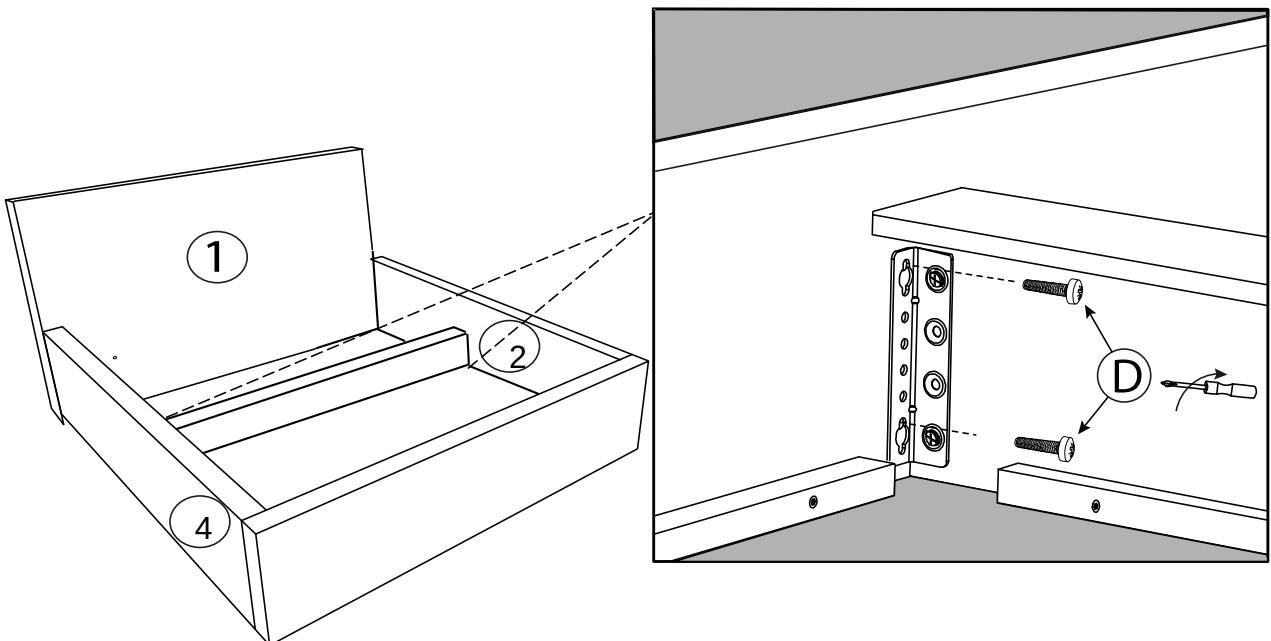
 Y	 D M6*25	 E	 LL/LR	 M	 S	 P
6	12	1	1/1	2	14	14
 T	 A	 B M8*15	 H	 I	 J	 Z
1	4	24	4	34	34	2
 K	 N	 R	 X			
51	2	2	2			



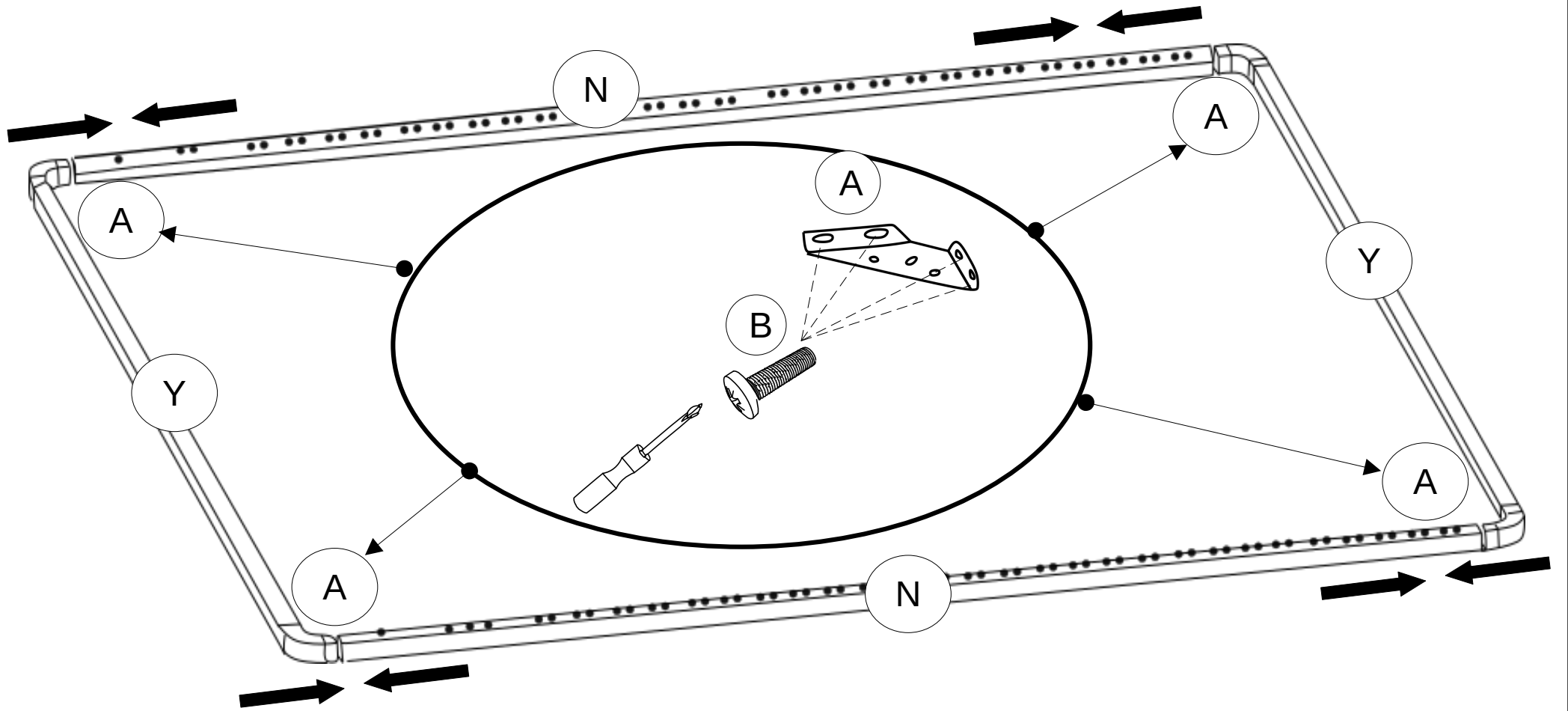
1



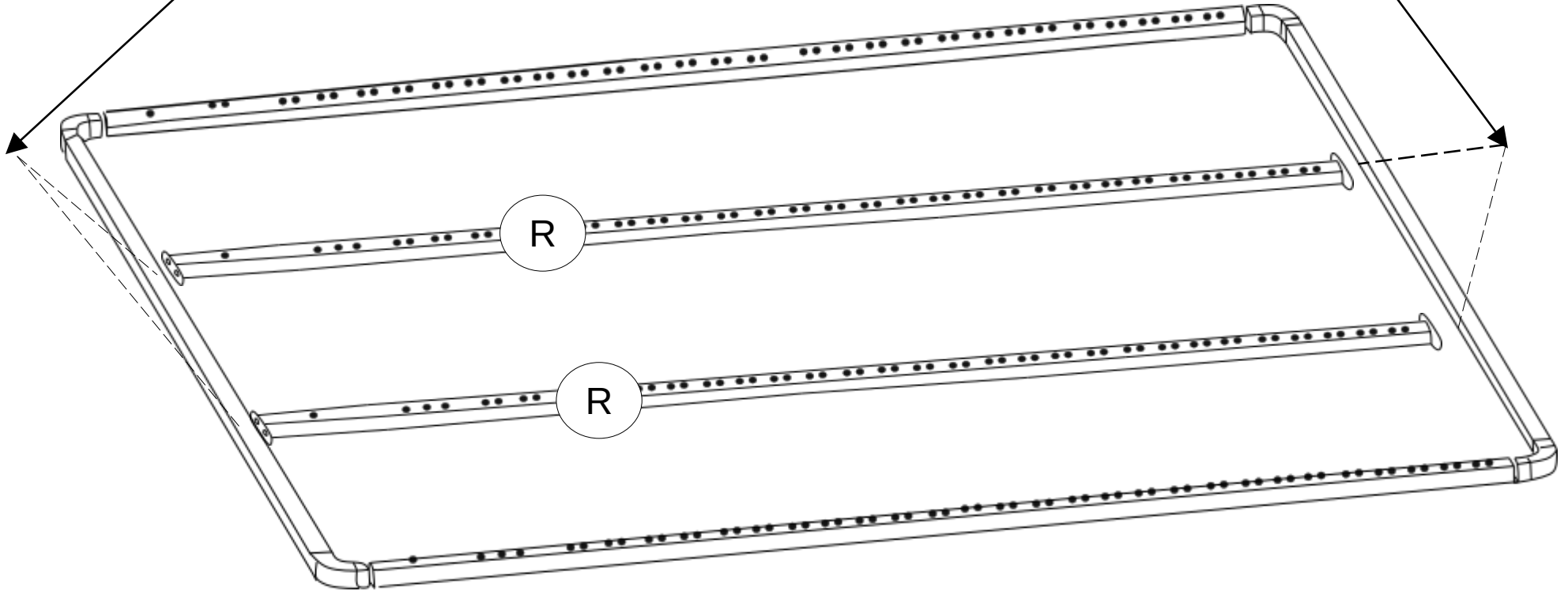
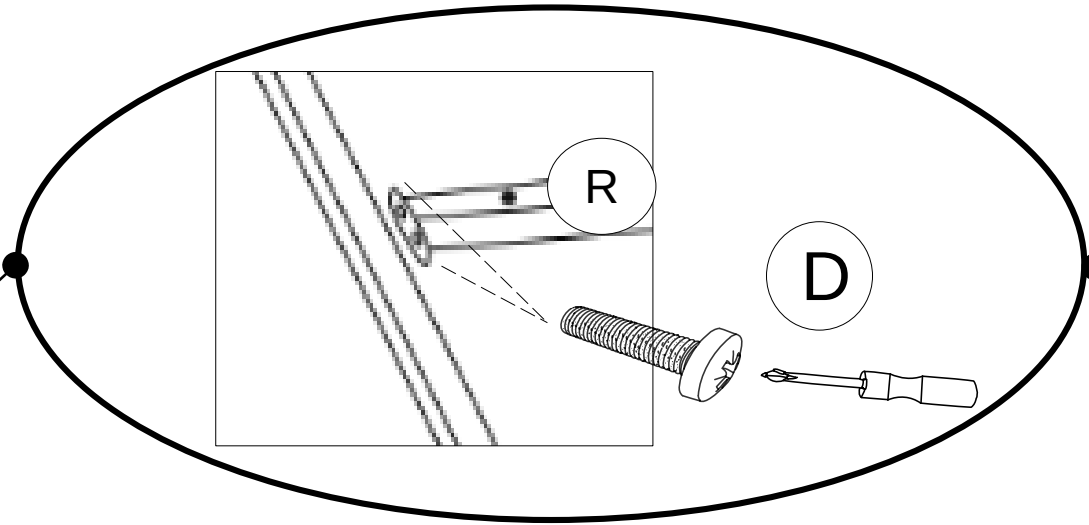
2



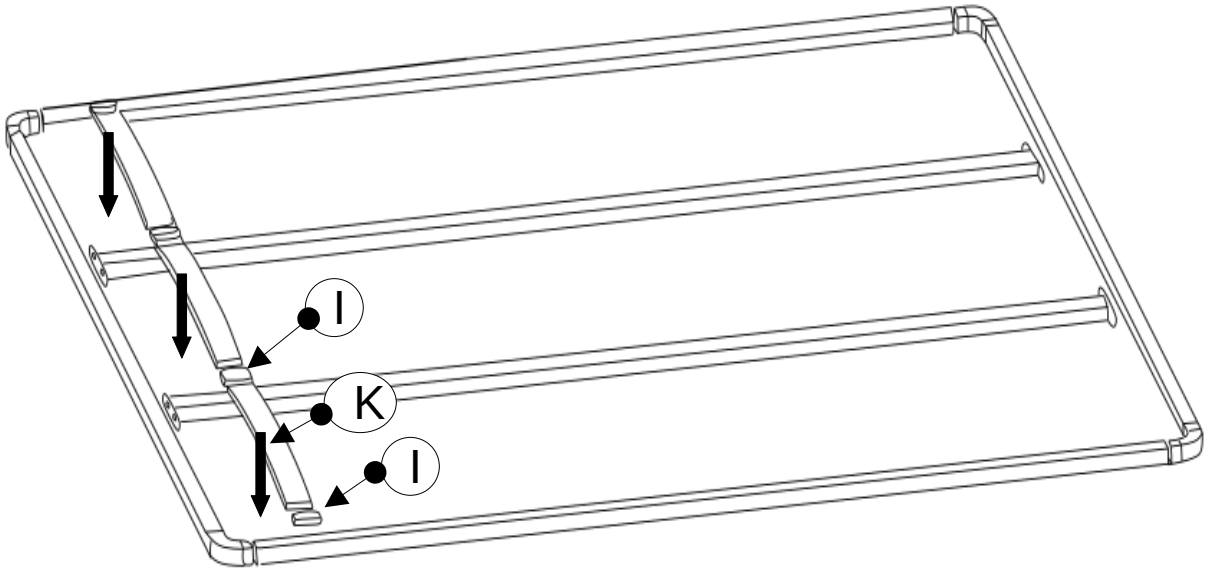
3



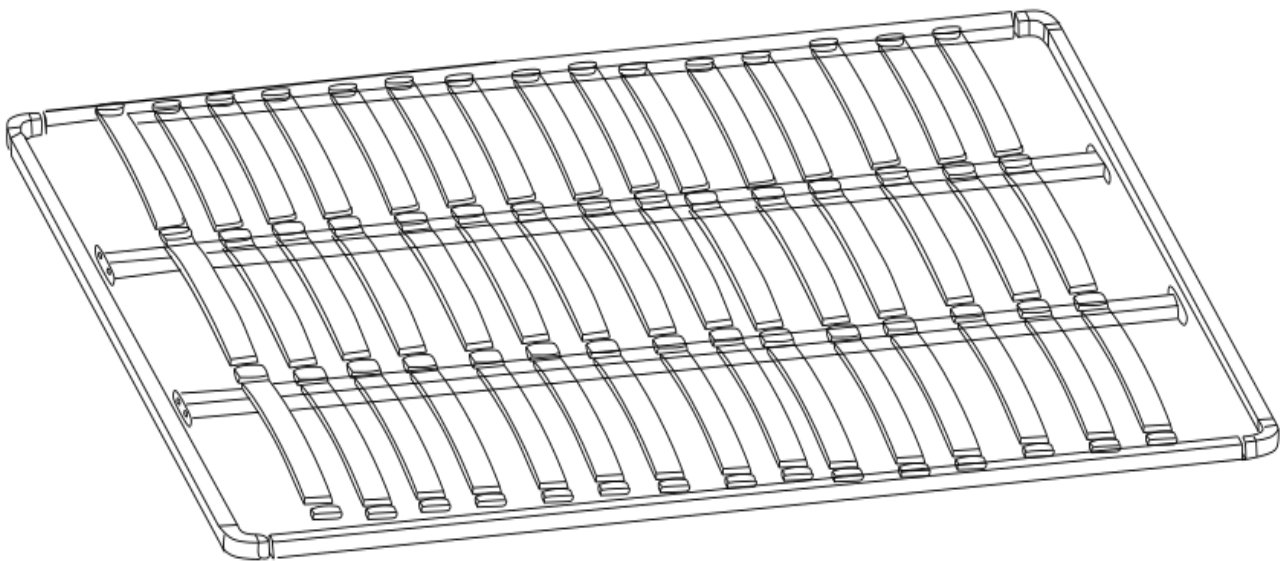
4



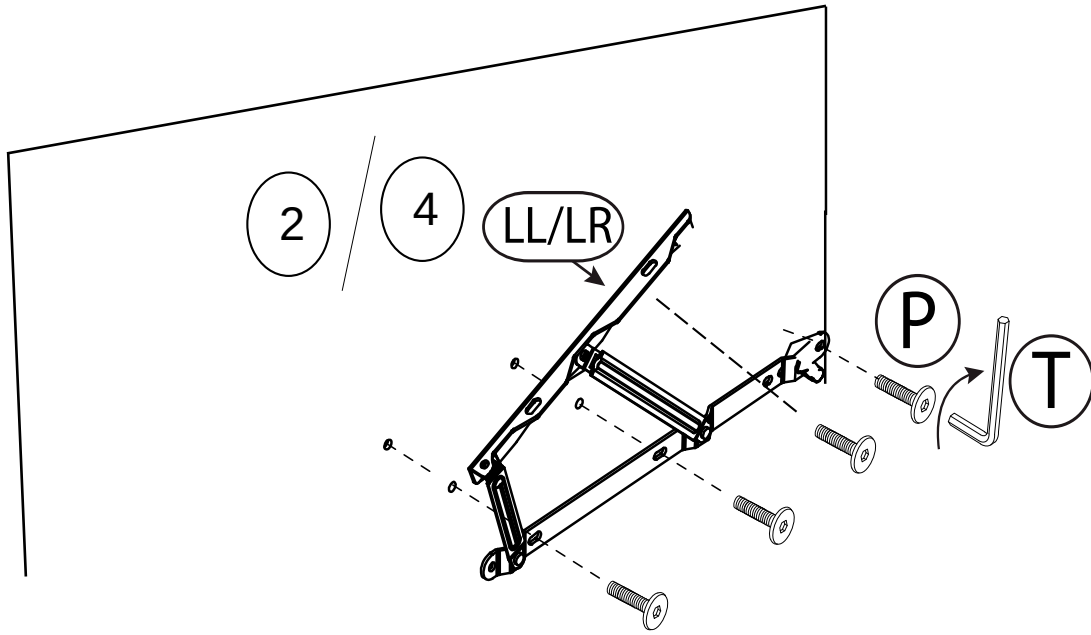
5



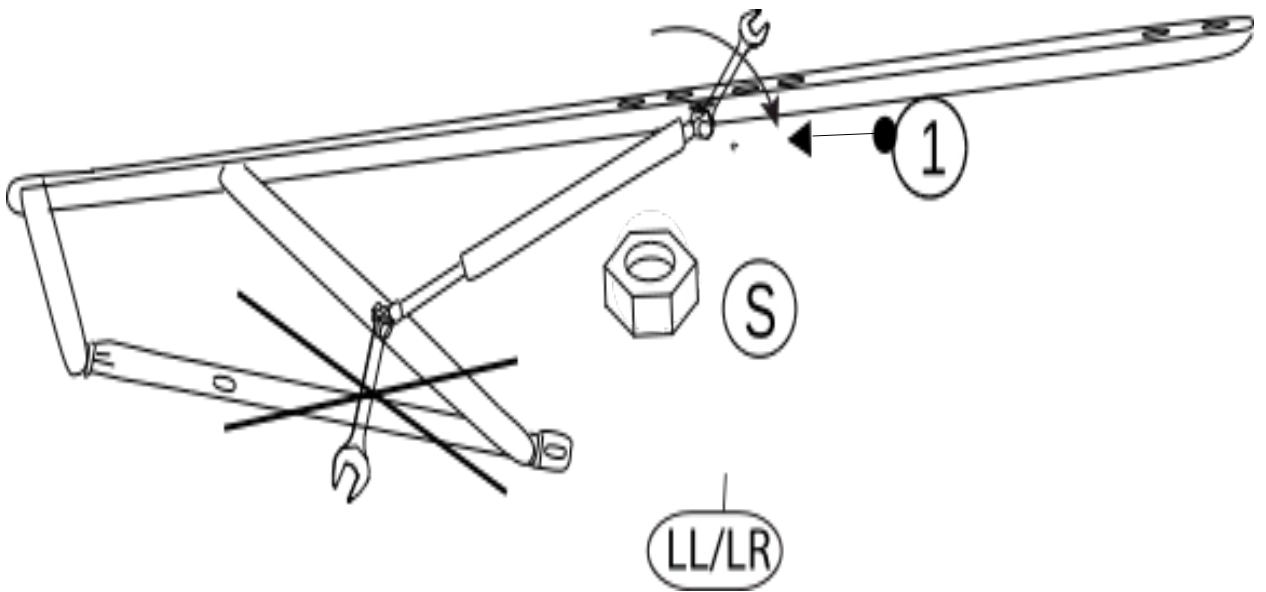
6



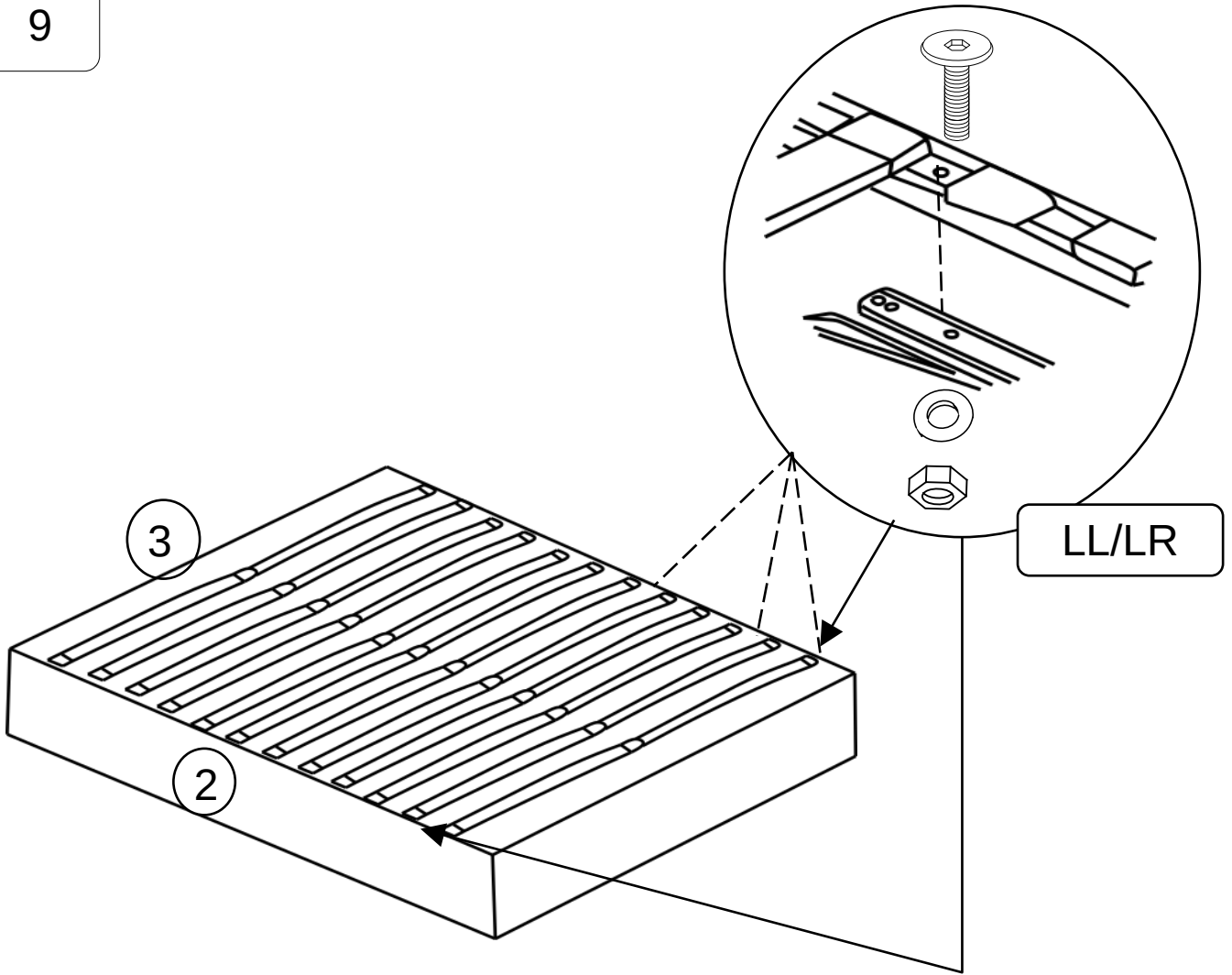
7



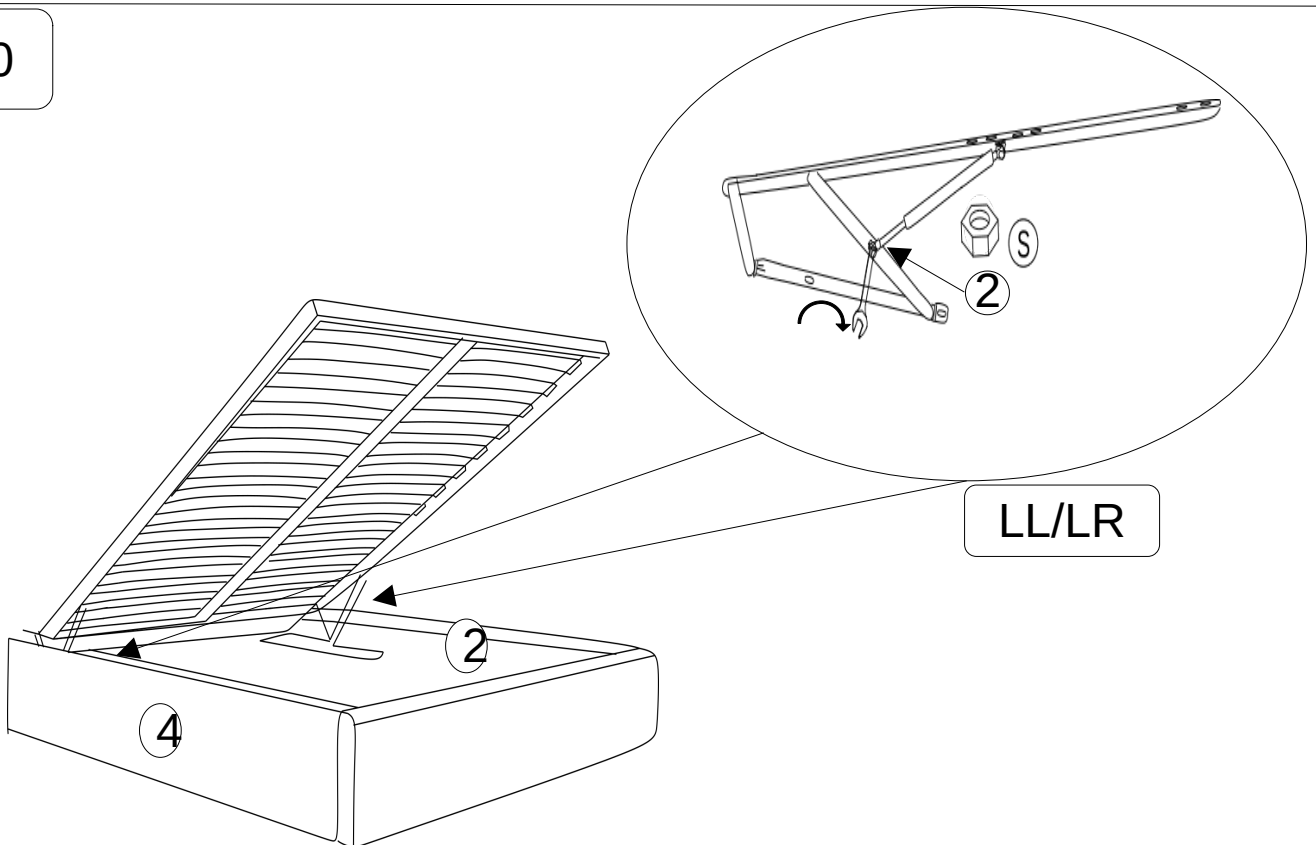
8



9



10



11

