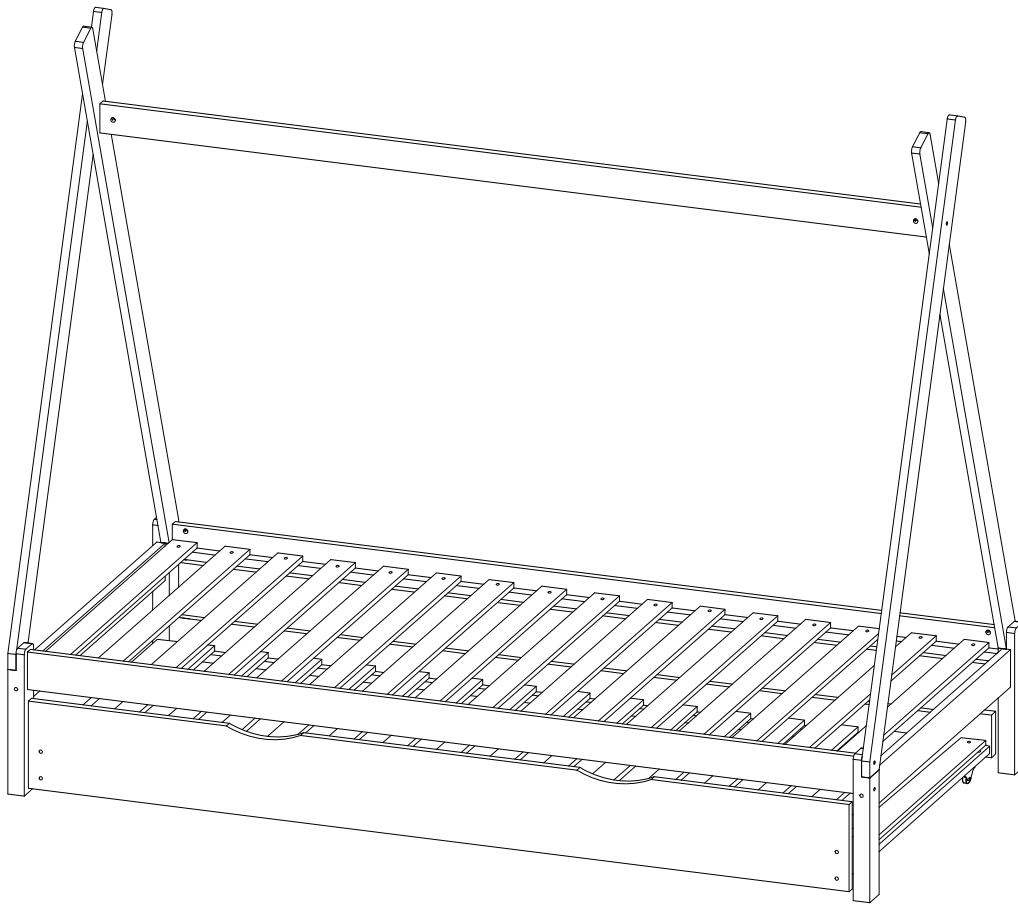
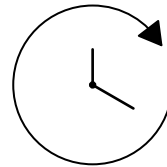
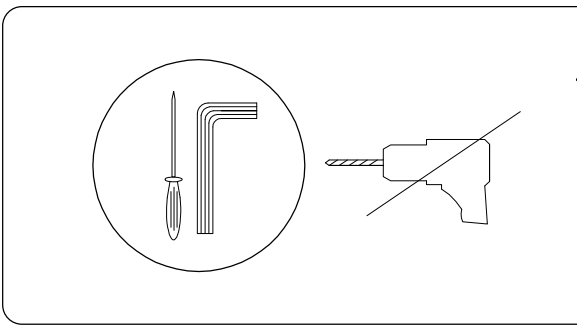
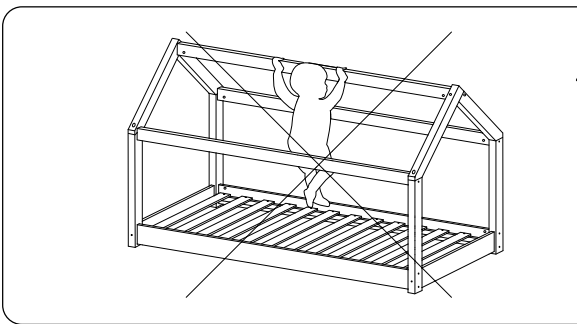
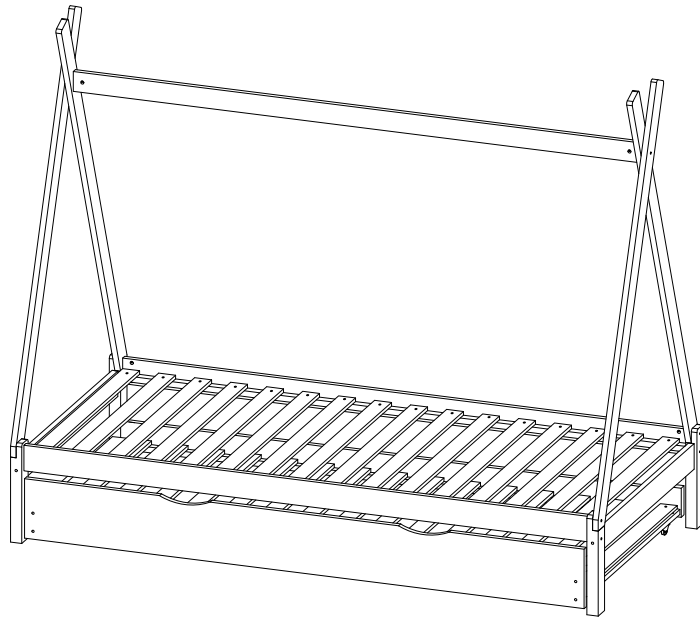
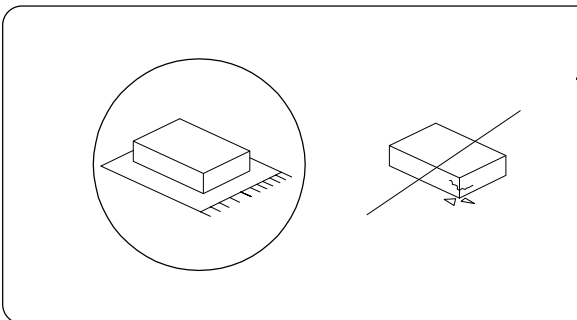


TALMONTIERS

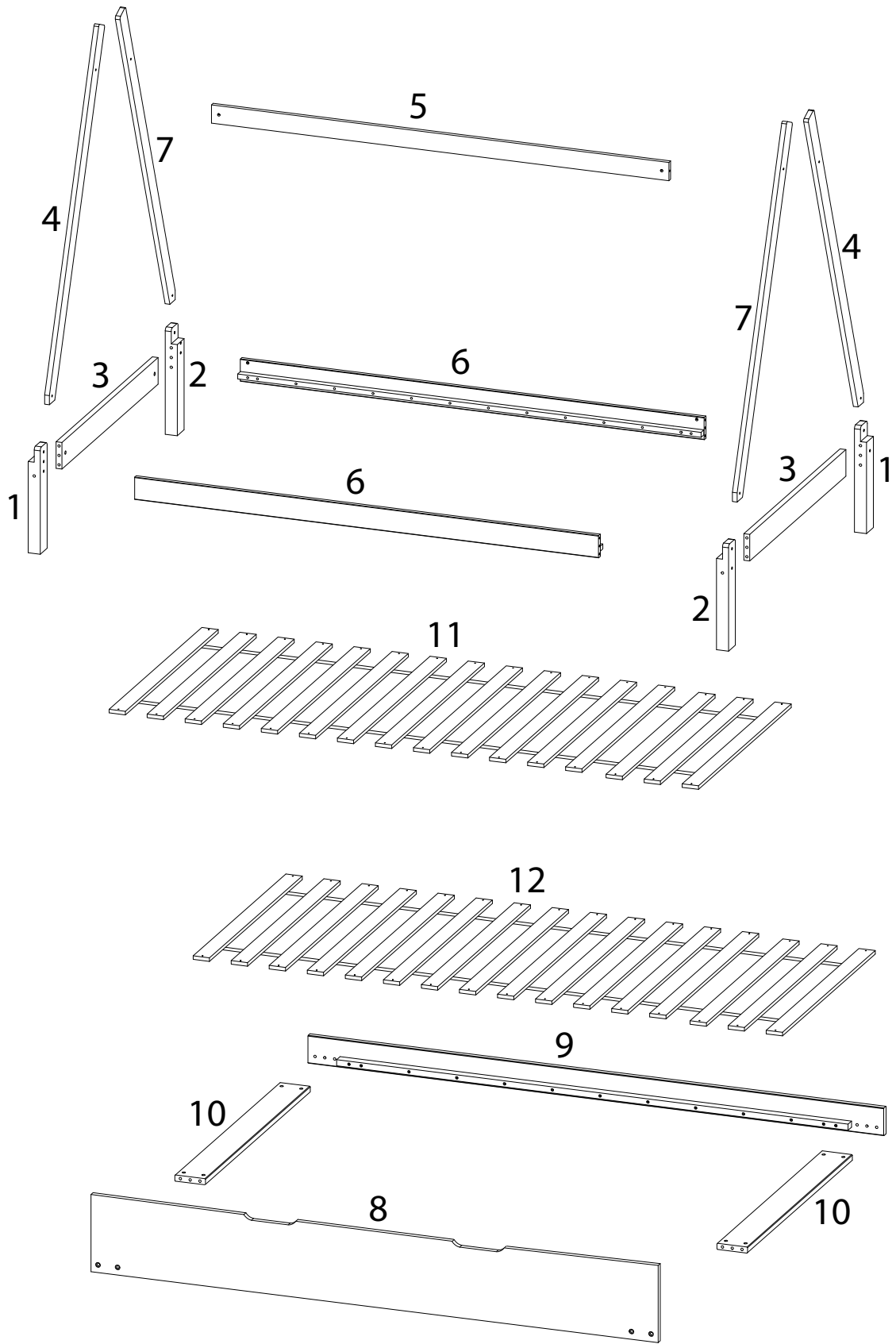




30'



2



1



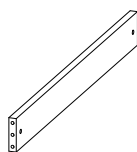
x 2

2



x 2

3



x 2

4



x 2

5



x 1

6



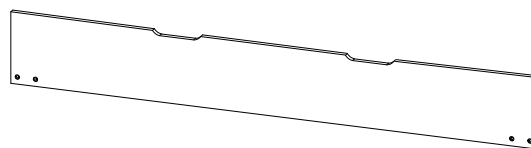
x 2

7



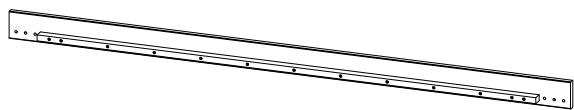
x 2

8



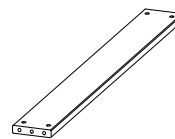
x 1

9



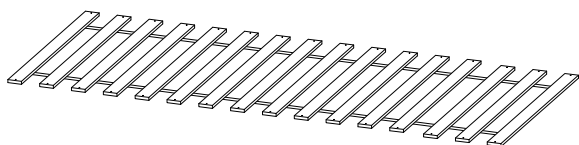
x 1

10



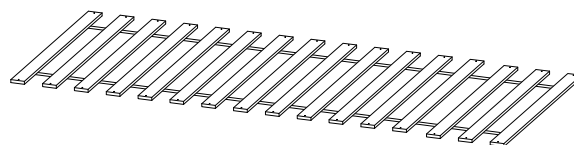
x 2

11

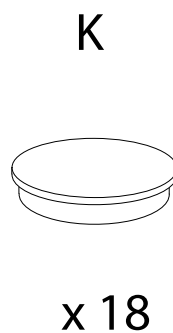
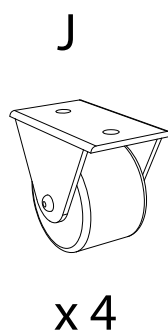
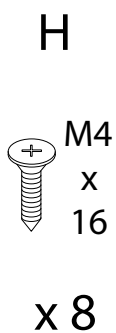
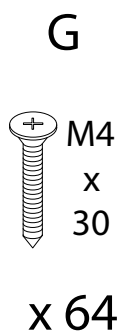
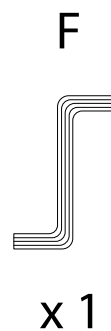
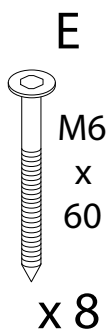
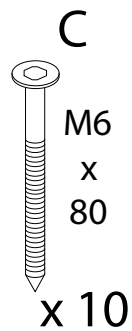
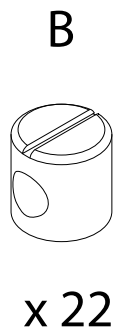
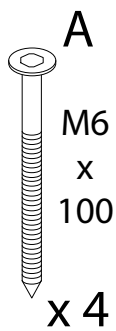


x 1

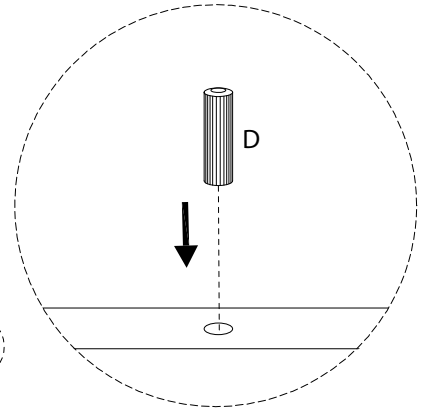
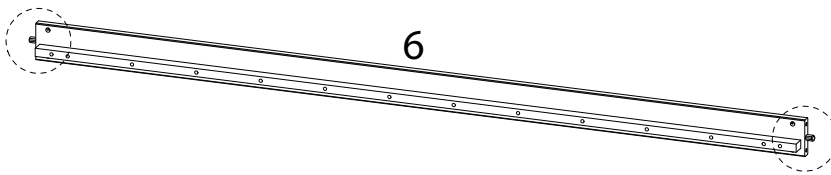
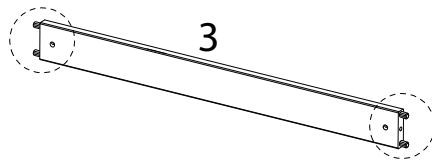
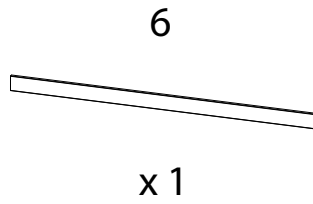
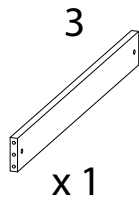
12



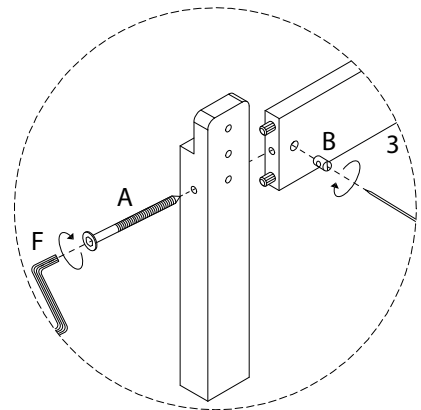
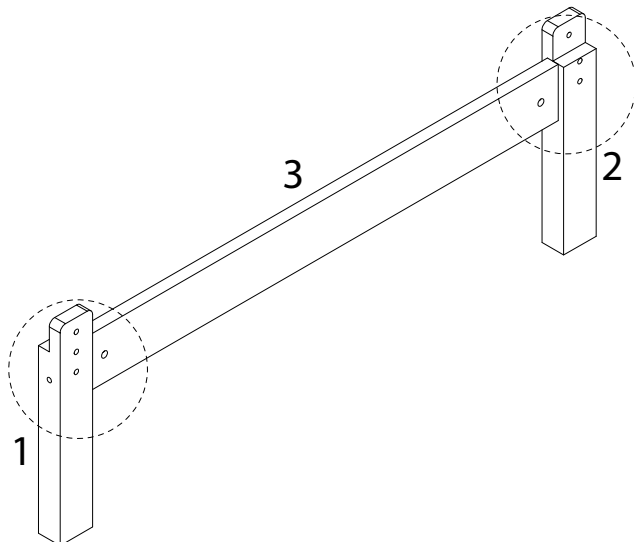
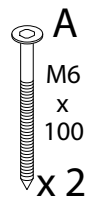
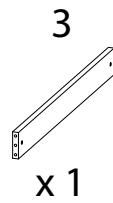
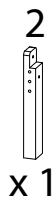
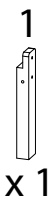
x 1



1 x 2



2 x 2



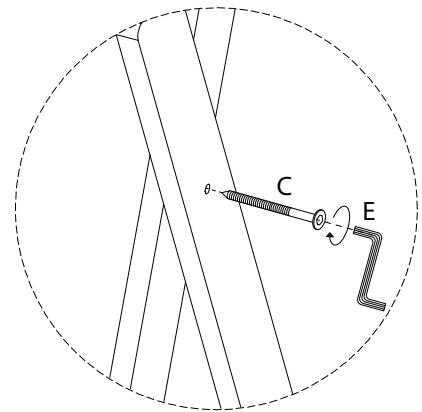
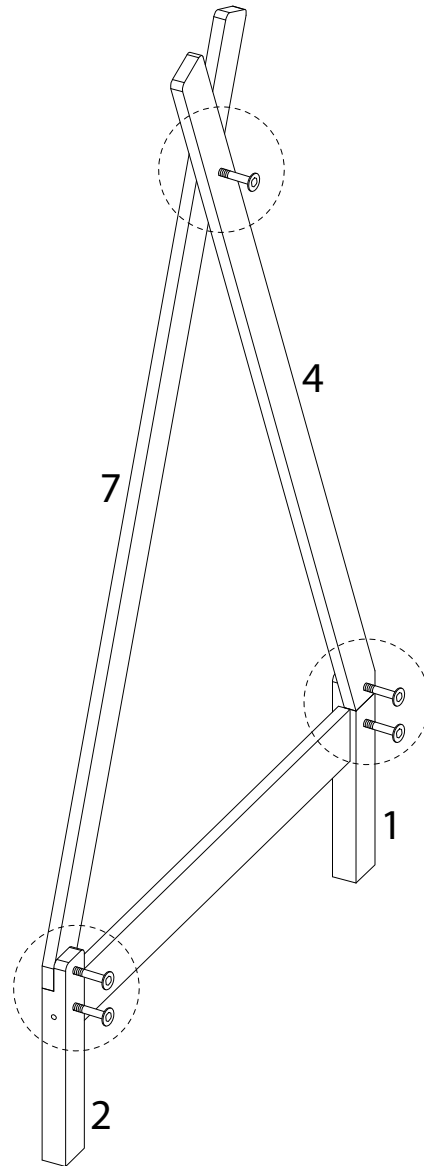
3 x 2

4
x 1

7
x 1

C
M6
x
80
x 5

F
x 1



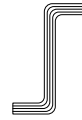
4

B

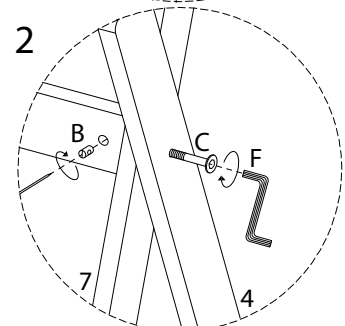
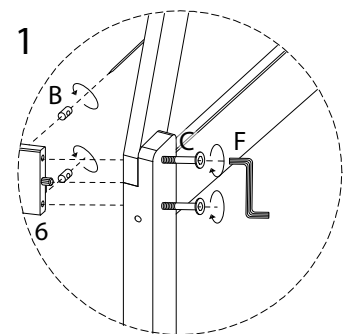
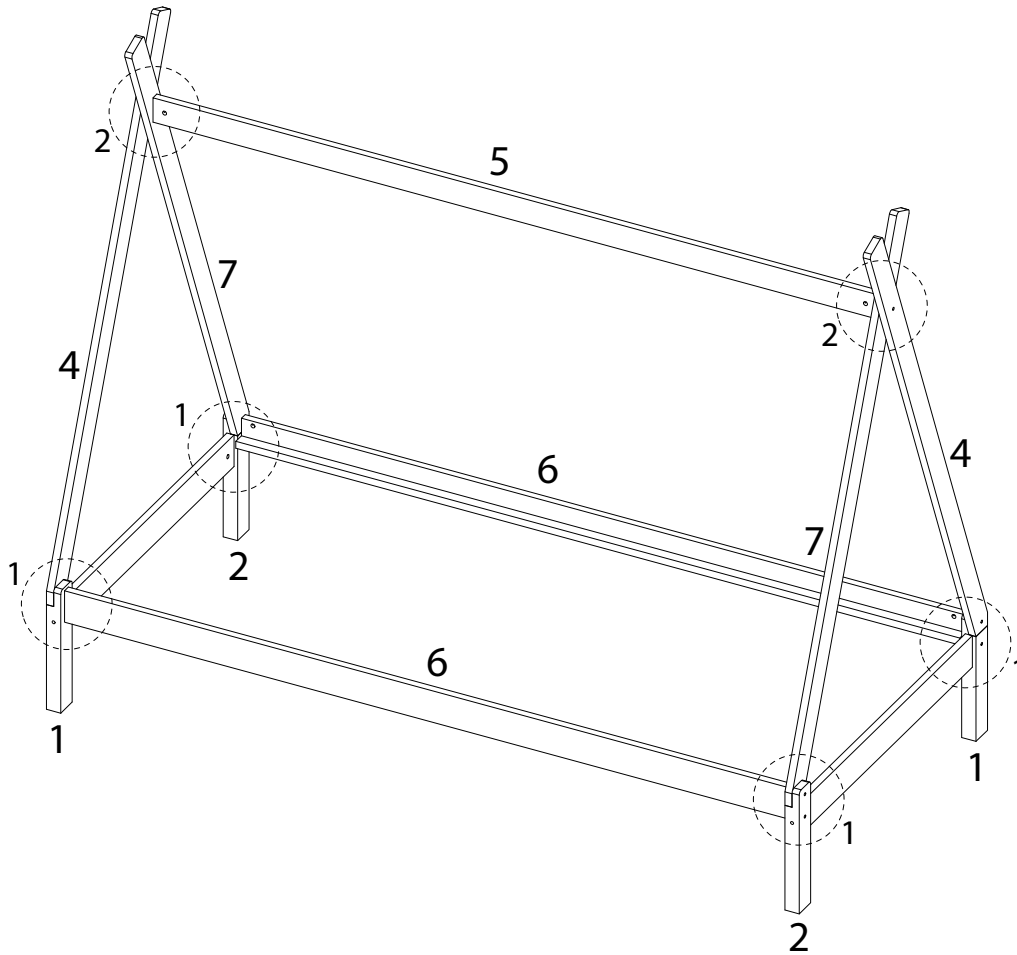


x 10

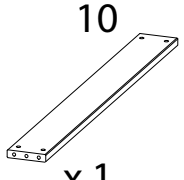



F

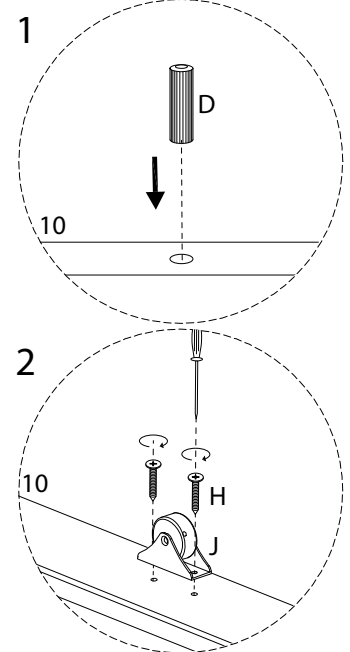
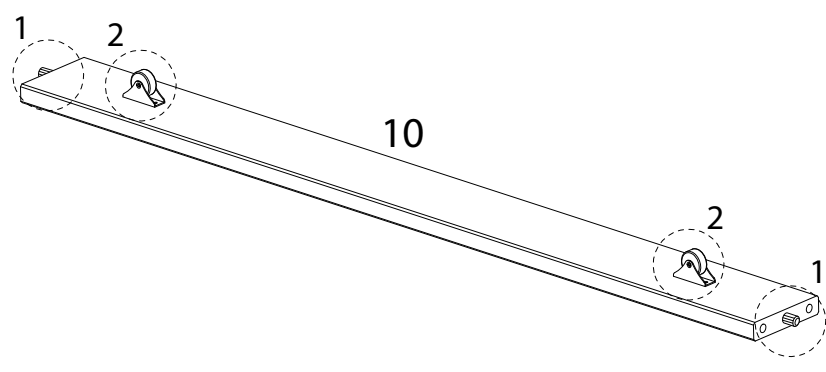


x 1

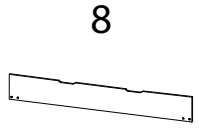
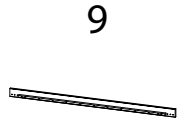

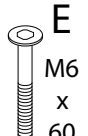
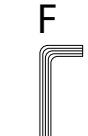


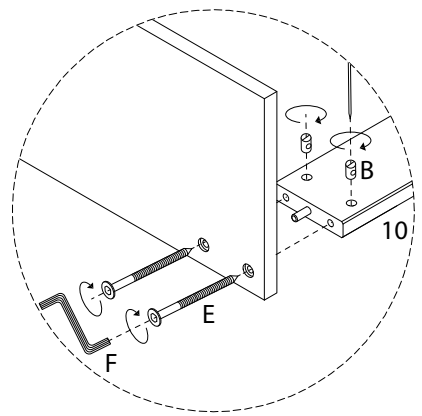
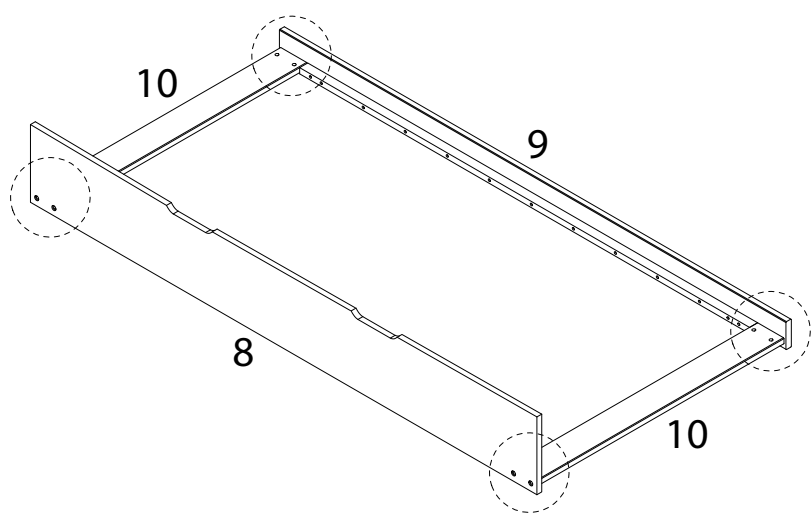
5 x 2

 <p>10 x 1</p>	 <p>D x 2</p>	 <p>J x 2</p>	 <p>H M4 x 16 x 4</p>
---	--	---	--

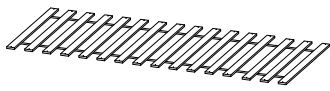
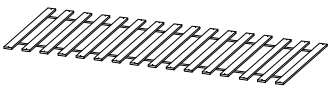
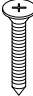


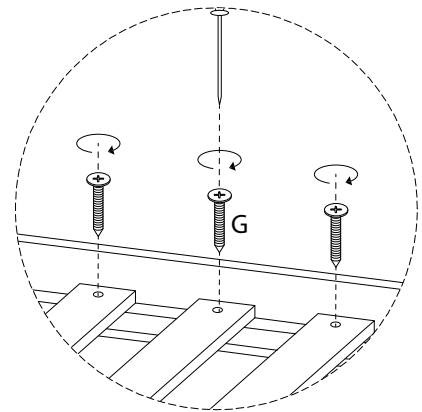
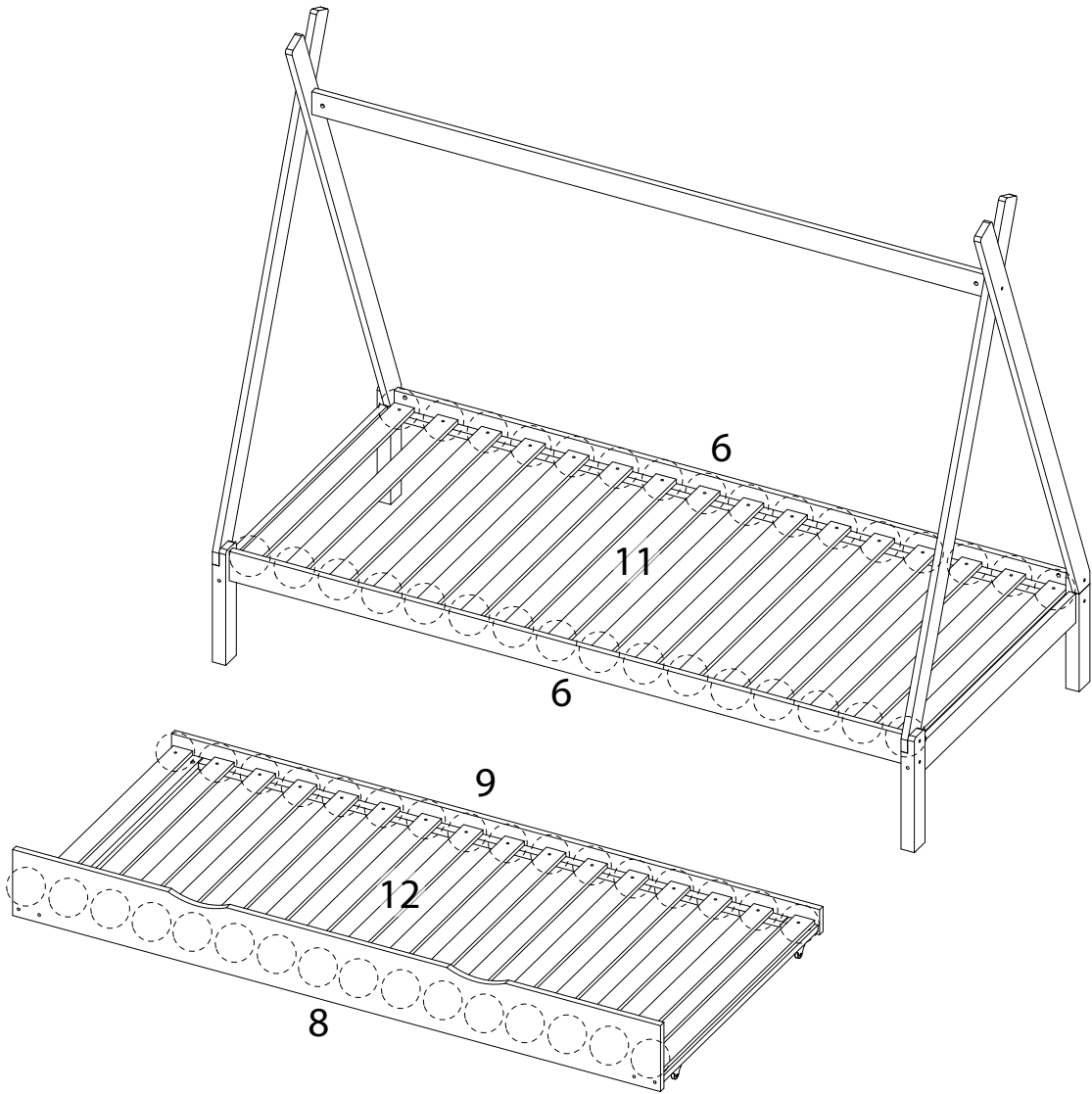
6

 <p>8 x 1</p>	 <p>9 x 1</p>	 <p>B x 8</p>	 <p>E M6 x 60 x 8</p>	 <p>F x 1</p>
--	--	--	--	--



7

11  x 1	12  x 1	G  M4 x 30 x 64
--	---	---

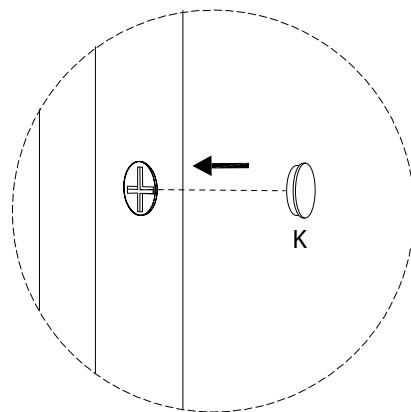


8

K



x 18



9

