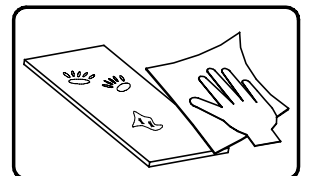
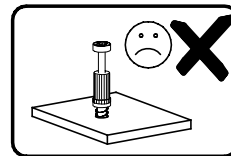
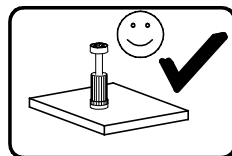
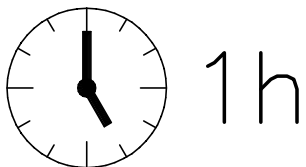
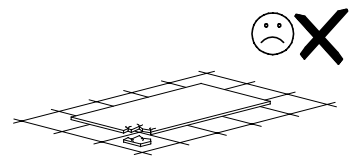
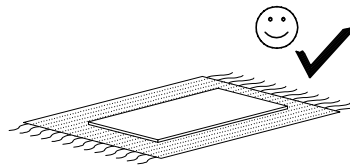
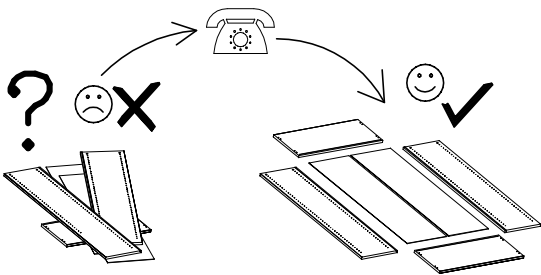
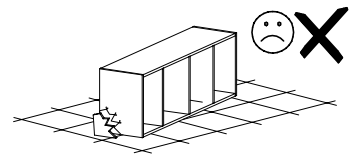
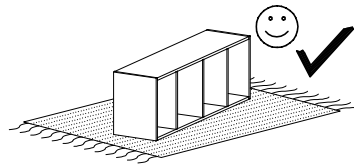
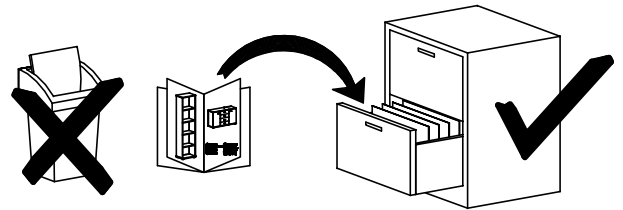
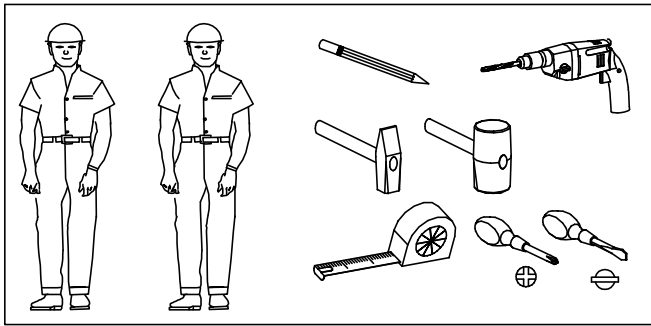
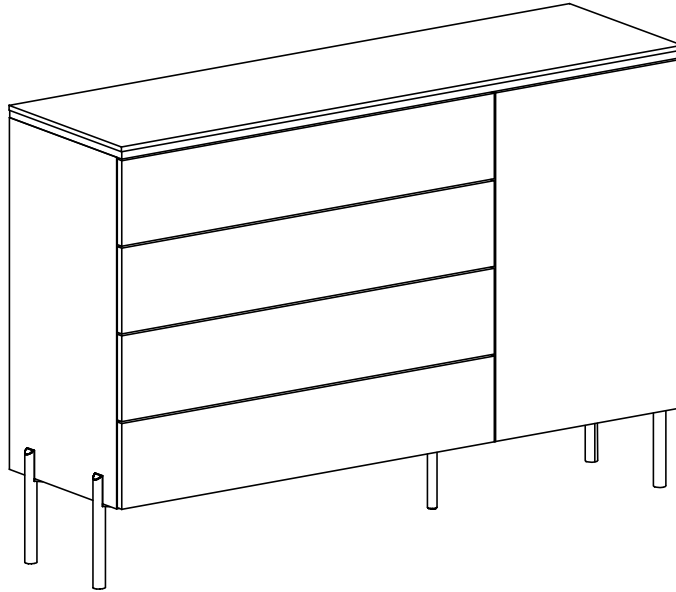
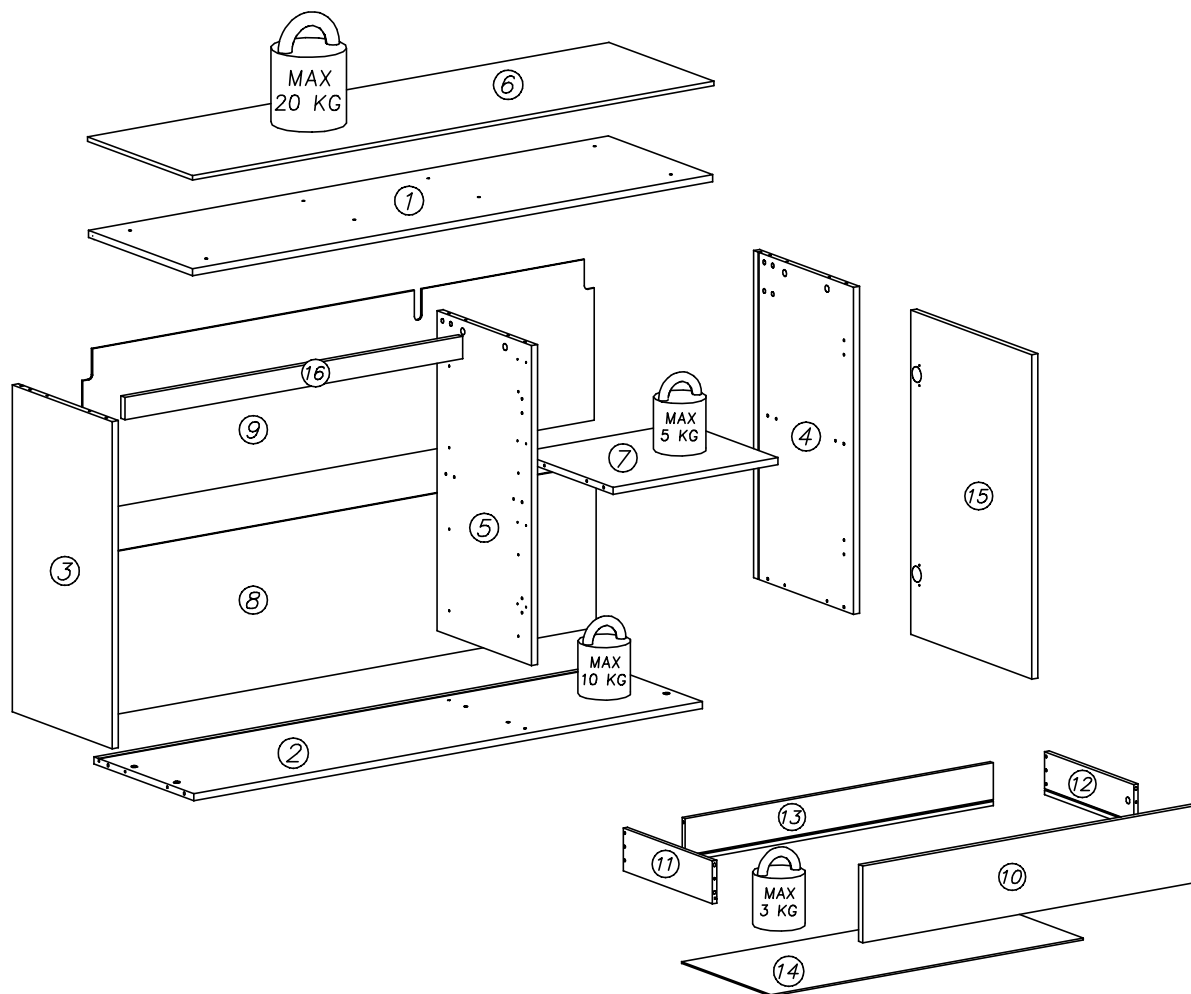
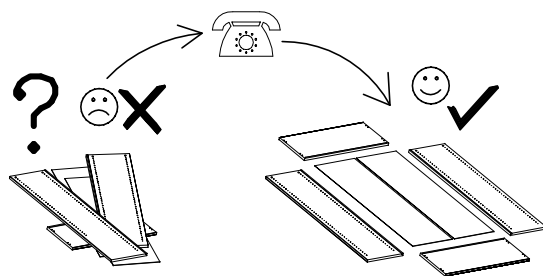
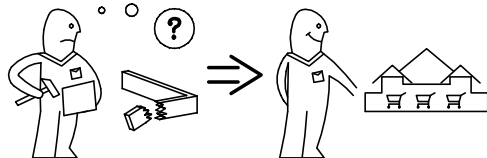
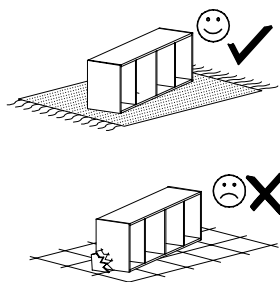


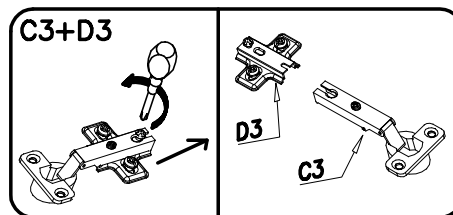
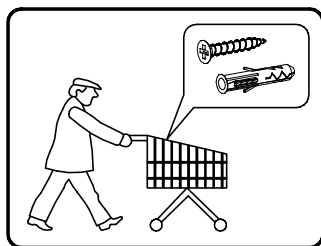
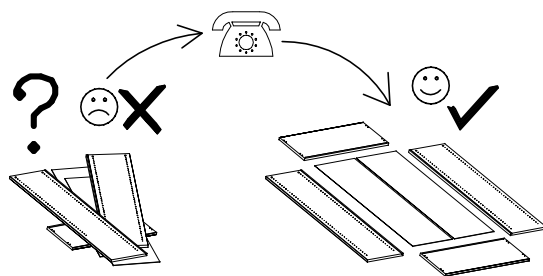
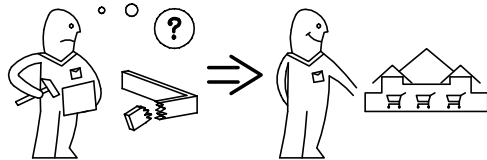
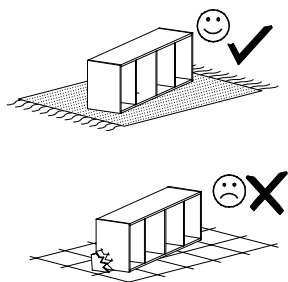
AURORA komoda 1D4S noga



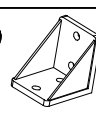

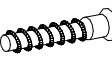
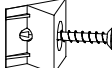
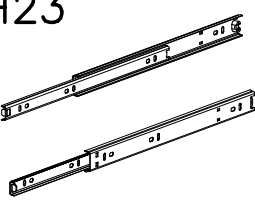


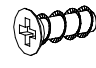
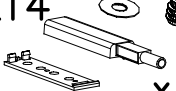
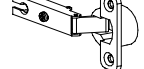
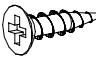


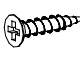

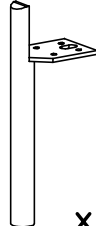



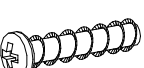

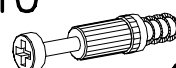
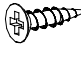
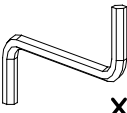
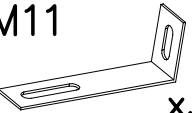





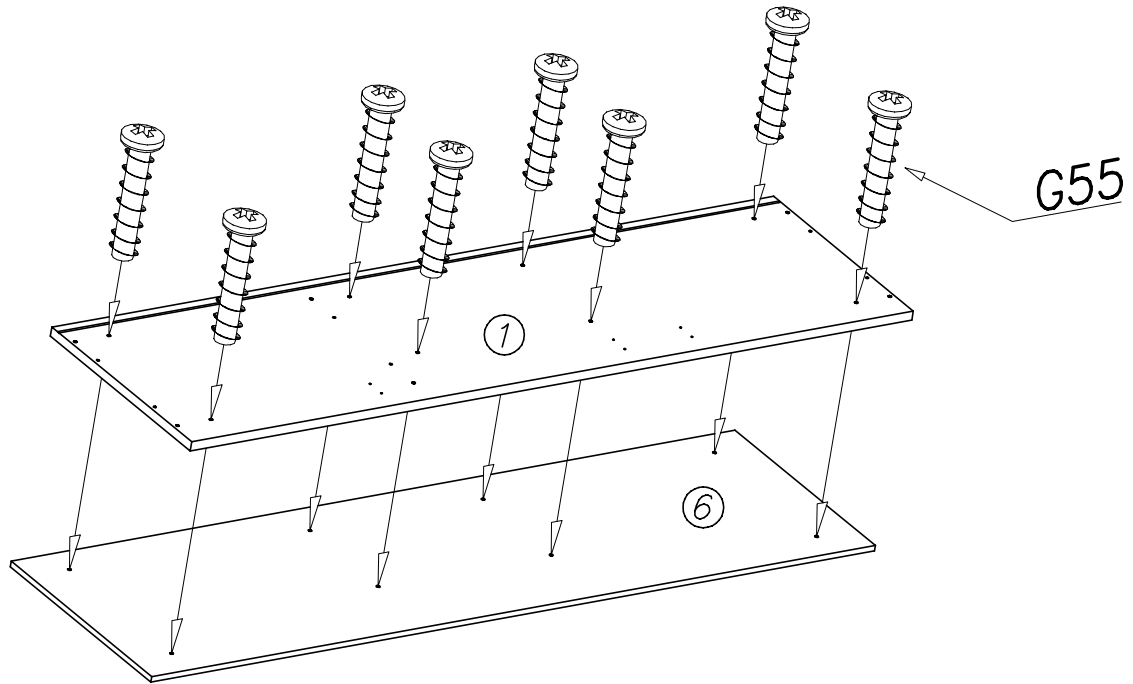
nr	L[mm]	B[mm]	T[mm]	Menge	Colli
1	1372	394	16	1	2/3
2	1342	377	16	1	2/3
3	734	377	16	1	1/3
4	734	377	16	1	1/3
5	718	357	16	1	2/3
6	1376	396	10	1	2/3
7	434	357	16	1	2/3
8	364	1354	3	1	2/3

nr	L[mm]	B[mm]	T[mm]	Menge	Colli
9	364	1354	3	1	2/3
10	914	179	16	4	1/3
11	350	100	12	4	1/3
12	350	100	12	4	1/3
13	847	100	12	4	1/3
14	857	351	3	4	1/3
15	728	455	16	1	1/3
16	890	50	16	1	1/3
Beschlage					1/3

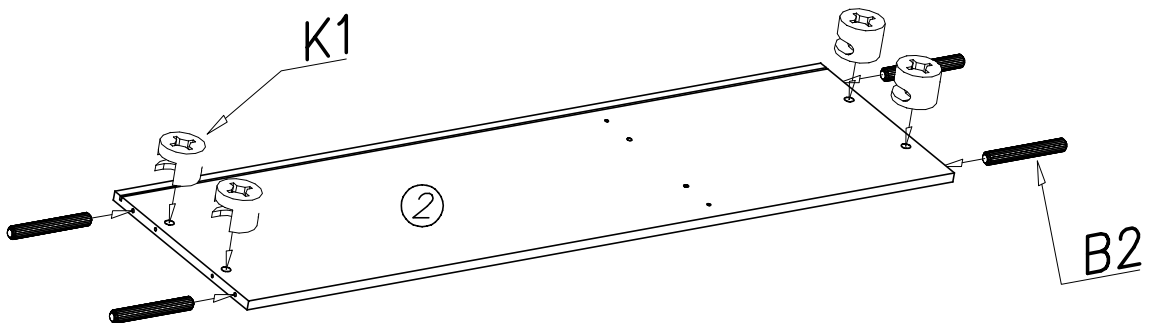
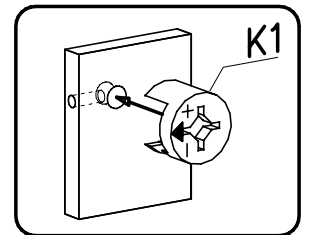
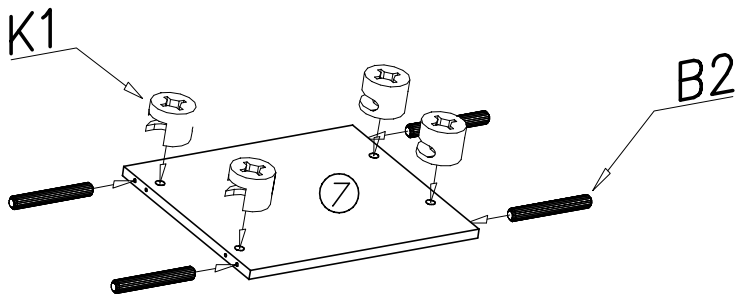
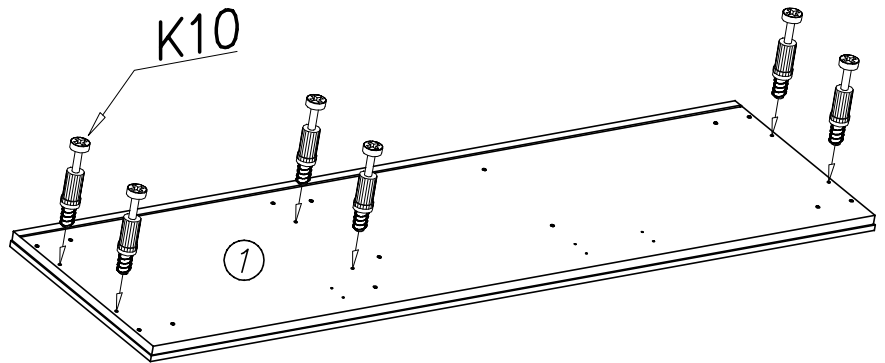
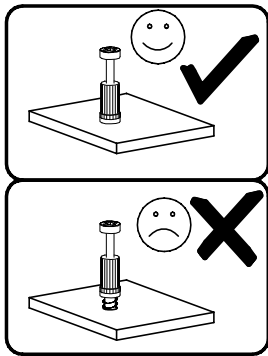


I7  ø18 x...(14)	W1  GLUE, LEIM, LEPIDLO, LIM x...(2)			
F15  x...(5)	K4  ø12x10 x...(8)	A6  ø7x40 x...(16)	I1  x...(18)	H23  H27-350mm x...(4)
M8  350mm x...(4)		S1  893mm x...(1)	G20  5x13 x...(32)	
L14  x...(9)	C3  Z35PR x...(2)	G43  5x20 x...(4)	S13  x...(4)	A1  ø7x50 x...(2)
G57  3,5x16 x...(18)	D3  H=2 PZ35PR x...(2)	P47  x...(4)	P46  x...(1)	G2  3x20 x...(9)
K1  ø15x12 x...(14)	G55  6x22 x...(8)			S2  x...(4)
K10  x...(22)	G4  4x16 x...(53)	W2  x...(1)	M11  x...(1)	B2  ø6x35 x...(16)

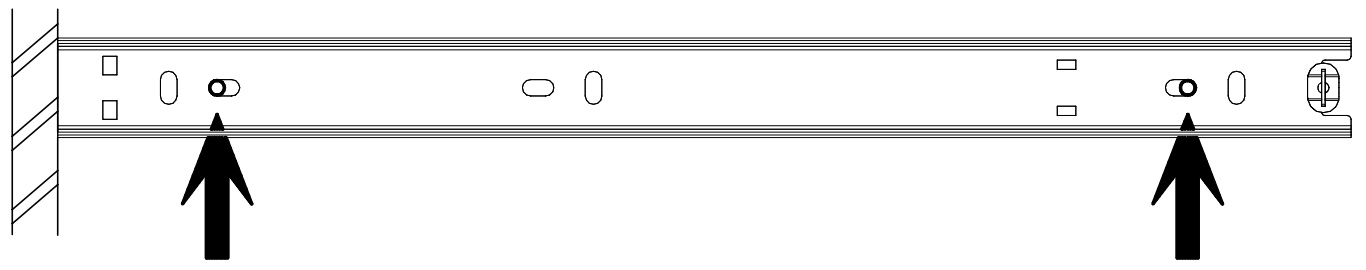
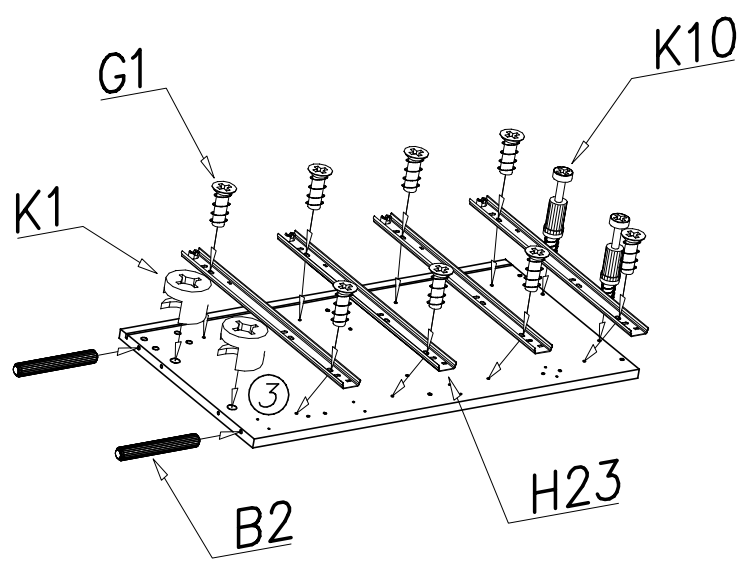
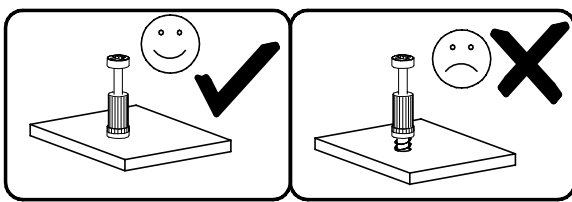
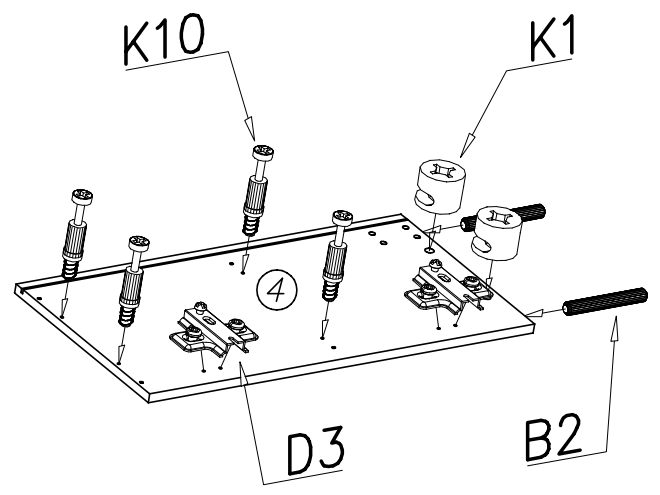
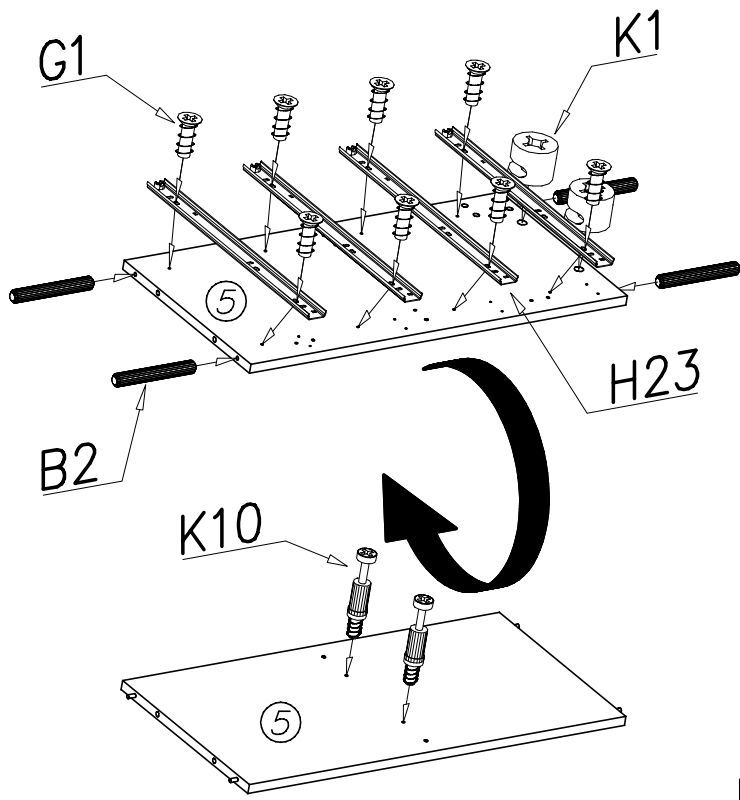
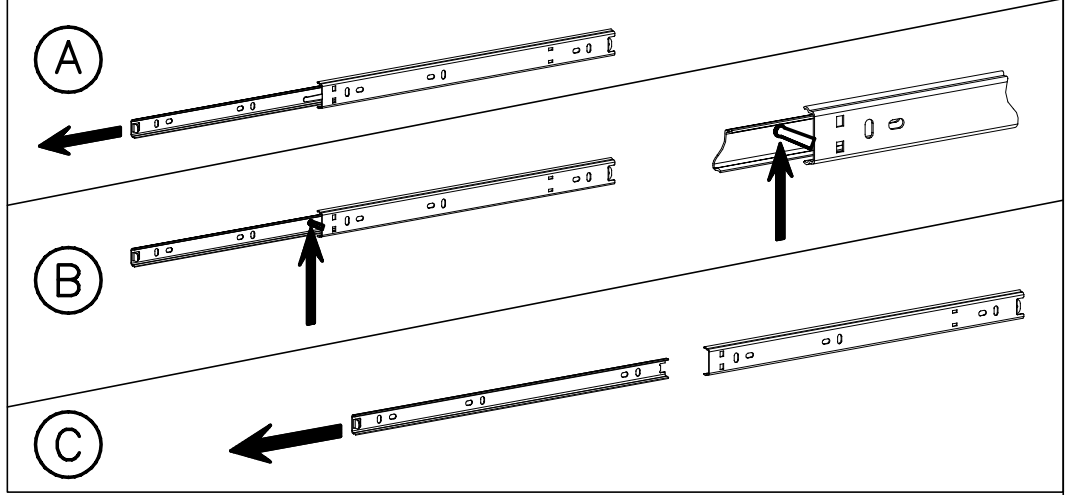
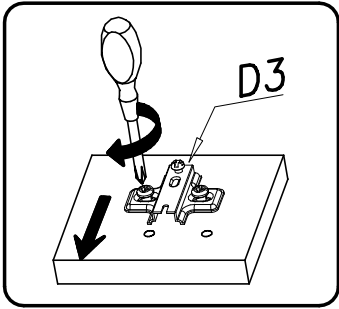
I



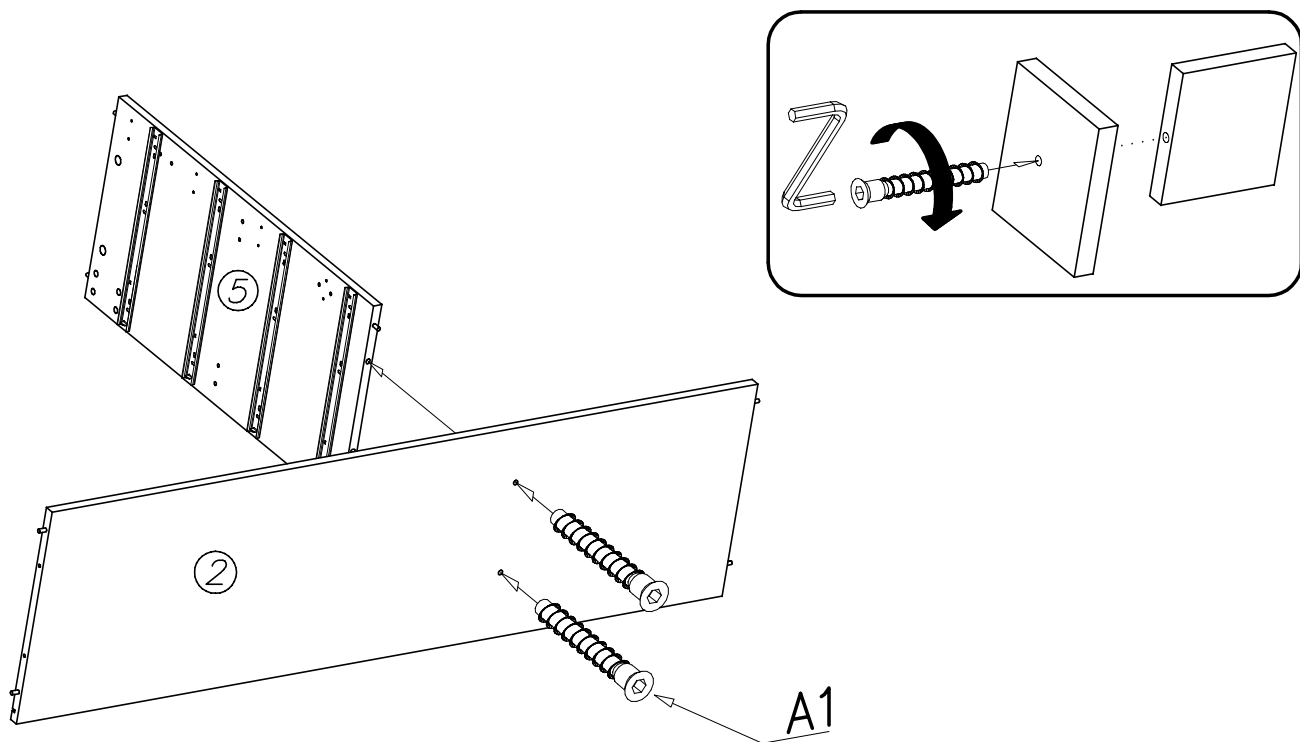
II



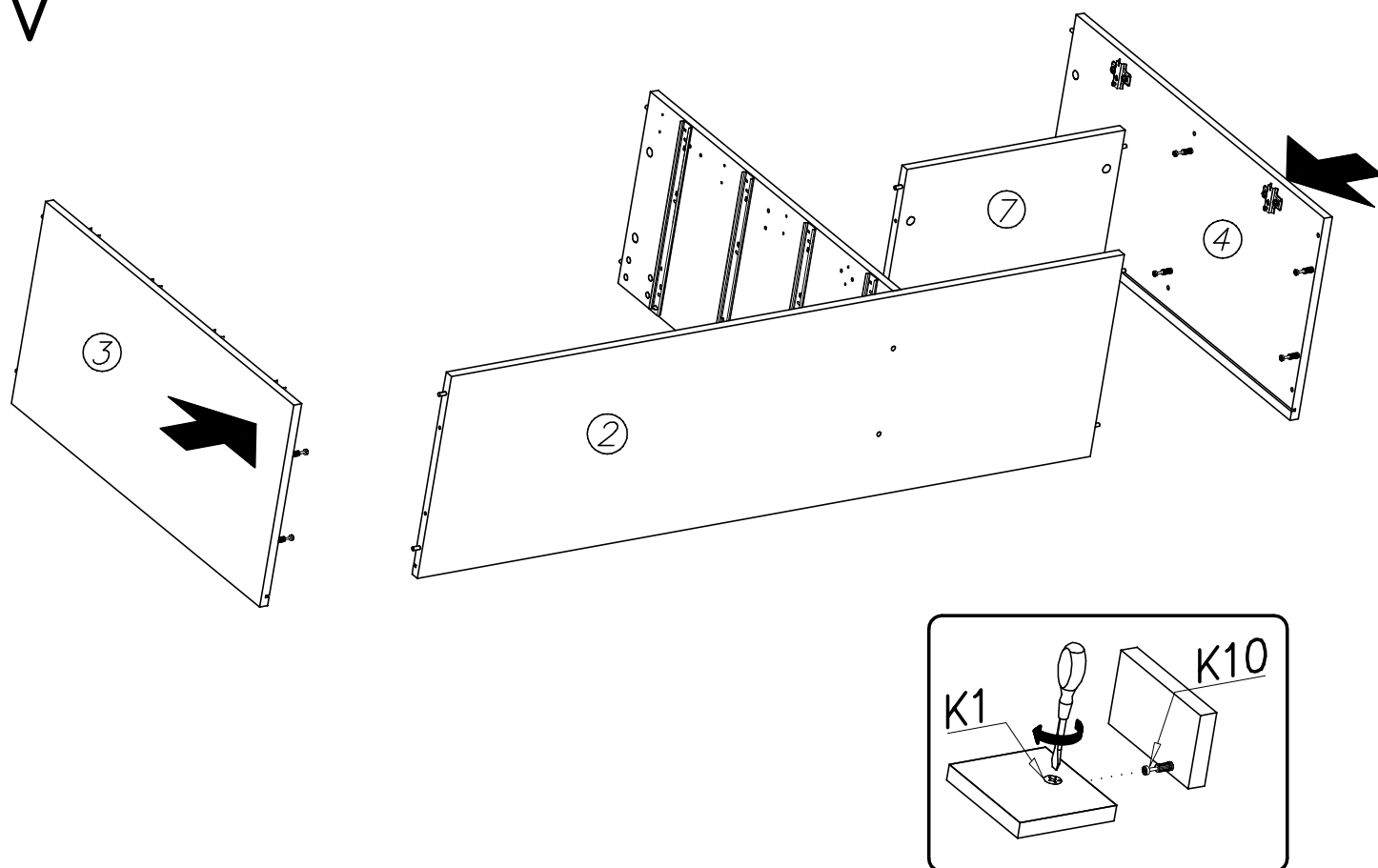
III



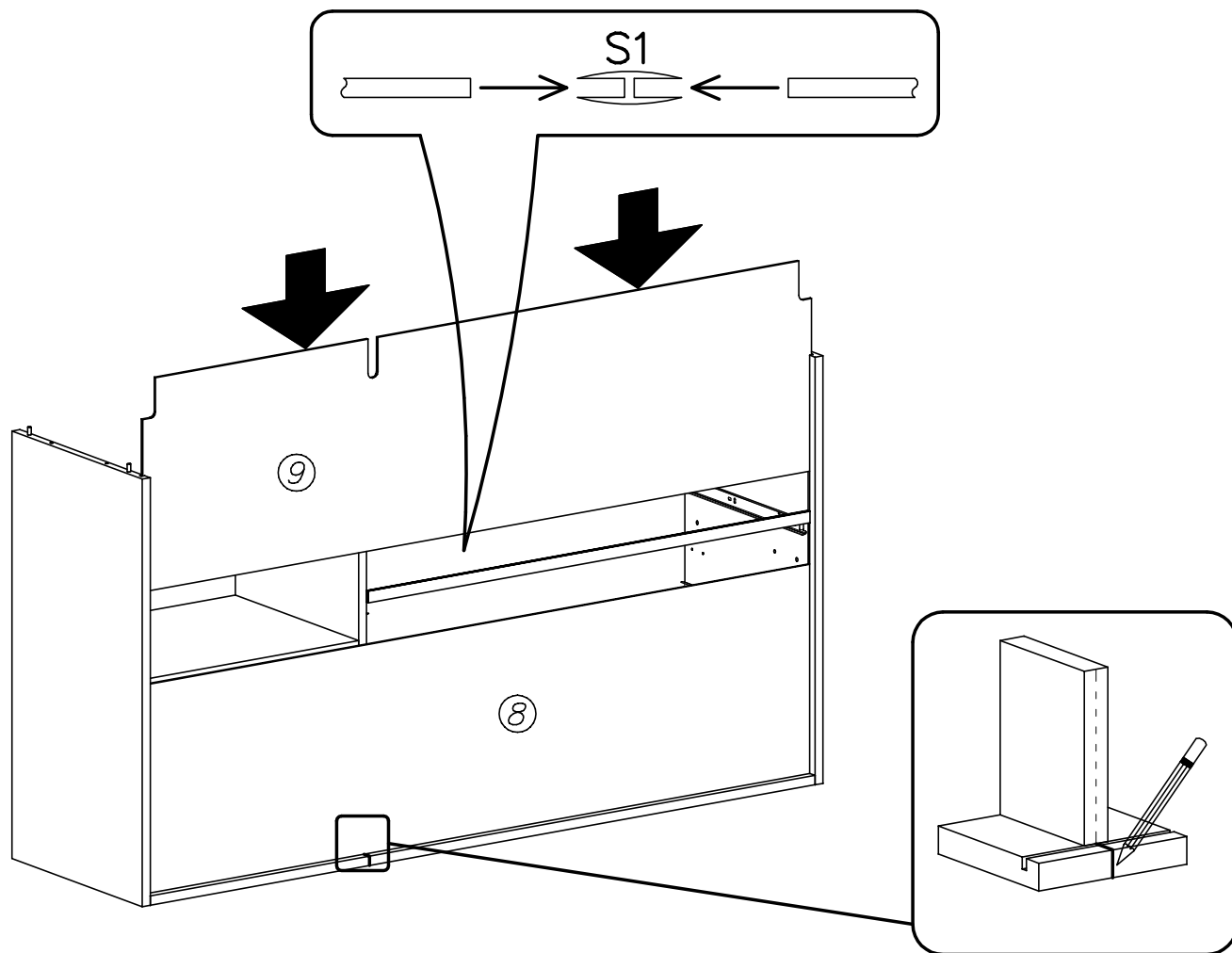
IV



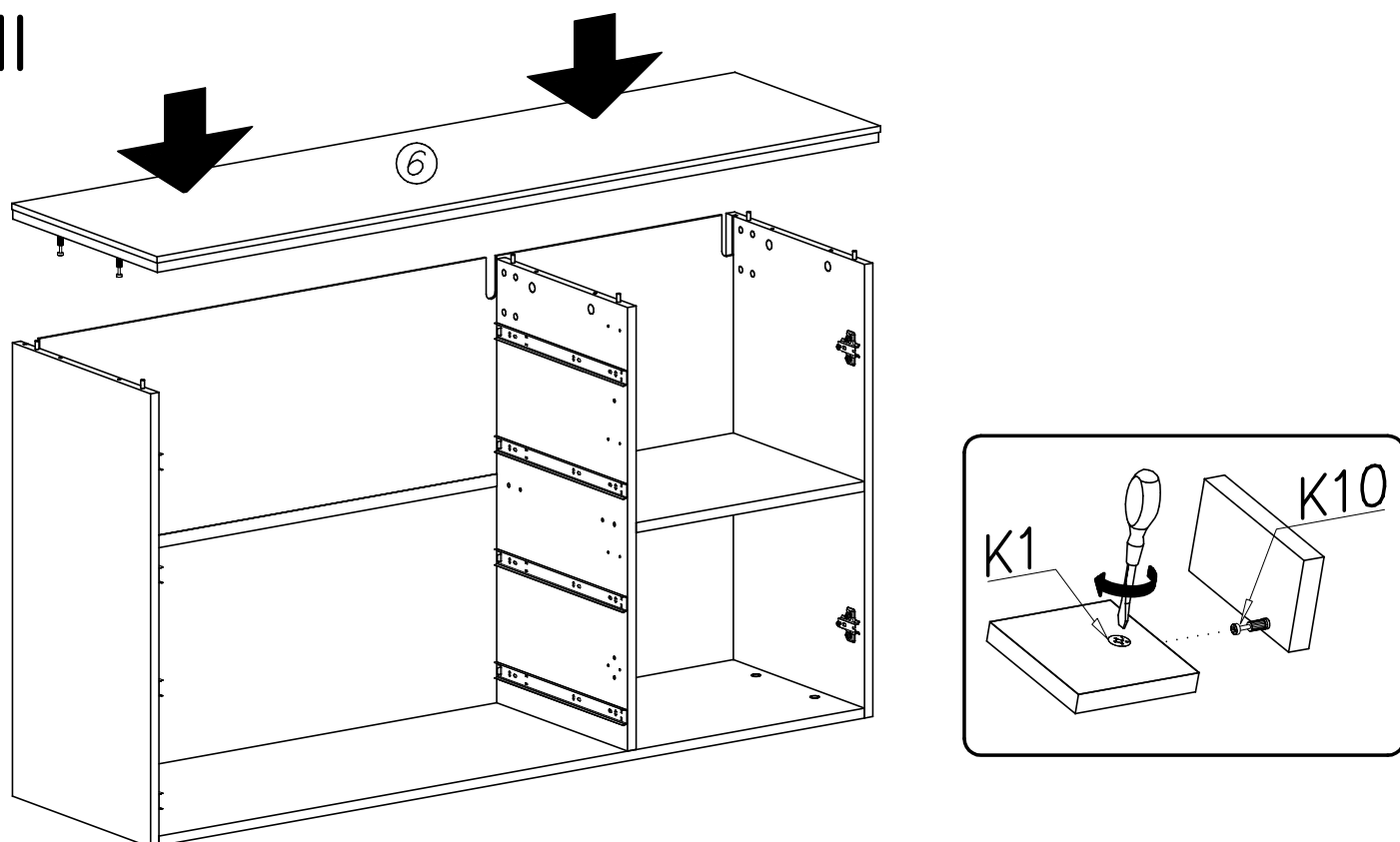
V



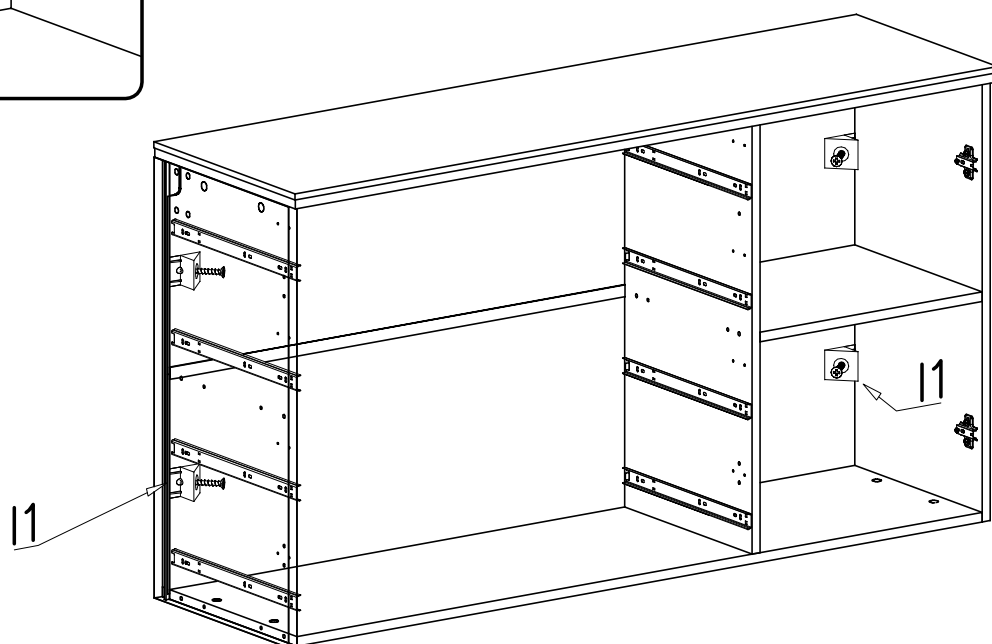
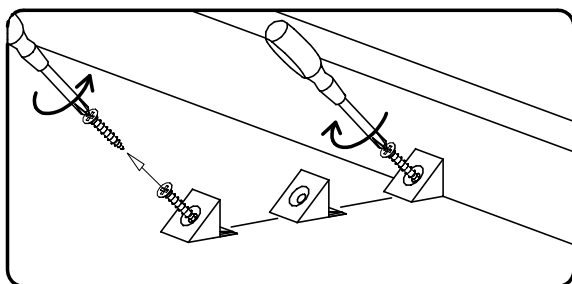
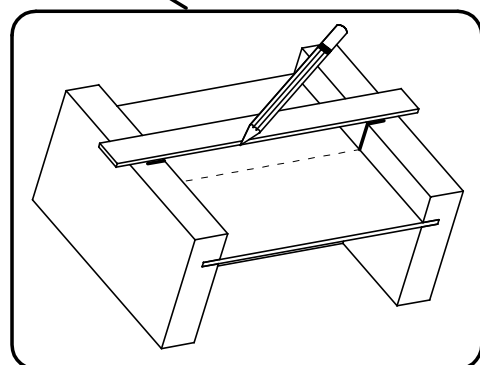
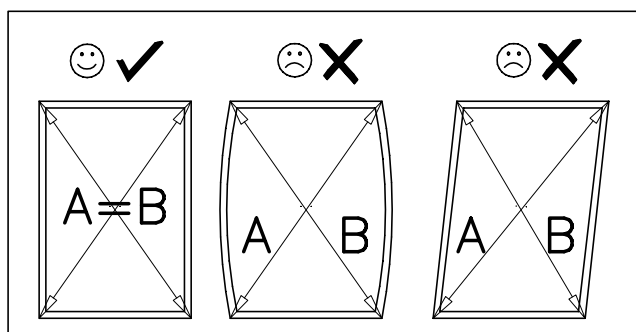
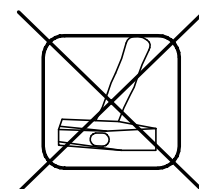
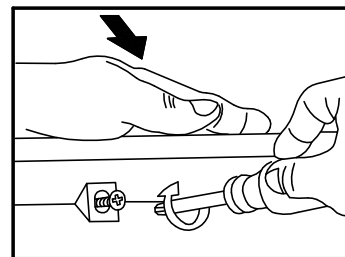
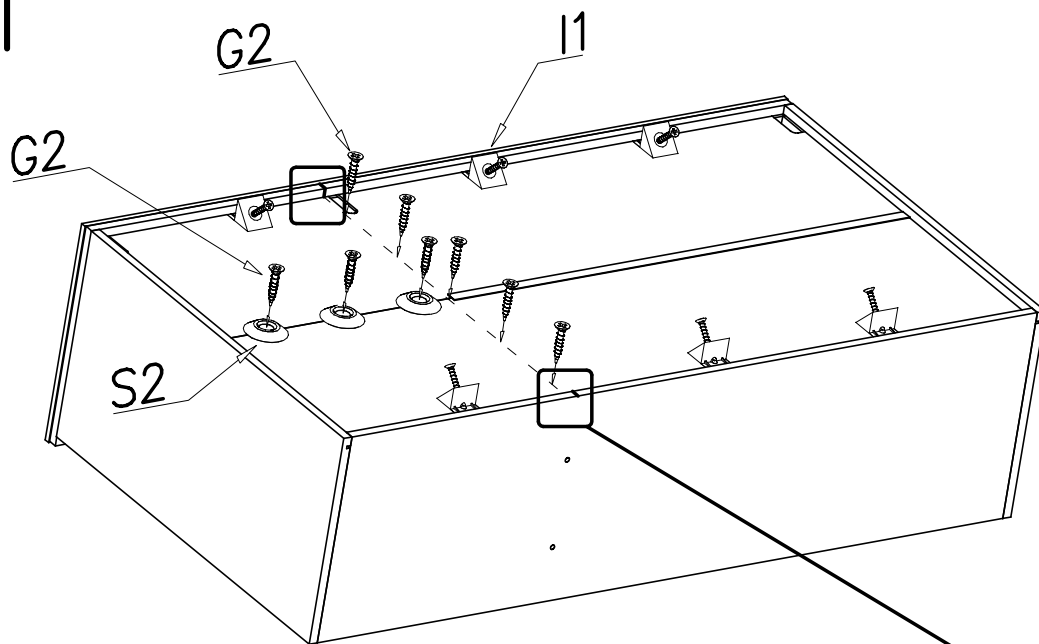
VI



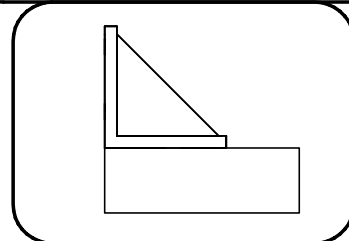
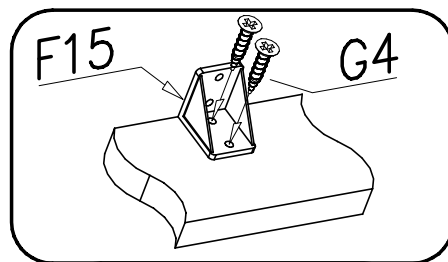
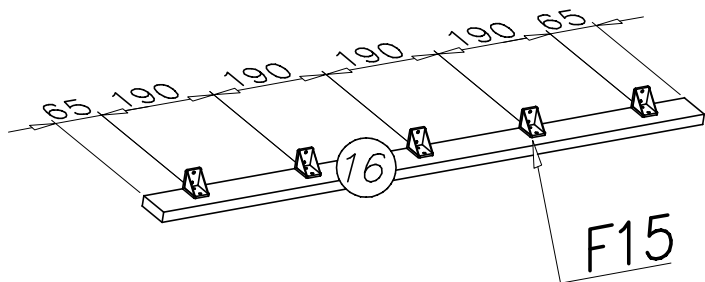
VII



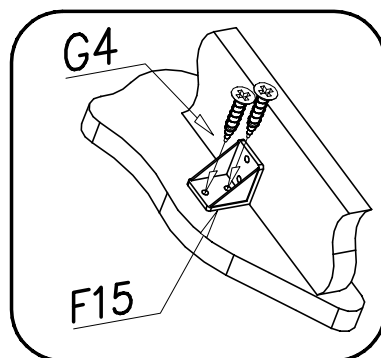
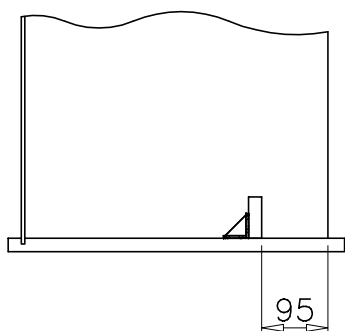
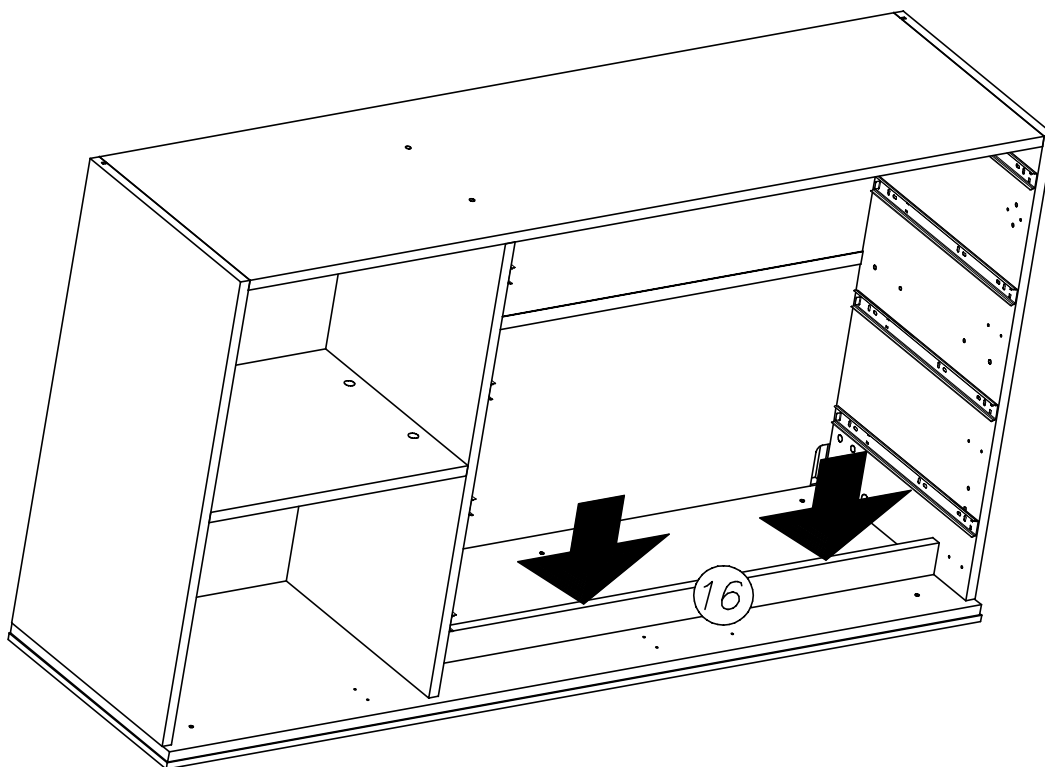
VIII



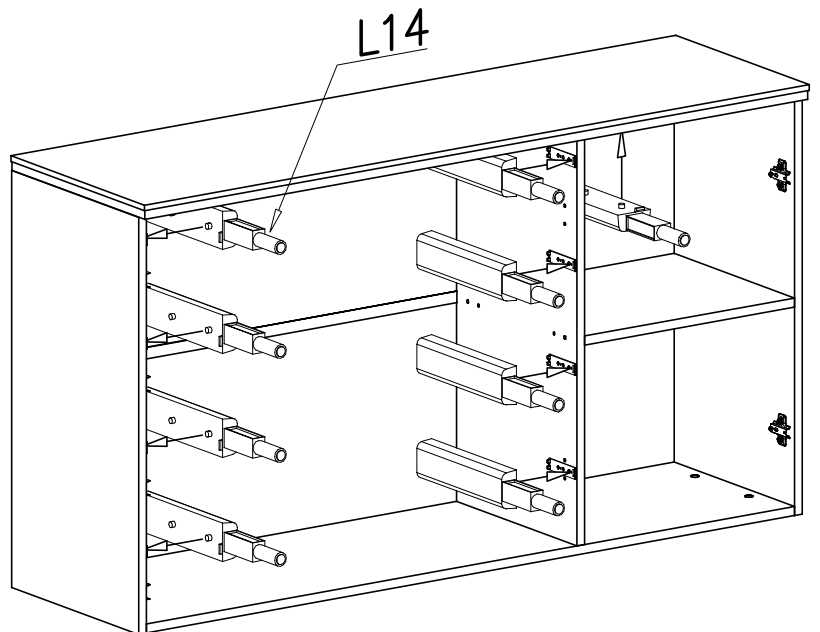
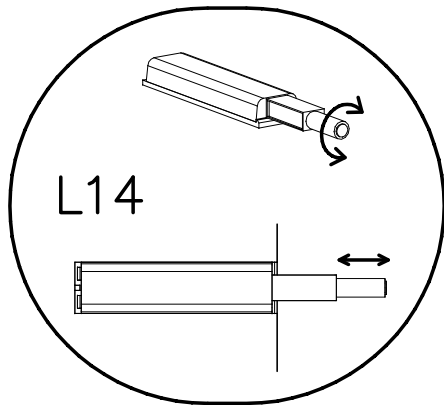
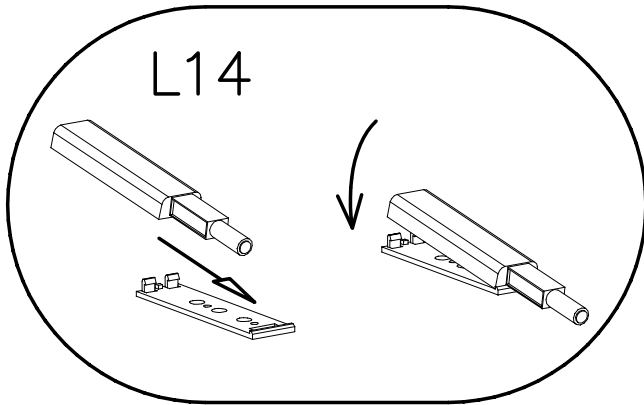
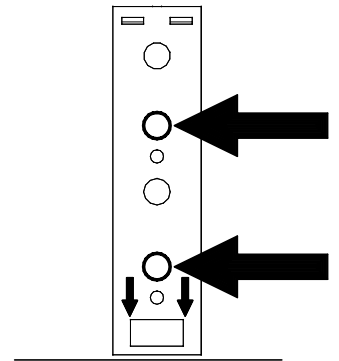
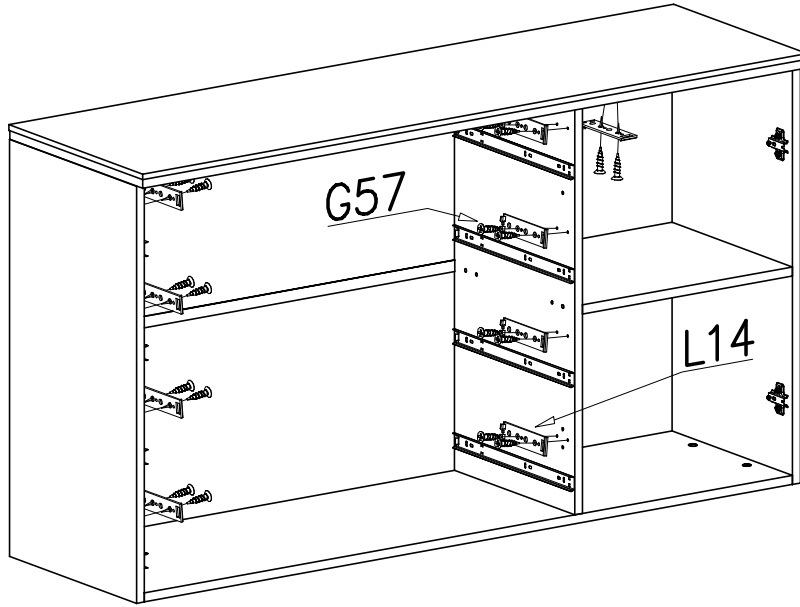
IX



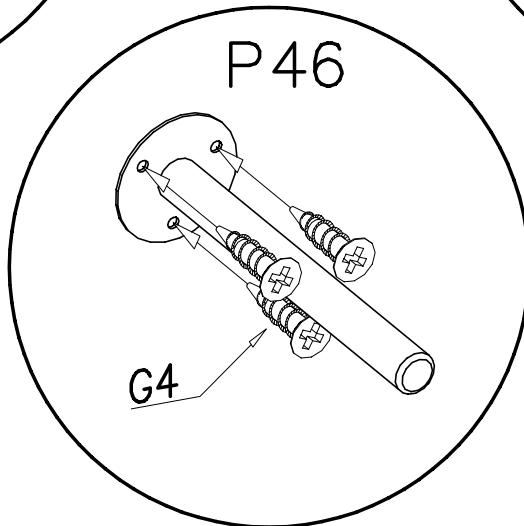
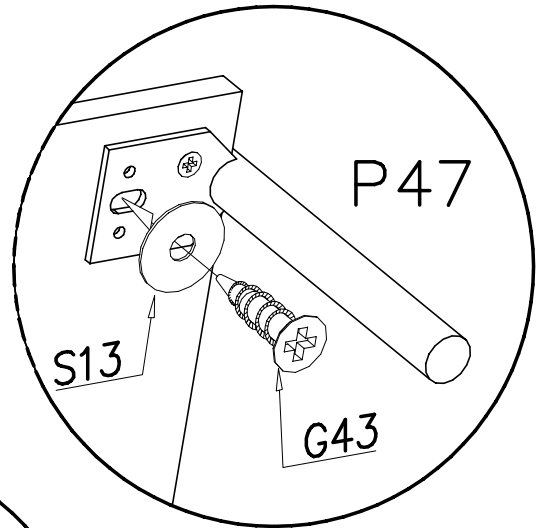
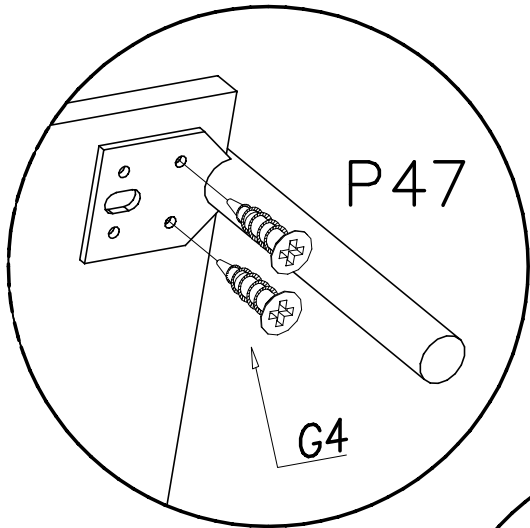
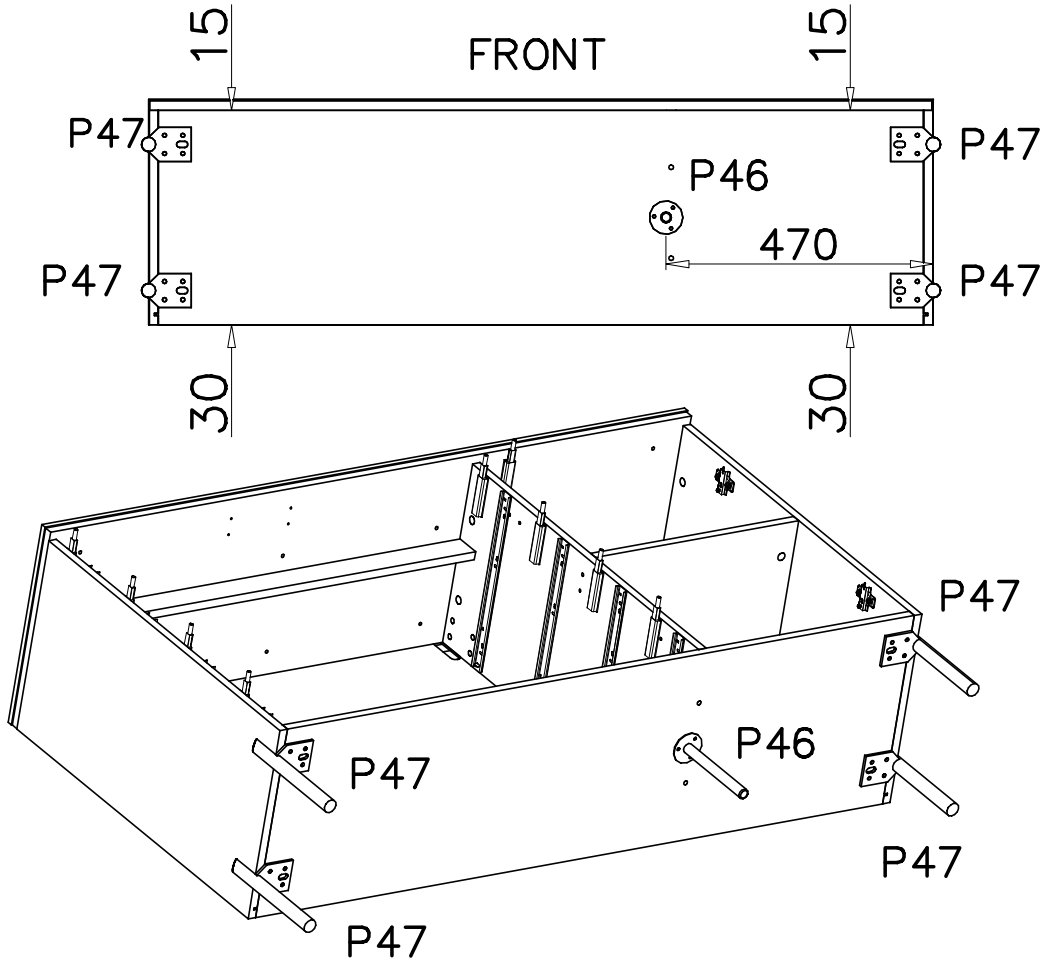
X



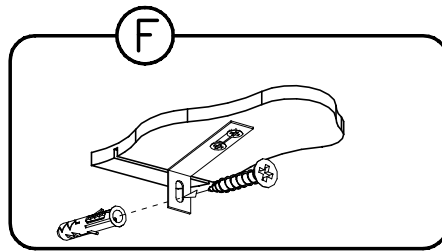
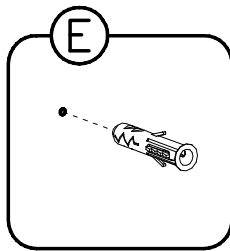
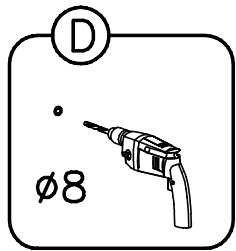
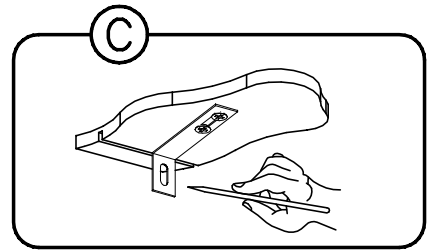
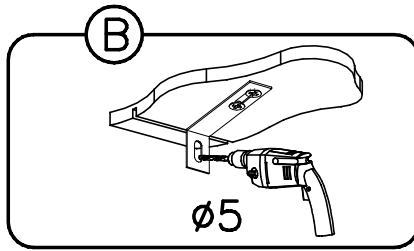
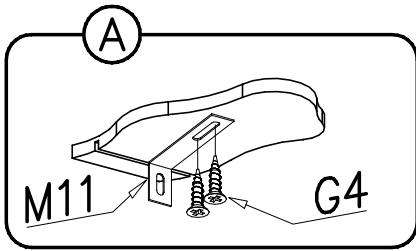
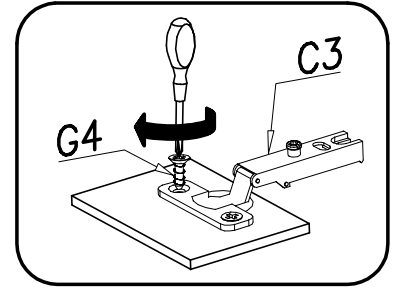
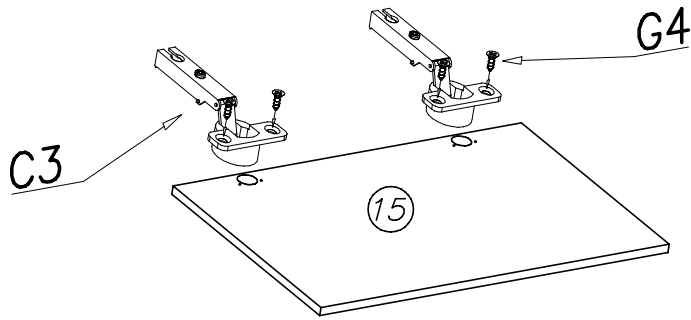
XI



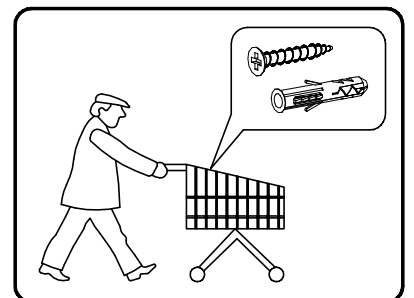
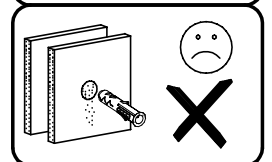
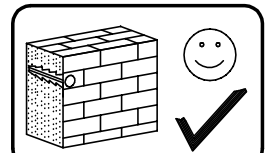
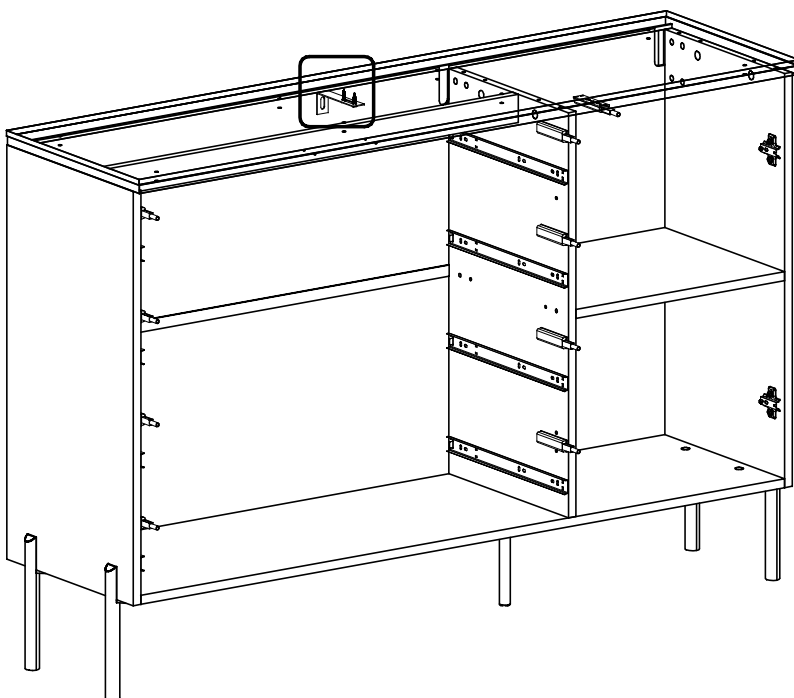
XII



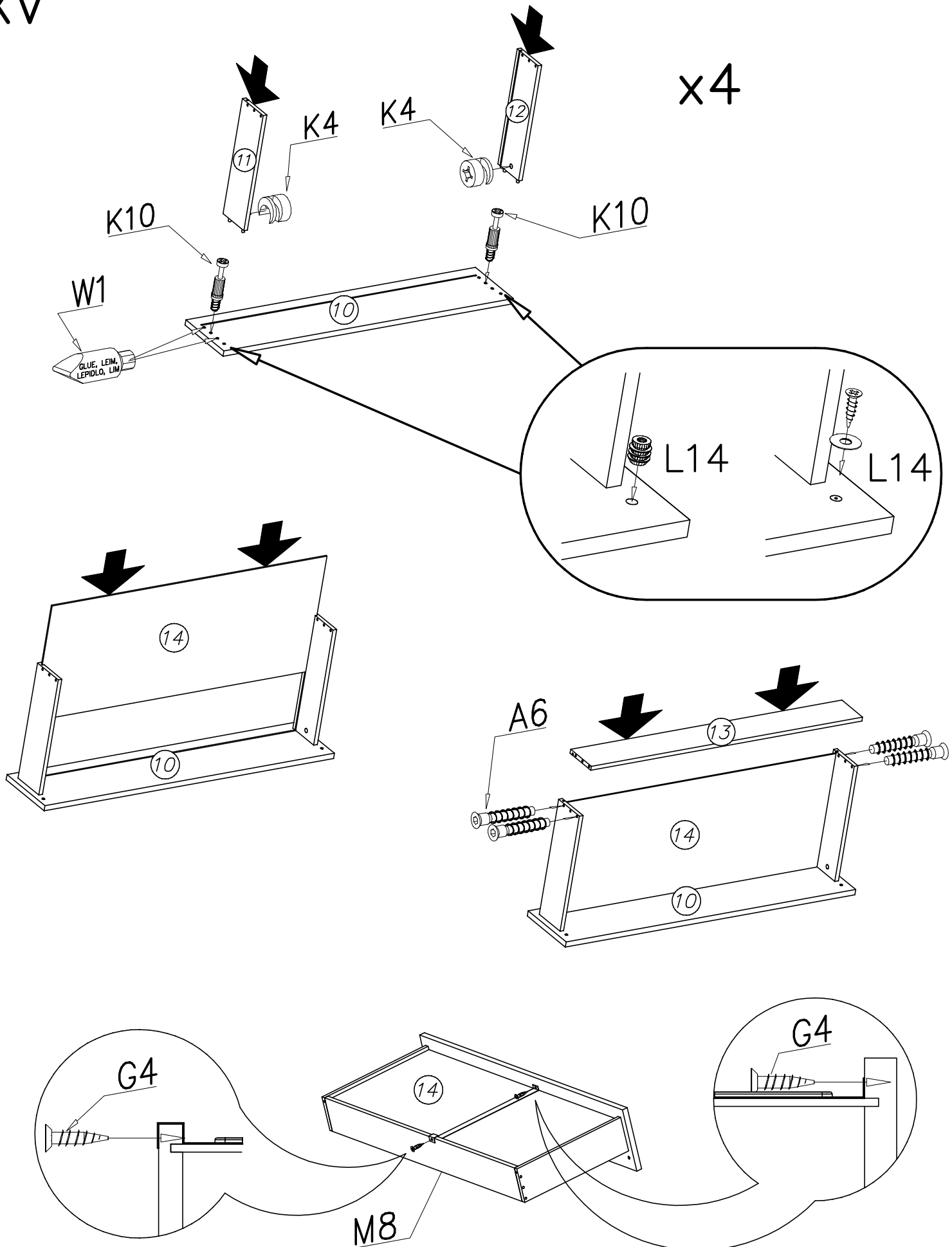
XIII



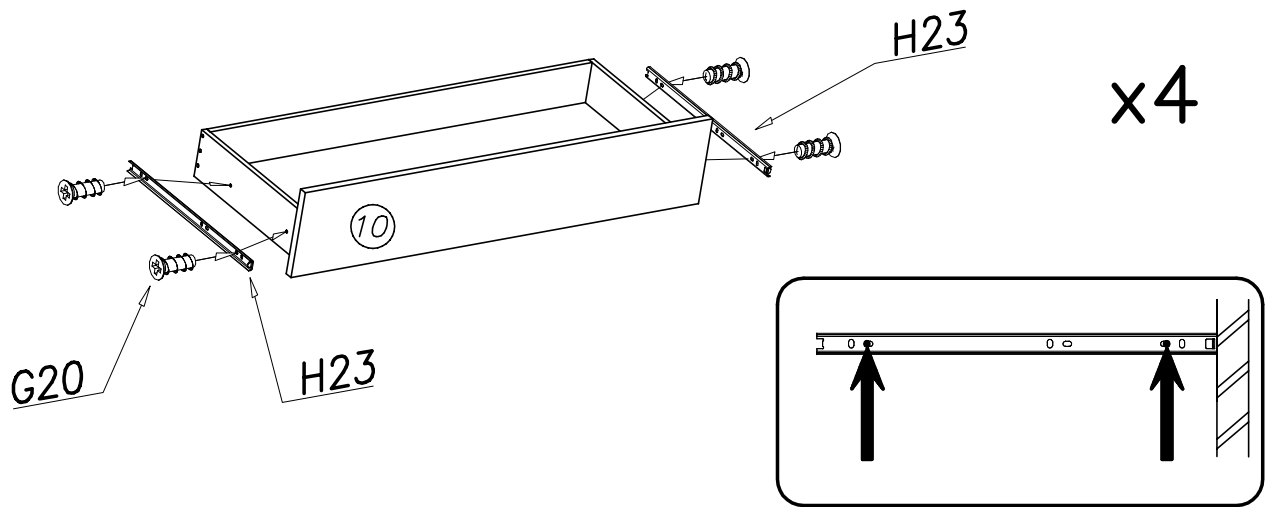
XIV



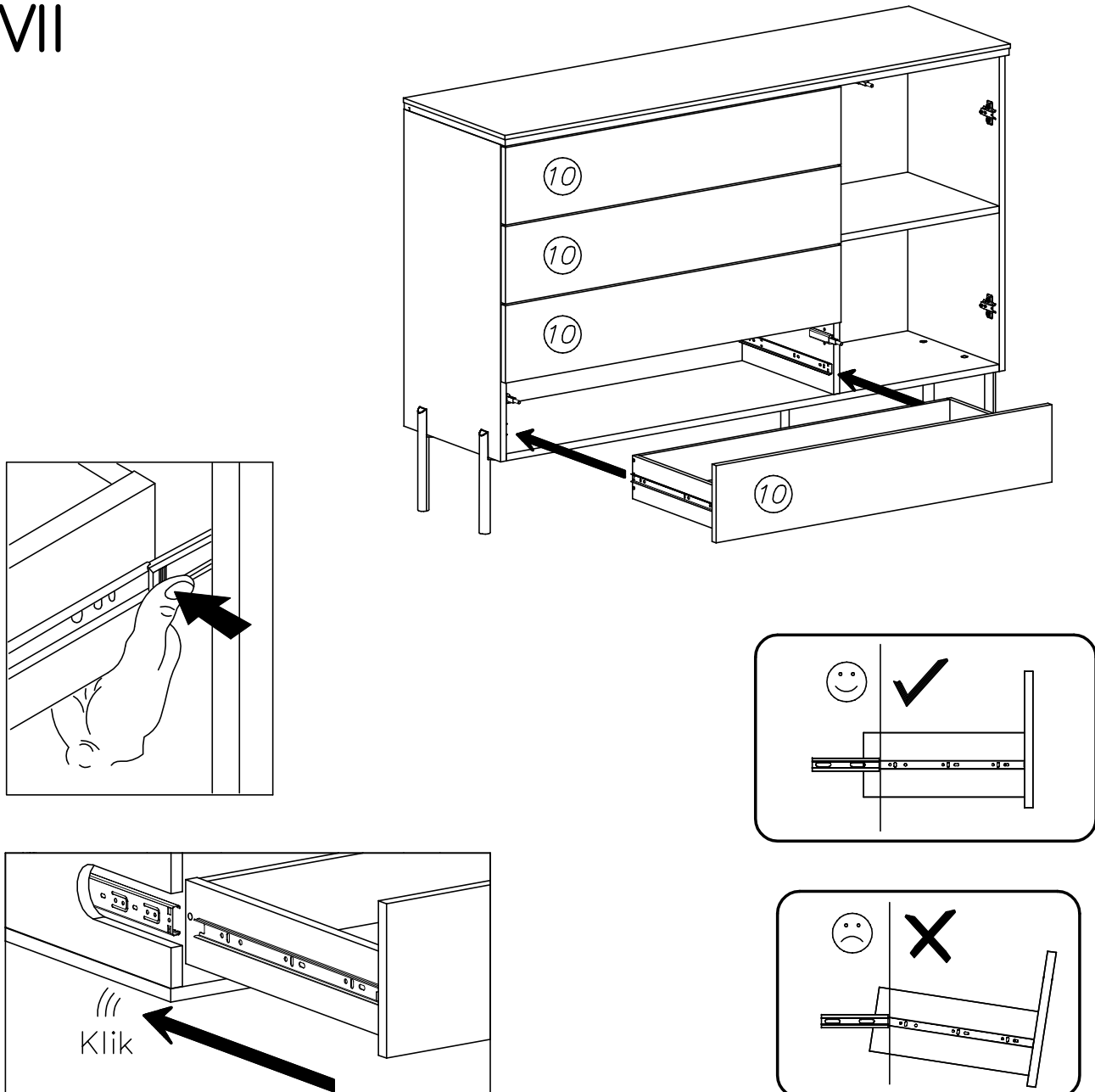
XV



XVI



XVII



XVIII

