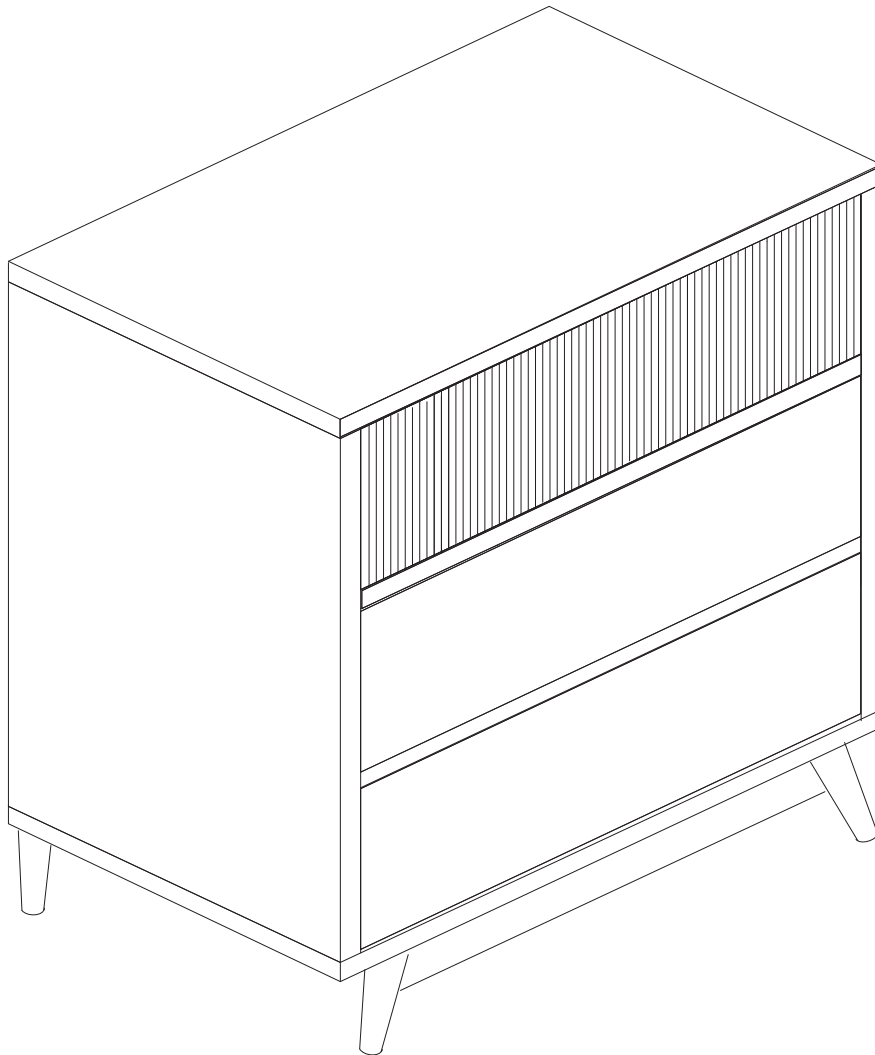
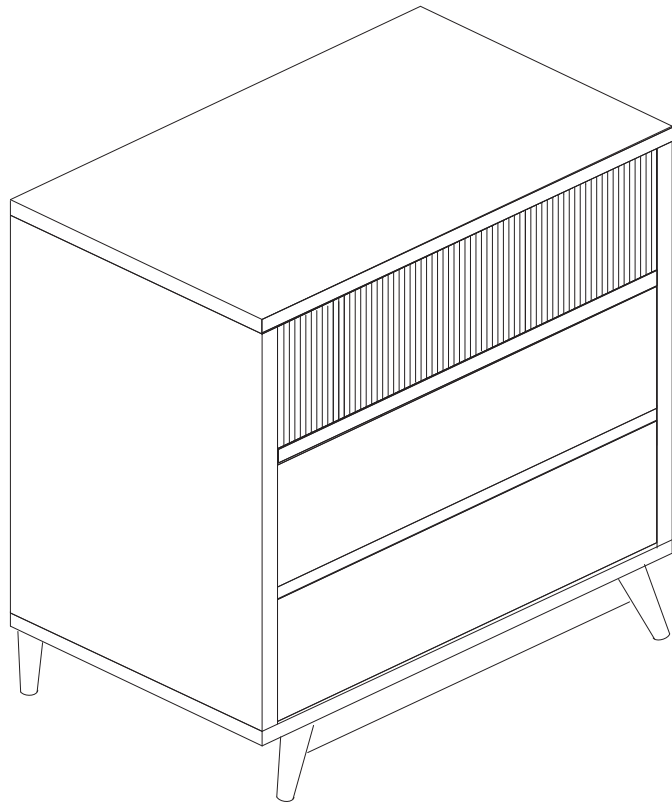


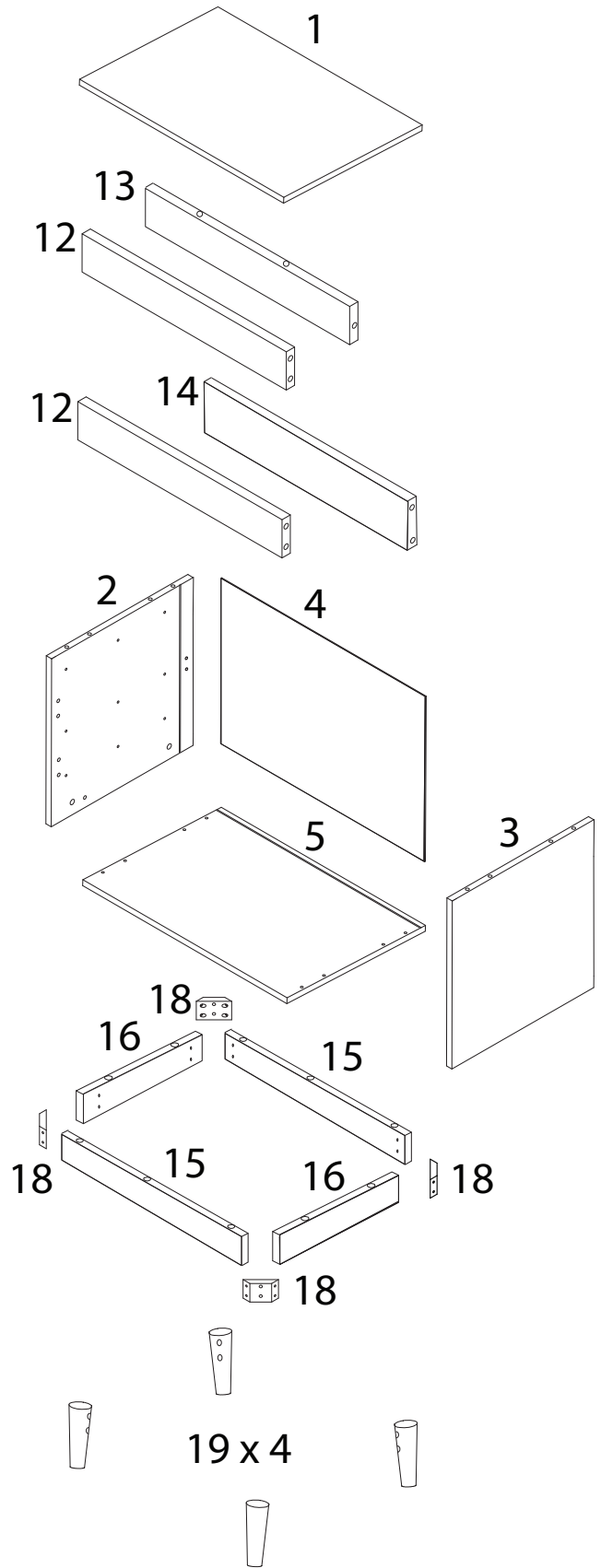
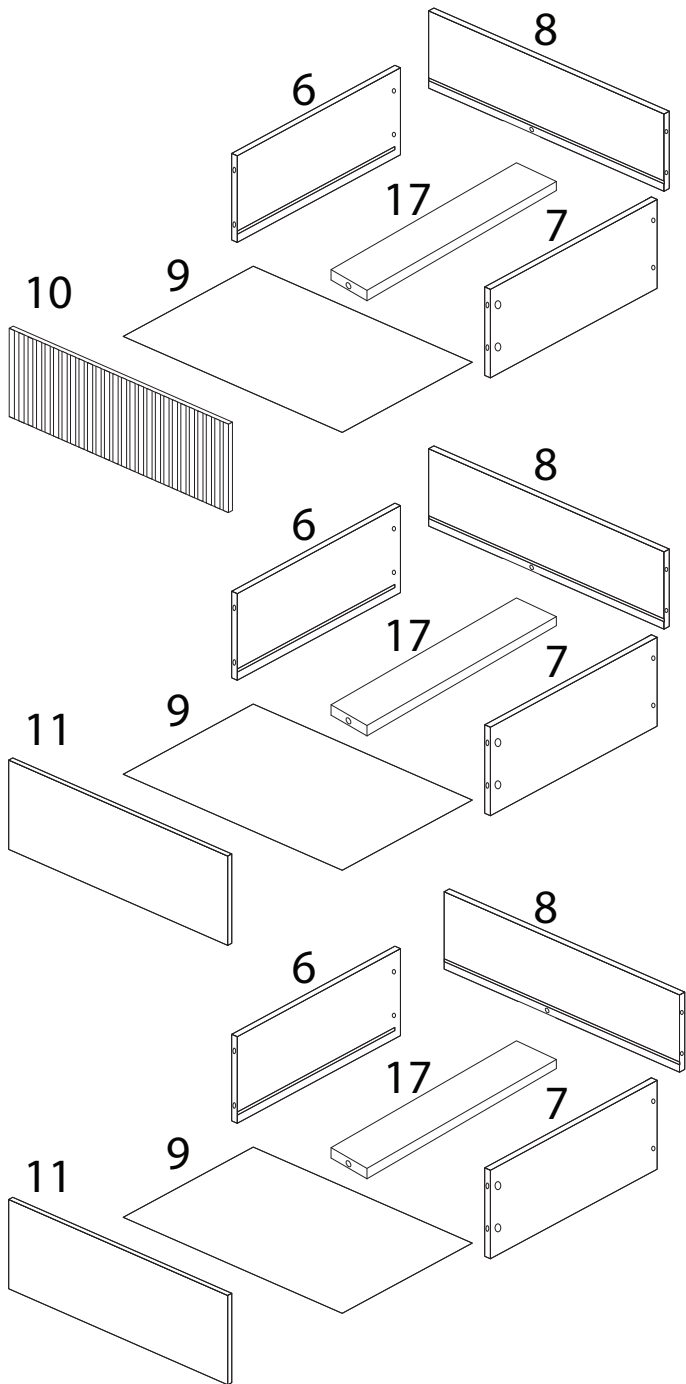
WALES

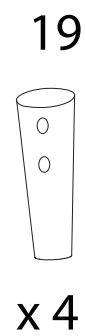
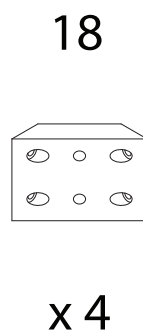
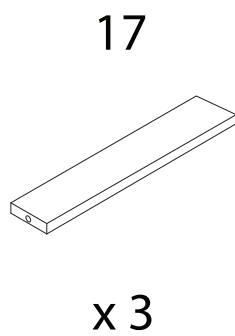
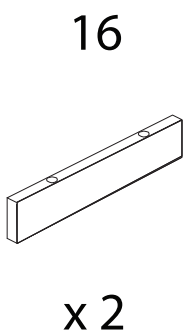
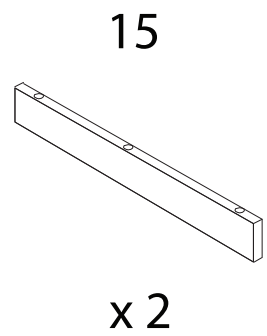
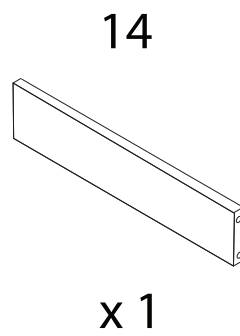
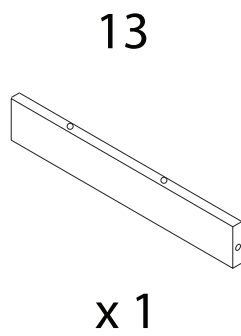
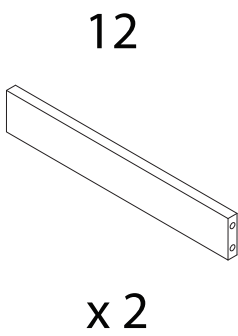
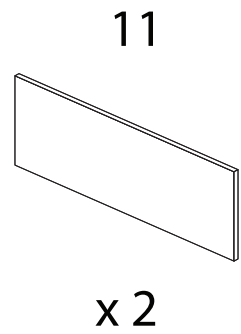
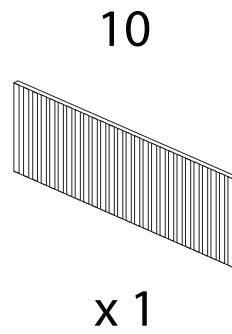
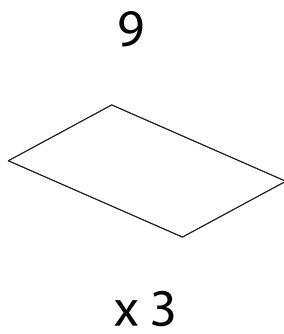
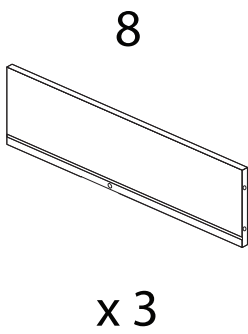
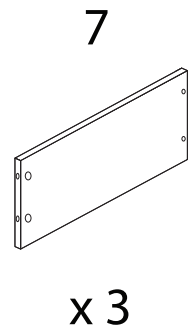
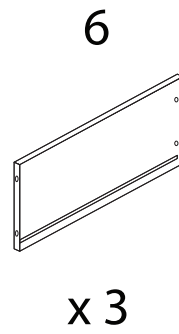
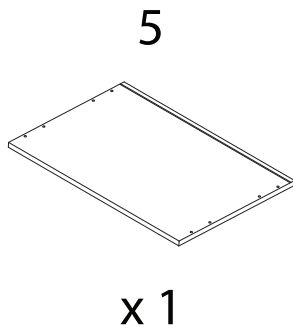
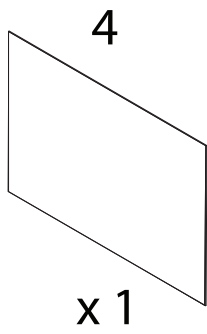
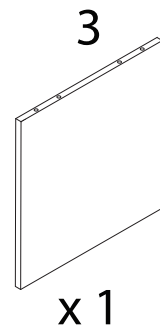
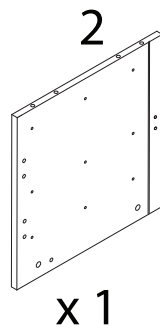
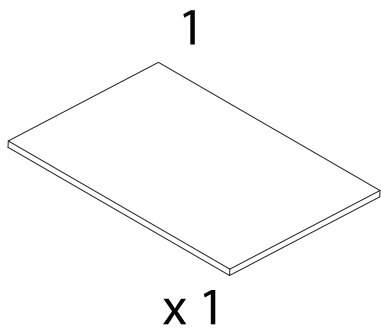



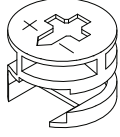

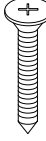
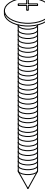
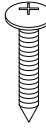
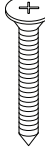
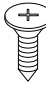
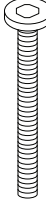
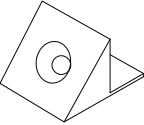
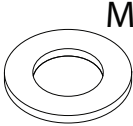
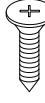
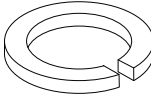
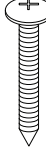
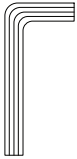

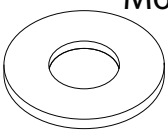

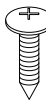
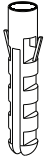
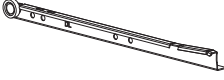
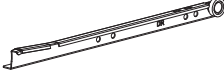
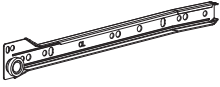
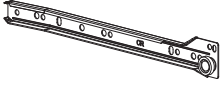


Assembly instructions for step 1/18:

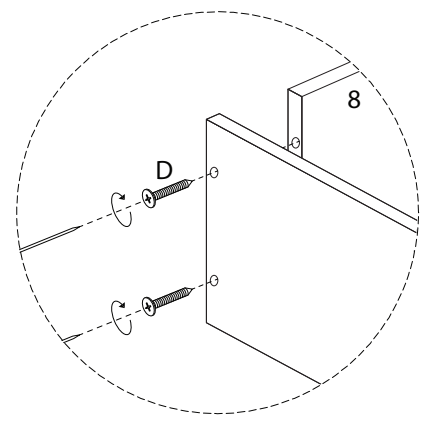
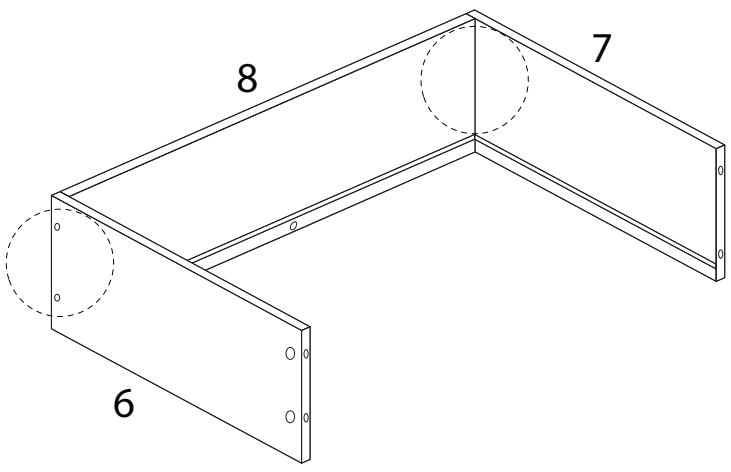
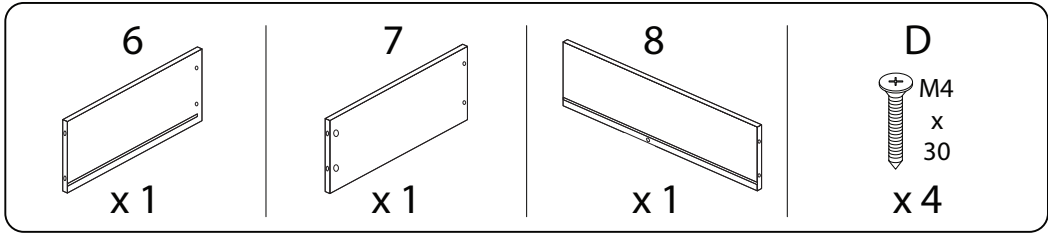
- Tools:** A circle containing a screwdriver and an L-shaped Allen key. A power drill is shown with a diagonal line through it, indicating it is not to be used.
- Warning:** A triangle with an exclamation mark.
- Time:** A clock icon with the text "45'" below it.
- Personnel:** A stick figure icon with the number "2" below it.
- Diagram:** A circle showing a rectangular block being placed on a textured surface. A second diagram shows the block being pushed down, with a diagonal line through it and arrows indicating the direction of force.



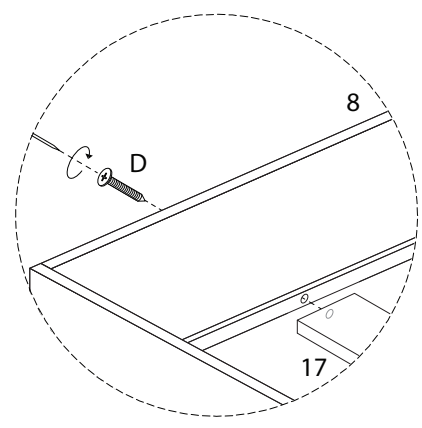
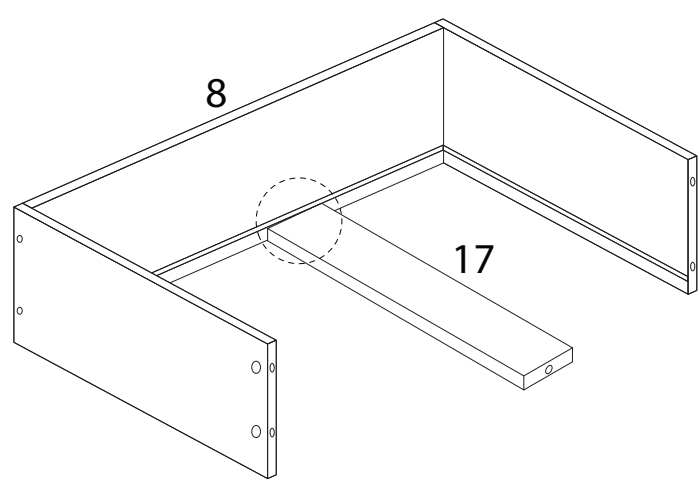
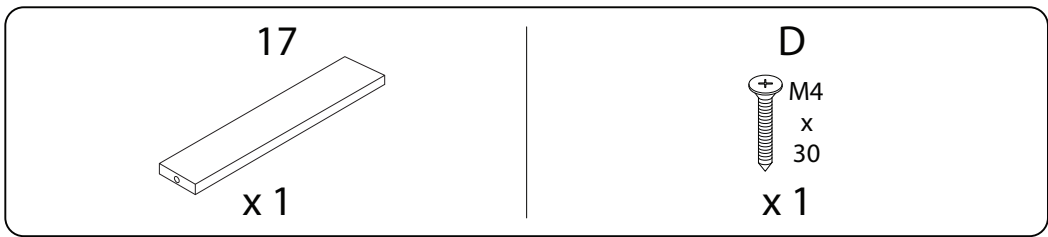


| | | | | |
|---|---|--|---|--|
| <p>A</p>  <p>x 29</p> | <p>B</p>  <p>x 29</p> | <p>C</p>  <p>x 20</p> | <p>D</p>  <p>M4 x 30</p> <p>x 15</p> | |
| <p>E</p>  <p>M4 x 50</p> <p>x 10</p> | <p>F</p>  <p>M4 x 25</p> <p>x 16</p> | <p>G</p>  <p>M4 x 35</p> <p>x 5</p> | <p>H</p>  <p>M3 x 12</p> <p>x 30</p> | <p>I</p>  <p>M6 x 60</p> <p>x 8</p> |
| <p>J</p>  <p>x 8</p> | <p>K</p>  <p>M4</p> <p>x 1</p> | <p>L</p>  <p>M3 x 14</p> <p>x 8</p> | <p>M</p>  <p>x 8</p> | <p>N</p>  <p>M4 x 35</p> <p>x 2</p> |
| <p>O</p>  <p>x 1</p> | <p>P</p>  <p>x 4</p> | <p>Q</p>  <p>M6</p> <p>x 8</p> | <p>R</p>  <p>x 1</p> | <p>S</p>  <p>M4 x 14</p> <p>x 1</p> |
| <p>T</p>  <p>x 1</p> | <p>DL</p>  <p>x 3</p> | <p>DR</p>  <p>x 3</p> | <p>CL</p>  <p>x 3</p> | <p>CR</p>  <p>x 3</p> |

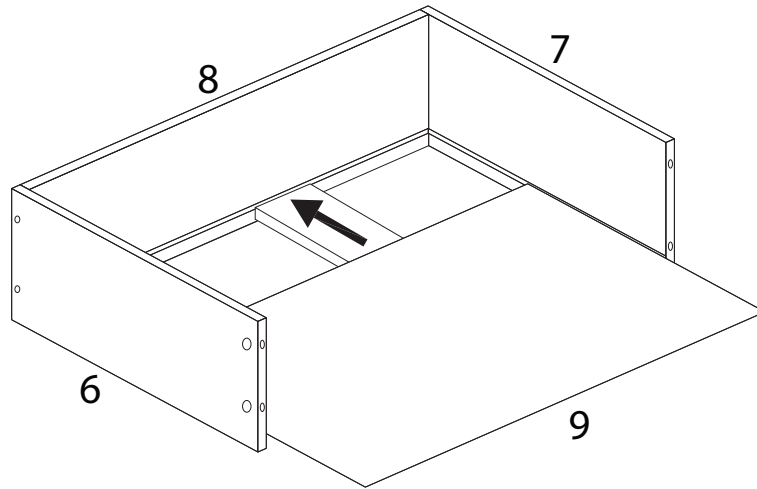
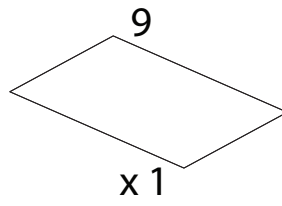
1 x 3



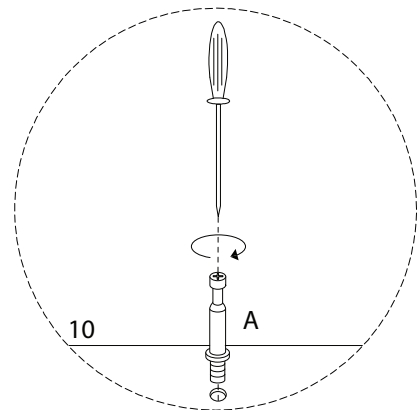
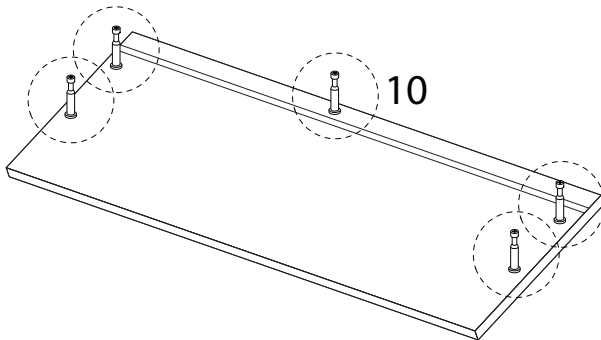
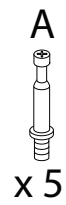
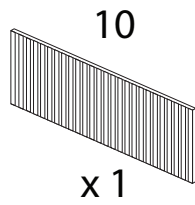
2 x 3



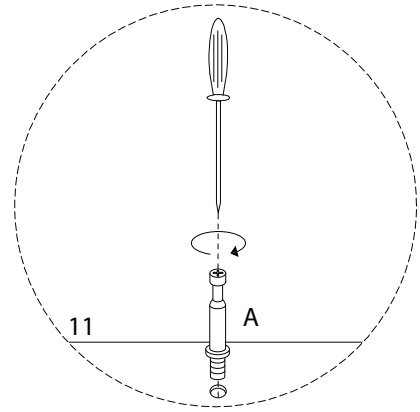
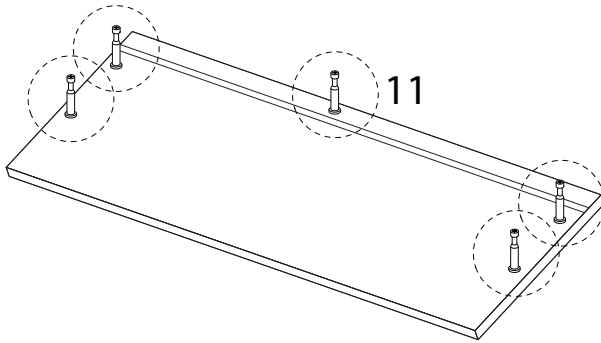
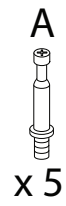
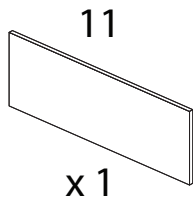
3 x 3



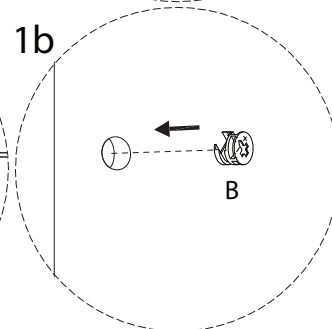
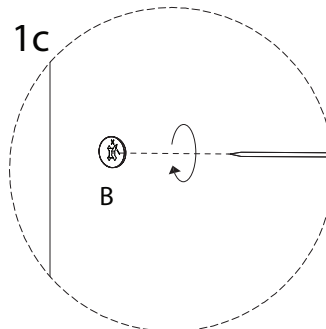
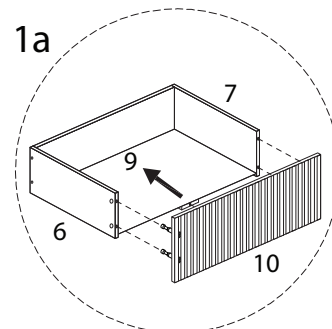
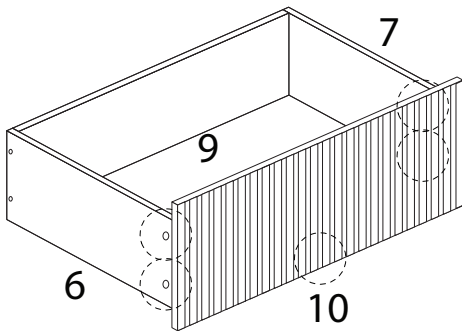
4



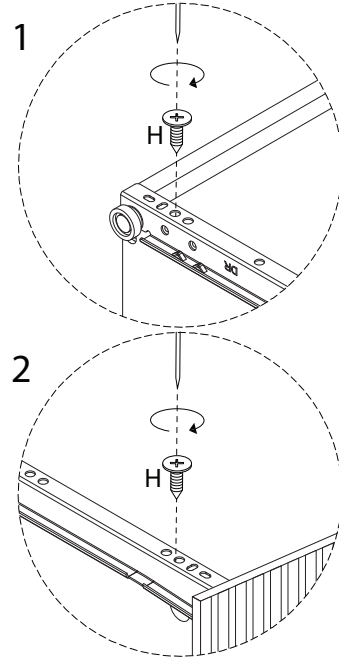
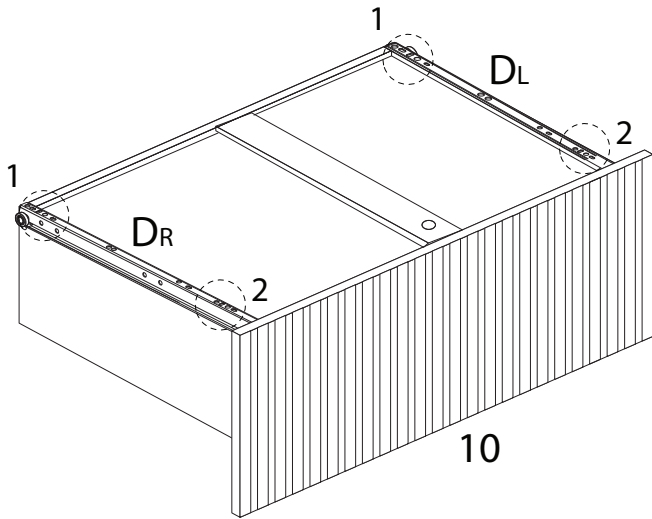
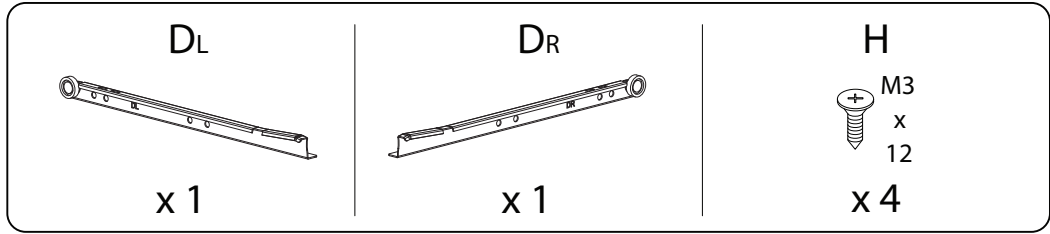
5 x 2



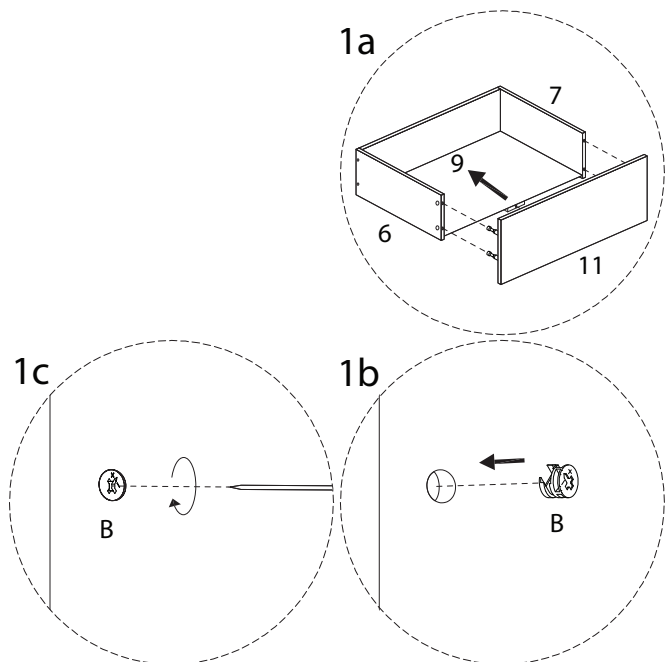
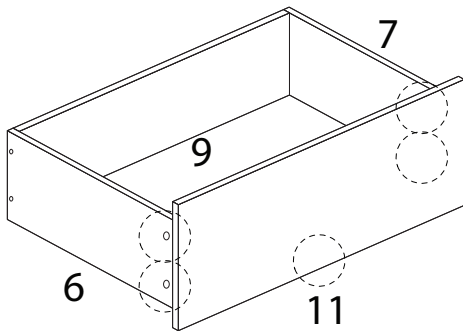
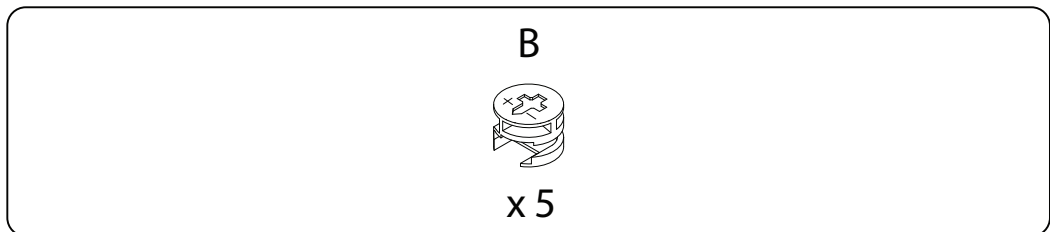
6



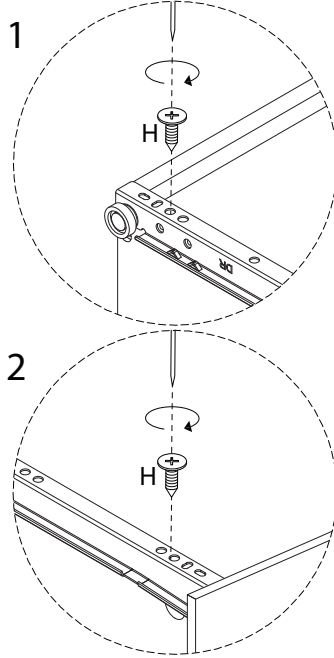
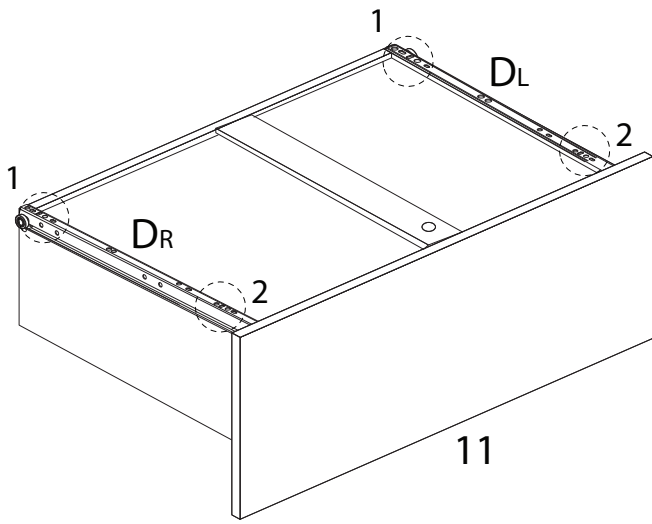
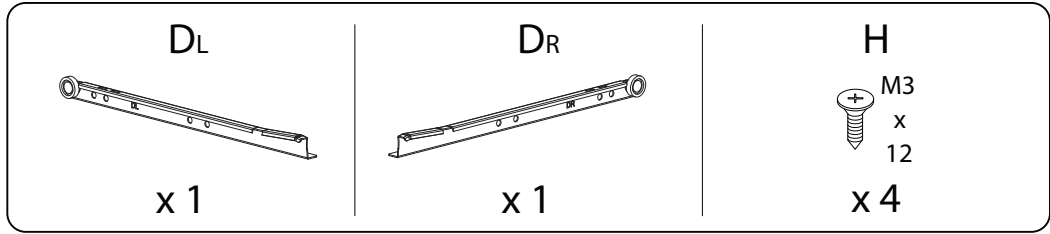
7



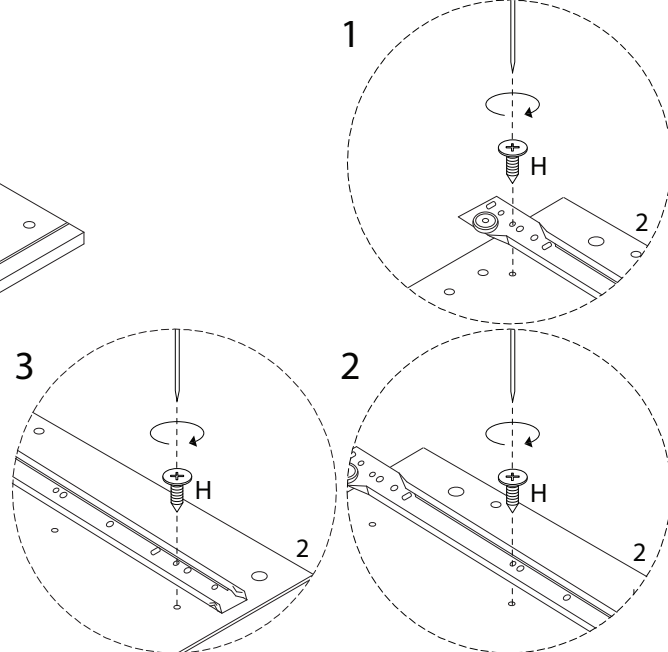
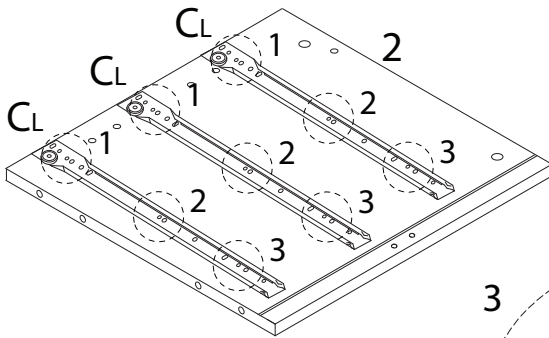
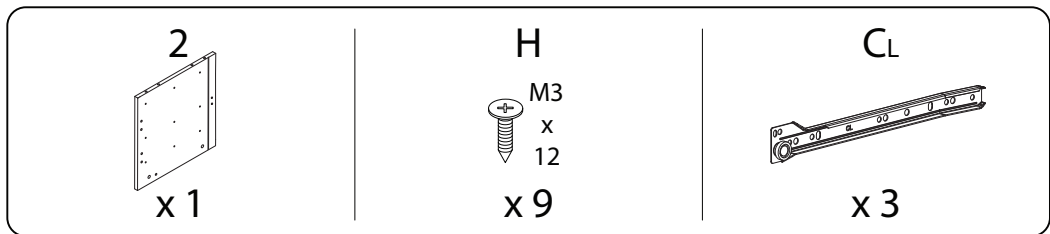
8 x 2



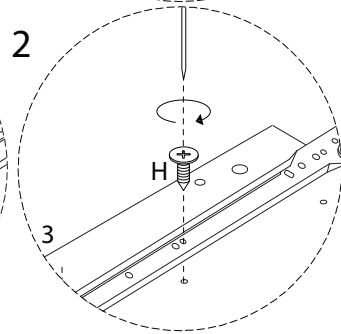
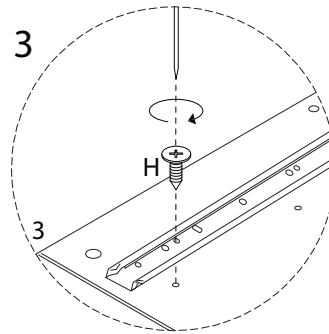
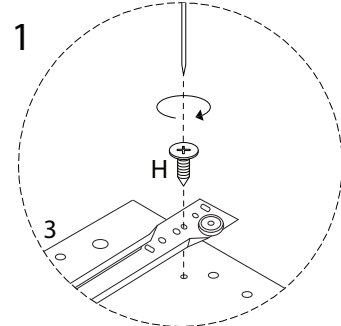
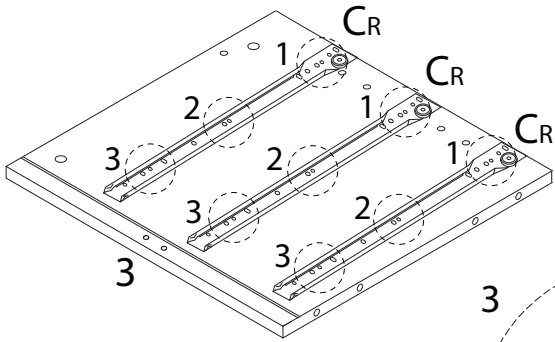
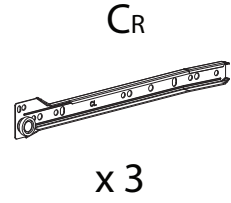
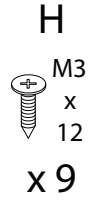
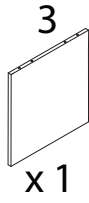
9 x 2



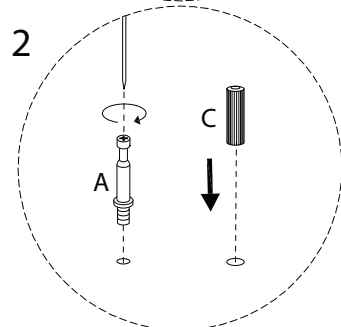
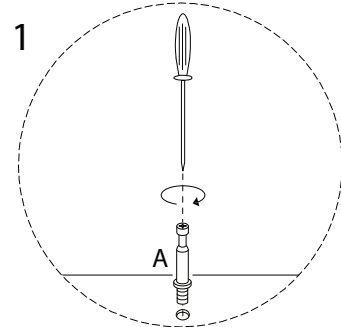
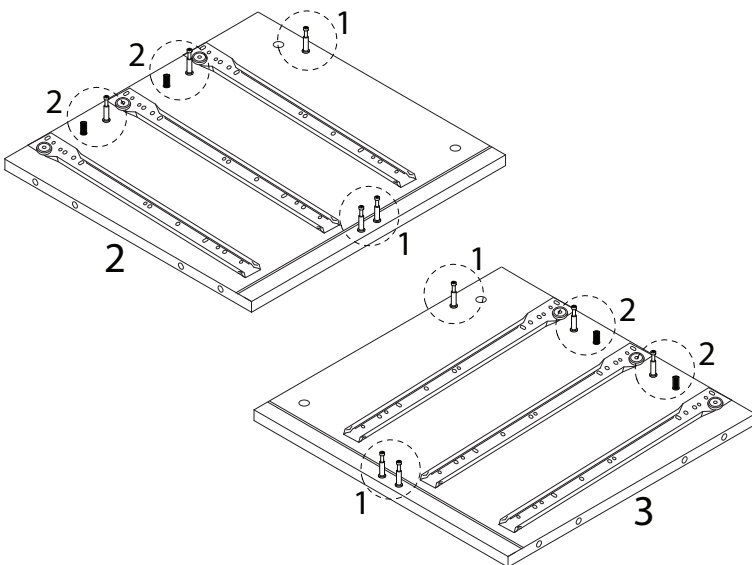
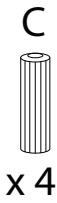
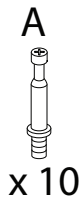
10



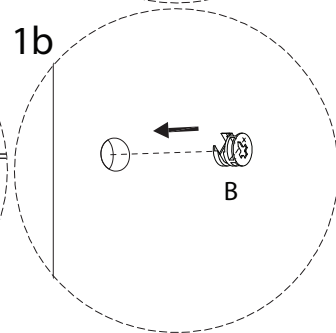
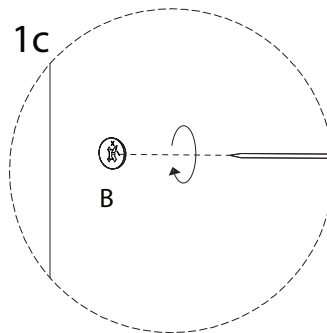
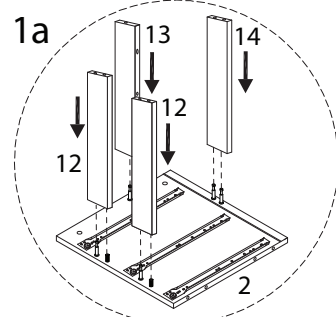
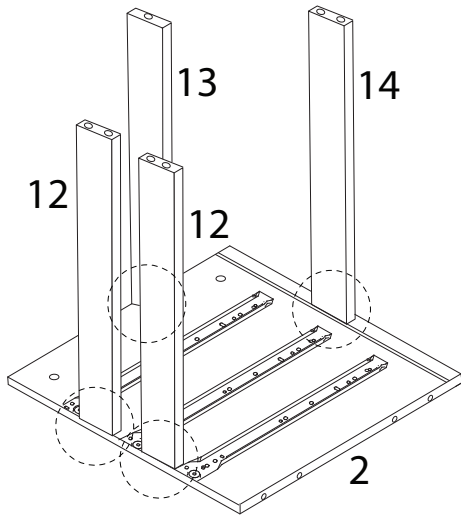
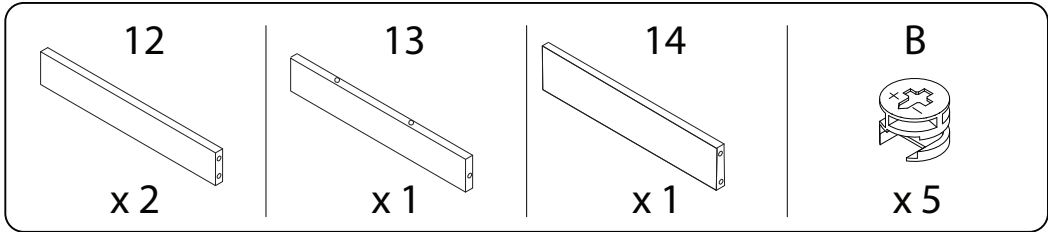
11



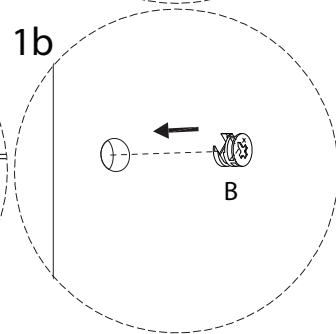
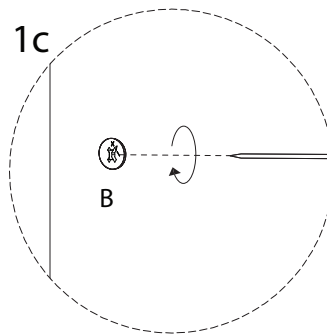
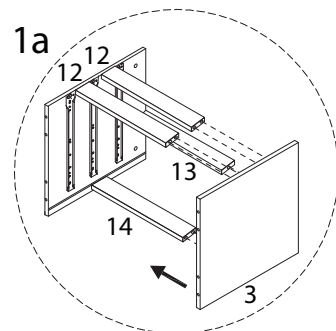
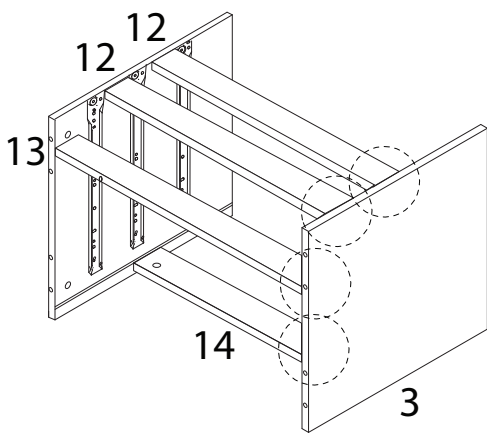
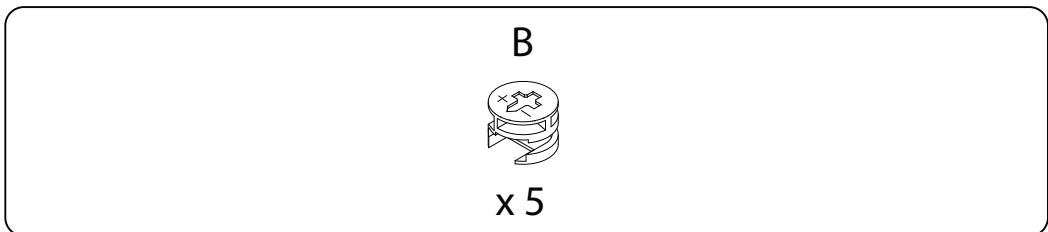
12



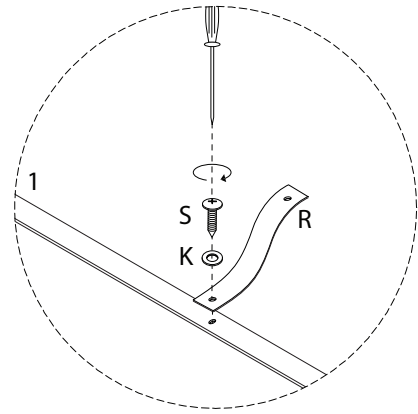
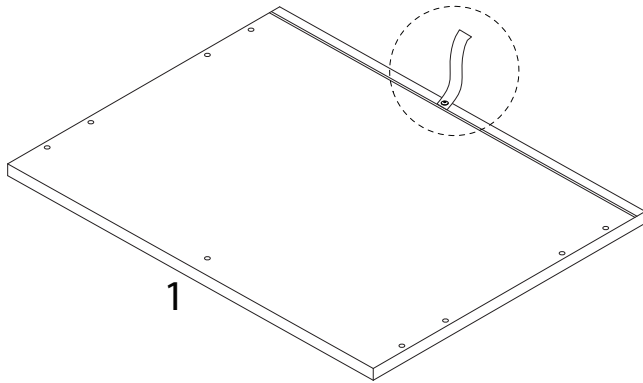
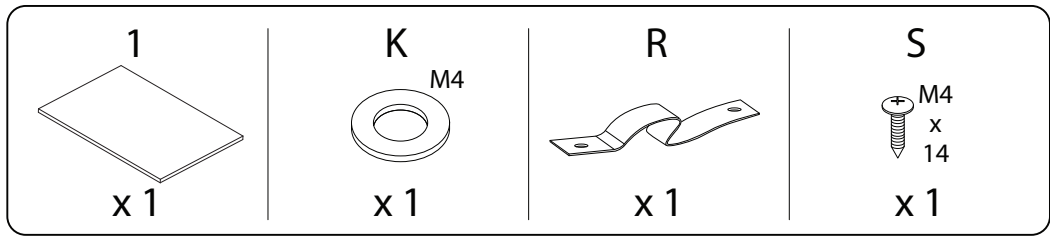
13



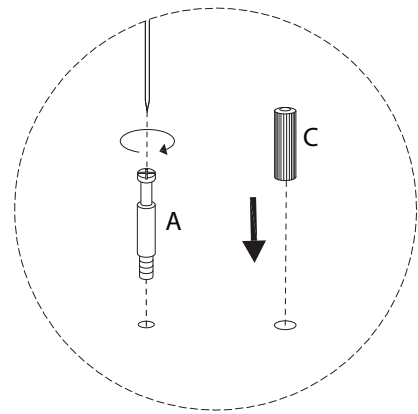
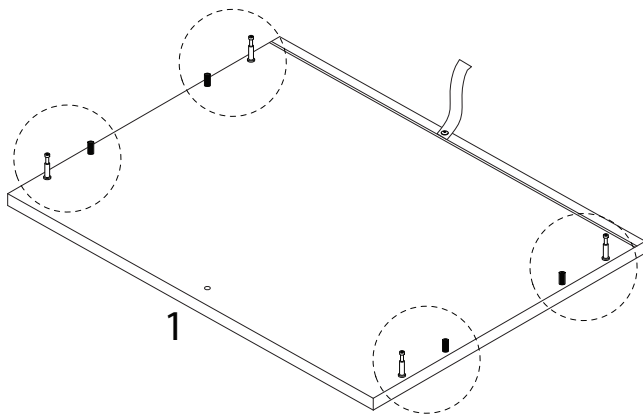
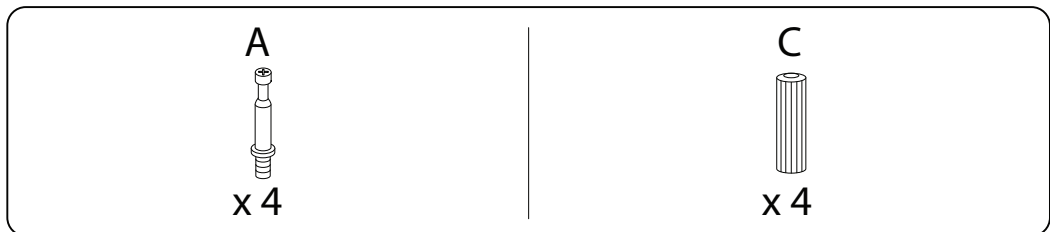
14



15



16

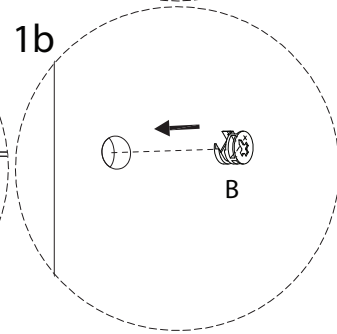
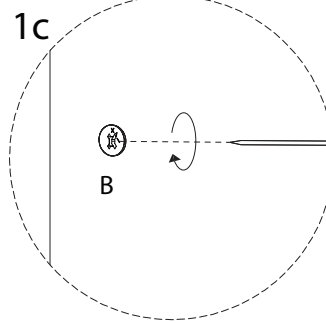
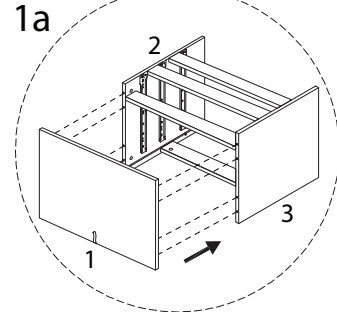
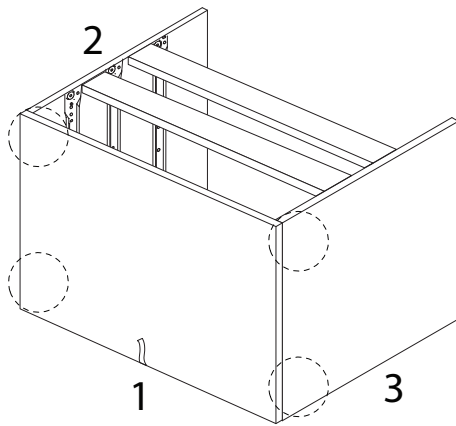


17

B

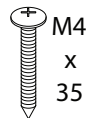


x 4

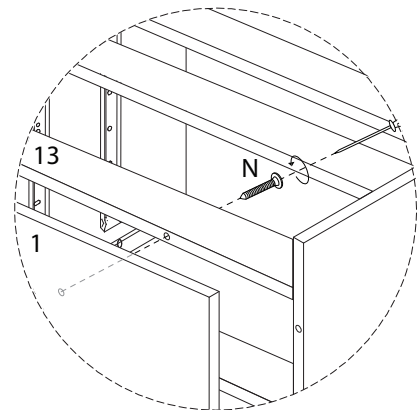
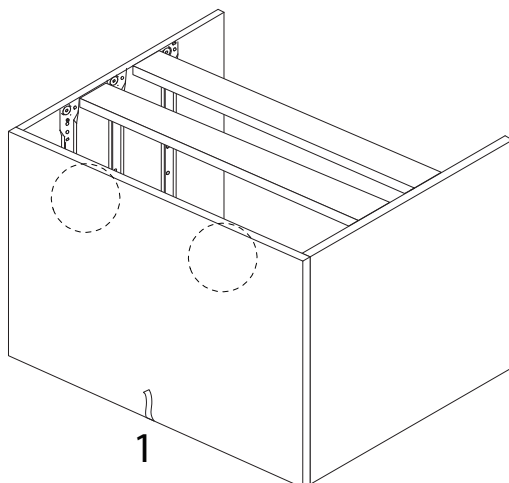


18

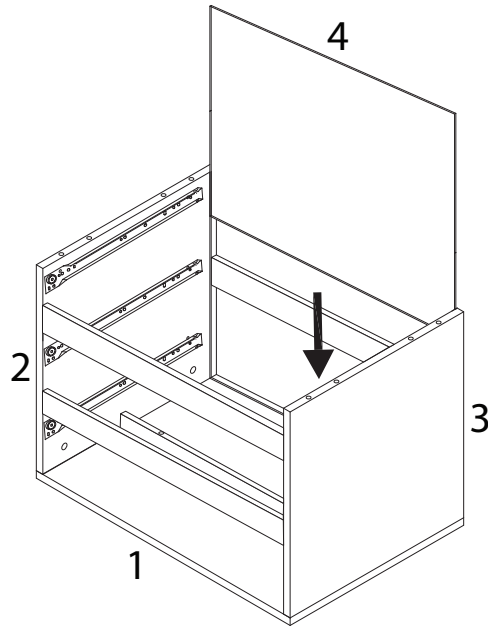
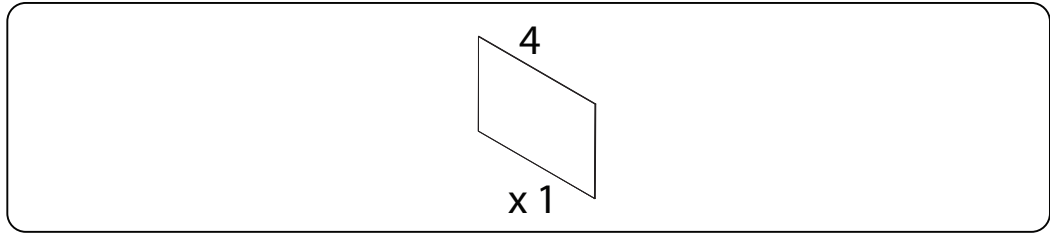
N



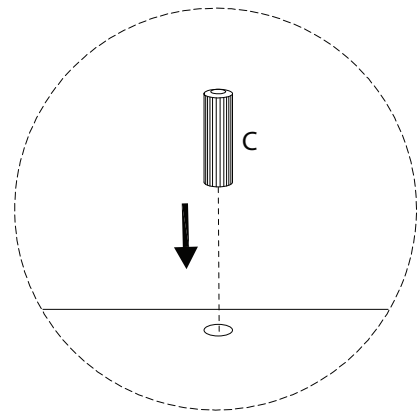
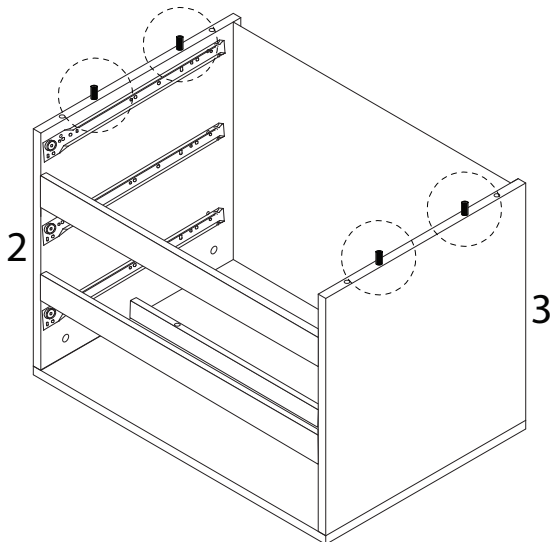
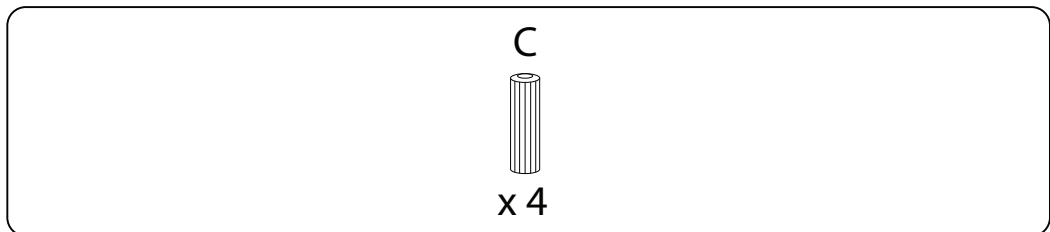
x 2



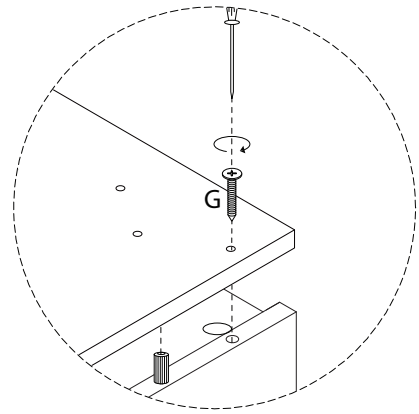
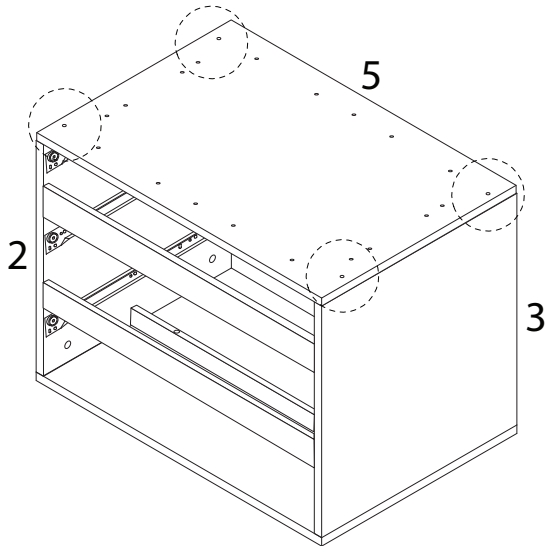
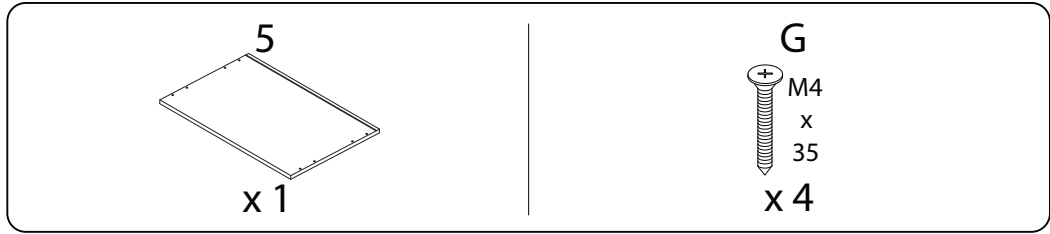
19



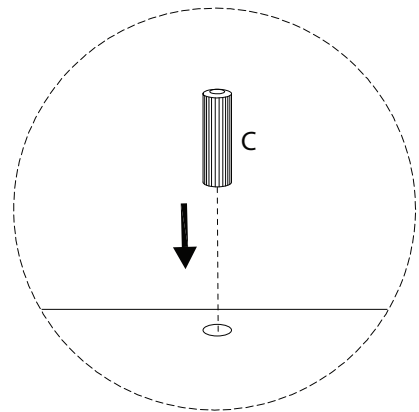
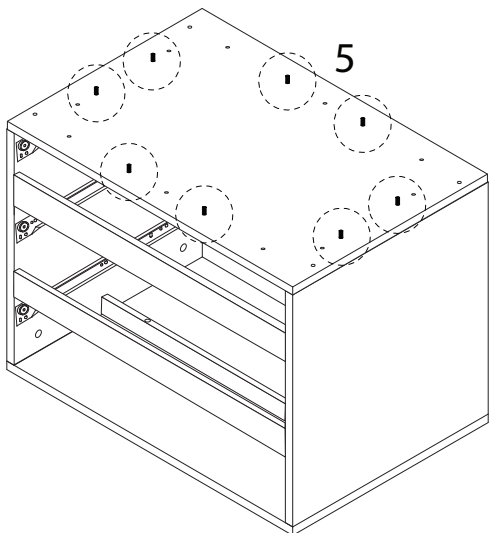
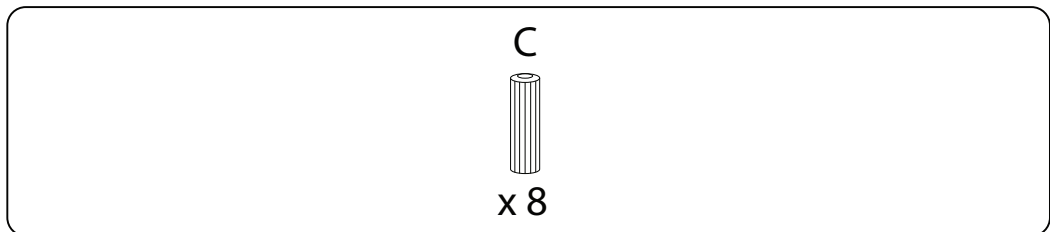
20



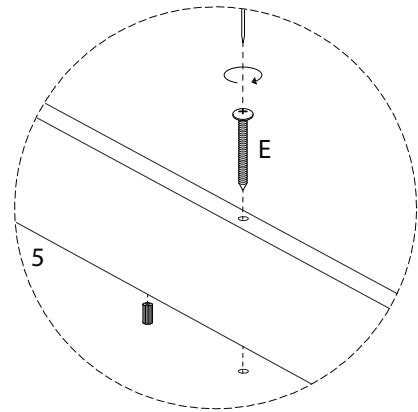
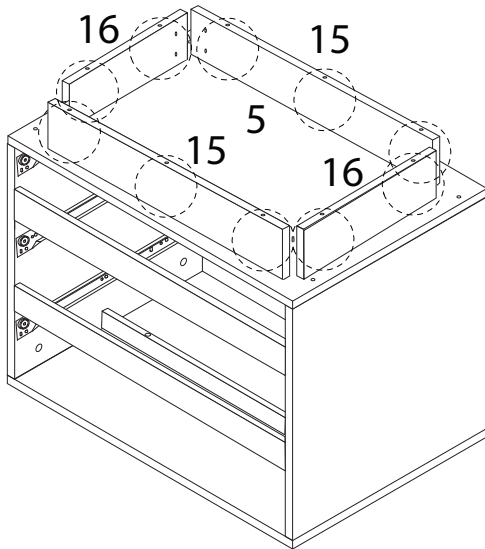
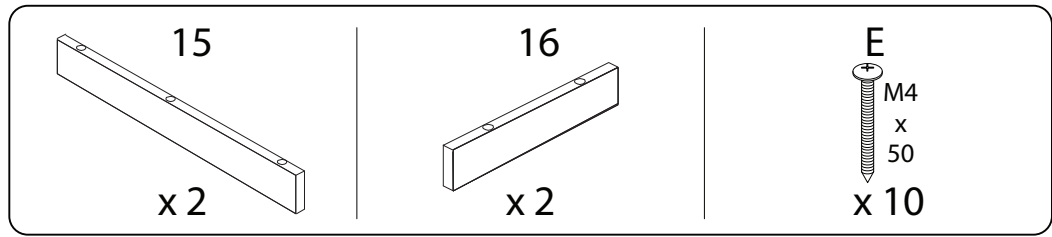
21



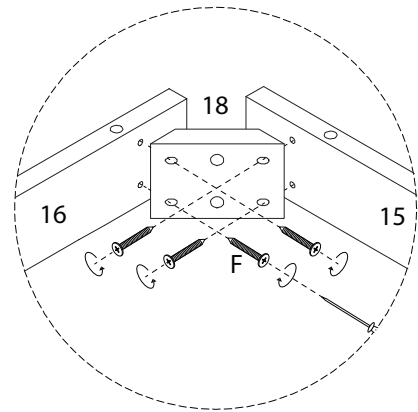
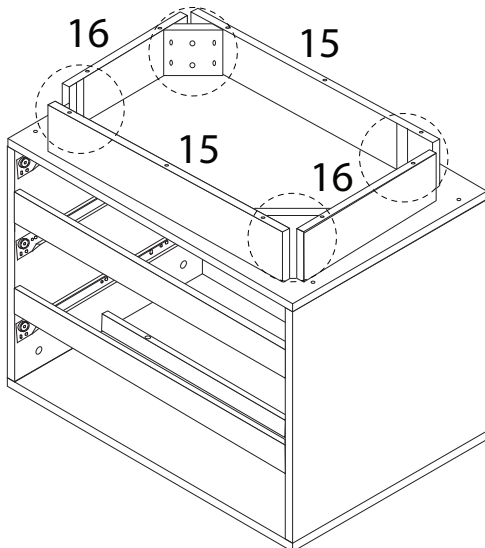
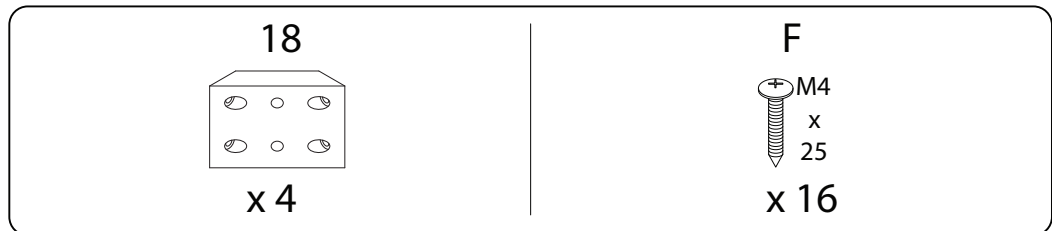
22



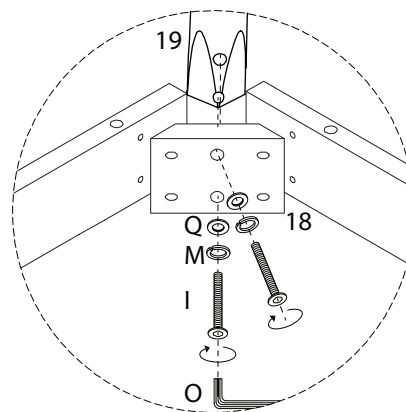
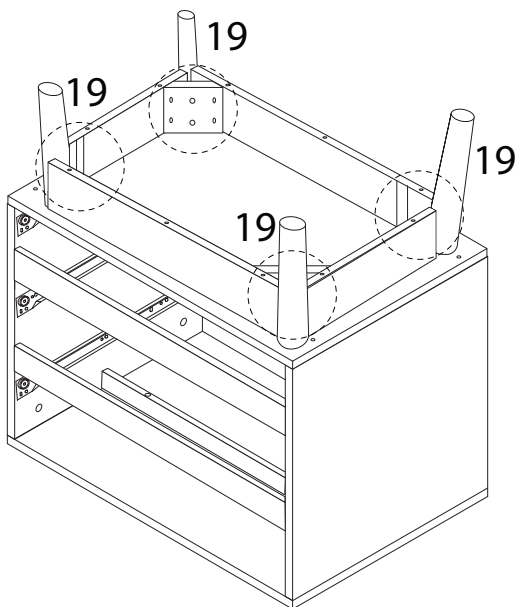
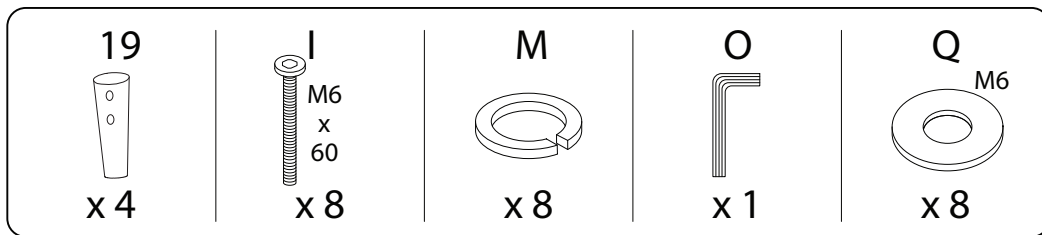
23



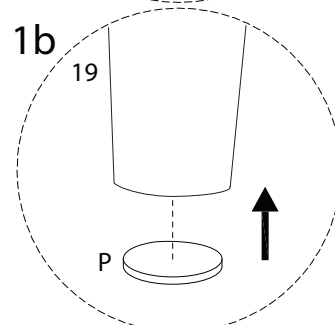
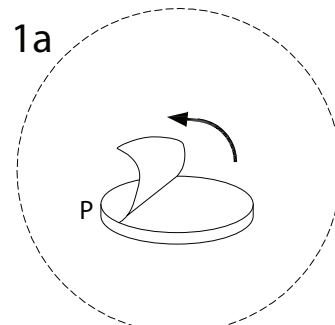
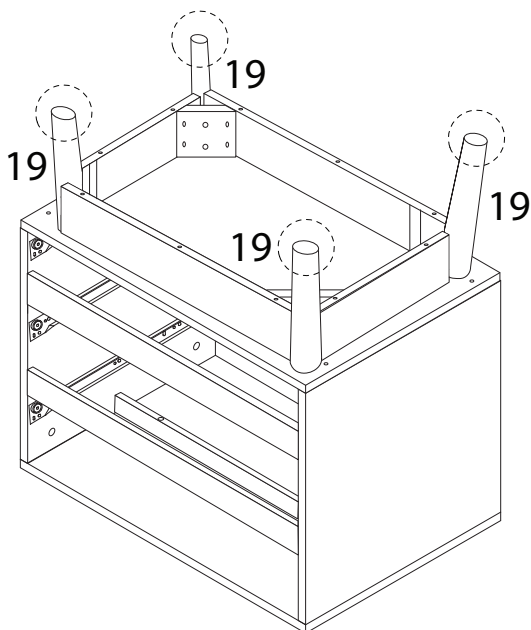
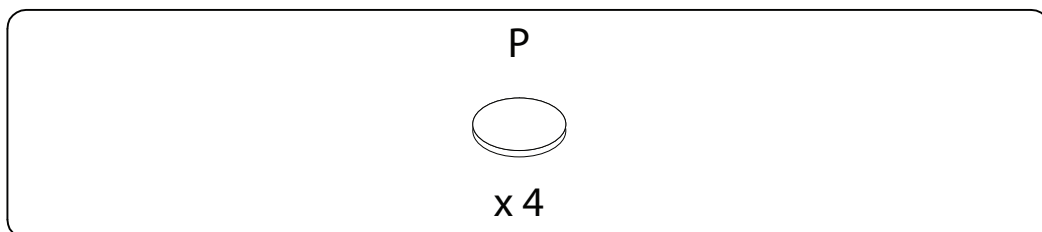
24



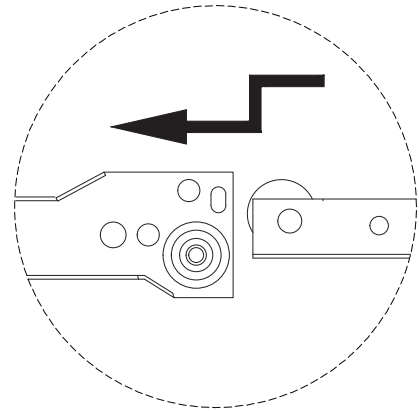
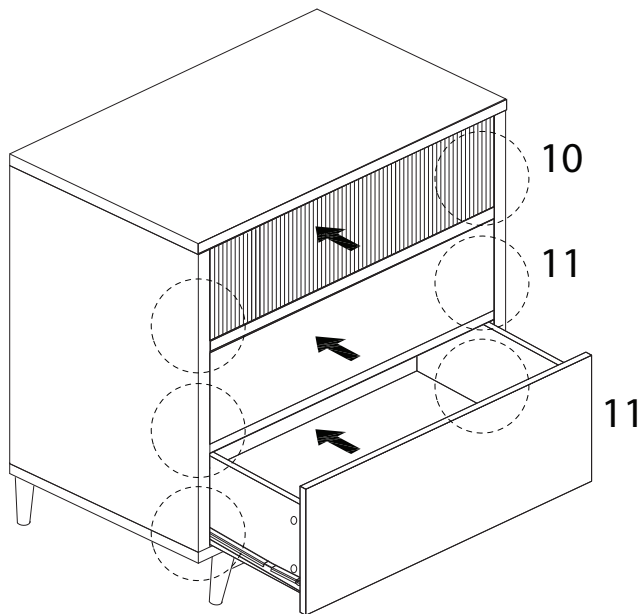
25



26



27



!

G
M4
x
35
x 1

T
x 1

