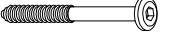


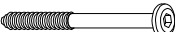
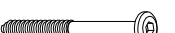


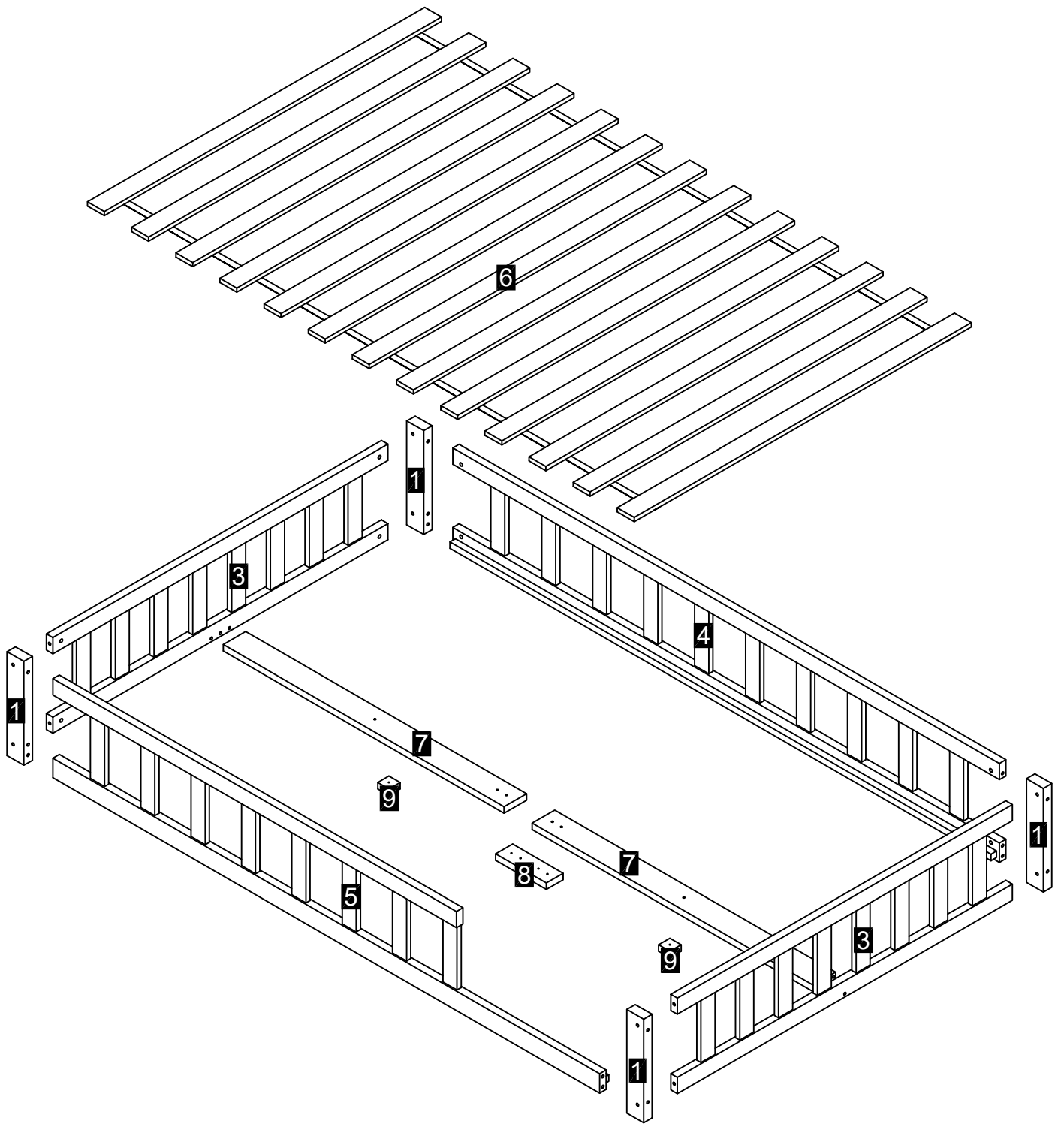
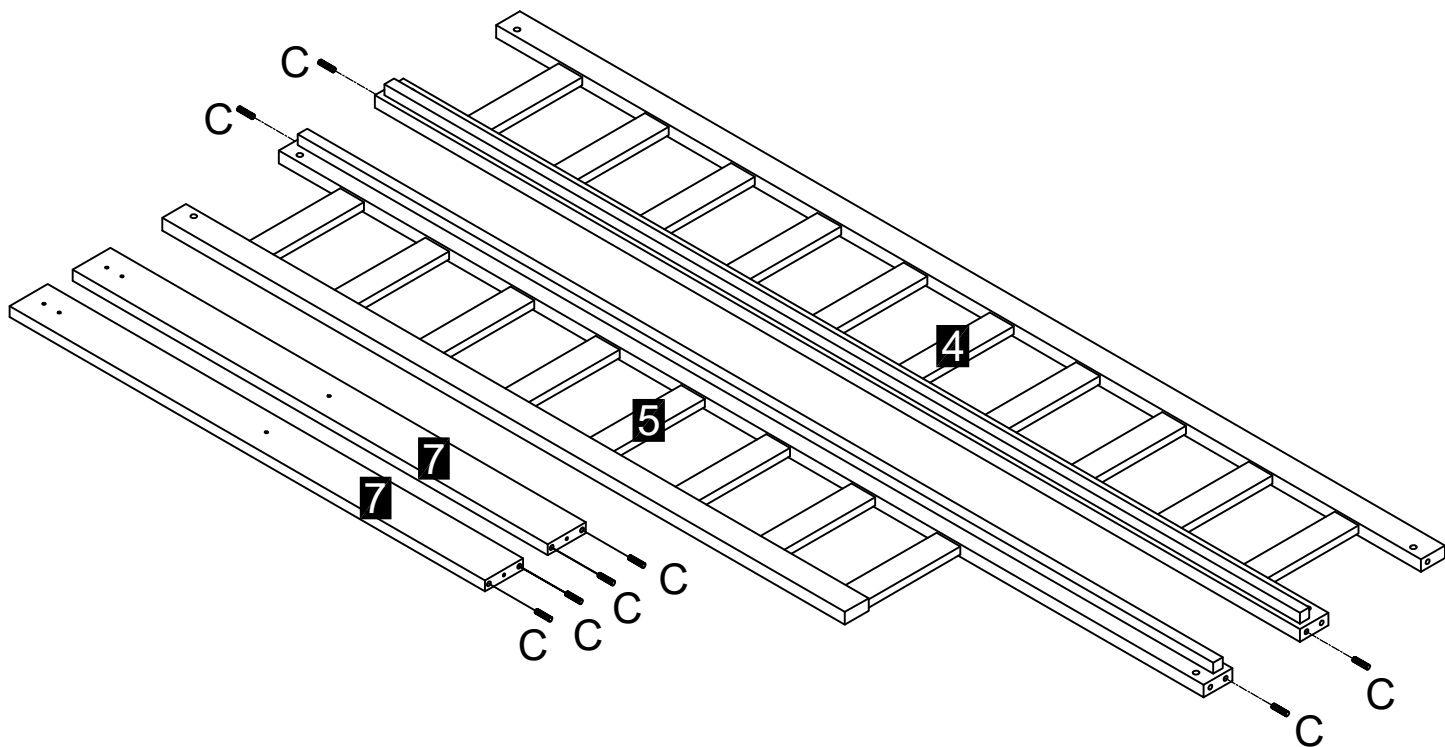



A		M6*70mm	8
B			15
C		Φ8*30mm	8
D		M6*100mm	7
G		Φ6*70mm	2
E		Φ4*30mm	32
F		4 mm	1

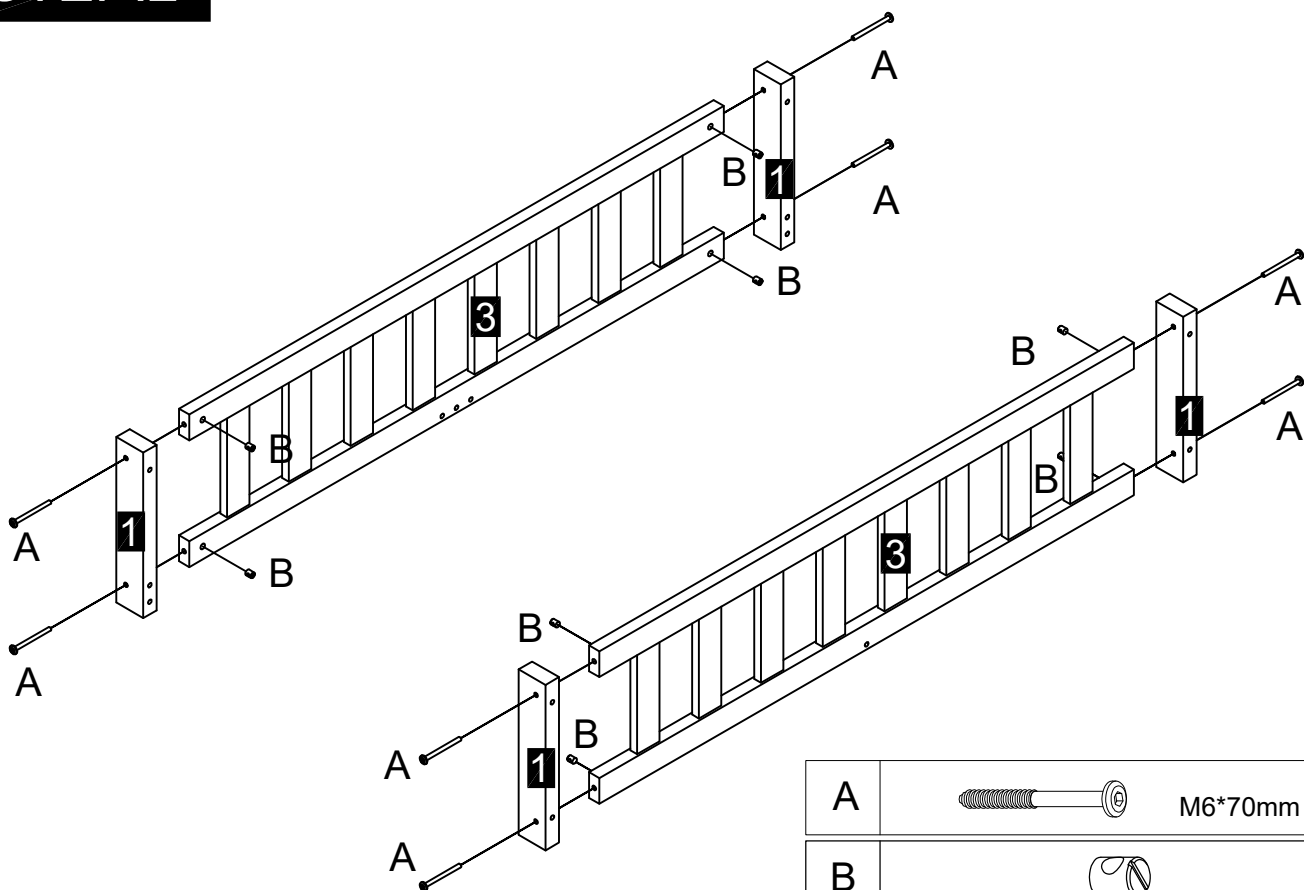


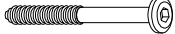

STEP:1



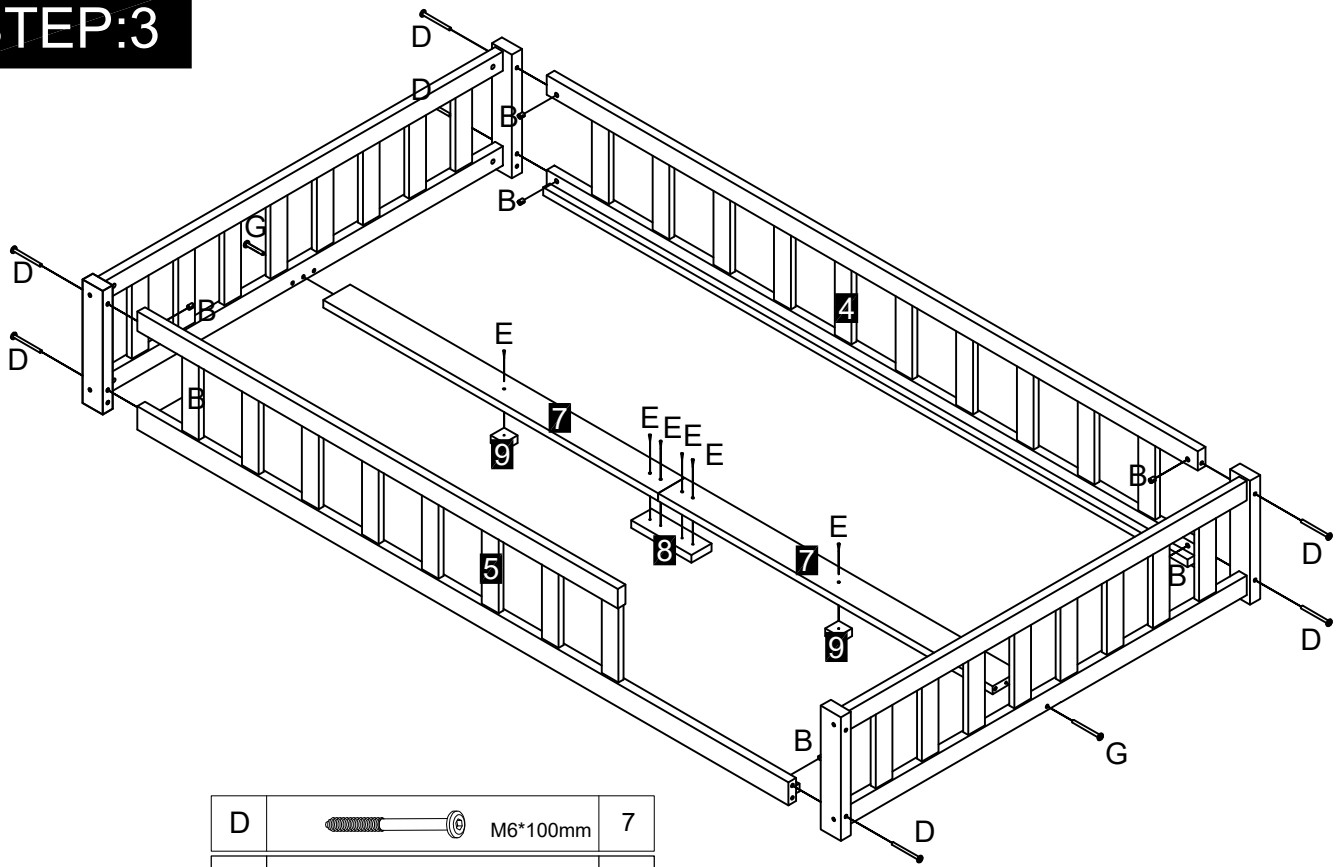
C		Φ8*30mm	8
---	--	---------	---





STEP:2



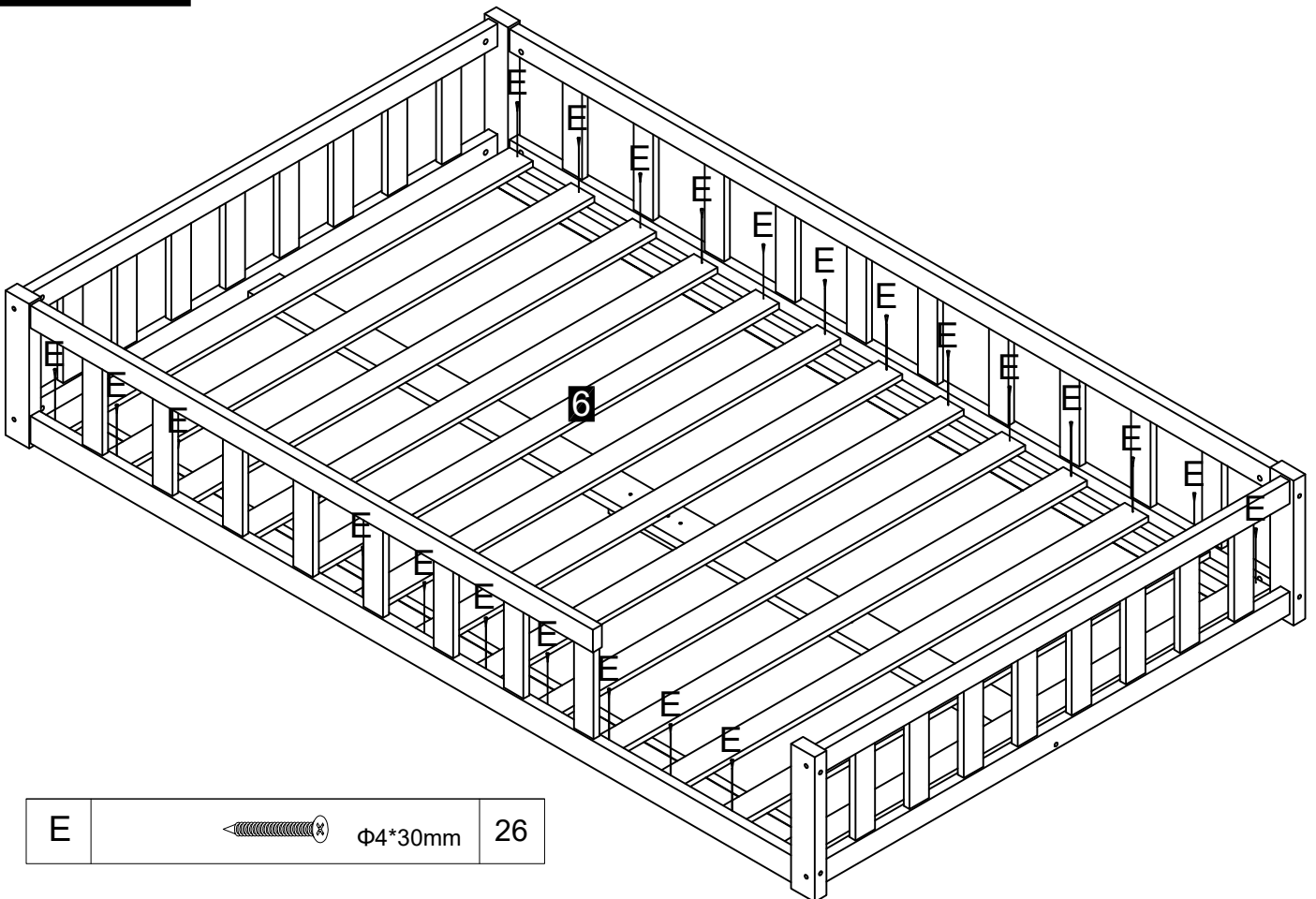
A		M6*70mm	8
B			8


STEP:3



D		M6*100mm	7
B			7
G		Φ6*70mm	2
E		Φ4*30mm	6

STEP:4



E		Φ4*30mm	26
---	---	---------	----