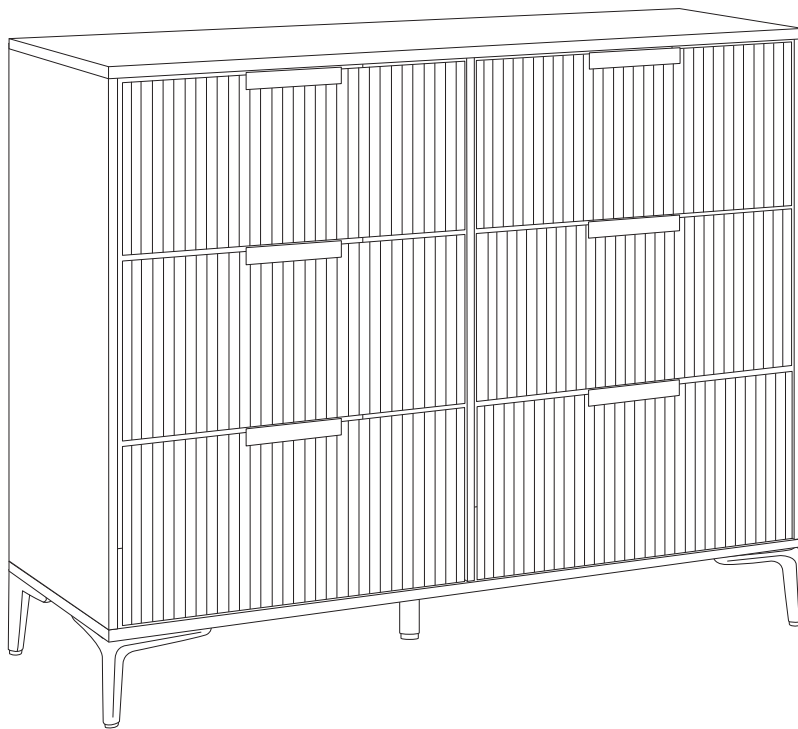
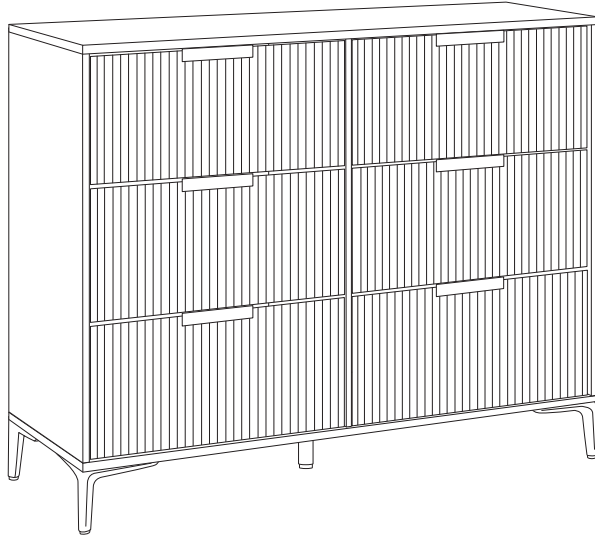


WALCOTT



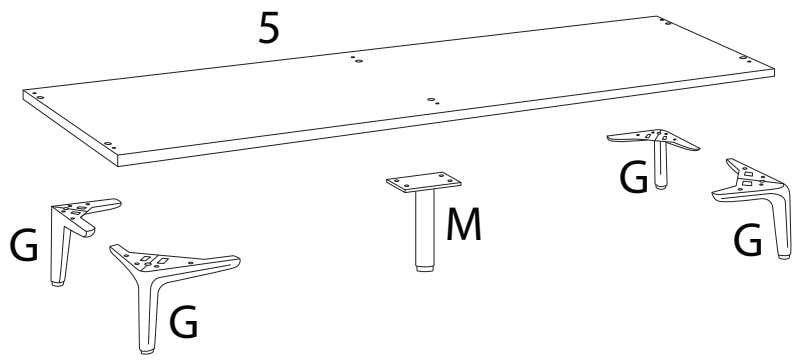
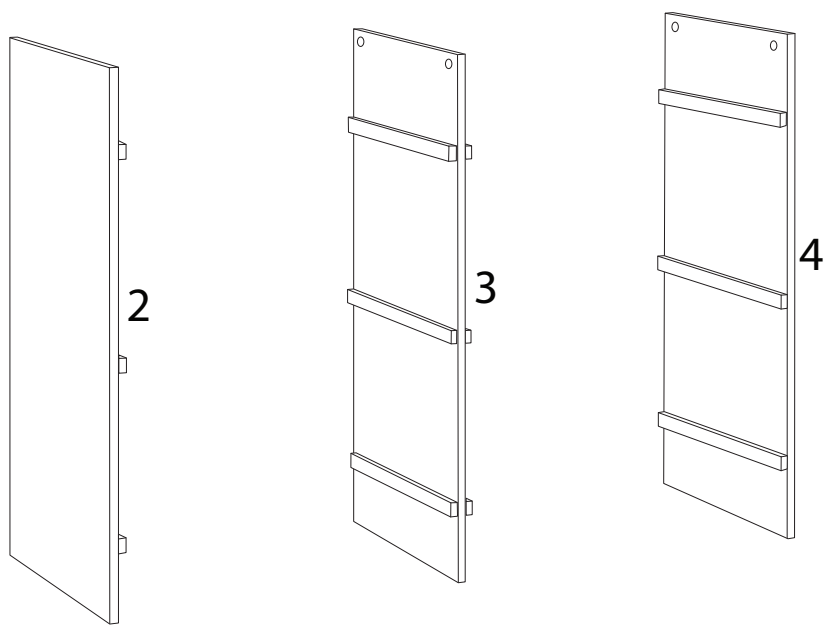
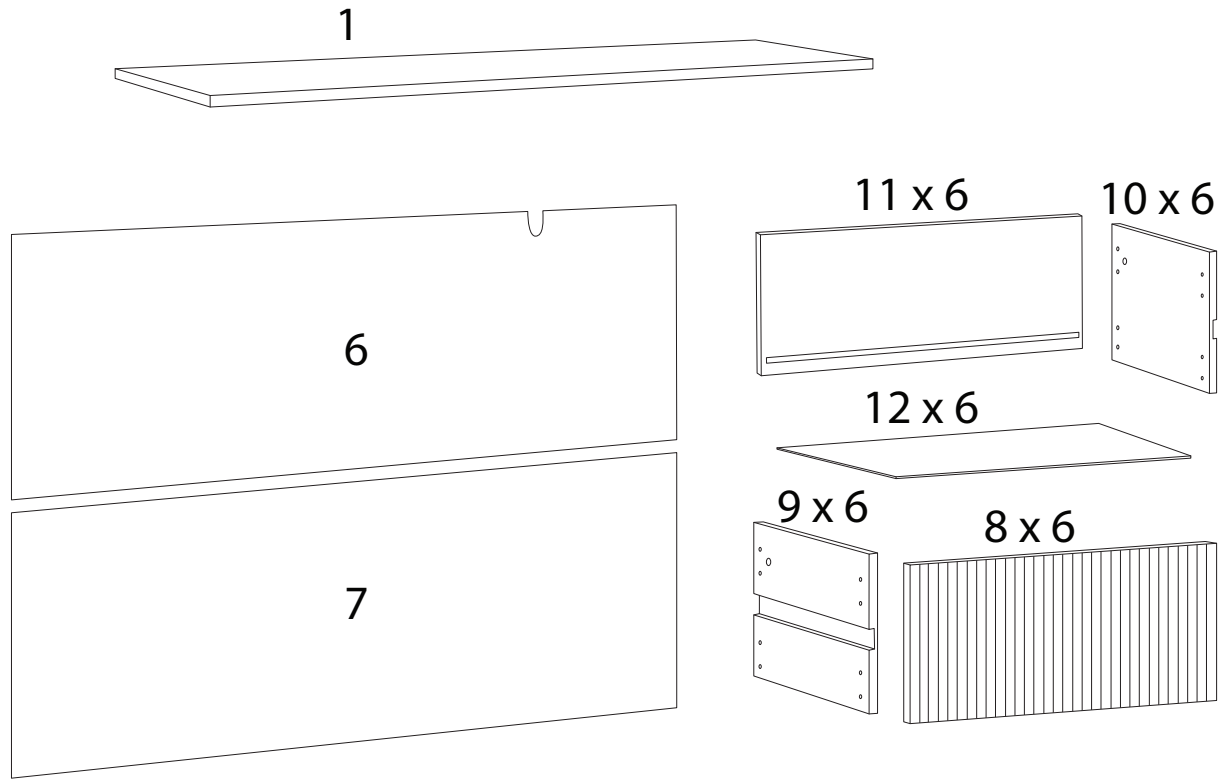


Assembly instructions for the cabinet, including tool requirements, time estimate, and personnel needed.

Tools: A circular icon contains a screwdriver, a hammer, and a power drill. A warning triangle with an exclamation mark is positioned to the right of this icon.

Time: A clock icon is shown, with the text "60'" below it, indicating a 60-minute assembly time.

Personnel: A person icon is shown, with the text "2" below it, indicating that two people are required for assembly.

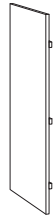


1



x 1

2



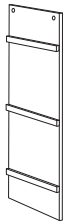
x 1

3



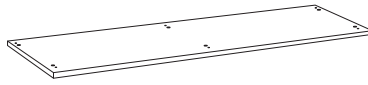
x 1

4



x 1

5



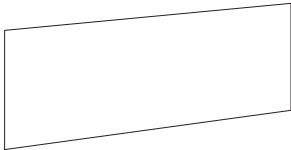
x 1

6



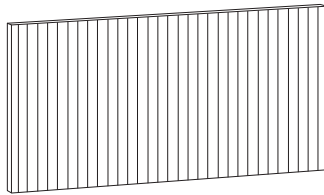
x 1

7



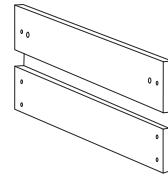
x 1

8



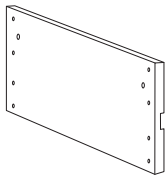
x 6

9



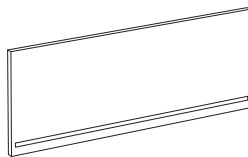
x 6

10



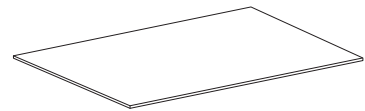
x 6

11



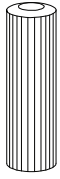
x 6

12



x 6

A



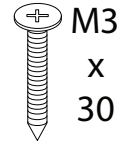
x 24

B



x 20

C



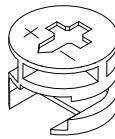
x 96

D



x 30

E



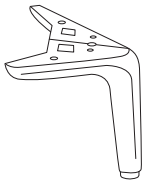
x 12

F



x 12

G



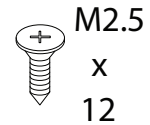
x 4

H



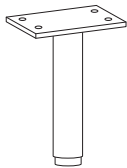
x 6

J



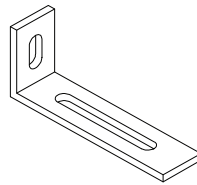
x 12

M



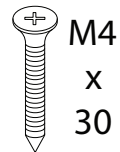
x 1

O



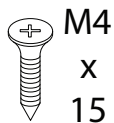
x 1

P



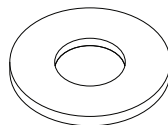
x 1

R



x 1

S



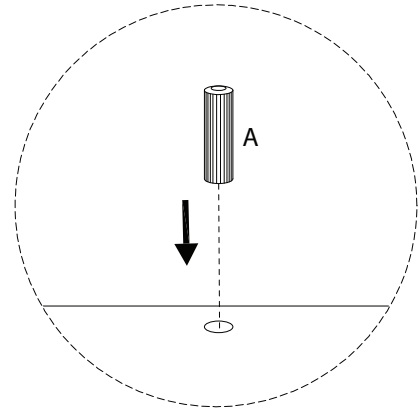
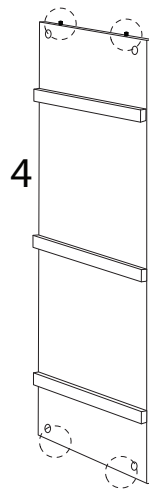
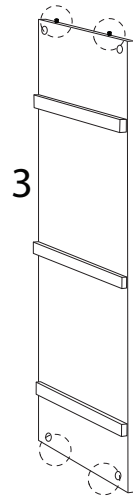
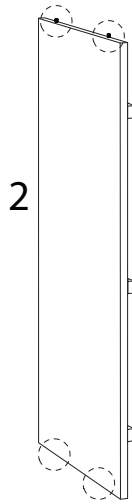
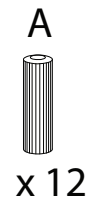
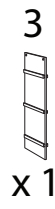
x 2

T



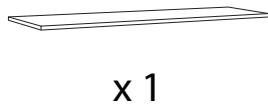
x 1

1

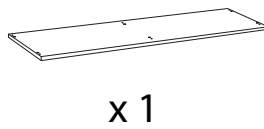


2

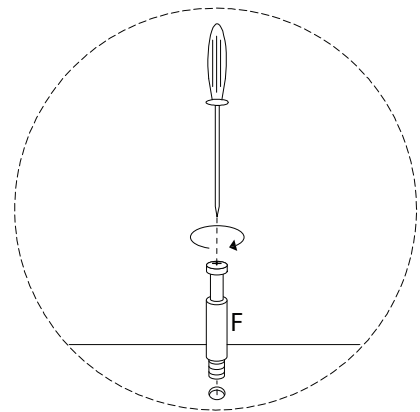
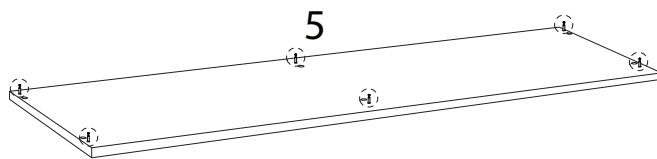
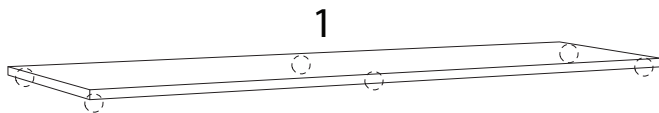
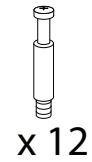
1



5

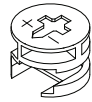


F

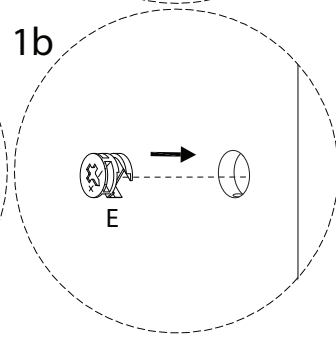
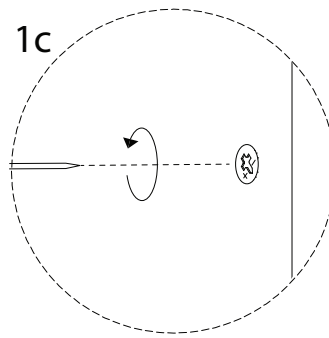
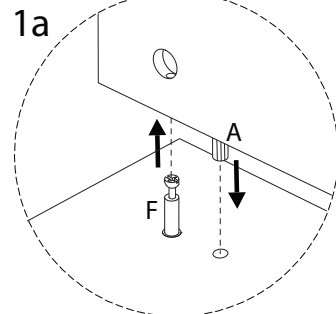
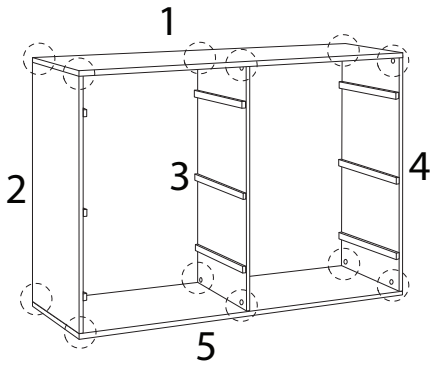


3

E



x 12



4

6



x 1

7

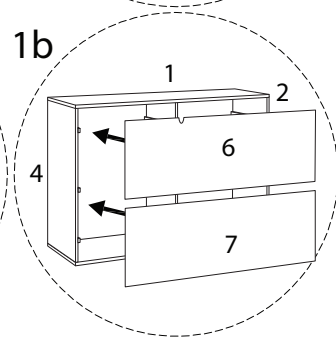
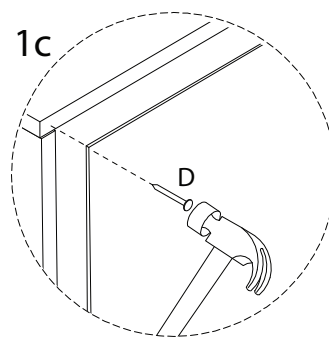
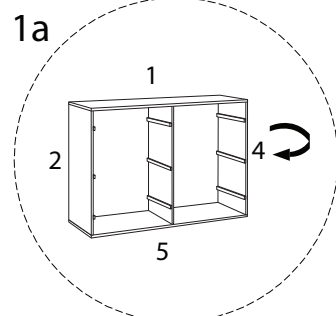
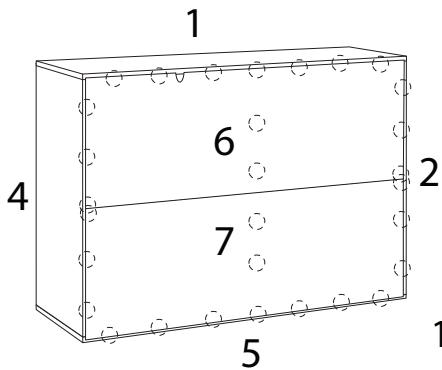


x 1

D



x 30

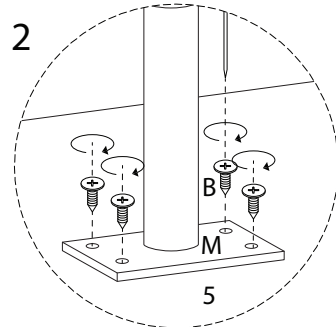
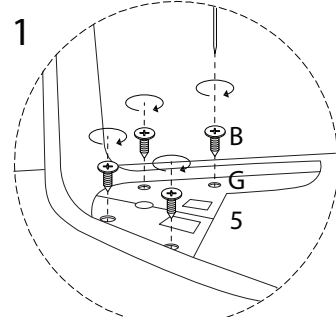
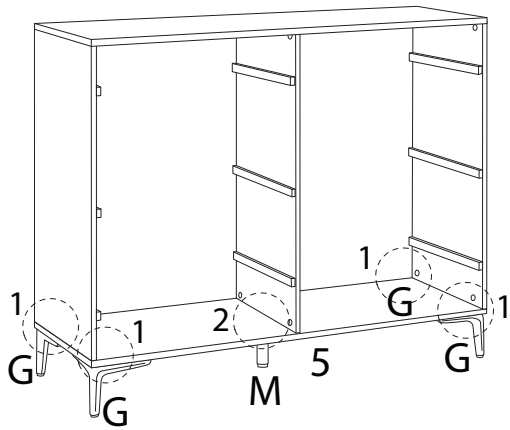


5

B
M4
x
15
x 20

G
x 4

M
x 1



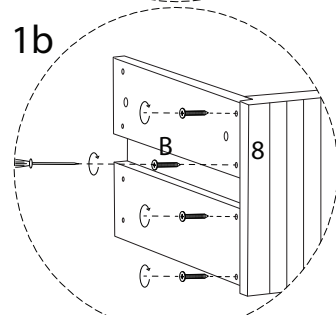
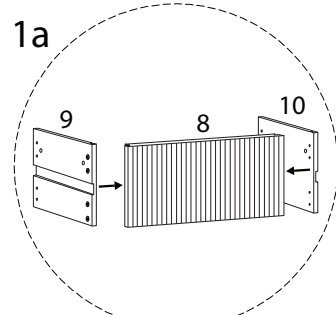
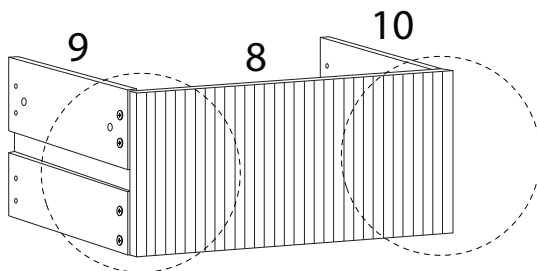
6 x 6

8
x 1

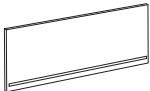
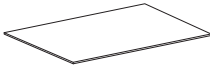
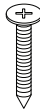
9
x 1

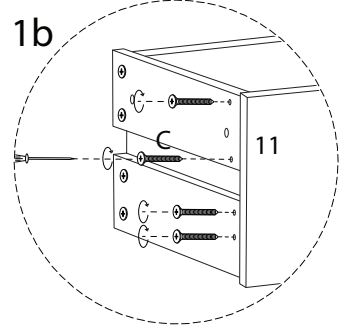
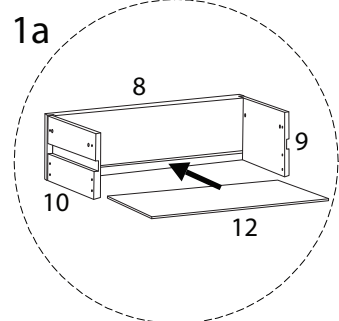
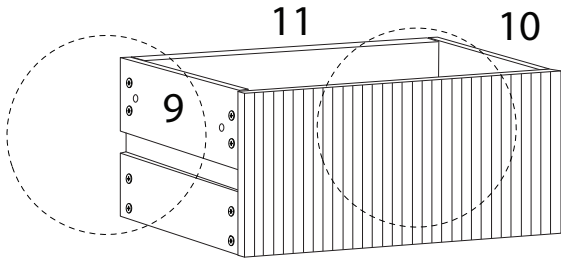
10
x 1

C
M3
x
30
x 8





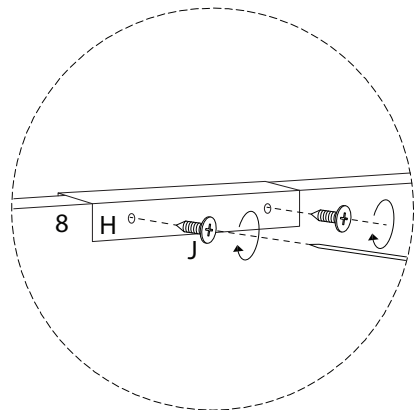
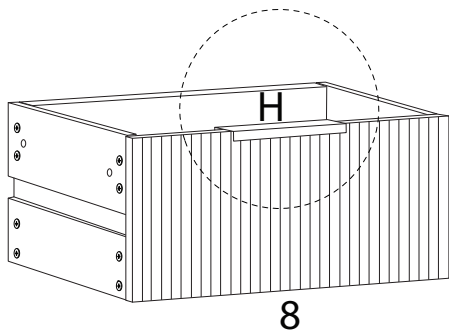
7 x 6

11  x1	12  x1	C  x 8
---	---	---



8 x 6

H  x1	J  x 12
--	--

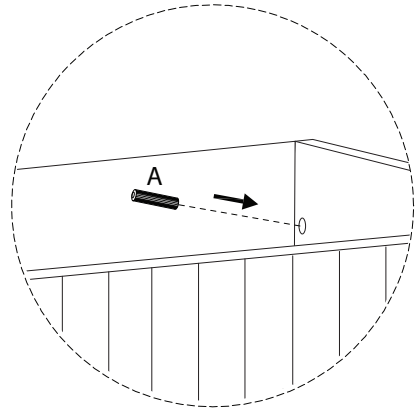
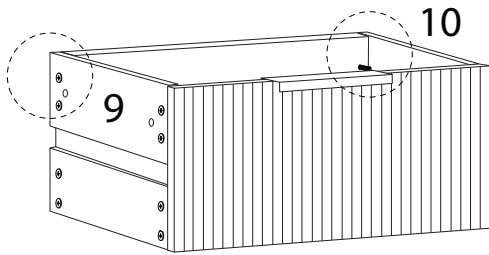


9 x 6

A



x 2

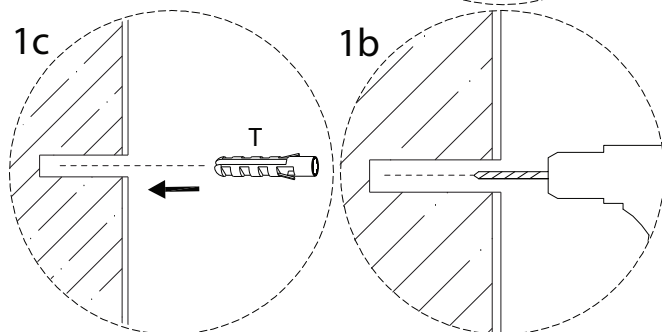
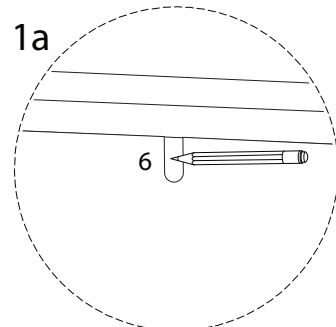
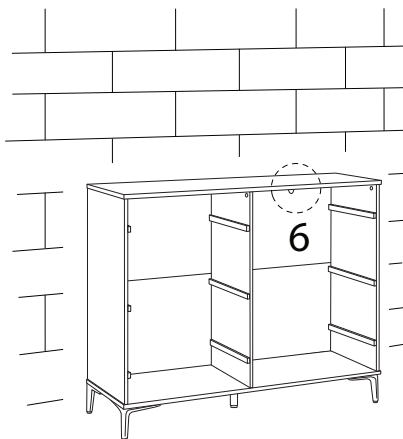


10

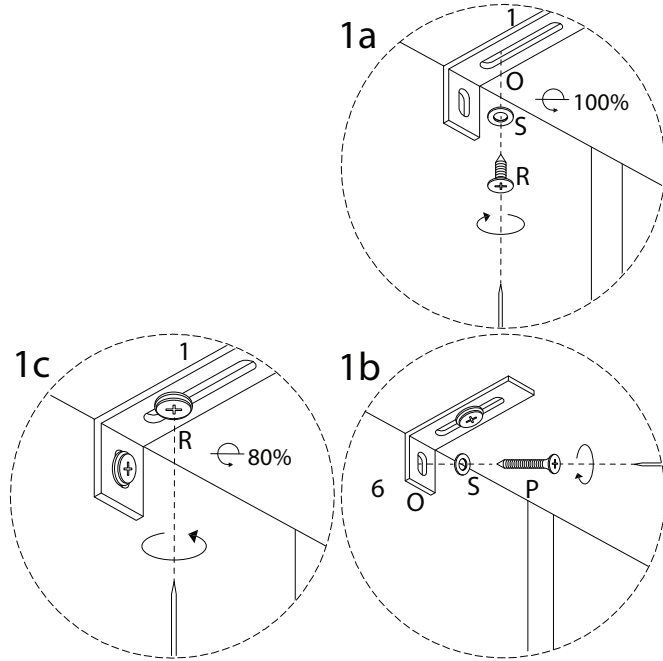
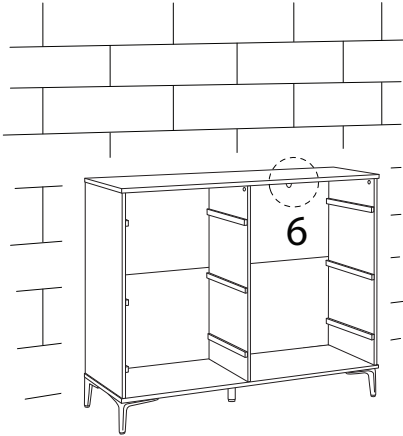
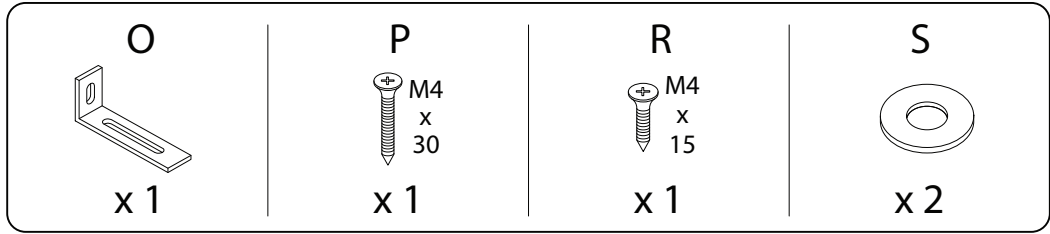
T



x 1



11



!

