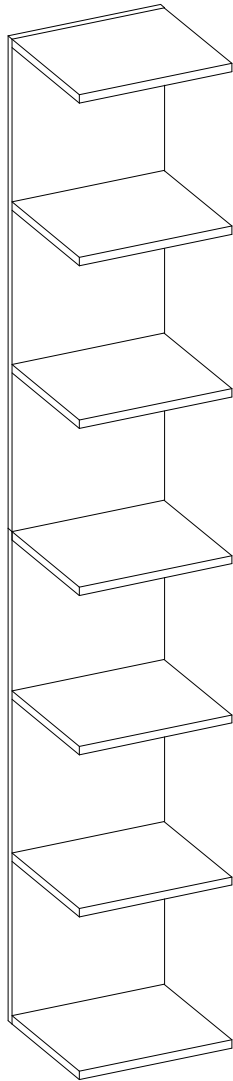
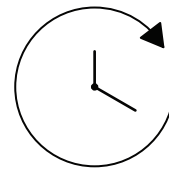
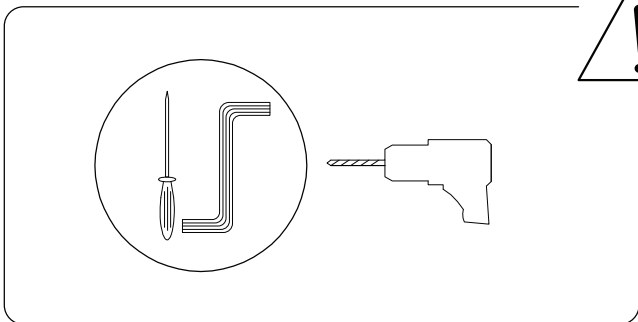
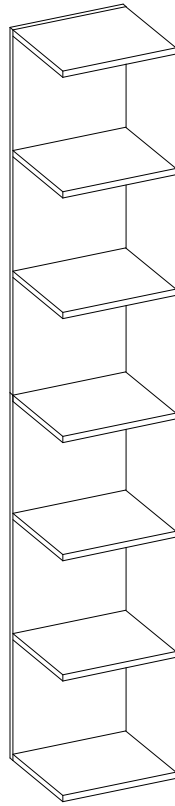
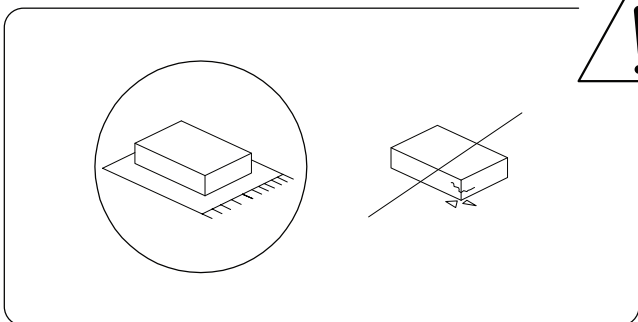


# ESTON



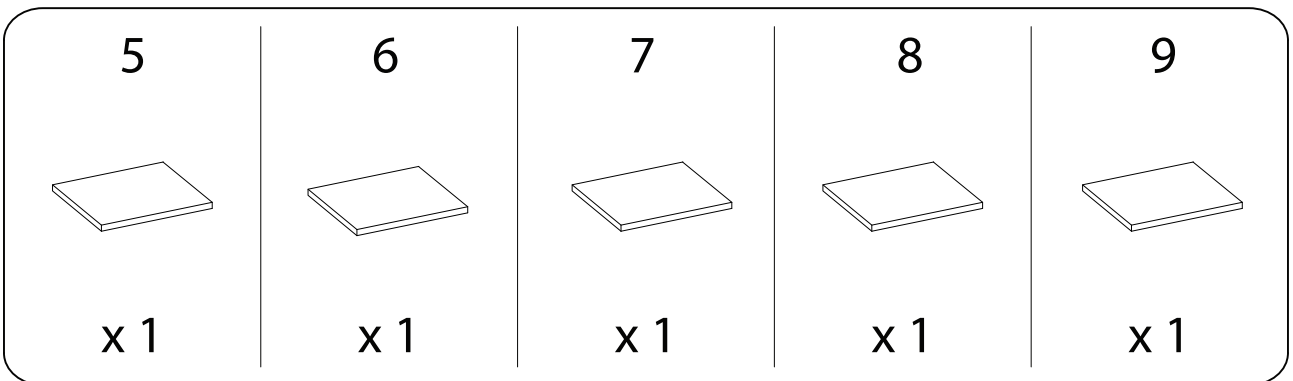
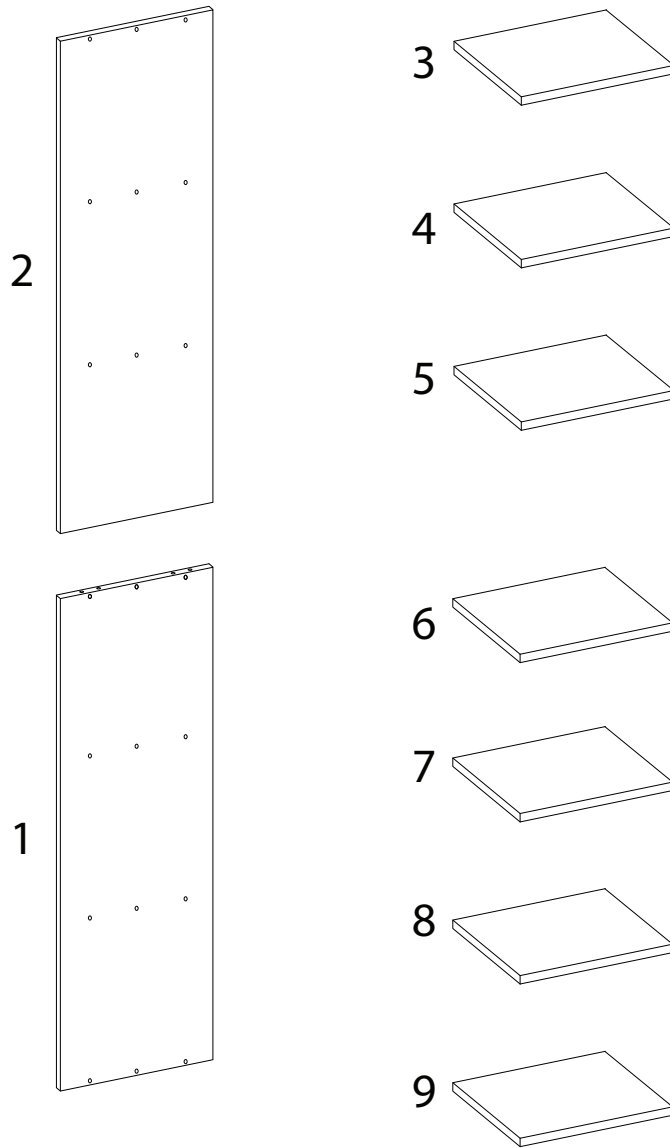
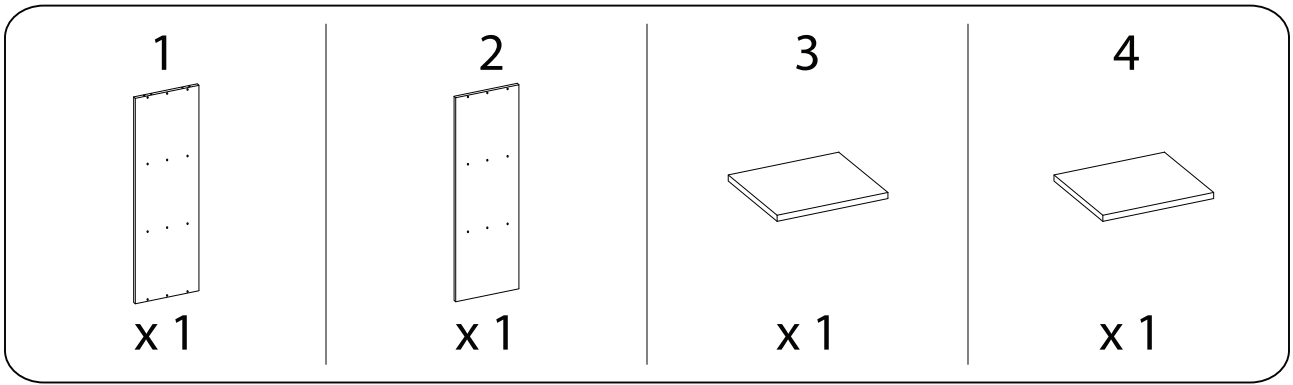


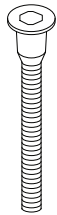
60'




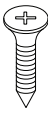
2

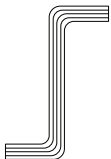
1/8

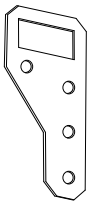


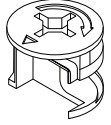
**A**  
  
M6.5  
x  
50  
x 21


**B**  
  
x 2

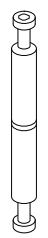
**E**  
  
M3.5  
x  
16  
x 12


**G**  
  
x 1

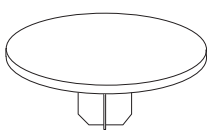
**M**  
  
x 4


**R**  
  
x 4

**T**  
  
M6.3  
x  
13  
x 16

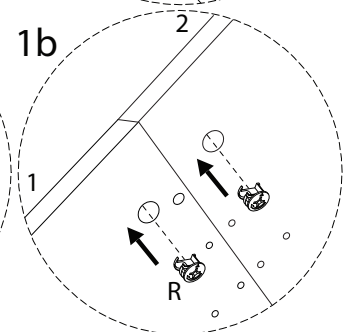
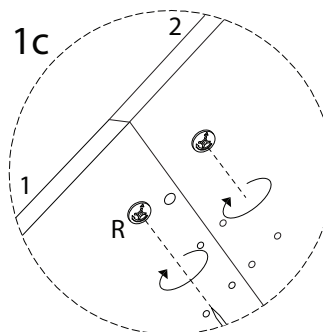
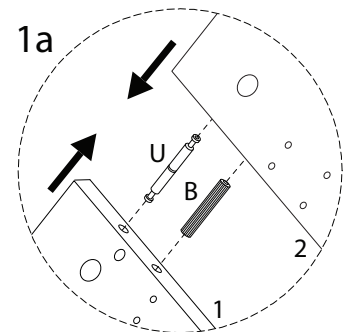
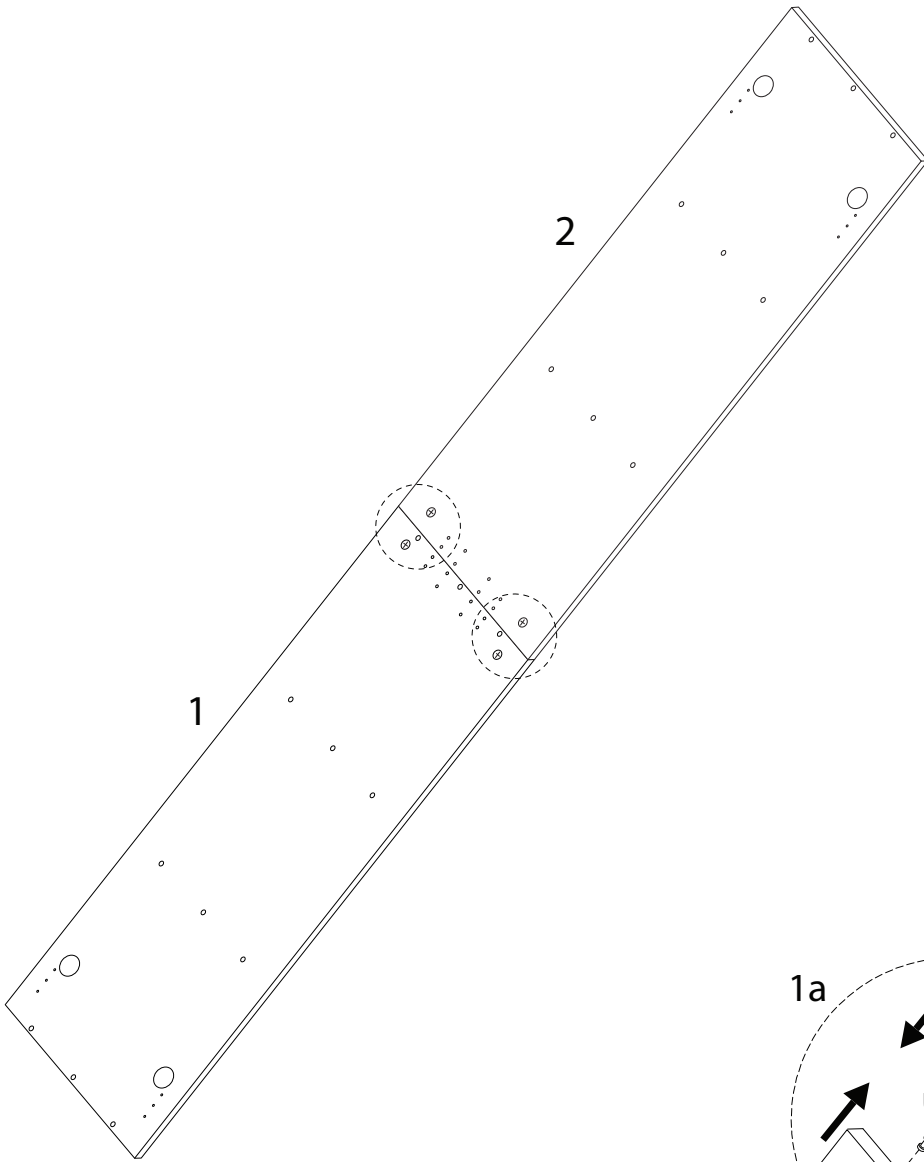
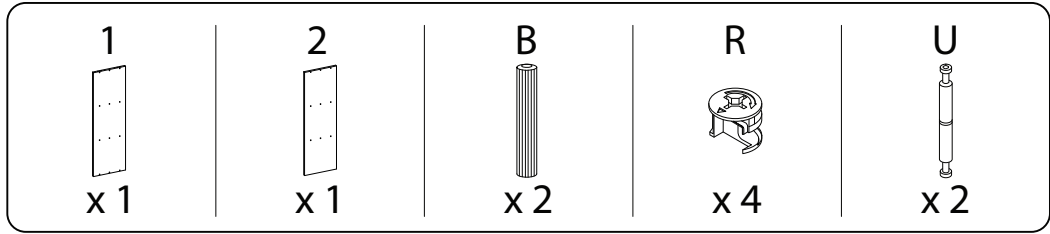
**U**  
  
x 2

**Y**  
  
x 2

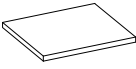
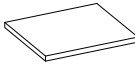
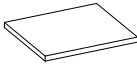
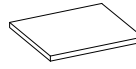
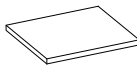
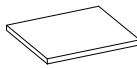
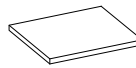

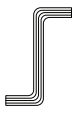
**Z<sub>2</sub>**  
  
x 4

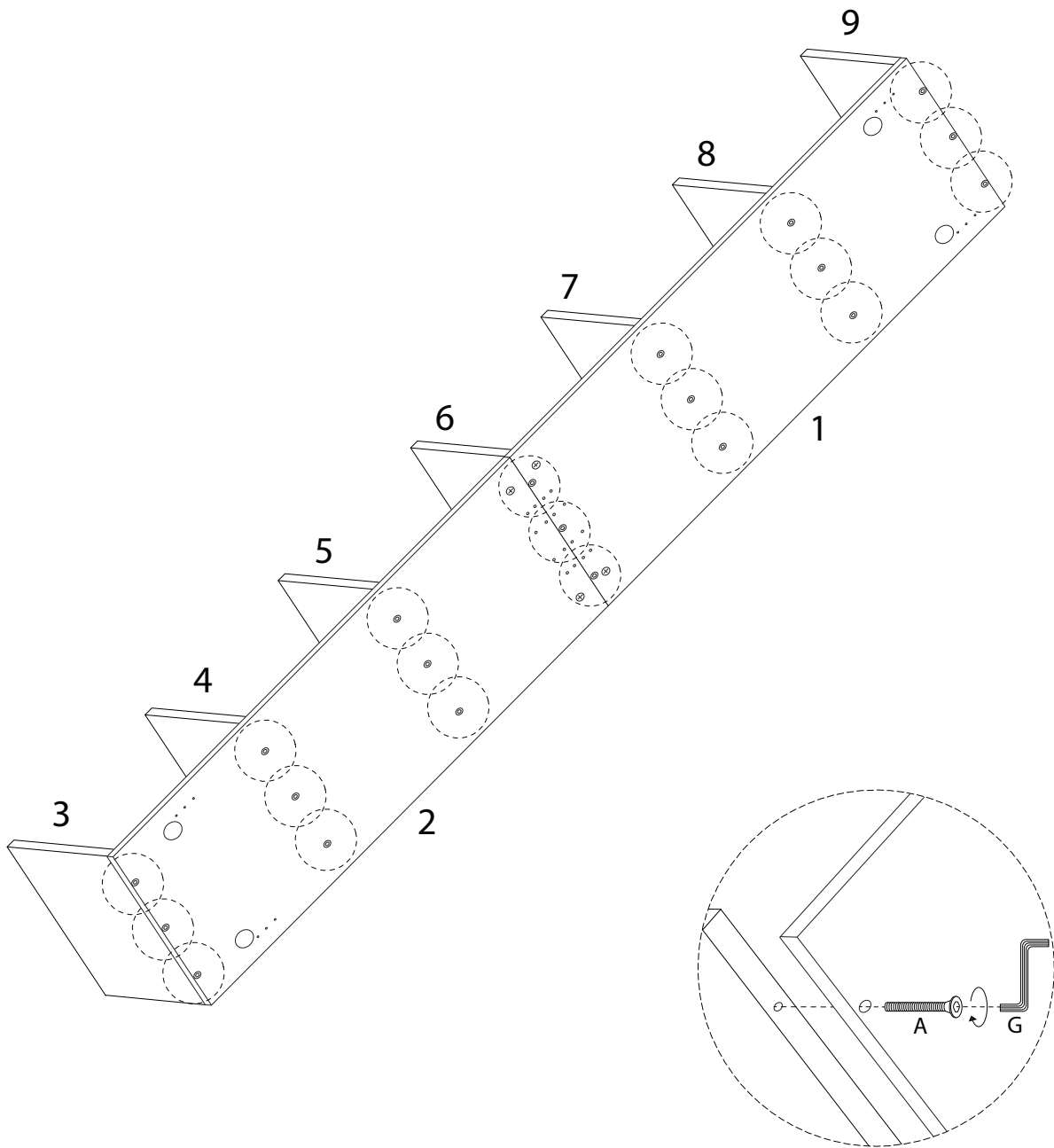
**Z<sub>3</sub>**  
  
x 21

1



2

3  x1	4  x1	5  x1	6  x1	
7  x1	8  x1	9  x1	A  M6.5 x 50 x21	G  x1



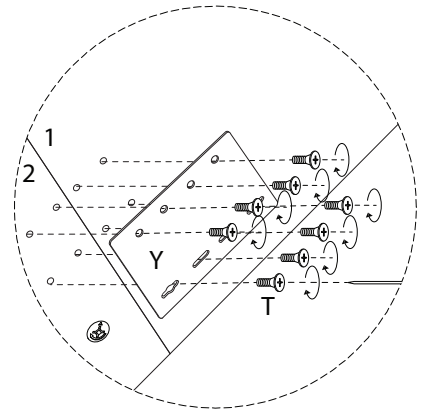
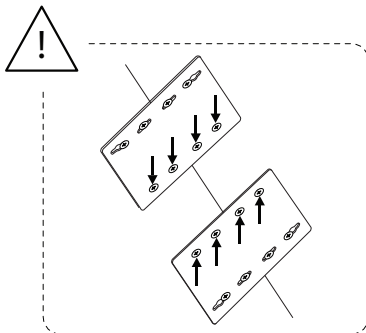
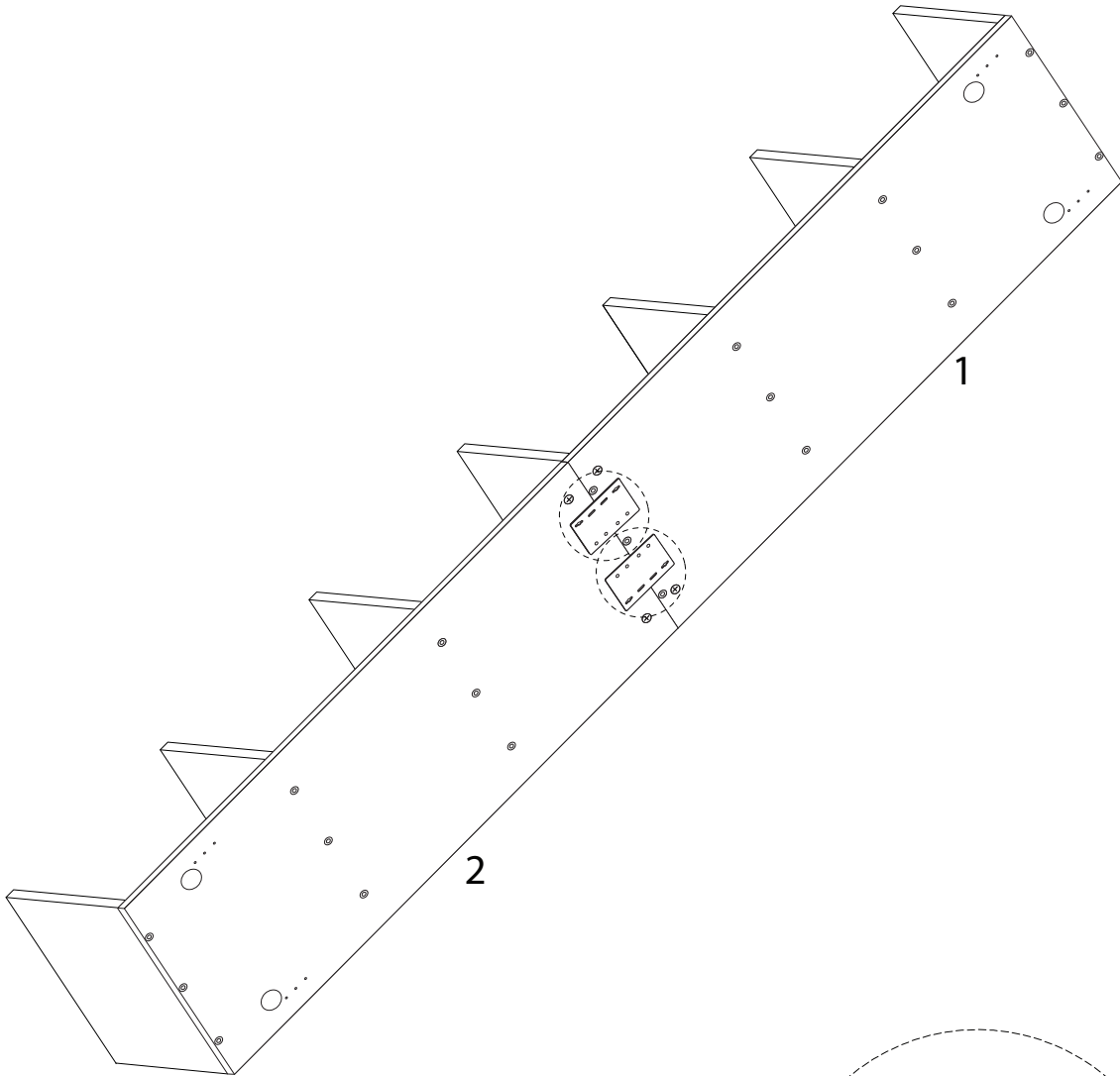
3

T

M6.3  
x  
13  
x 16

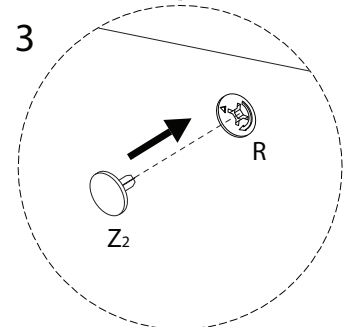
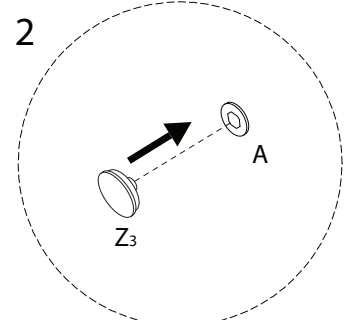
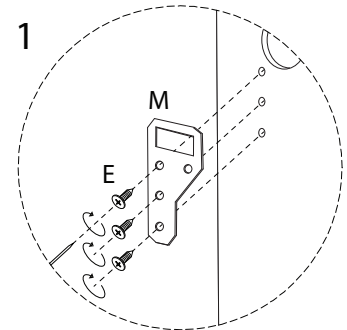
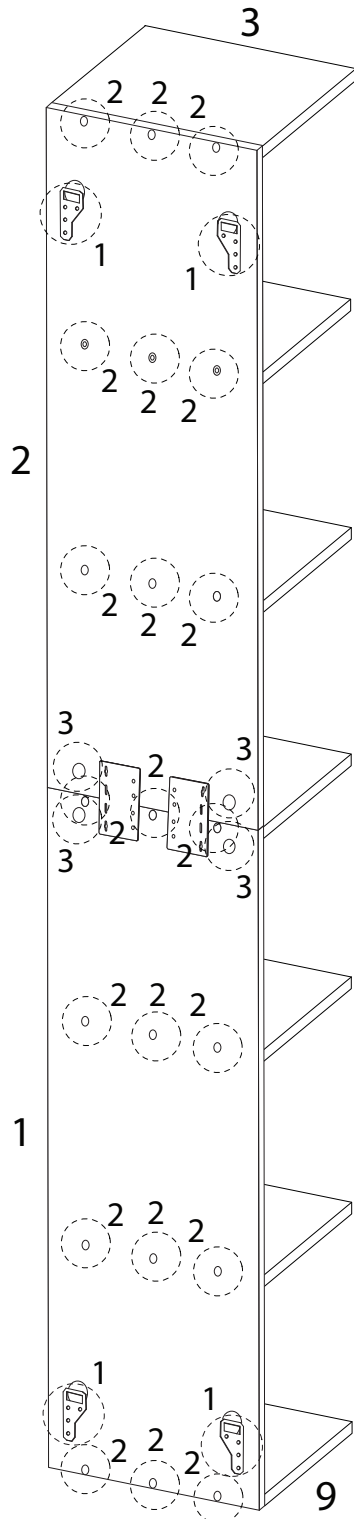
Y

x 2



4

<b>E</b> M3.5 x 16 x 12	<b>M</b> x 4	<b>Z<sub>2</sub></b> x 4	<b>Z<sub>3</sub></b> x 21
-------------------------------------	-----------------	-----------------------------	------------------------------





!

