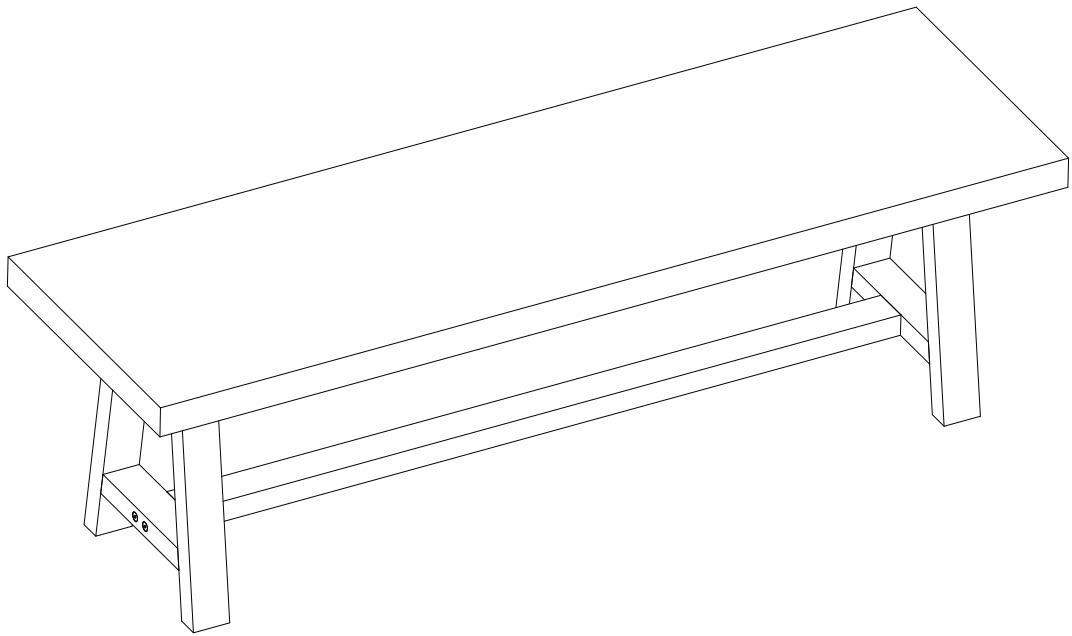
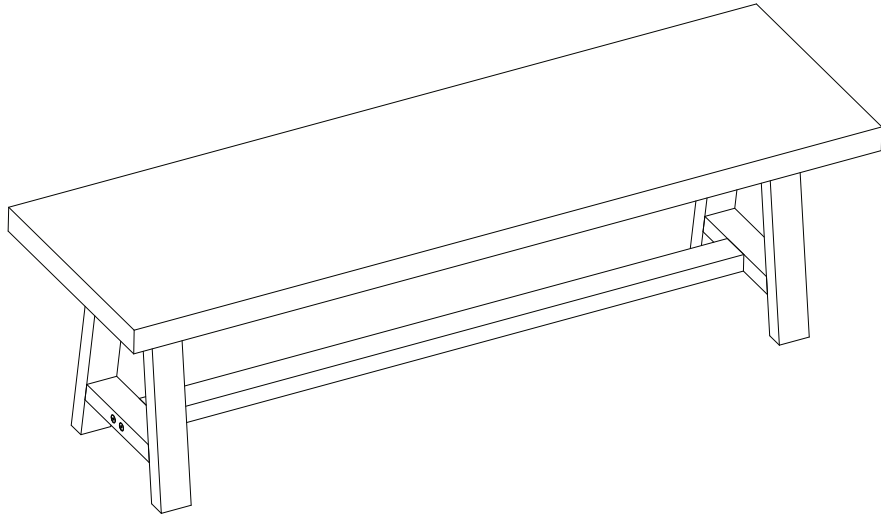


# TONNARE





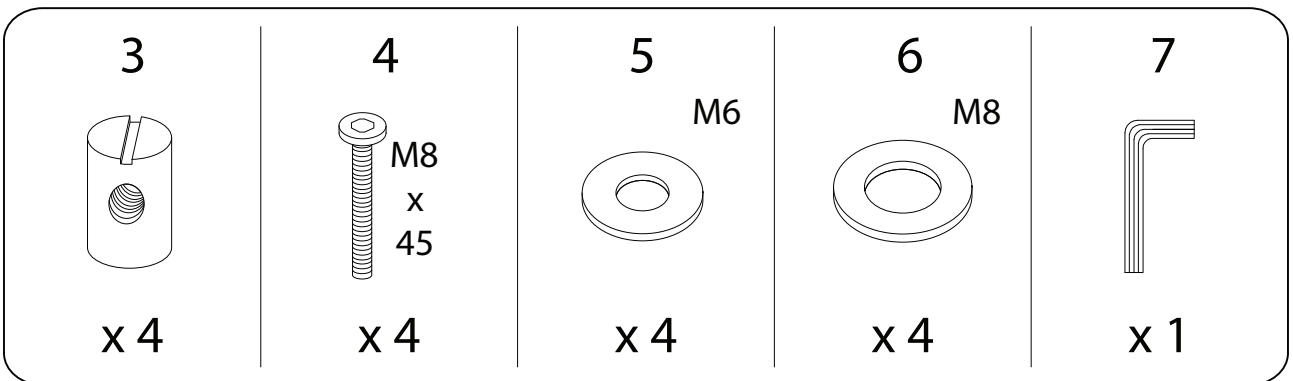
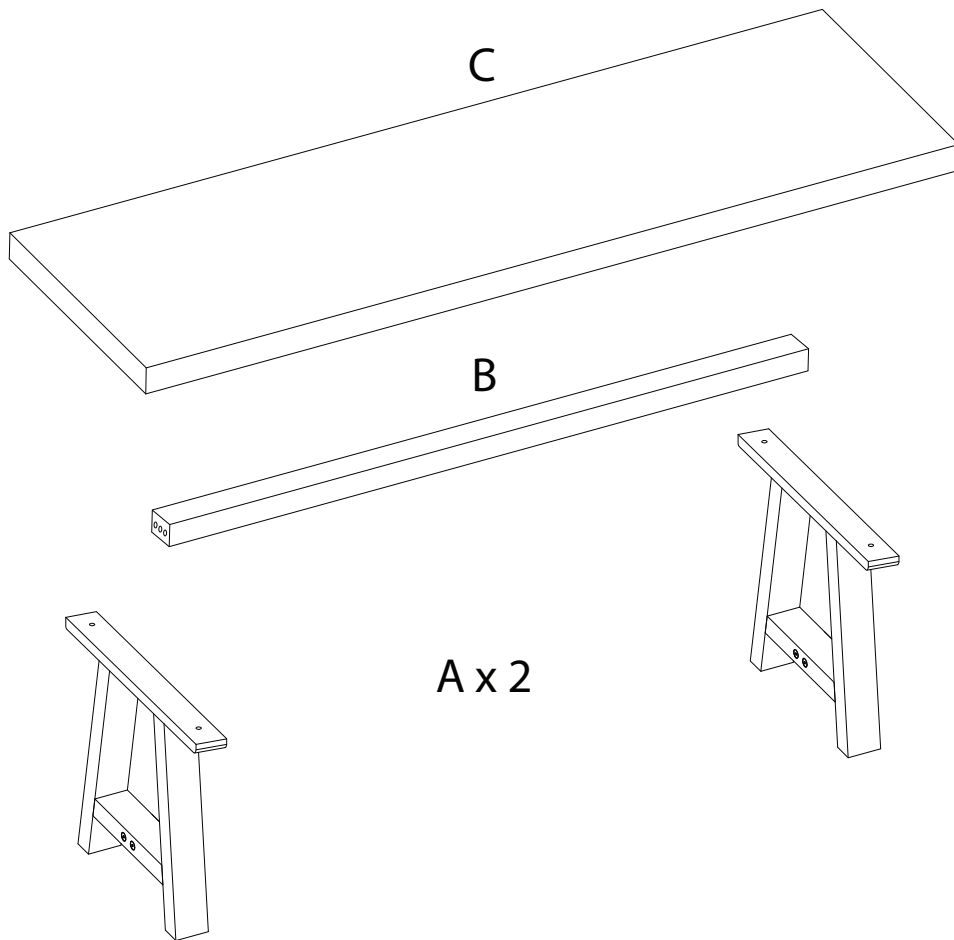
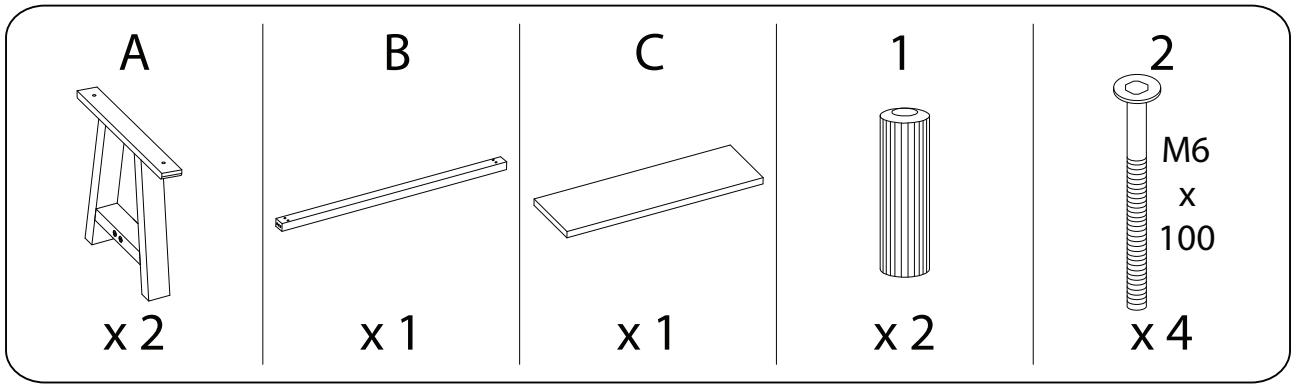
Assembly instructions for the table, including tool requirements, safety warnings, and time/effort indicators.

**Tools:** A circular icon contains a screwdriver and an L-shaped hex key. A power drill is shown with a diagonal line through it, indicating it is not required.

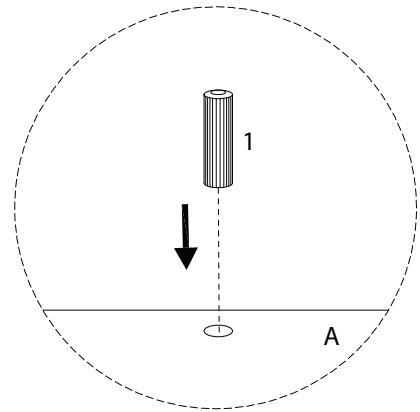
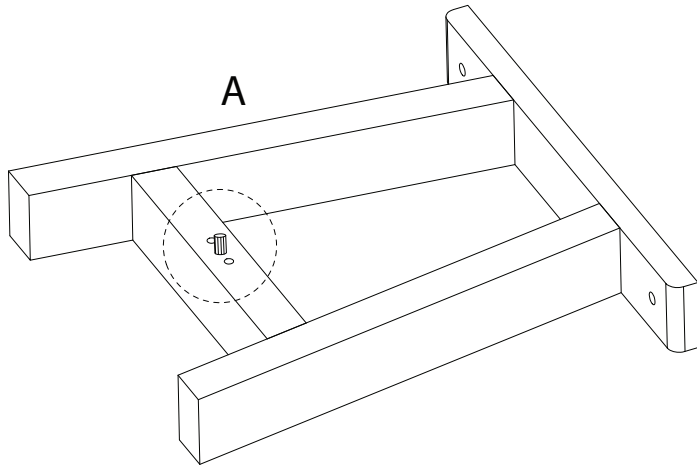
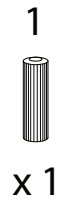
**Warnings:** Two triangular warning symbols with exclamation marks are present. The first is connected to the tool icon, and the second is connected to the material icon.

**Time:** A clock icon with a circular arrow indicates an estimated assembly time of 15 minutes.

**Personnel:** An icon of a person indicates that 1 person is required for assembly.

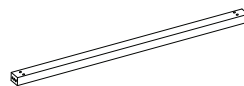


1 x 2

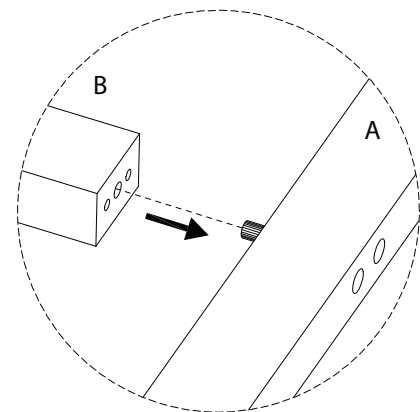
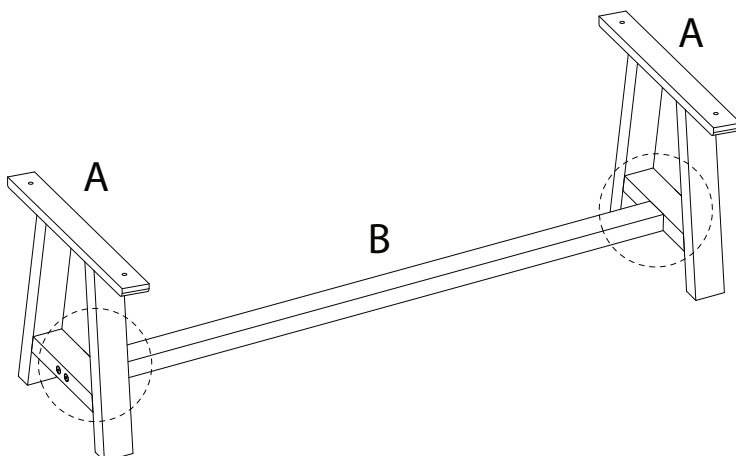


2

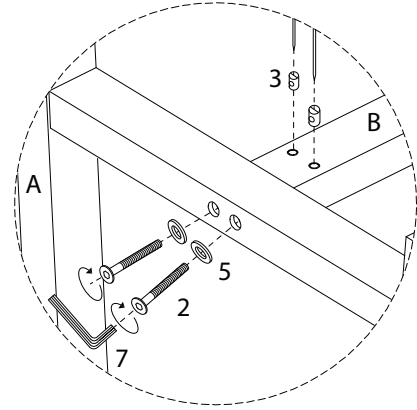
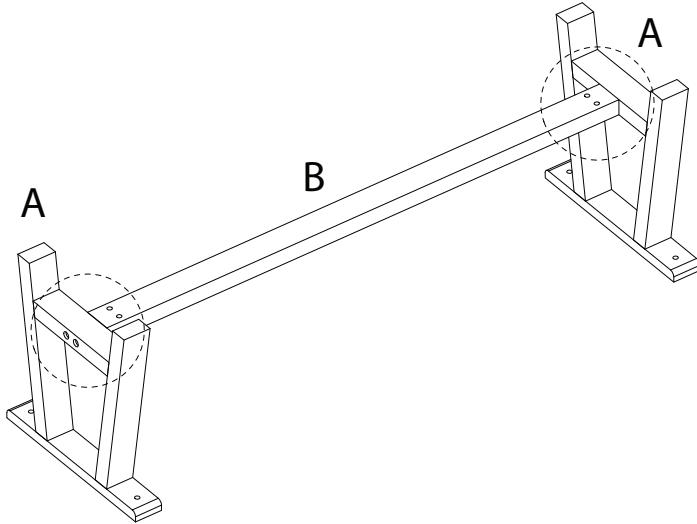
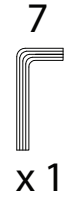
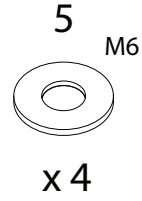
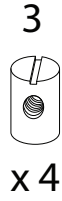
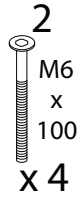
B



x 1



3



4

