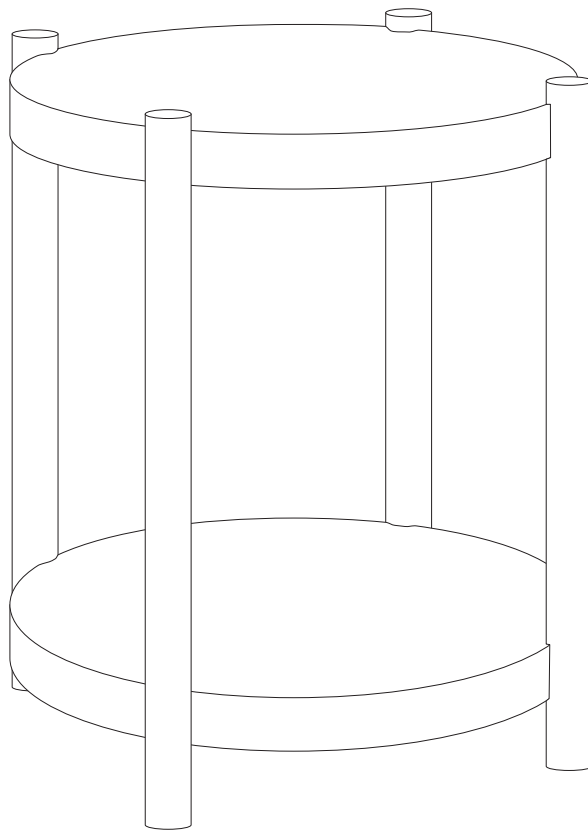


CONNELL



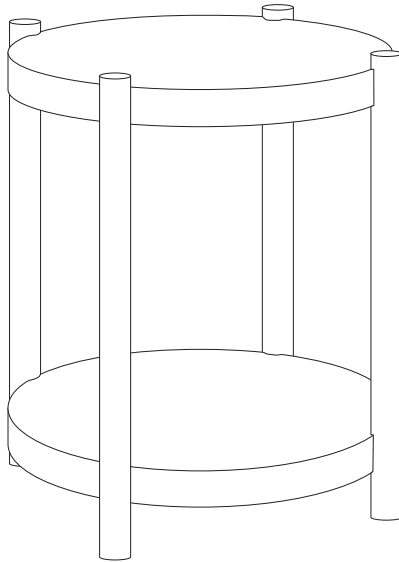
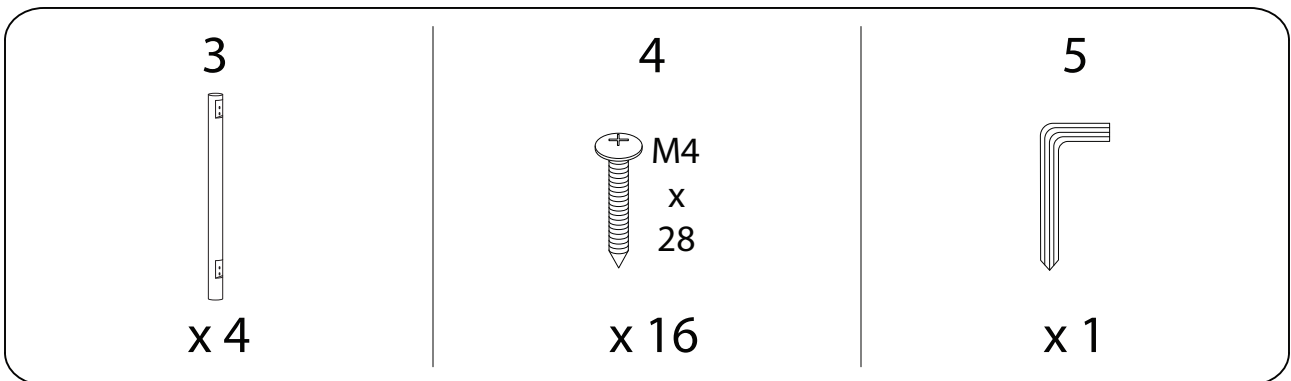
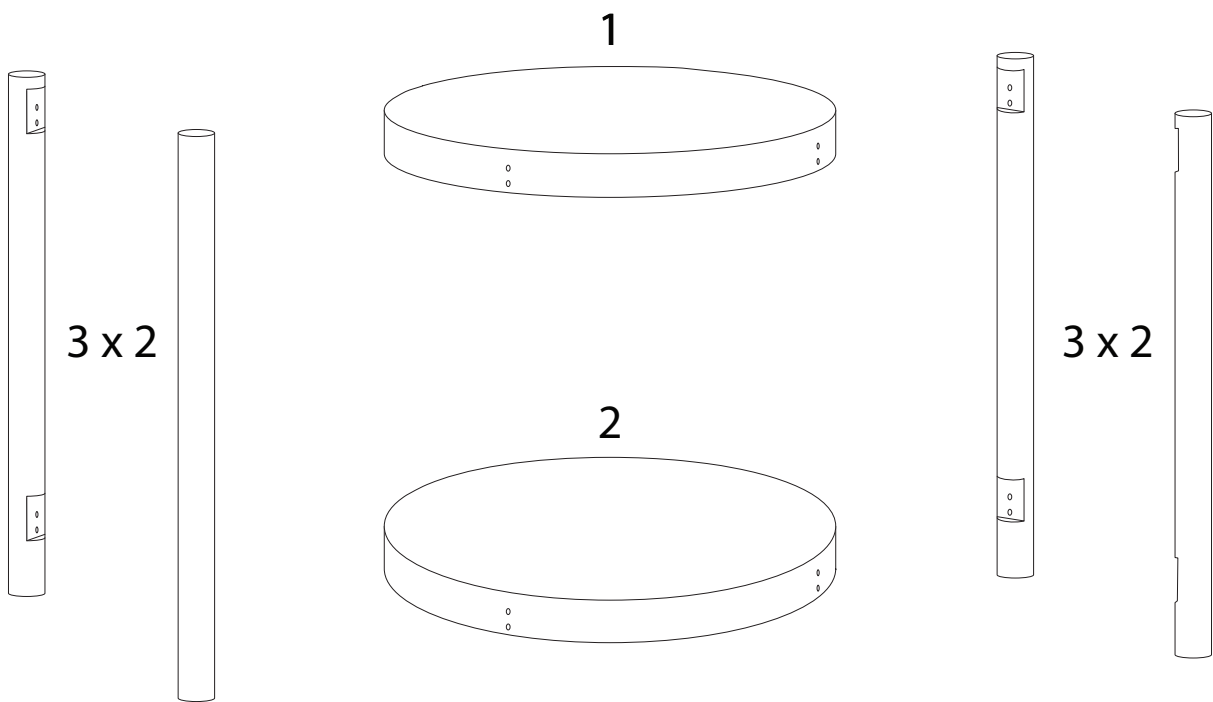
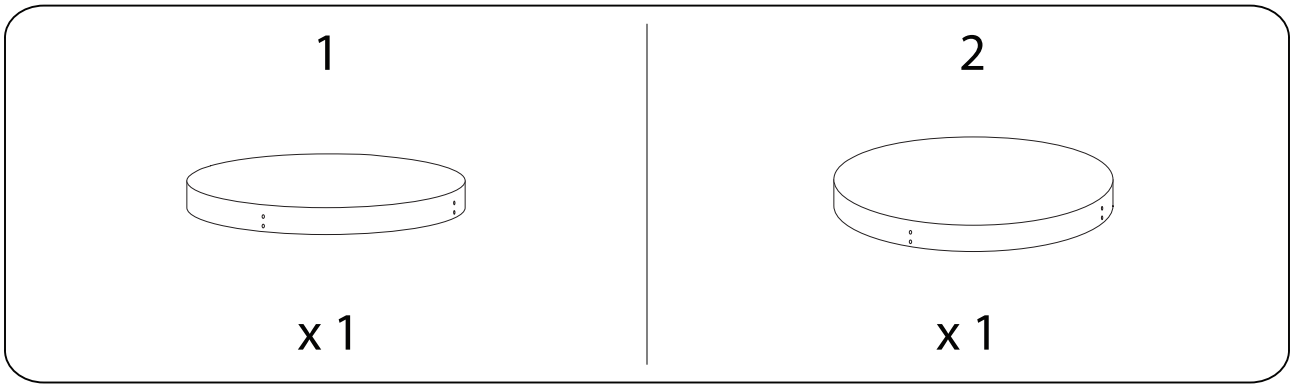


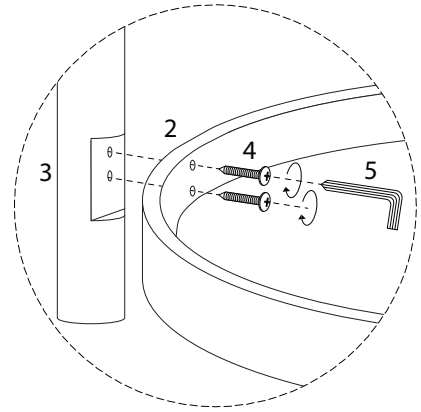
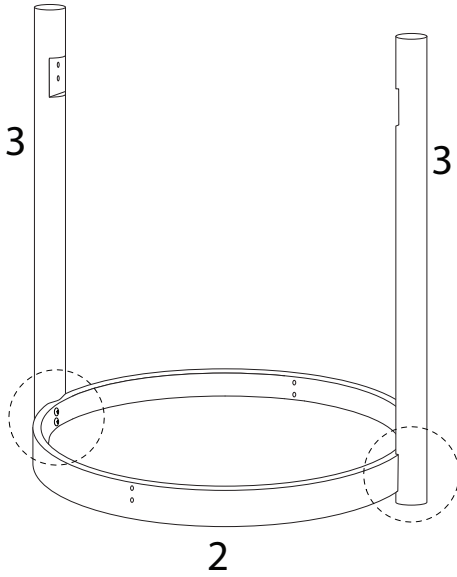
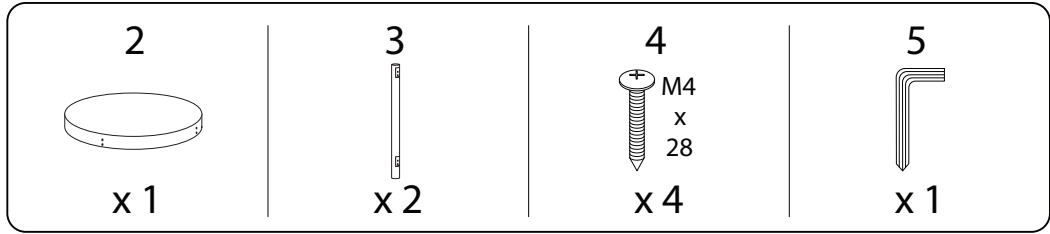
Diagram illustrating assembly steps and safety warnings:

- Top Step:** Shows an L-shaped metal bracket being installed. A power drill is shown with a diagonal line through it, indicating it should not be used. A warning triangle with an exclamation mark is present. To the right, a clock icon indicates a 15-minute duration.
- Bottom Step:** Shows a rectangular metal plate being installed on a surface. A power drill is shown with a diagonal line through it, indicating it should not be used. A warning triangle with an exclamation mark is present. To the right, a person icon indicates that 1 person is required for this step.

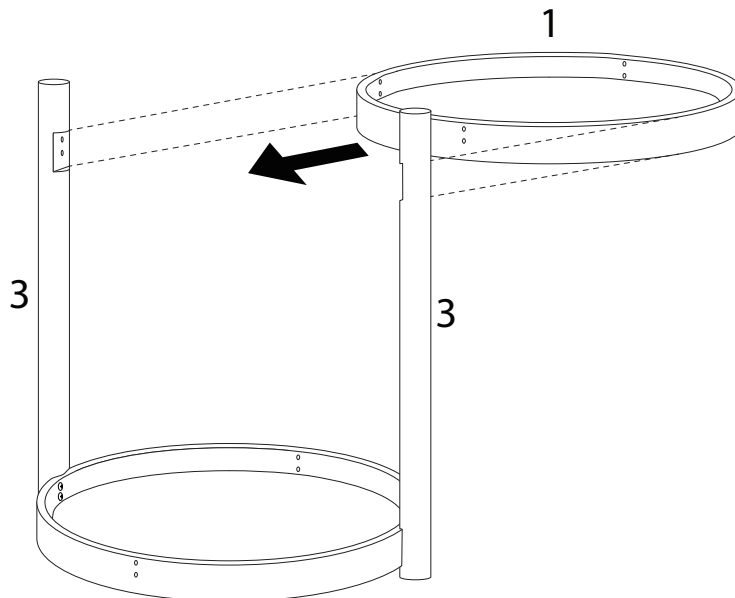
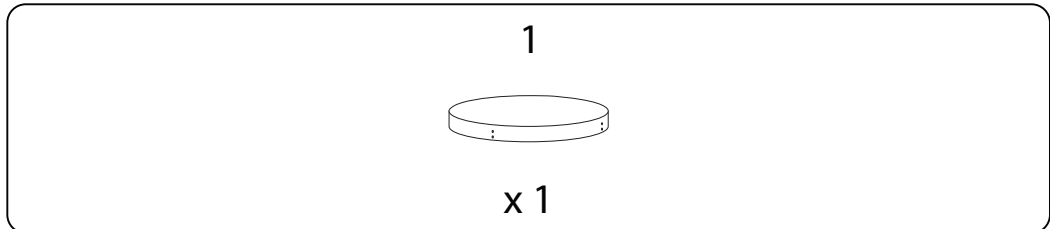
1/4



1

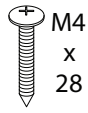


2



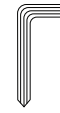
3

4

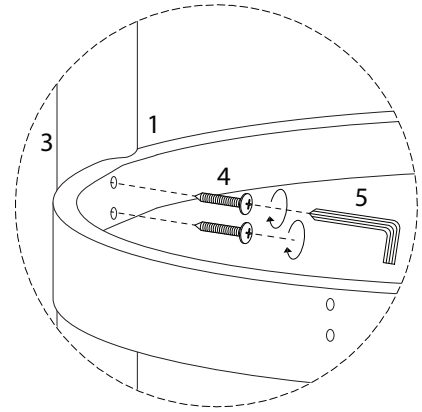
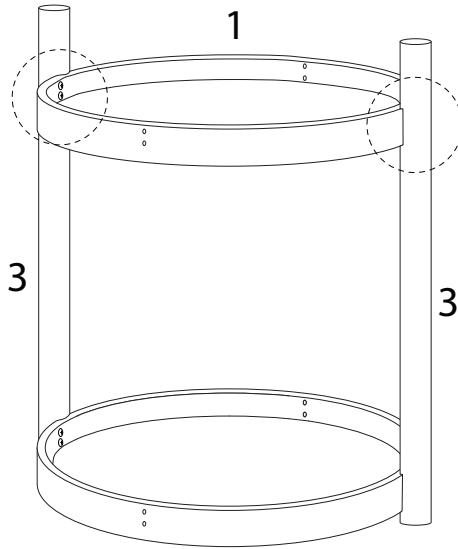


x 4

5



x 1



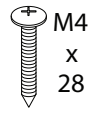
4

3



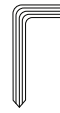
x 2

4



x 8

5



x 1

