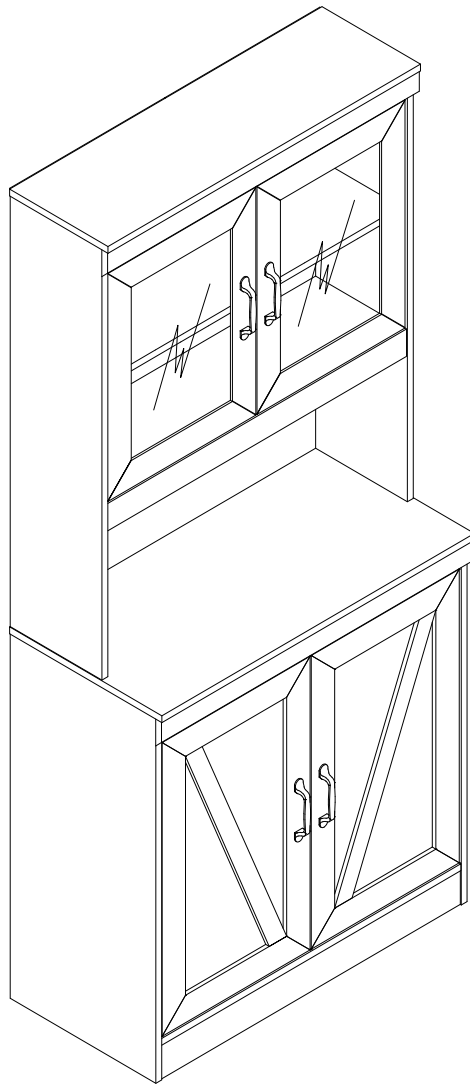
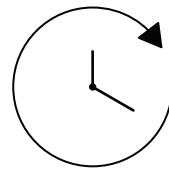
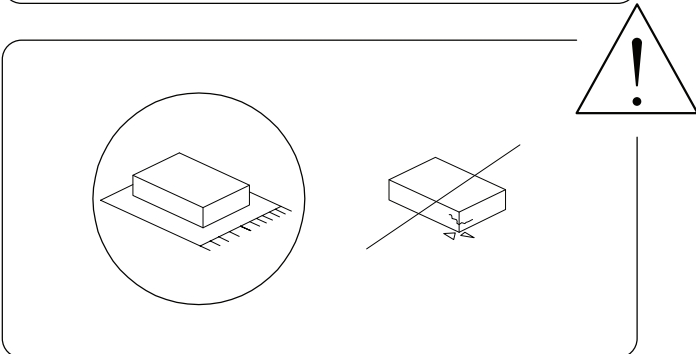
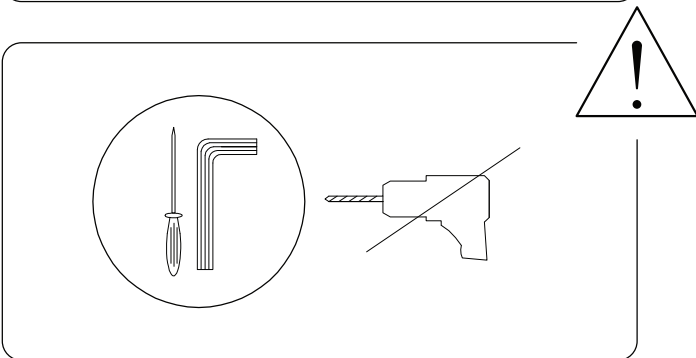
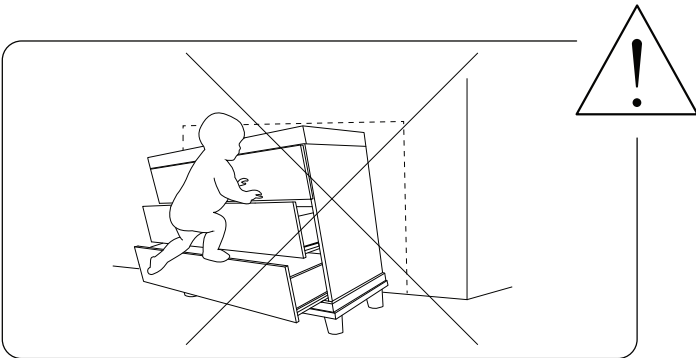
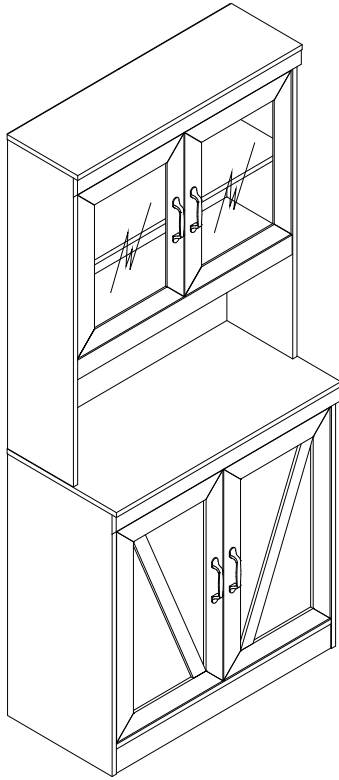
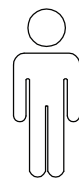


# KALBARRI

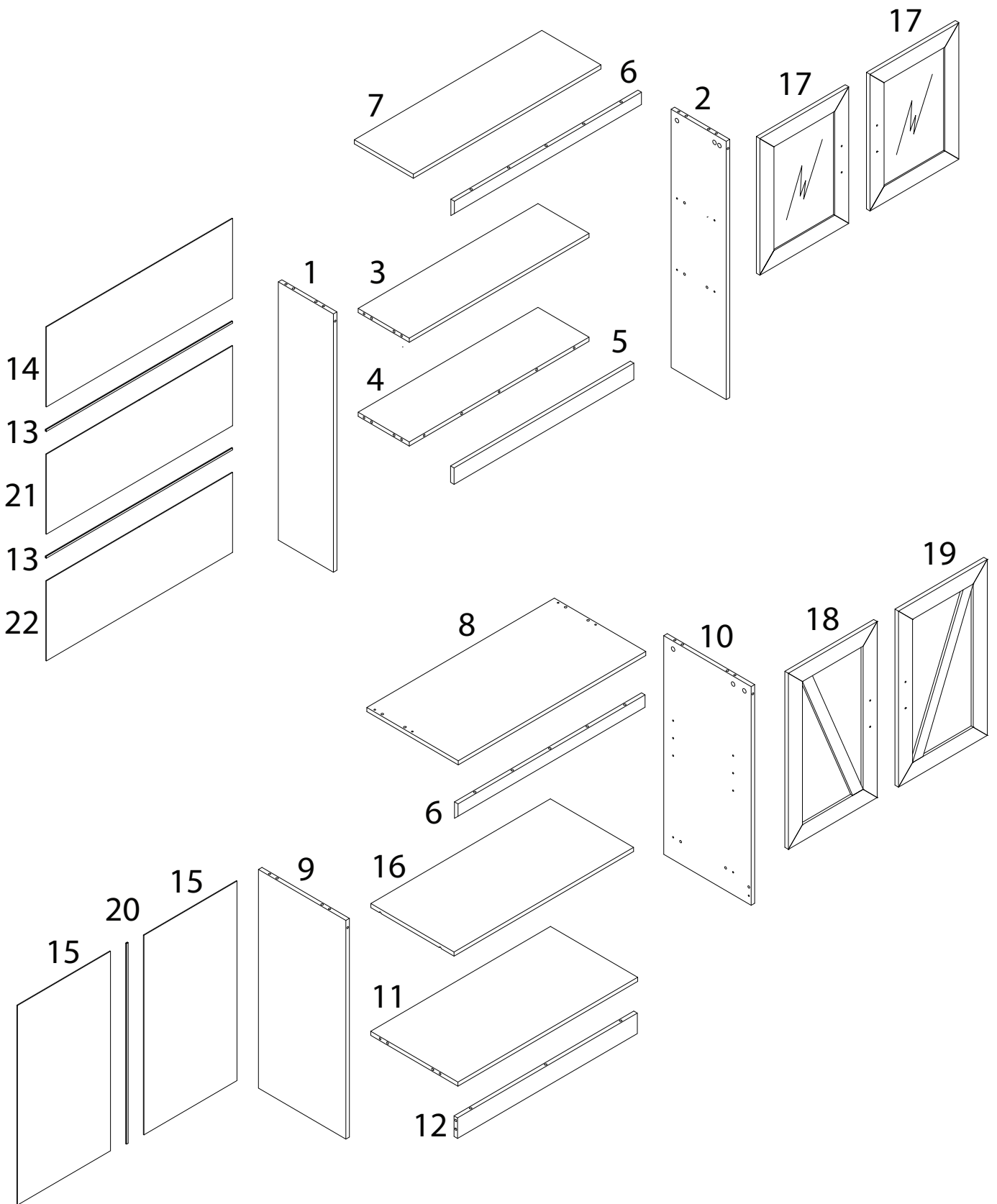




60'



2



1



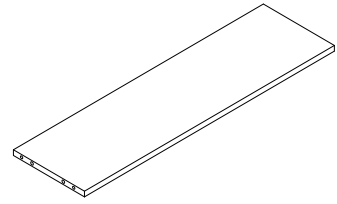
x 1

2



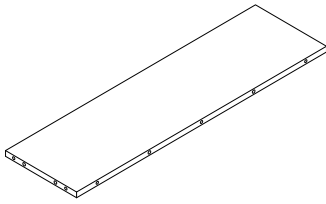
x 1

3



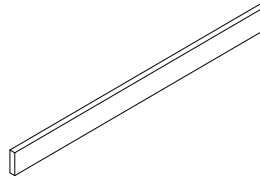
x 1

4



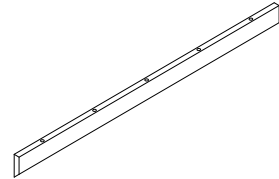
x 1

5



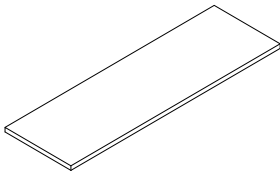
x 1

6



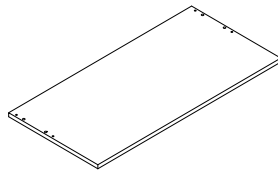
x 2

7



x 1

8



x 1

9



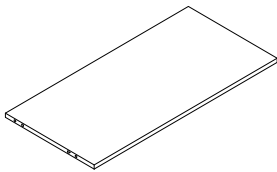
x 1

10



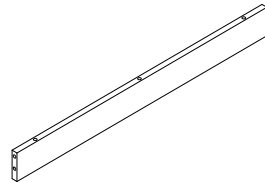
x 1

11



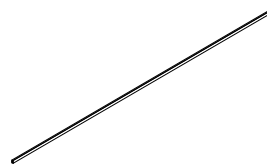
x 1

12



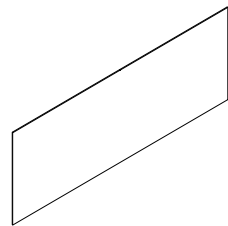
x 1

13



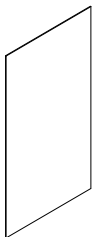
x 2

14



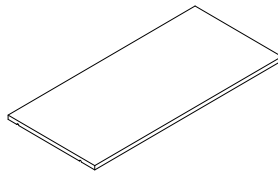
x 1

15



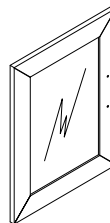
x 2

16



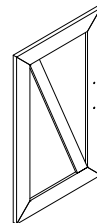
x 1

17

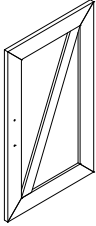

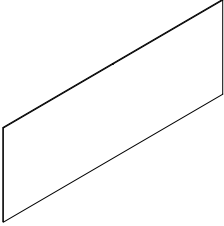
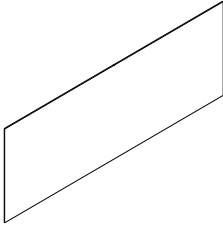
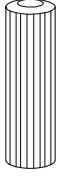
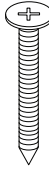
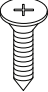

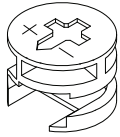
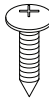
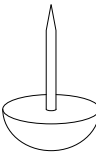
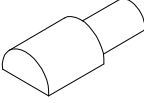
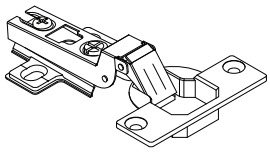
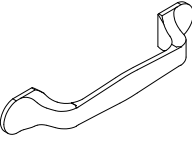
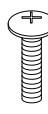

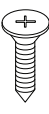
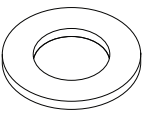
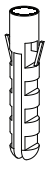
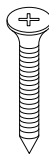


x 2

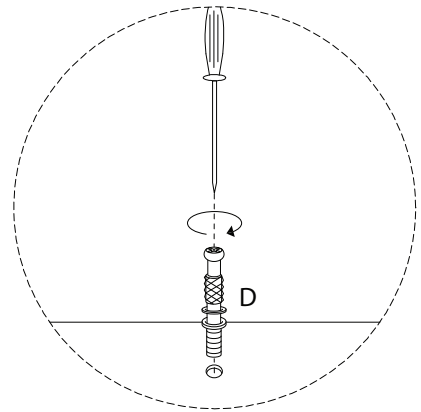
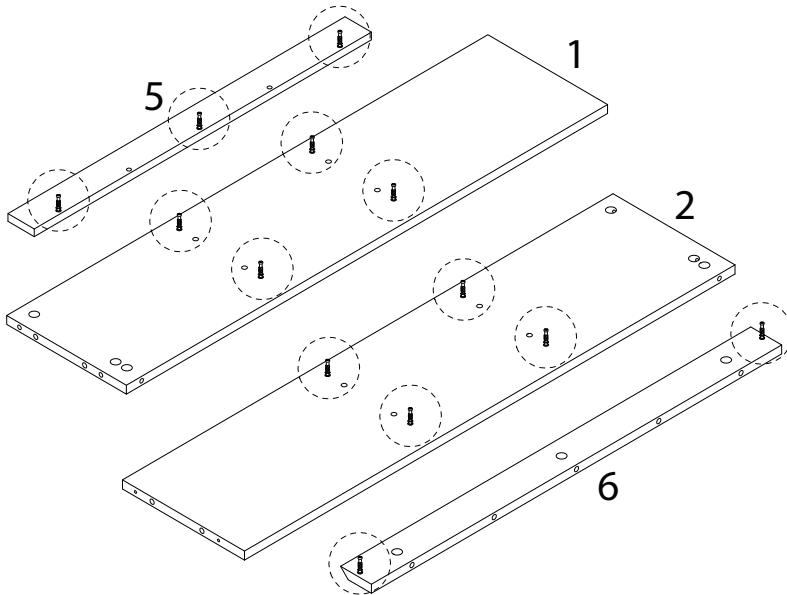
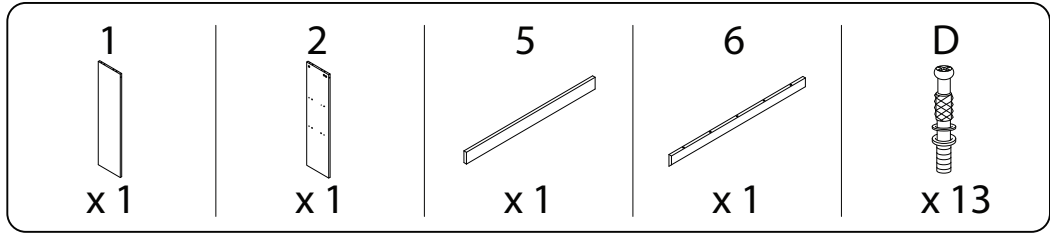
18



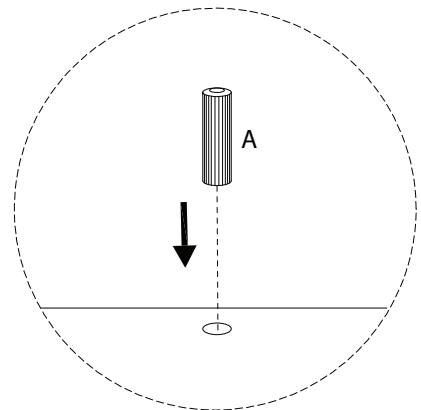
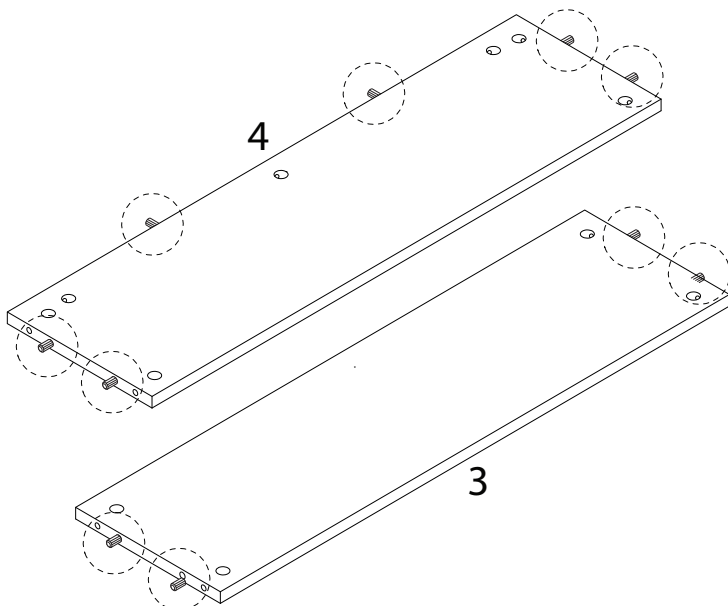
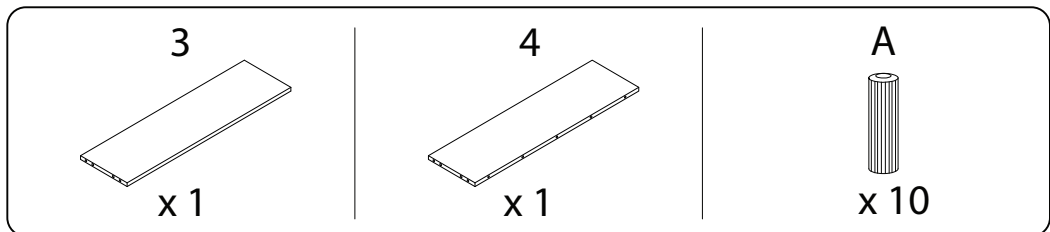
x 1

<p>19</p>  <p>x 1</p>	<p>20</p>  <p>x 1</p>	<p>21</p>  <p>x 1</p>	<p>22</p>  <p>x 1</p>
<p>A</p>  <p>x 32</p>	<p>B</p>  <p>M5 x 40</p> <p>x 4</p>	<p>C</p>  <p>M3.5 x 14</p> <p>x 32</p>	<p>D</p>  <p>x 38</p>
<p>E</p>  <p>x 38</p>	<p>F</p>  <p>M3 x 16</p> <p>x 32</p>	<p>G</p>  <p>x 4</p>	<p>H</p>  <p>x 4</p>
<p>I</p>  <p>x 8</p>	<p>J1</p>  <p>x 4</p>	<p>J2</p>  <p>M4 x 19</p> <p>x 8</p>	<p>K1</p>  <p>x 2</p>
<p>K2</p>  <p>M3.5 x 14</p> <p>x 2</p>	<p>K3</p>  <p>x 4</p>	<p>K4</p>  <p>x 2</p>	<p>K5</p>  <p>M4 x 30</p> <p>x 2</p>

1



2

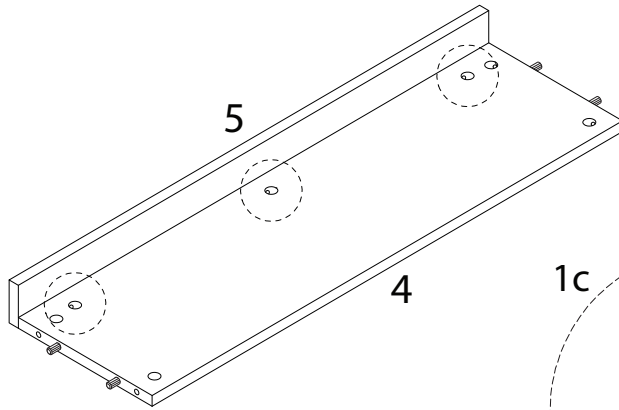


3

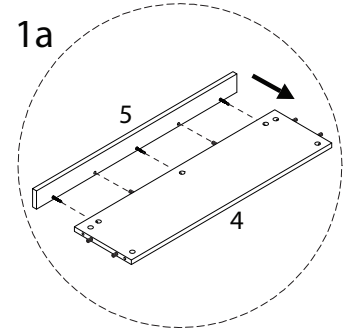
E



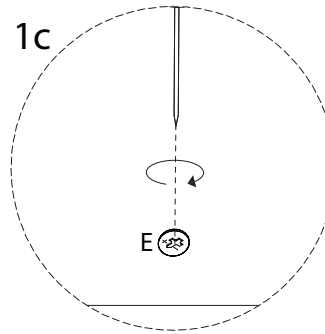
x 3



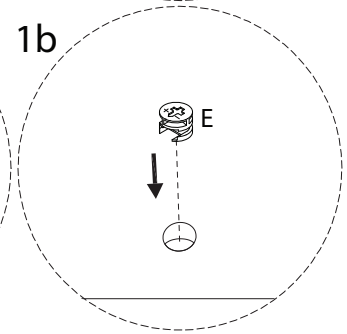
1a



1c



1b

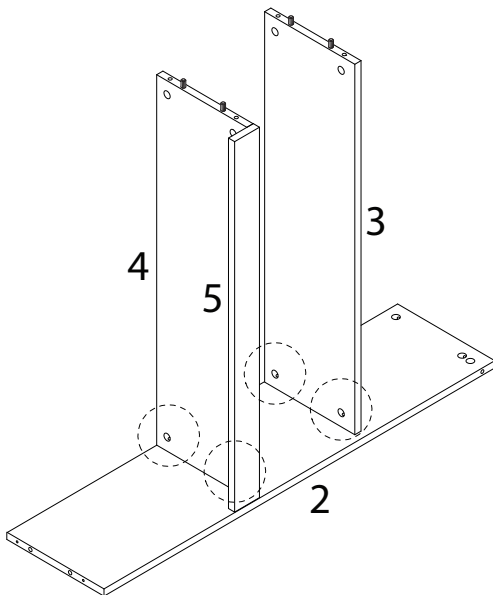


4

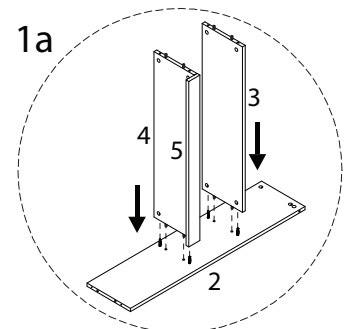
E



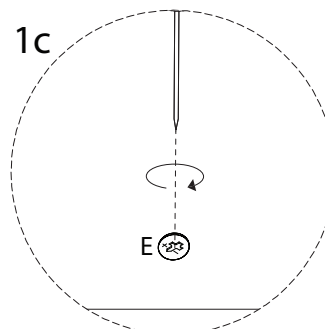
x 4



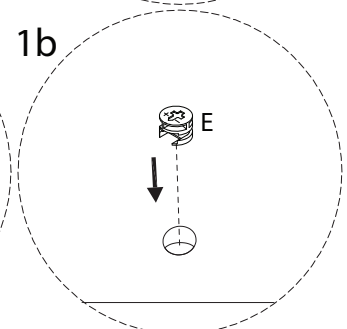
1a



1c



1b

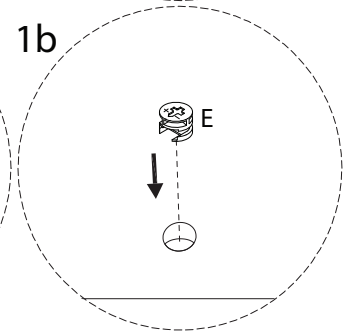
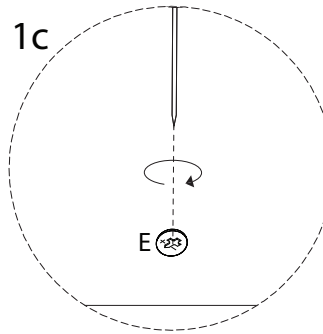
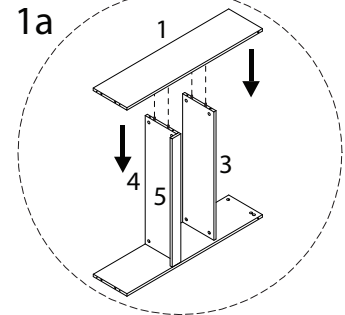
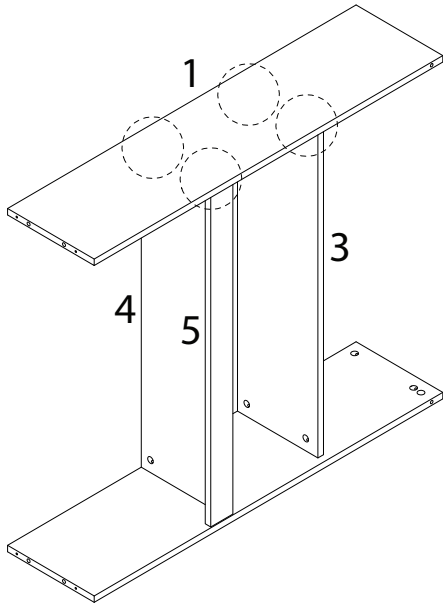


5

E



x 4

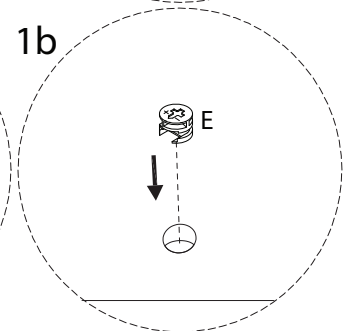
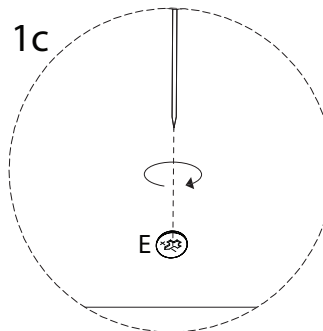
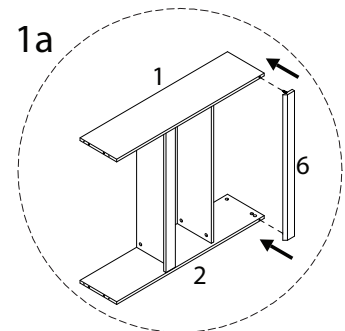
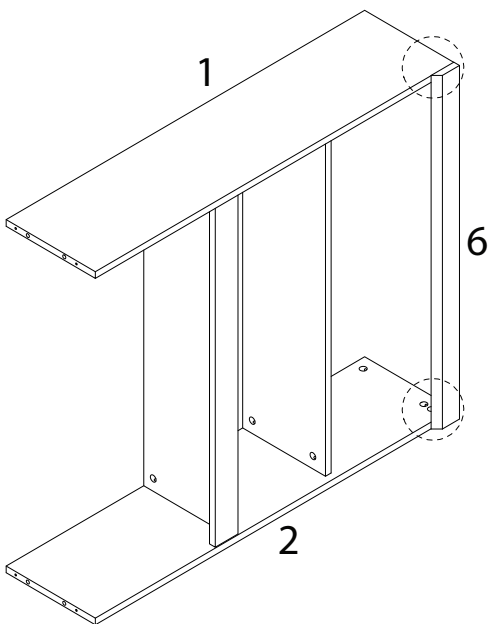


6

E

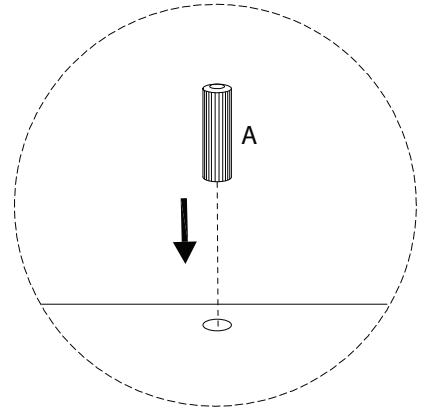
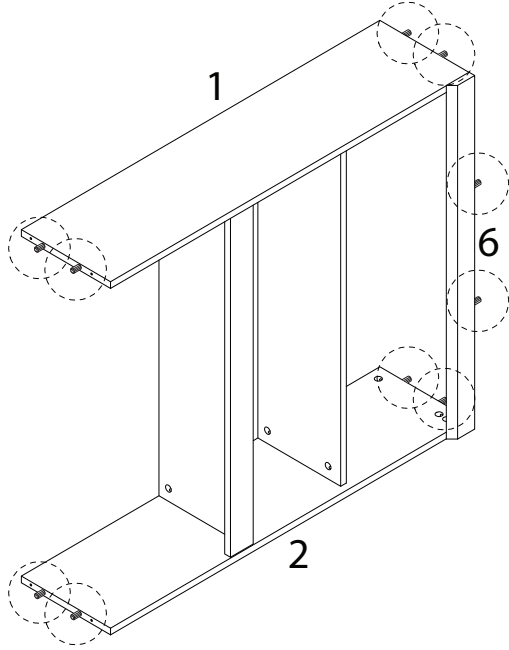
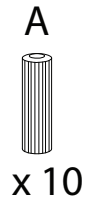


x 2

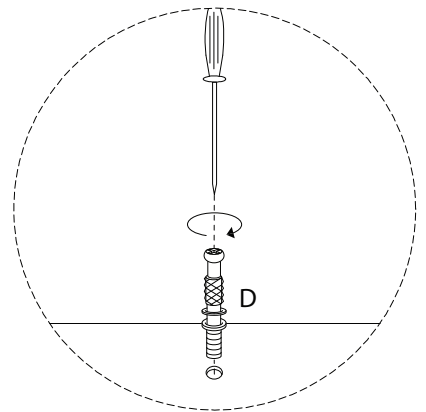
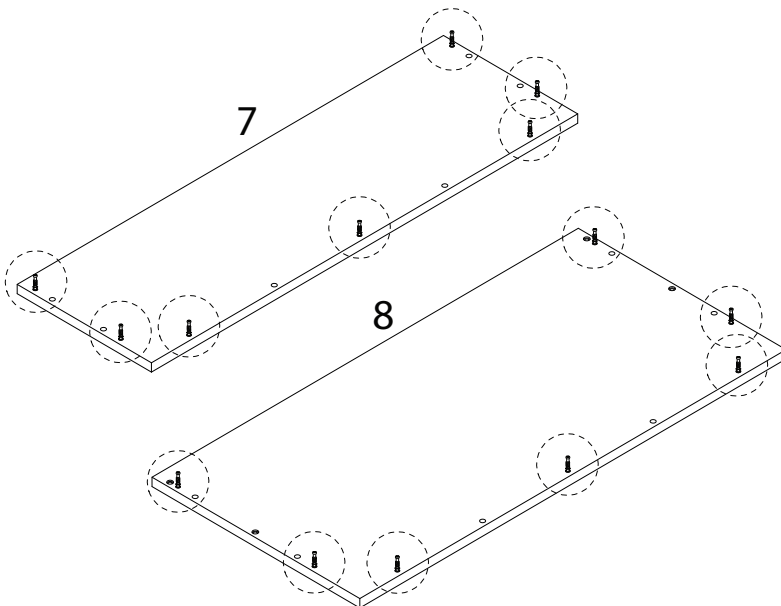
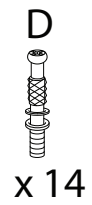
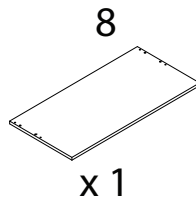
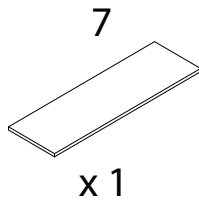




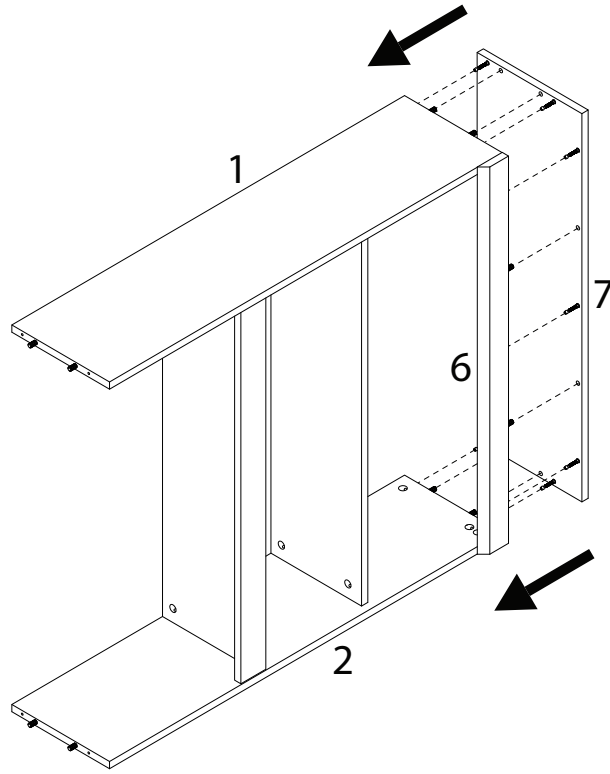
7



8



9

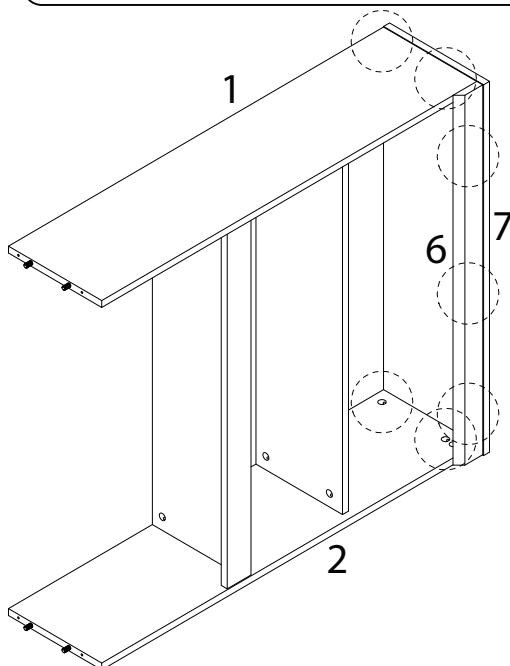


10

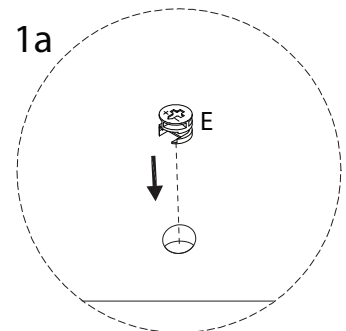
E



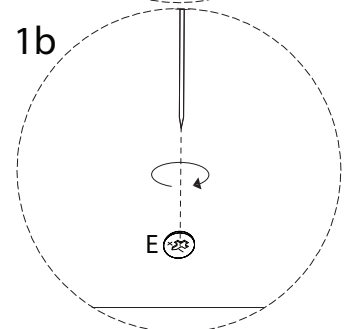
x 7



1a

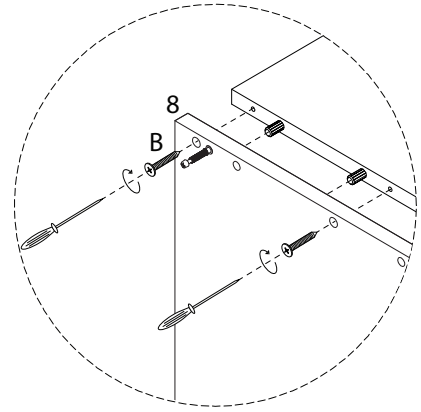
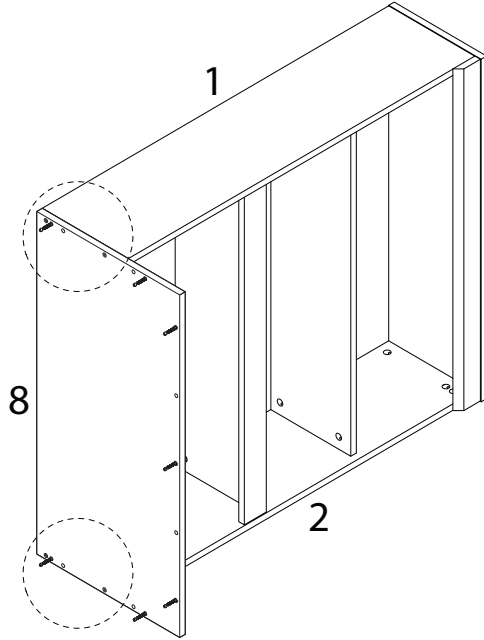


1b

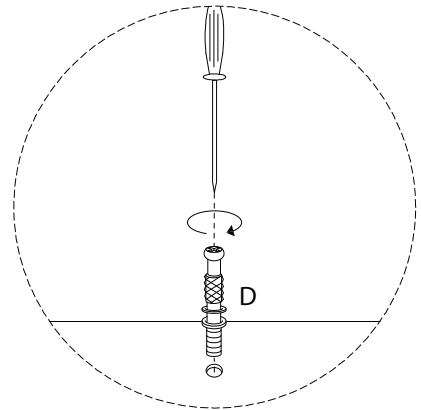
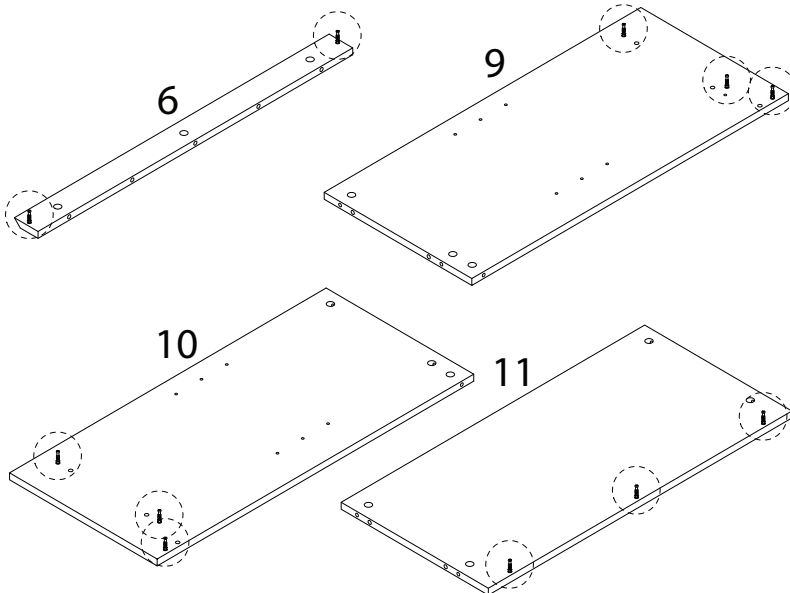
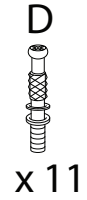
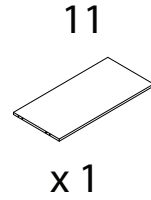
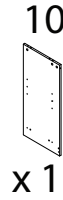
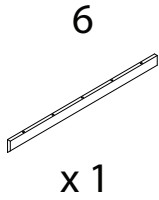


11

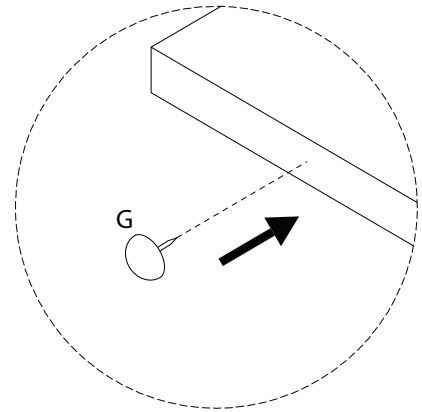
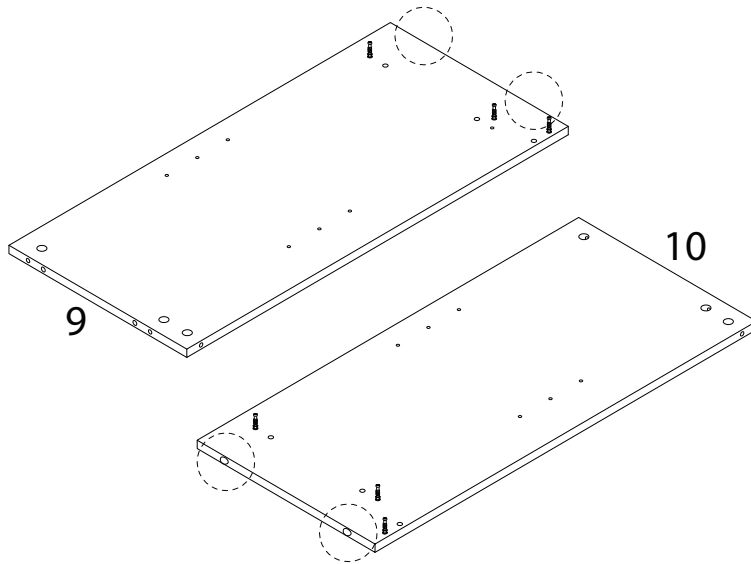
B  
M5  
x  
40  
x 4



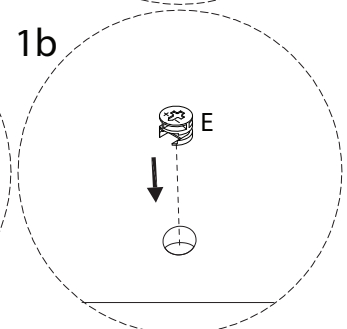
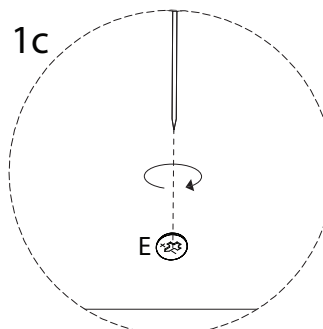
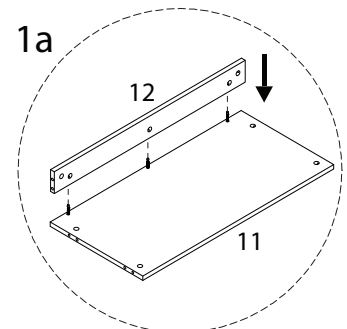
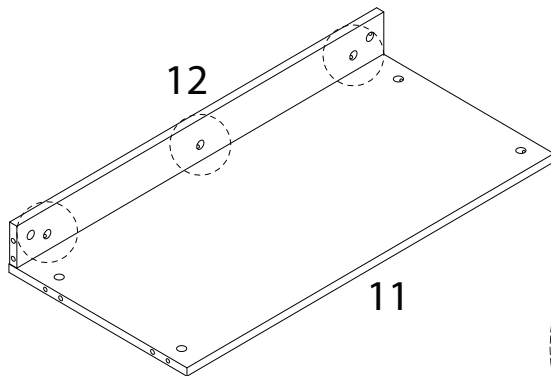
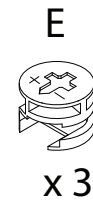
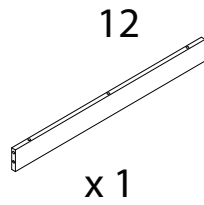
12



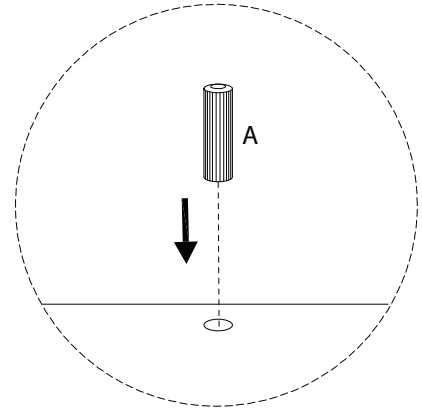
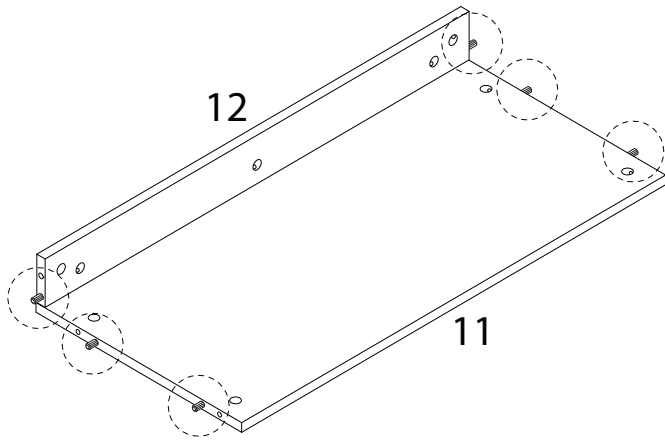
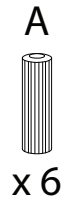
13



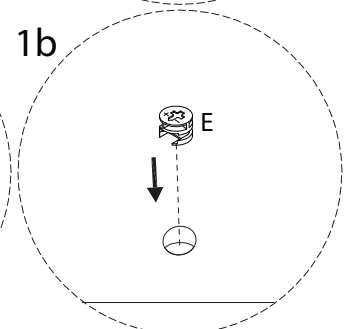
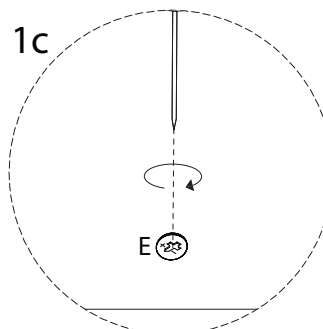
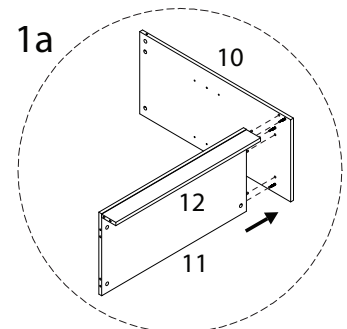
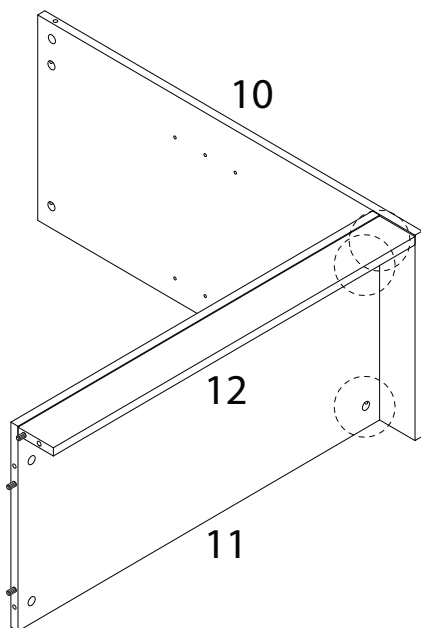
14



15



16

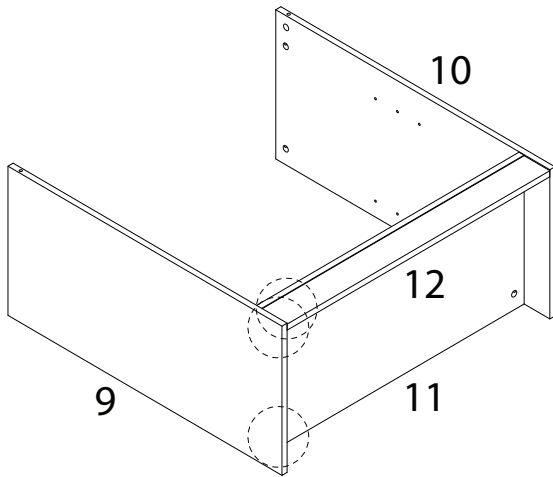


17

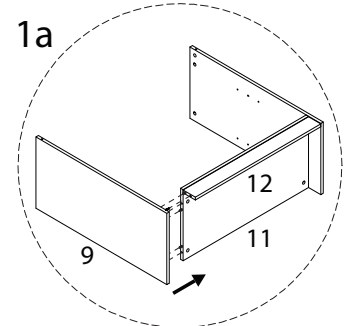
E



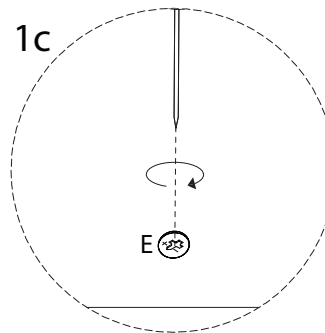
x 3



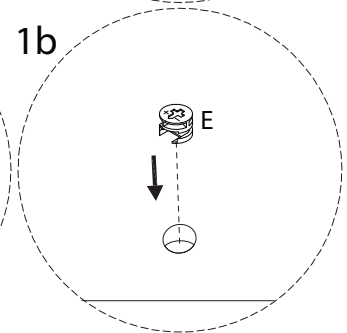
1a



1c



1b

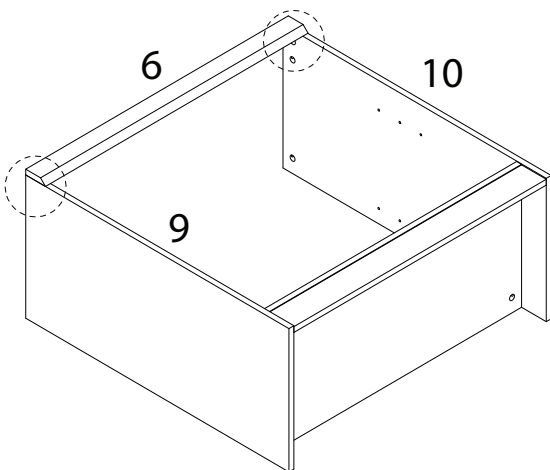


18

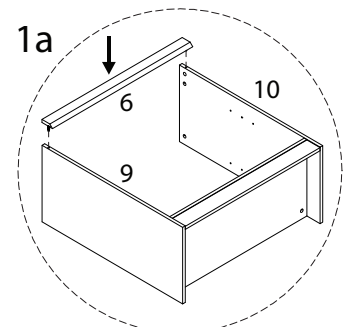
E



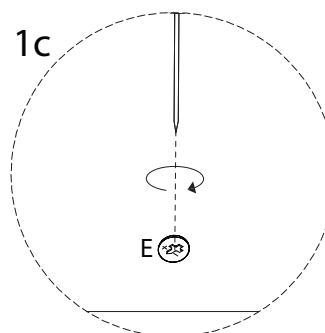
x 2



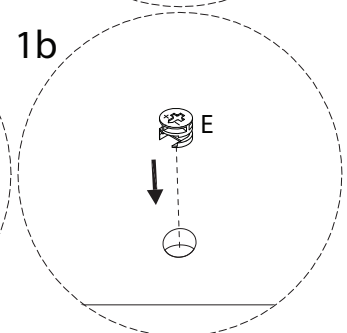
1a




1c

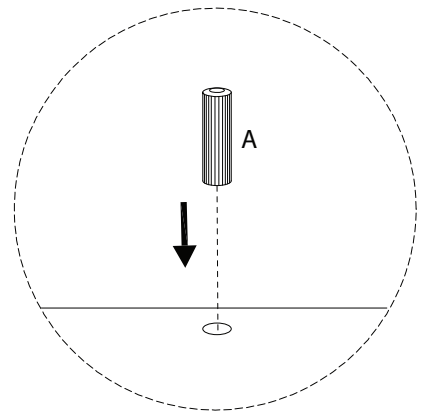
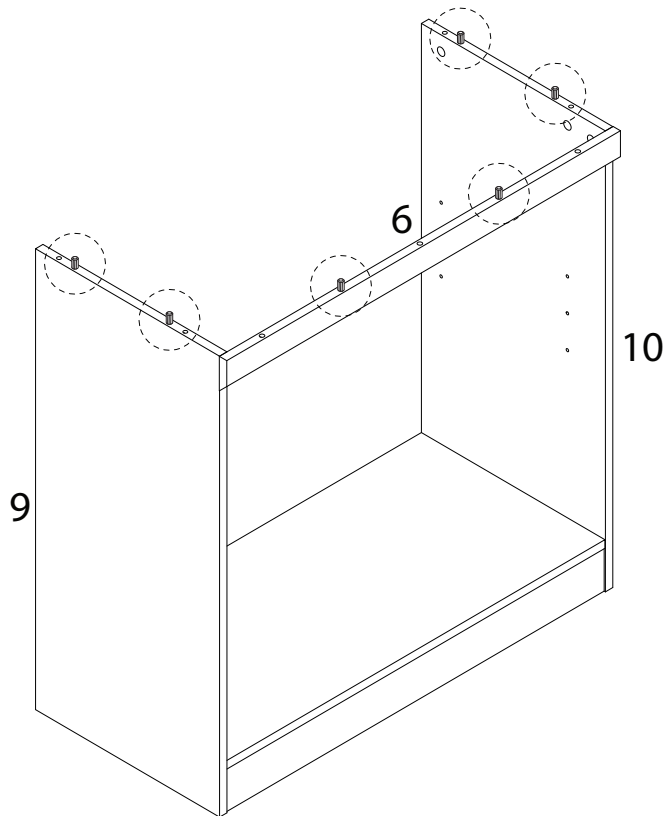


1b



19

A  
  
x 6

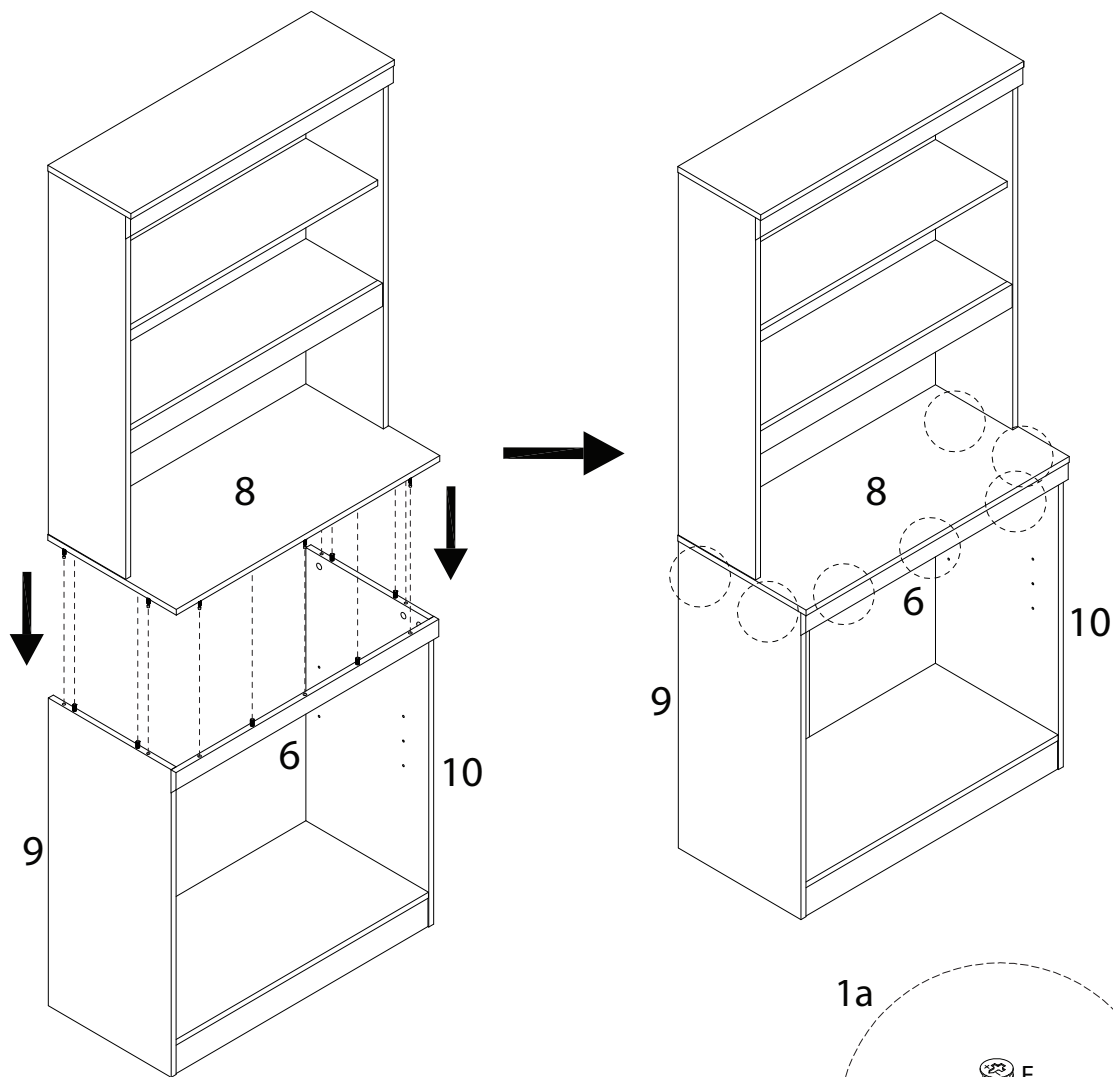


20

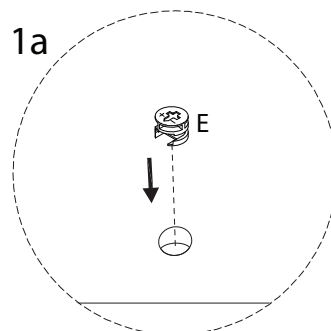
E



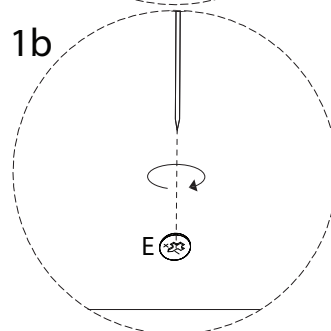
x 7



1a


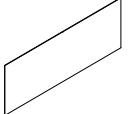
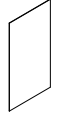

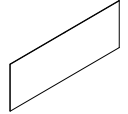
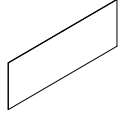



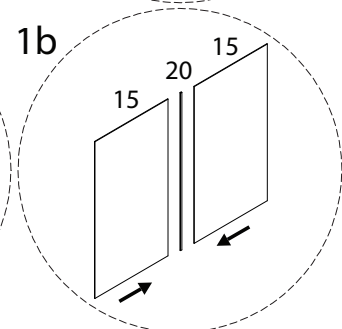
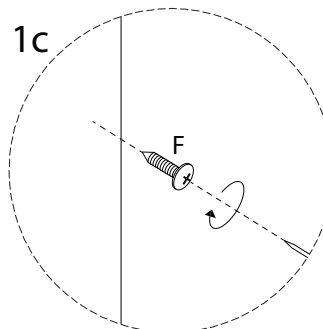
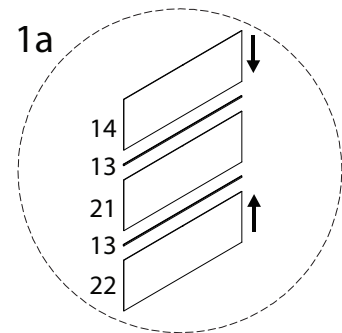
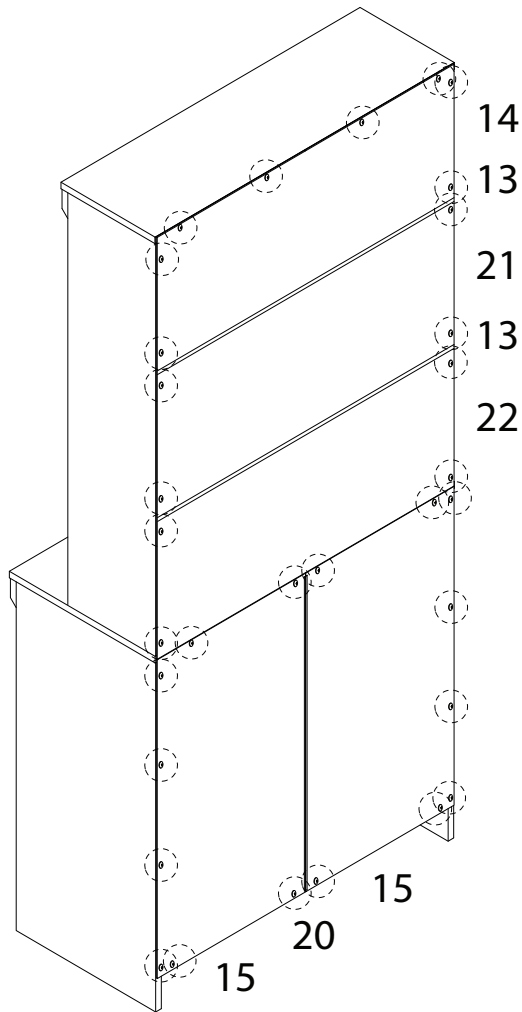
1b



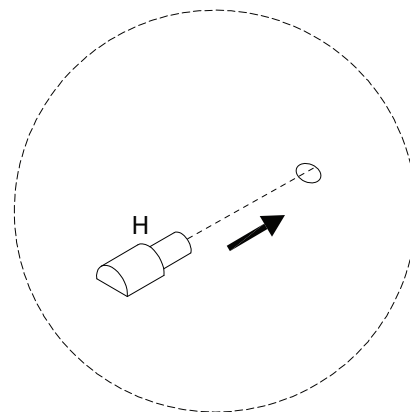
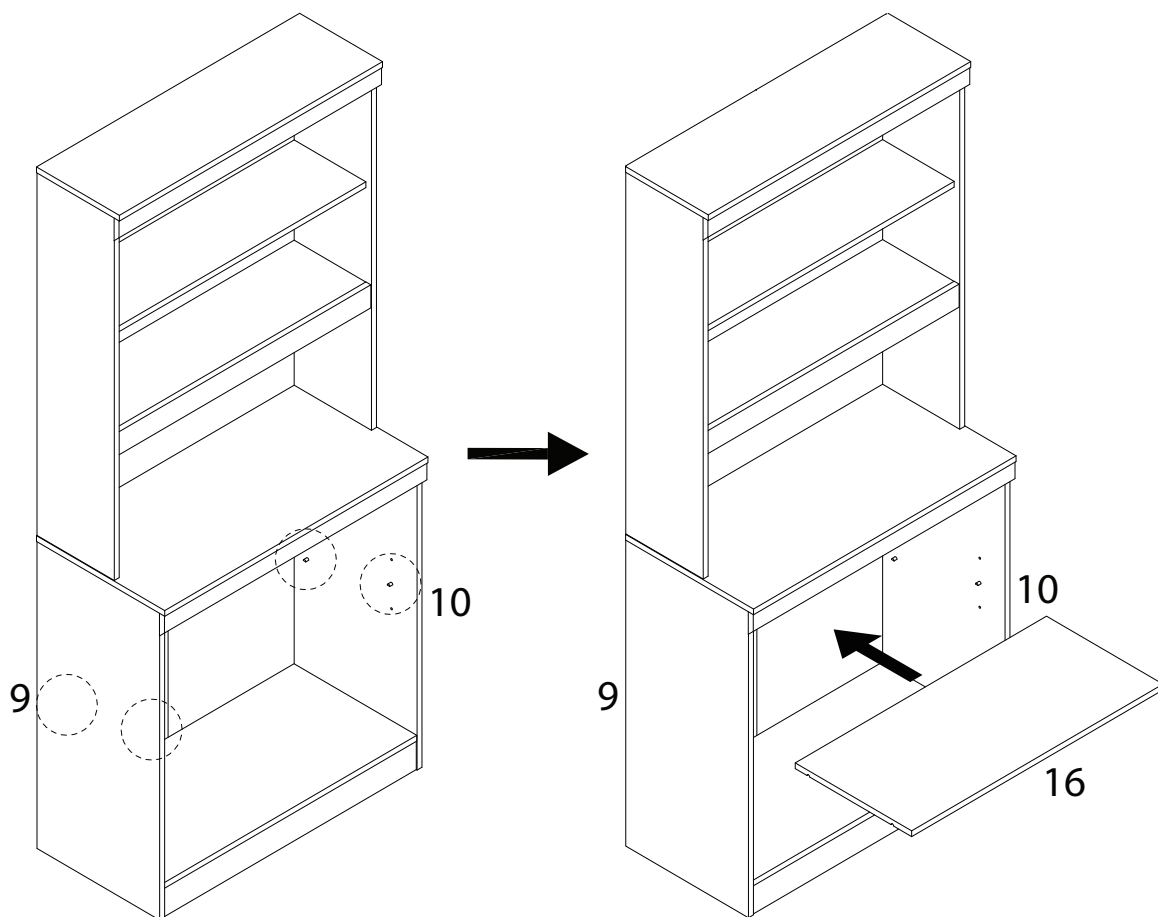
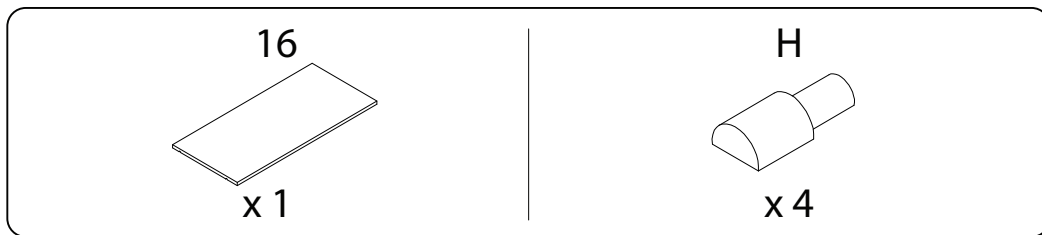


21

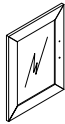
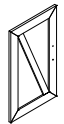
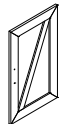

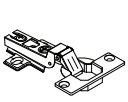
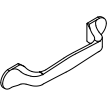

13  x 2	14  x 1	15  x 2	20  x 1	21  x 1	22  x 1	F  M3 x 16 x 32
--	--	--	--	---	--	---

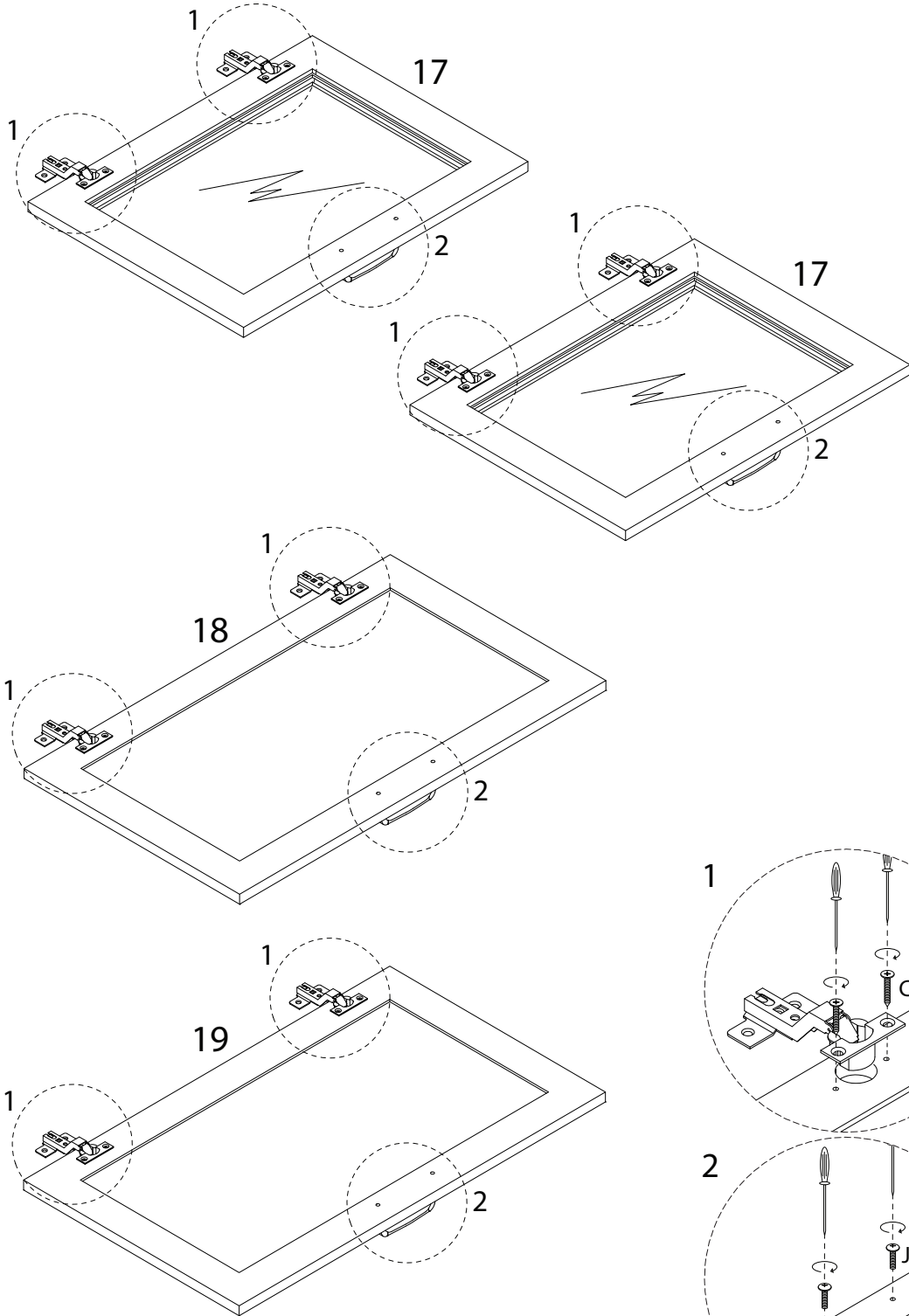


22



23

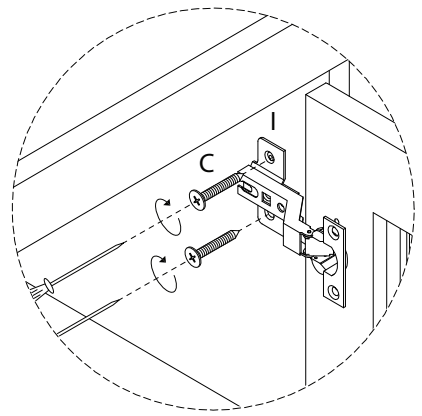
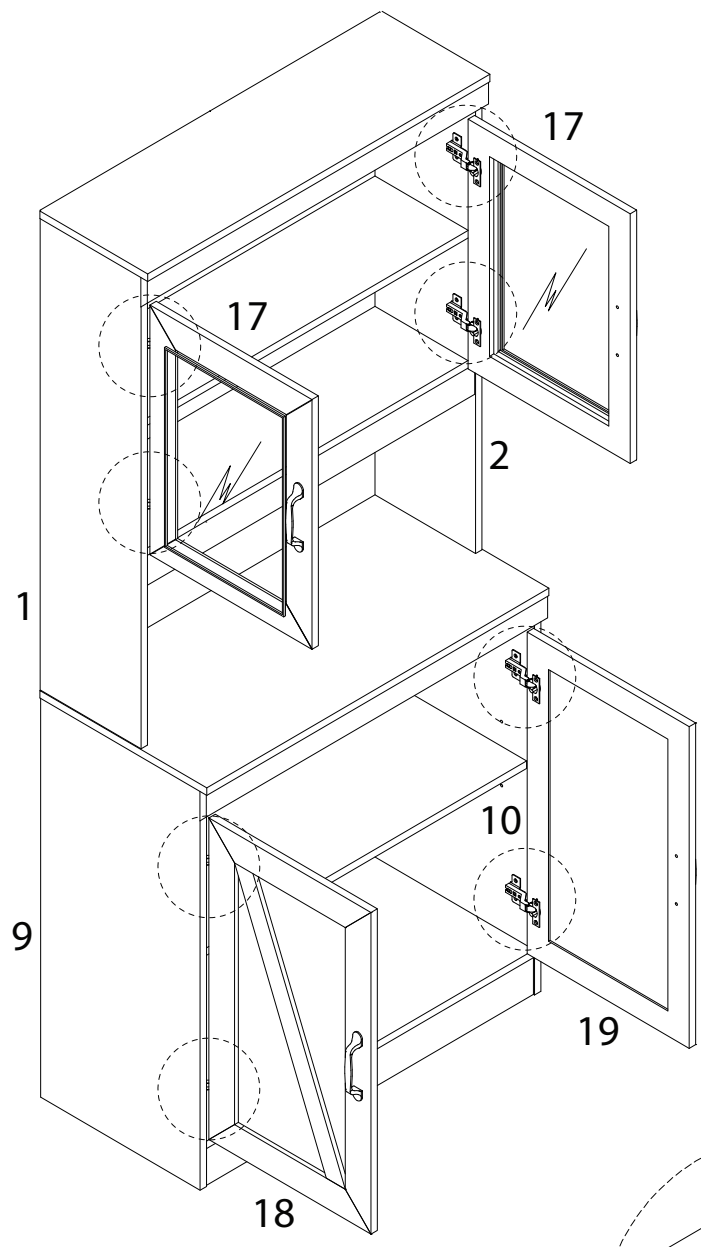
17  x 2	18  x 1	19  x 1	C  M3.5 x 14 x 16	I  x 8	J <sub>1</sub>  x 4	J <sub>2</sub>  M4 x 19 x 8
--	--	--	--	--	--	--




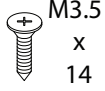
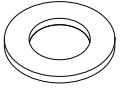
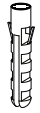

24

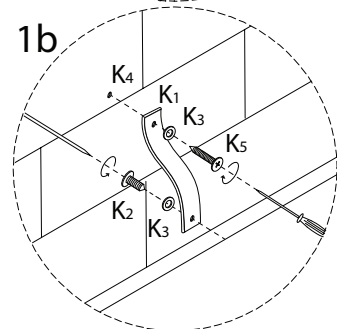
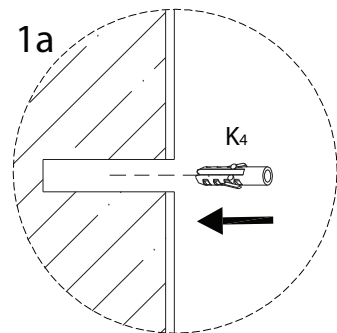
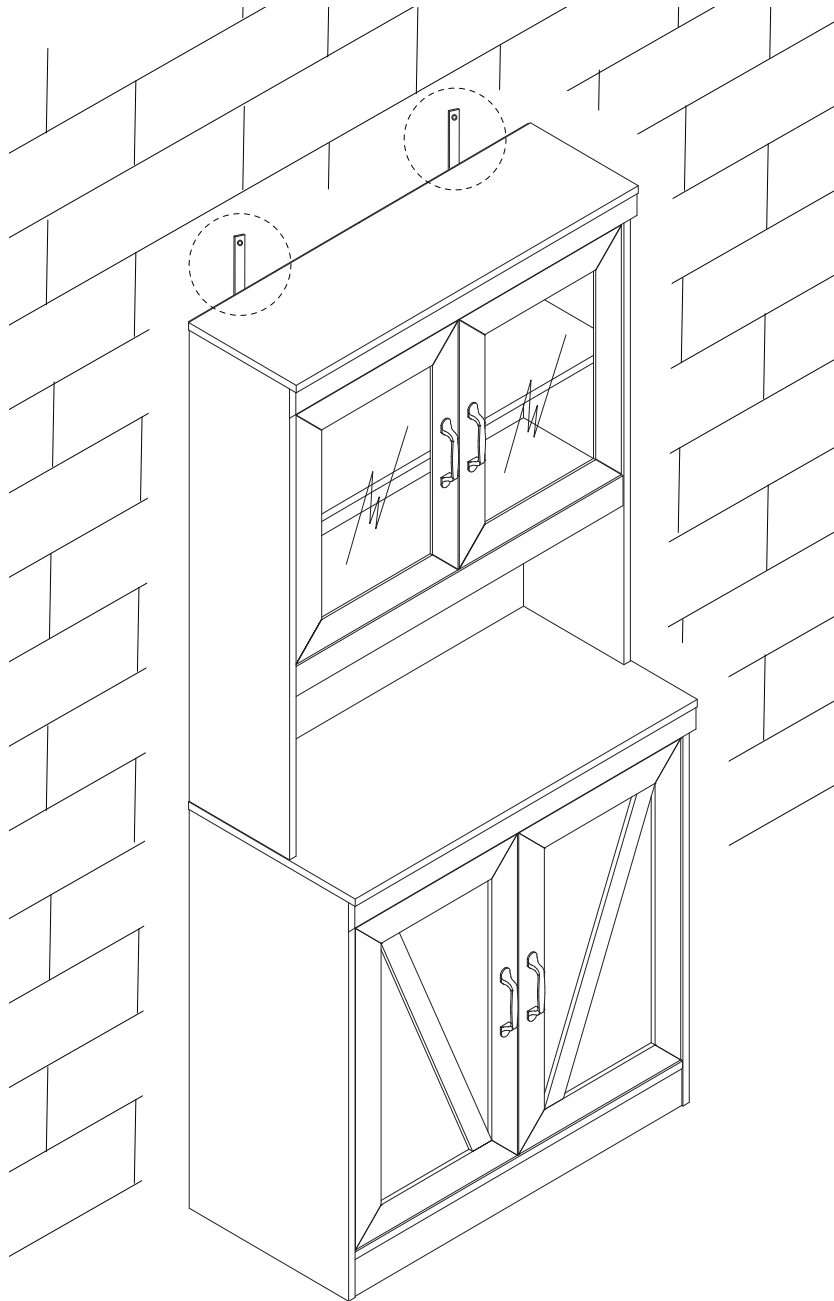
C

M3.5  
x  
14  
x 16



25

<b>K1</b>  x 2	<b>K2</b>  x 2	<b>K3</b>  x 4	<b>K4</b>  x 2	<b>K5</b>  x 2
---	---	---	---	---



!

