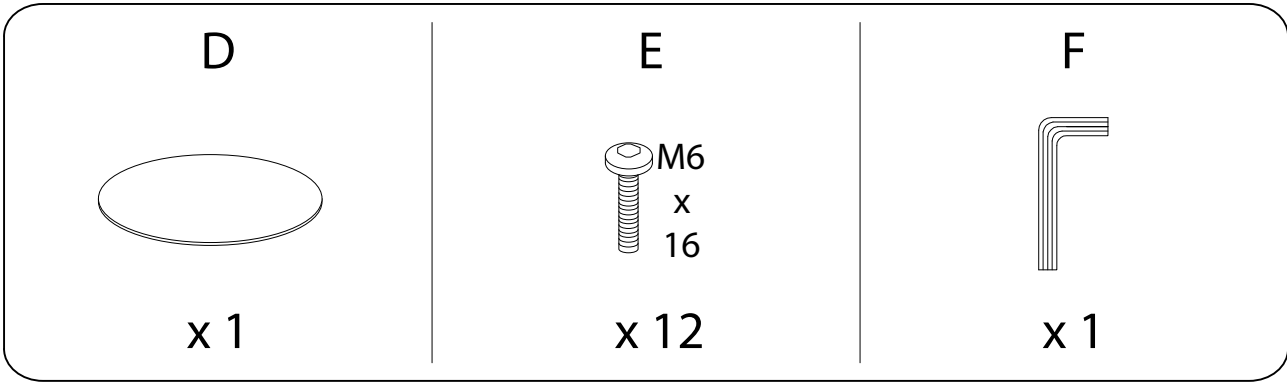
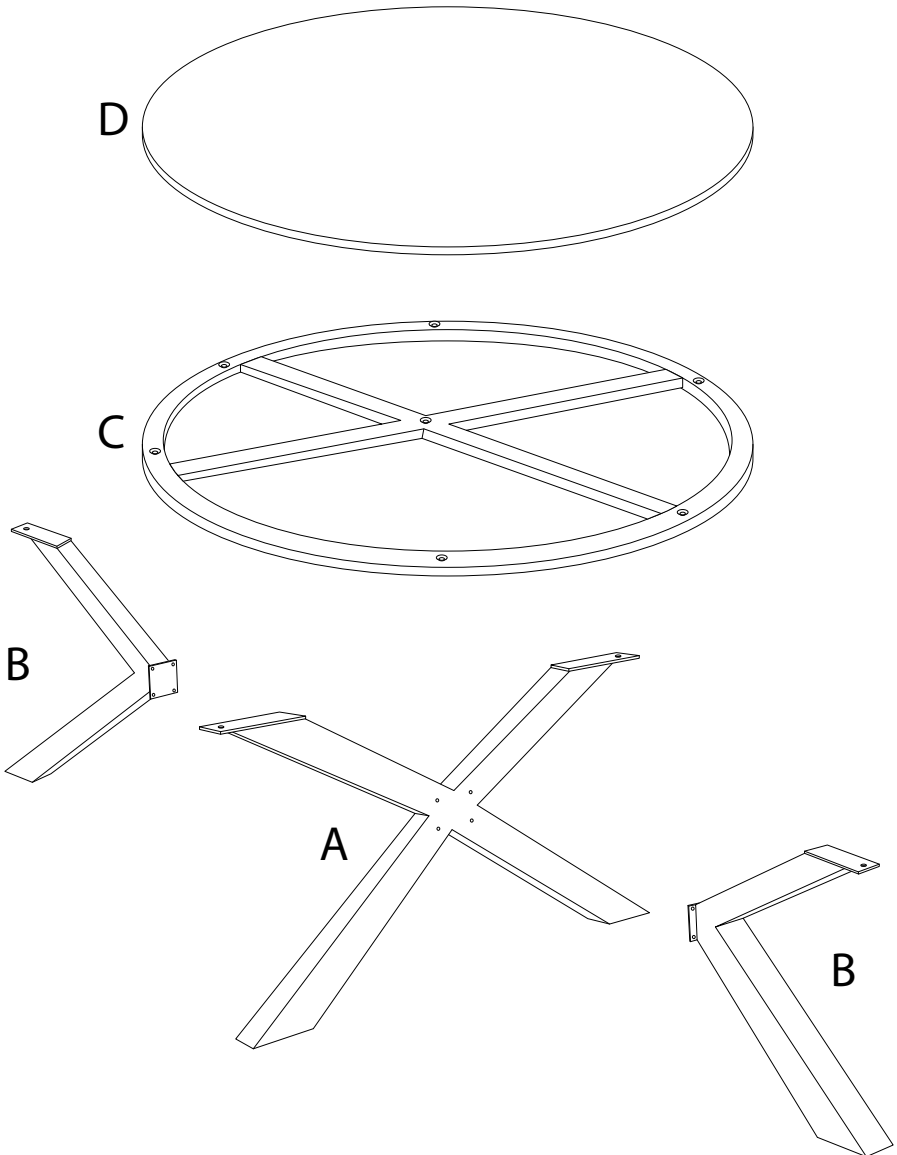
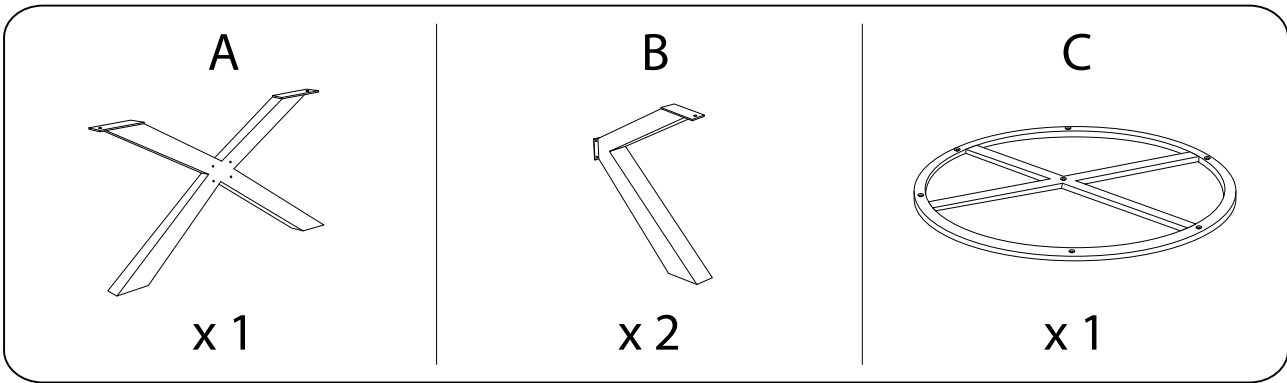


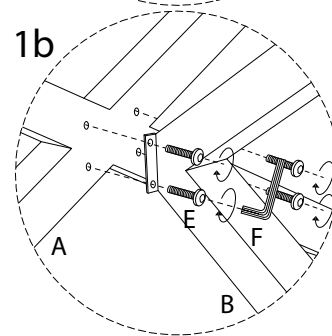
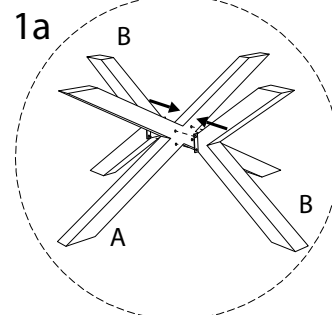
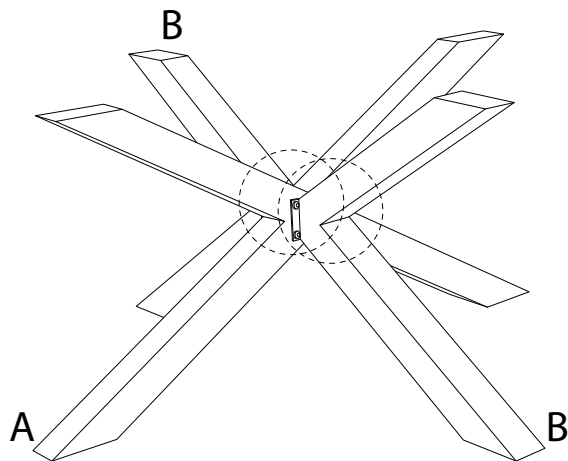
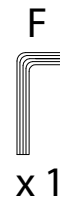
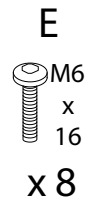
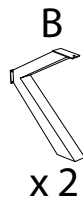
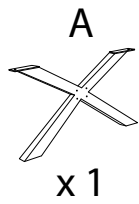
Diagram illustrating assembly steps and safety warnings:

- Step 1:** Shows an L-shaped metal bracket and a power drill with a slash through it, indicating that a power drill should not be used. A warning triangle with an exclamation mark is present.
- Step 2:** Shows a rectangular block being placed on a surface and a diagram of the block being secured with a screw. A warning triangle with an exclamation mark is present.
- Time:** A clock icon indicates a duration of 30'.
- Personnel:** An icon of a person indicates that 2 people are required for this step.

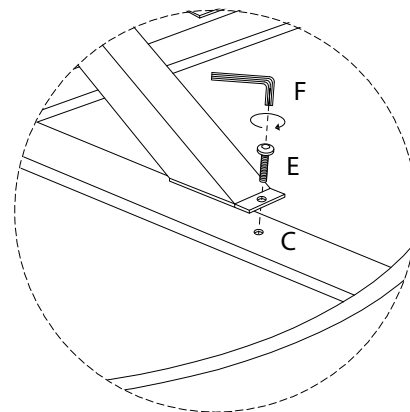
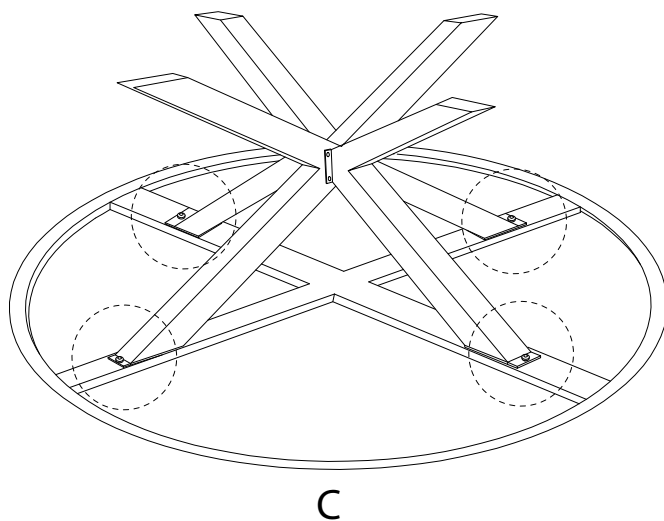
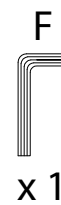
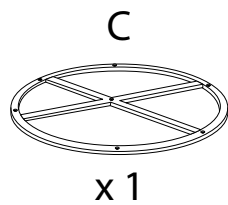
1/4



1



2



3

