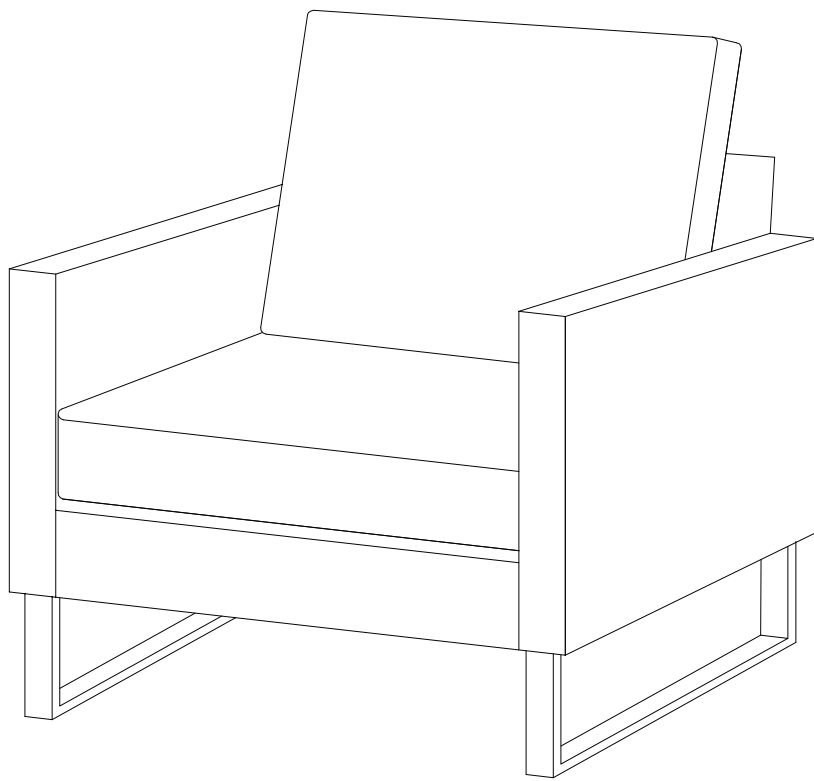


VIND



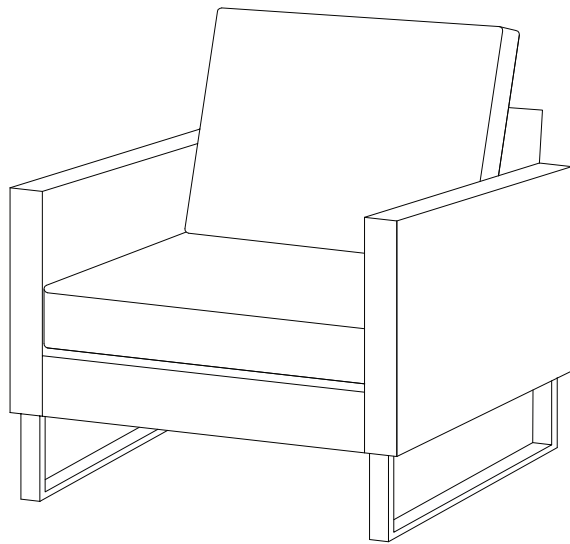
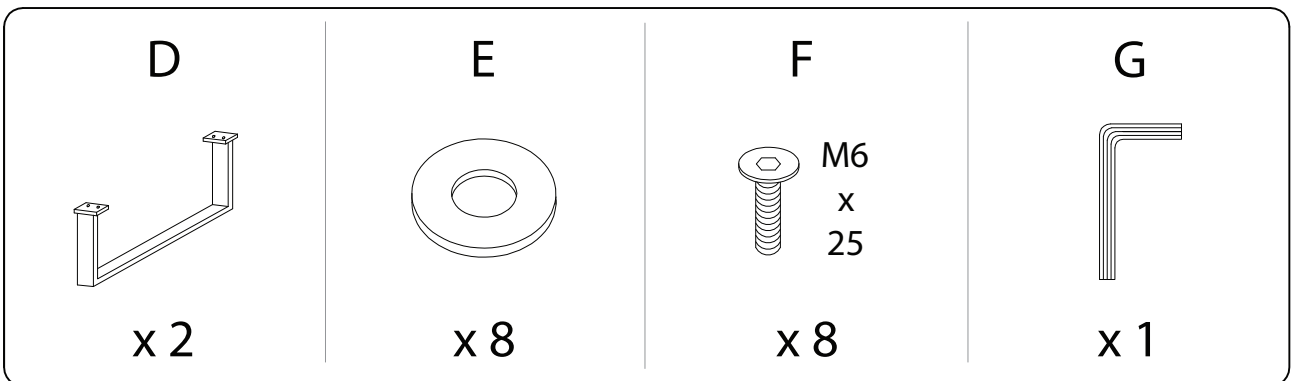
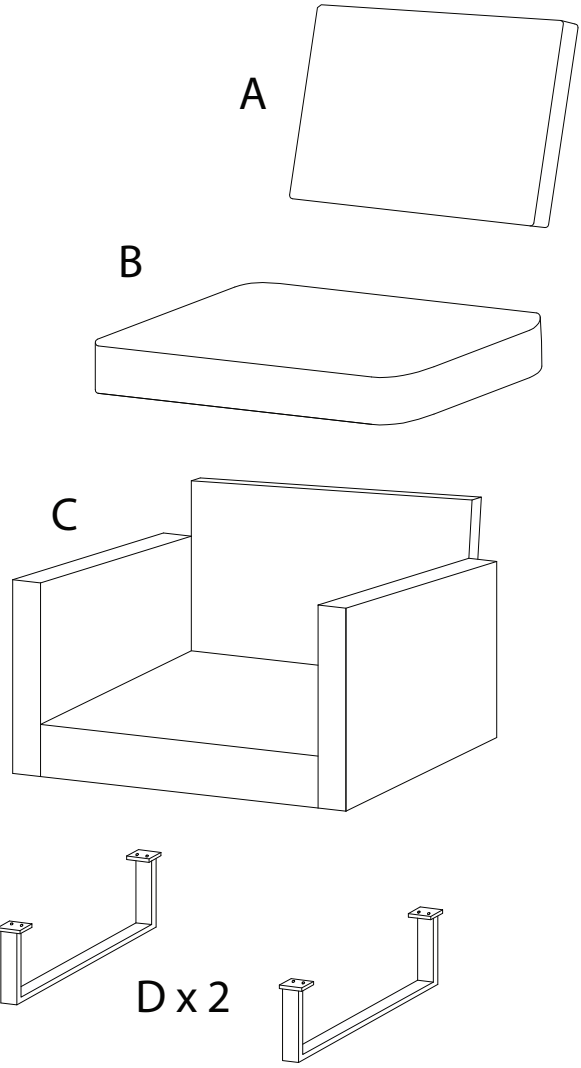
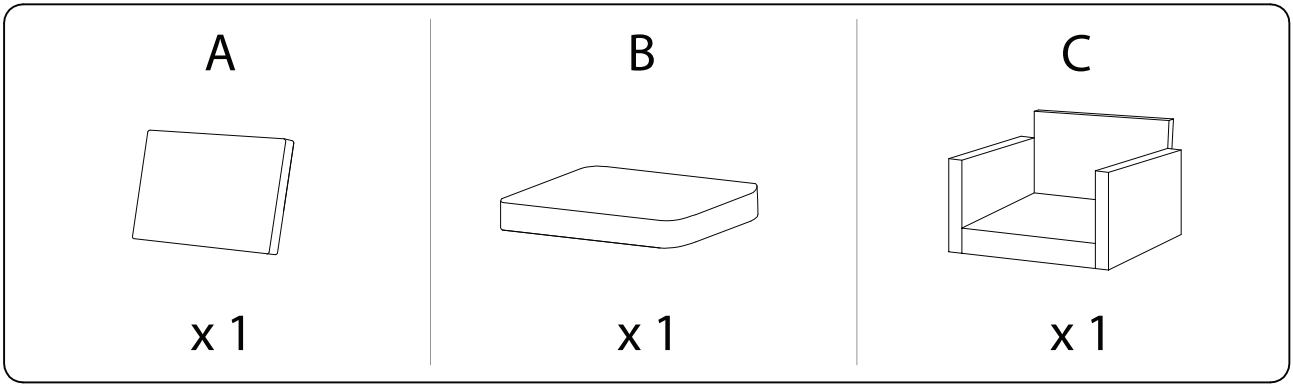
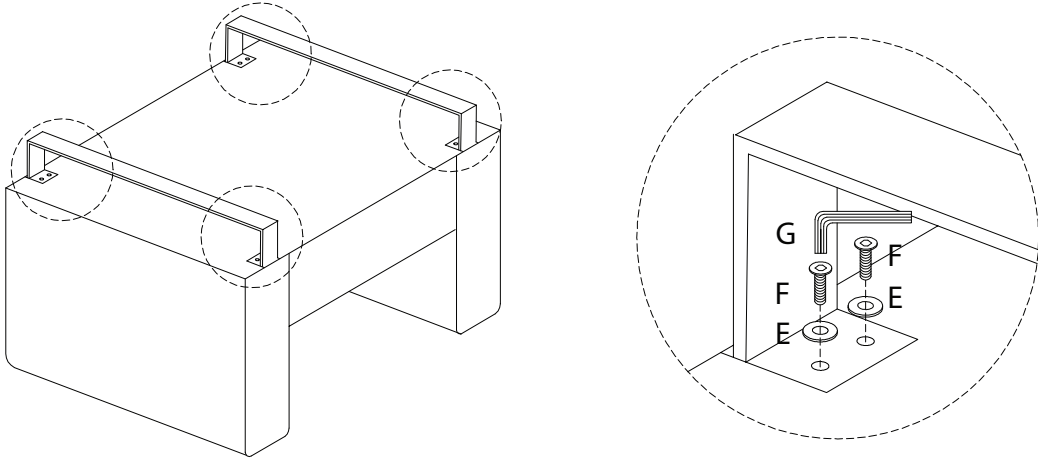
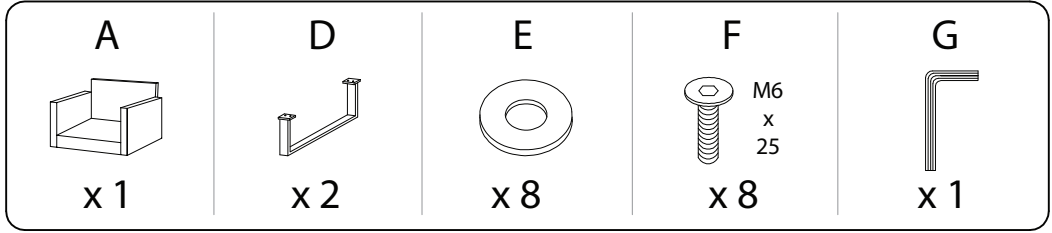


Diagram illustrating assembly instructions and safety warnings:

- Warning 1:** A warning triangle with an exclamation mark is positioned above a box containing:
 - An icon of an L-shaped metal bracket.
 - An icon of a power drill with a slash through it, indicating that a power drill should not be used.
- Warning 2:** A warning triangle with an exclamation mark is positioned above a box containing:
 - An icon of a rectangular block being placed on a textured surface.
 - An icon of a rectangular block with a slash through it, indicating that the block should not be placed on a hard surface.
- Time:** A clock icon with a circular arrow indicates a duration of **20'**.
- Personnel:** An icon of a person indicates that **1** person is required for the task.



1



2

