

FRIONA

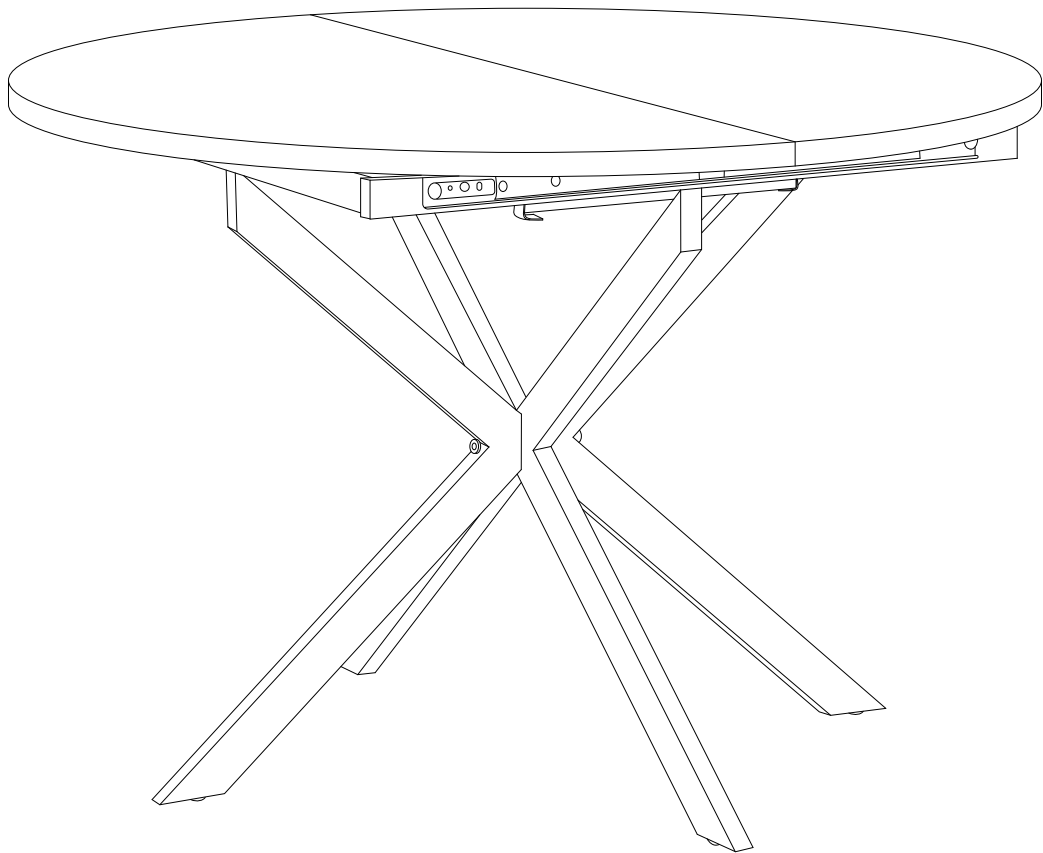
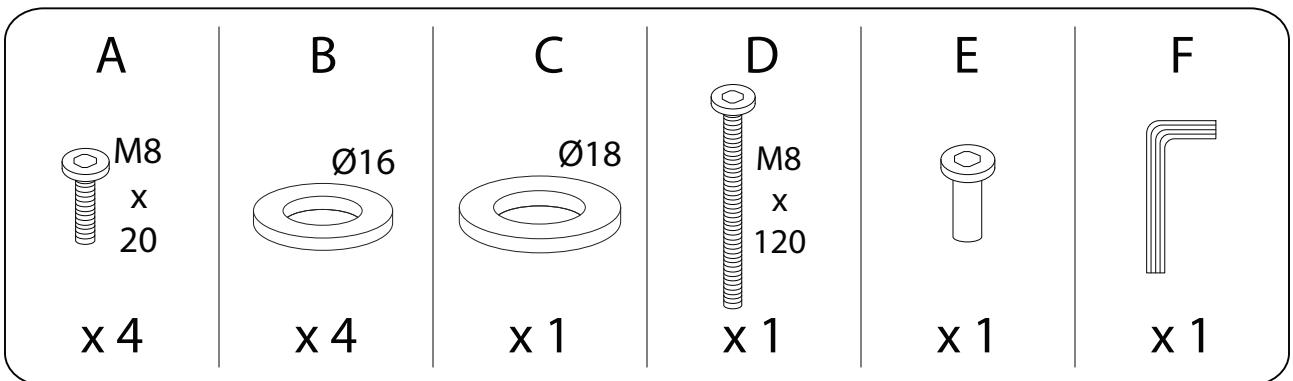
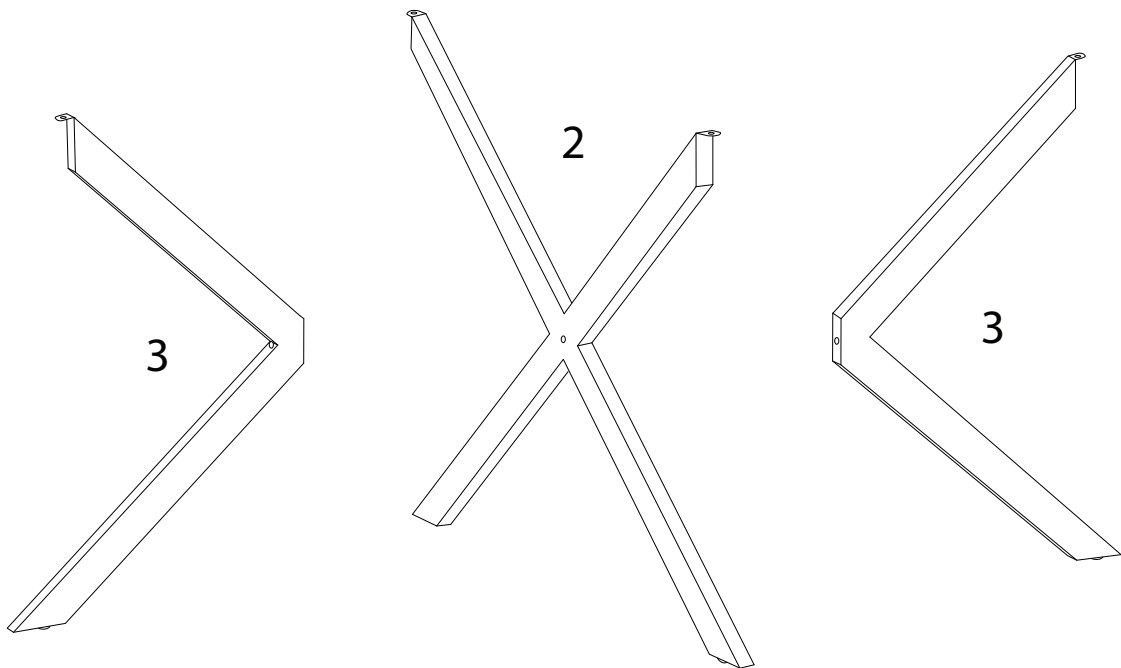
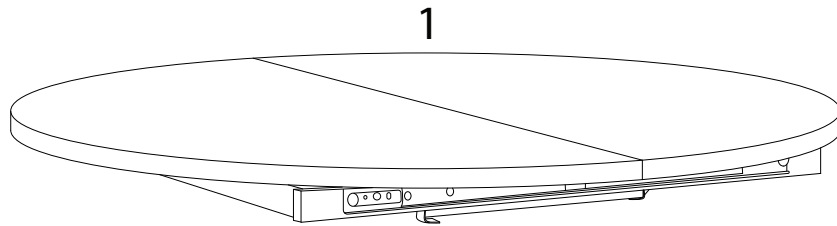
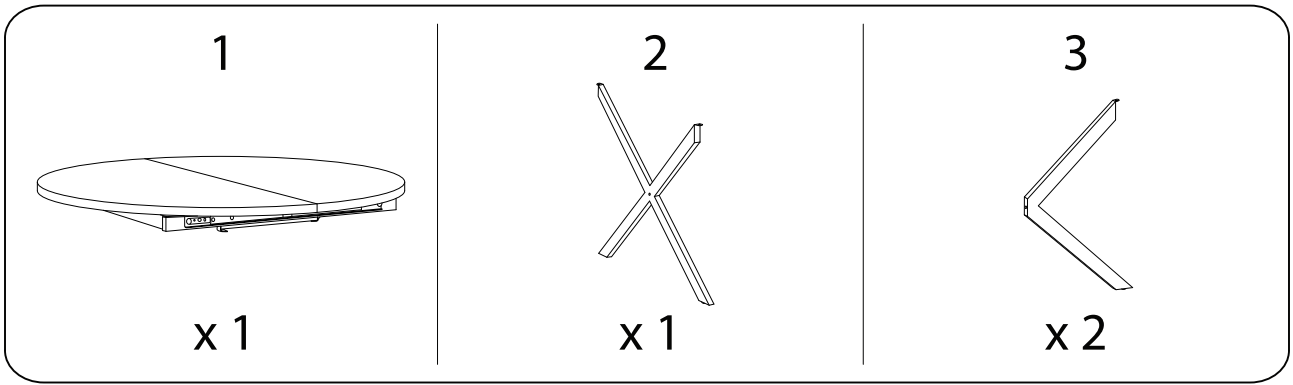


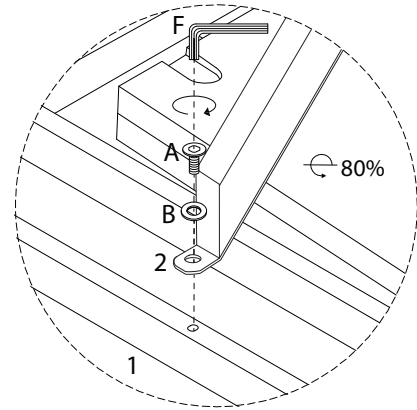
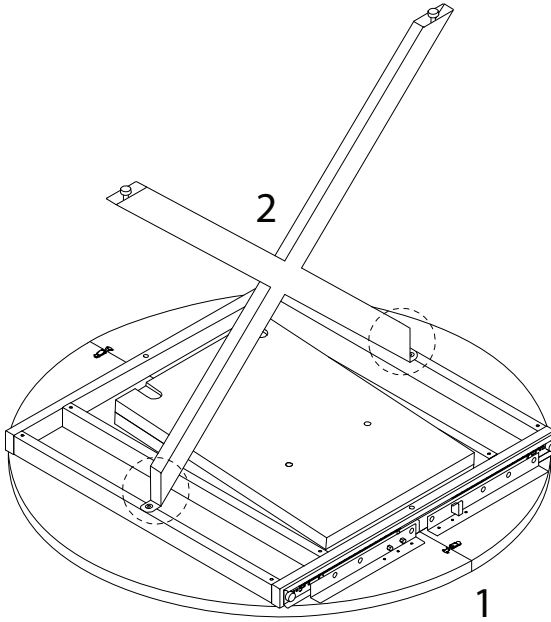
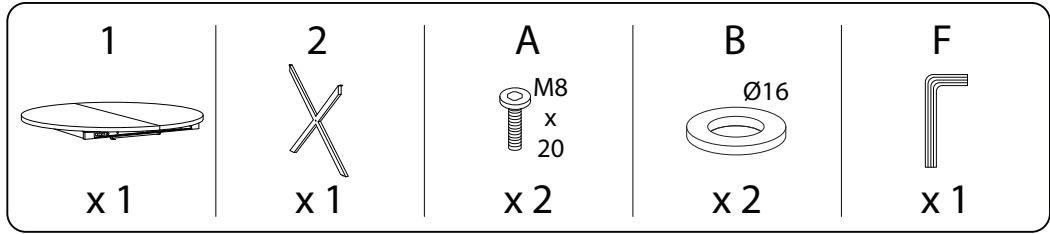


Diagram illustrating assembly instructions and safety warnings:

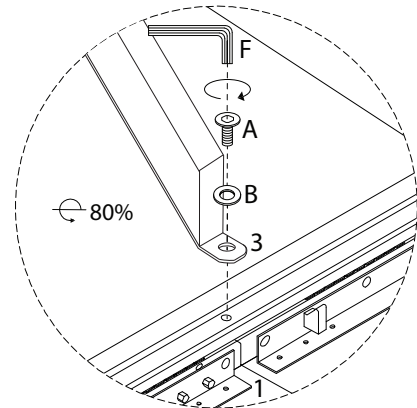
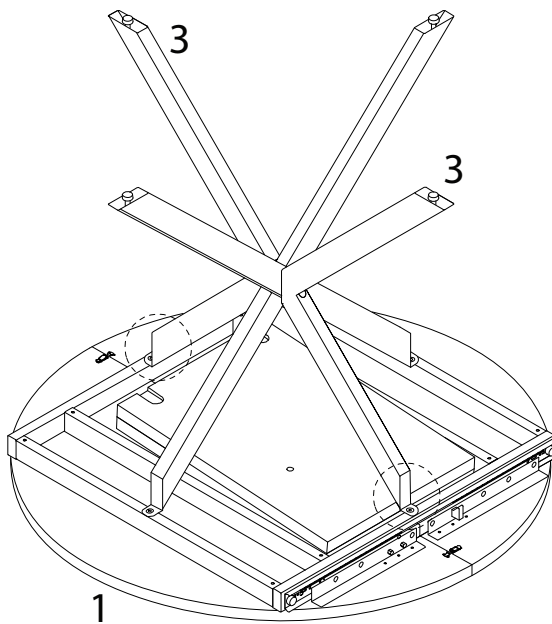
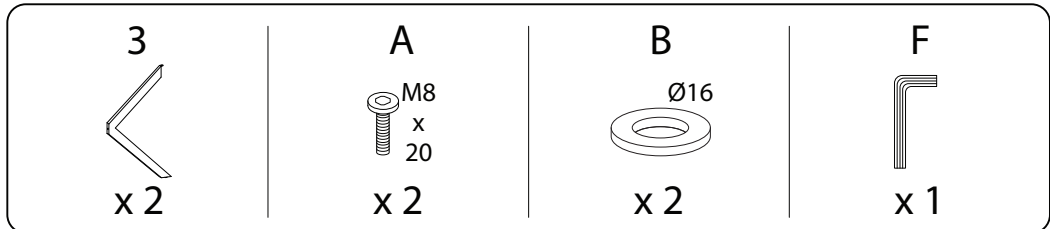
- Warning 1:** A warning triangle with an exclamation mark is positioned above a box containing an L-shaped bracket and a power drill with a slash through it, indicating that a power drill should not be used for this step.
- Warning 2:** A second warning triangle with an exclamation mark is positioned above a box containing a rectangular block being placed on a surface and a diagram showing a block being secured with a screw.
- Time:** A clock icon with a circular arrow indicates a 30-minute duration, labeled "30'".
- Personnel:** An icon of a person indicates that 2 people are required for this step, labeled "2".



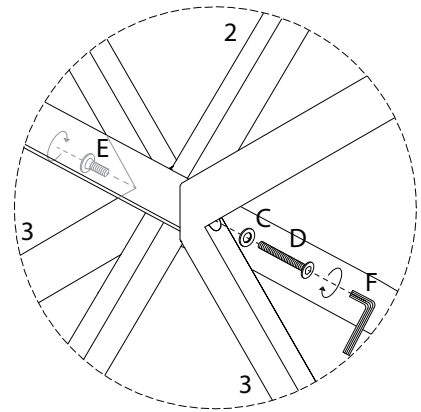
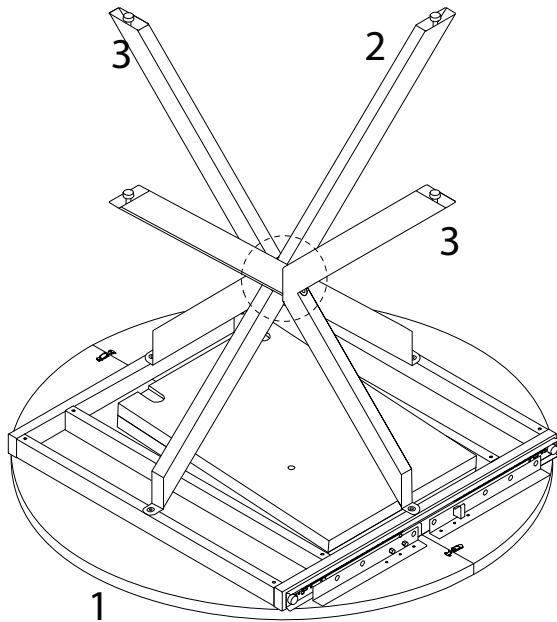
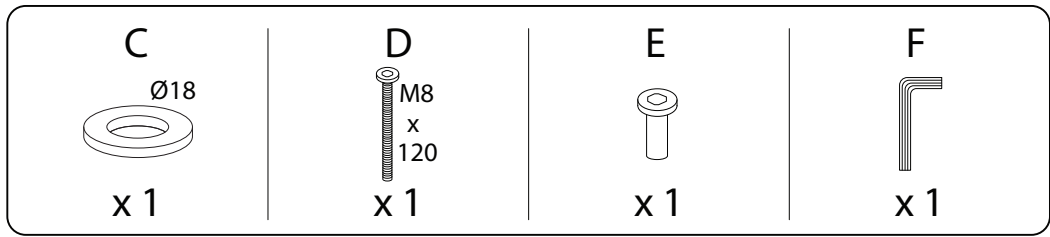
1



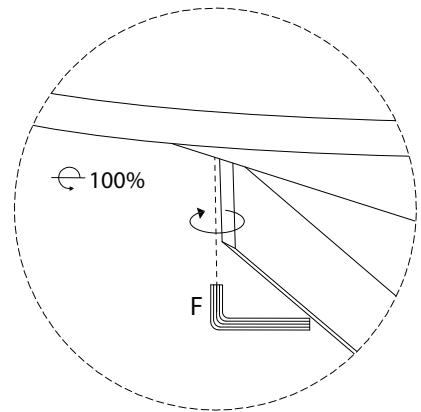
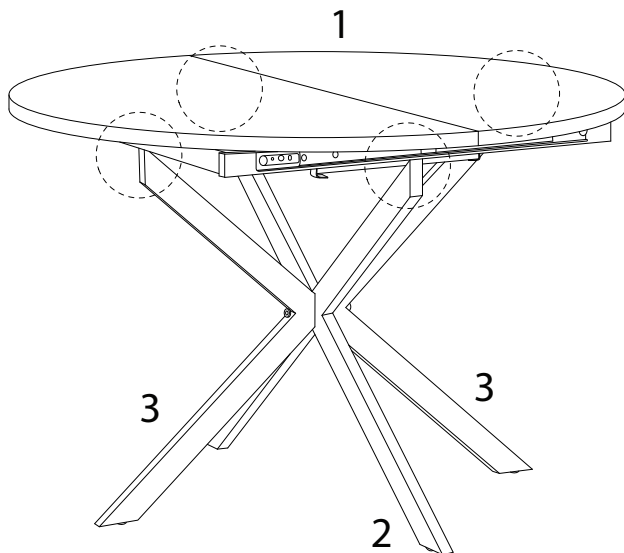
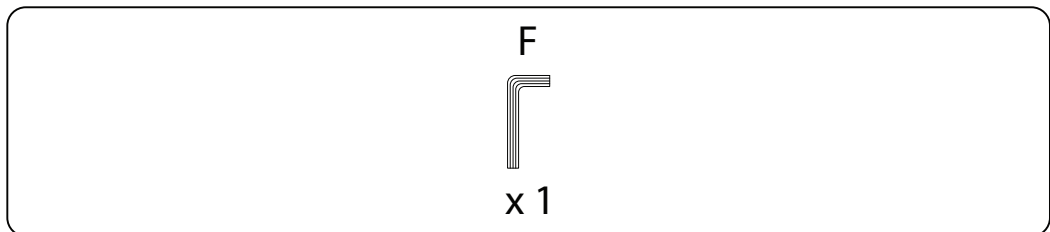
2



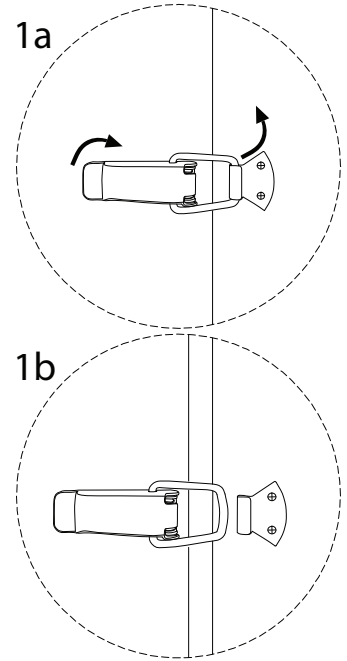
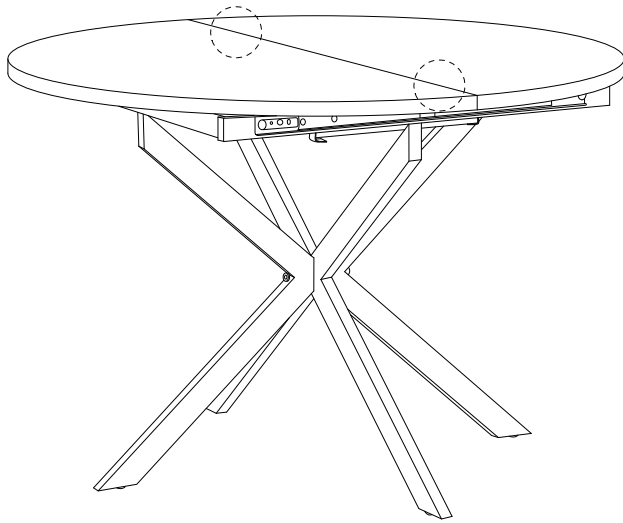
3



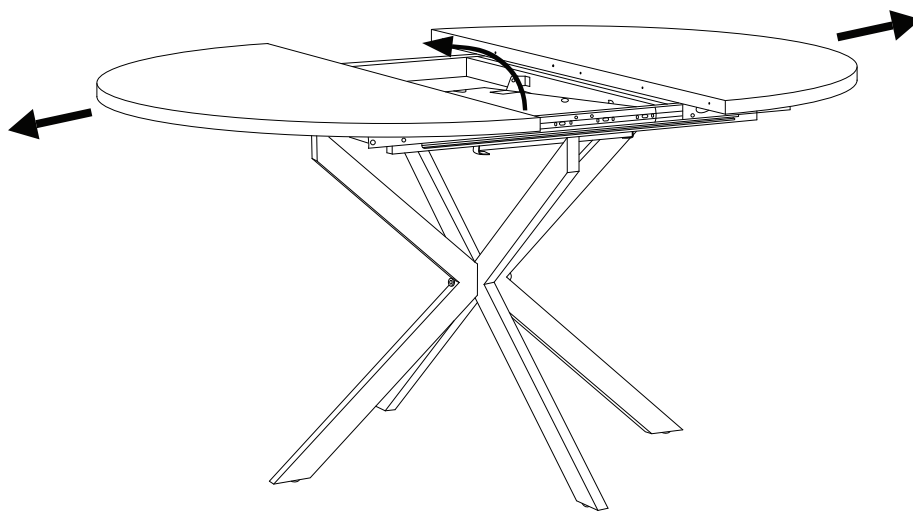
4



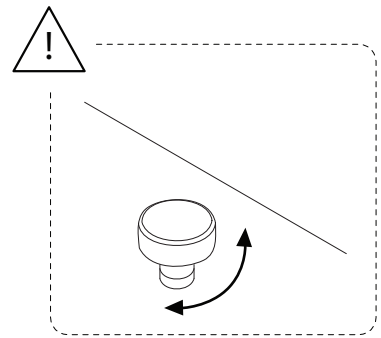
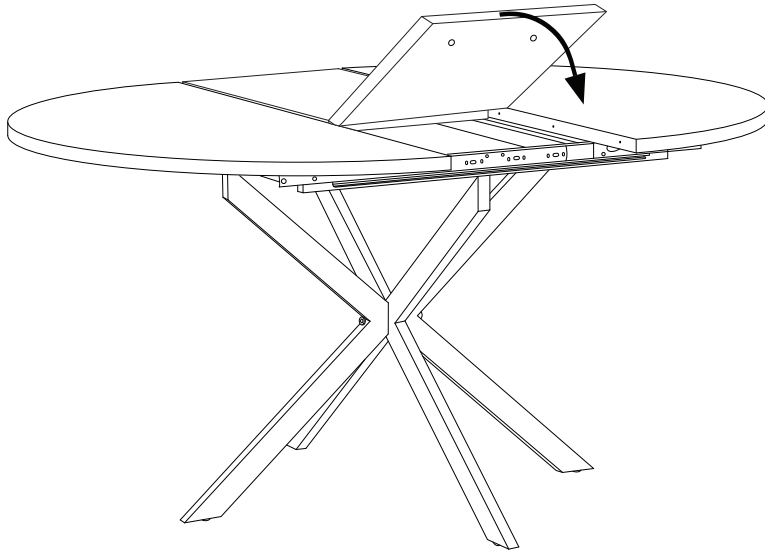
5



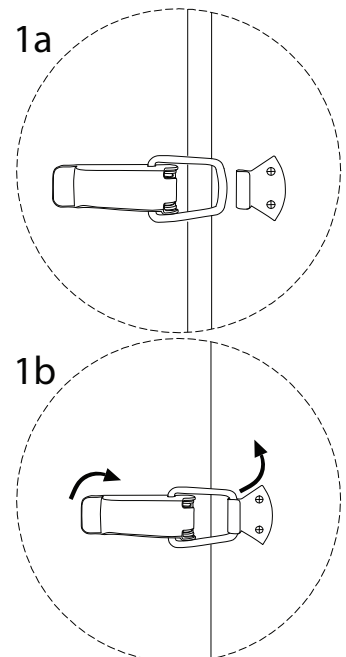
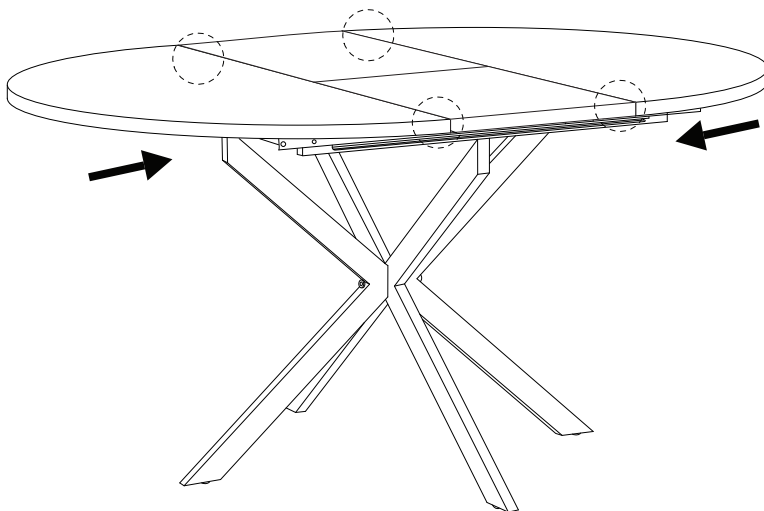
6



7



8



9

