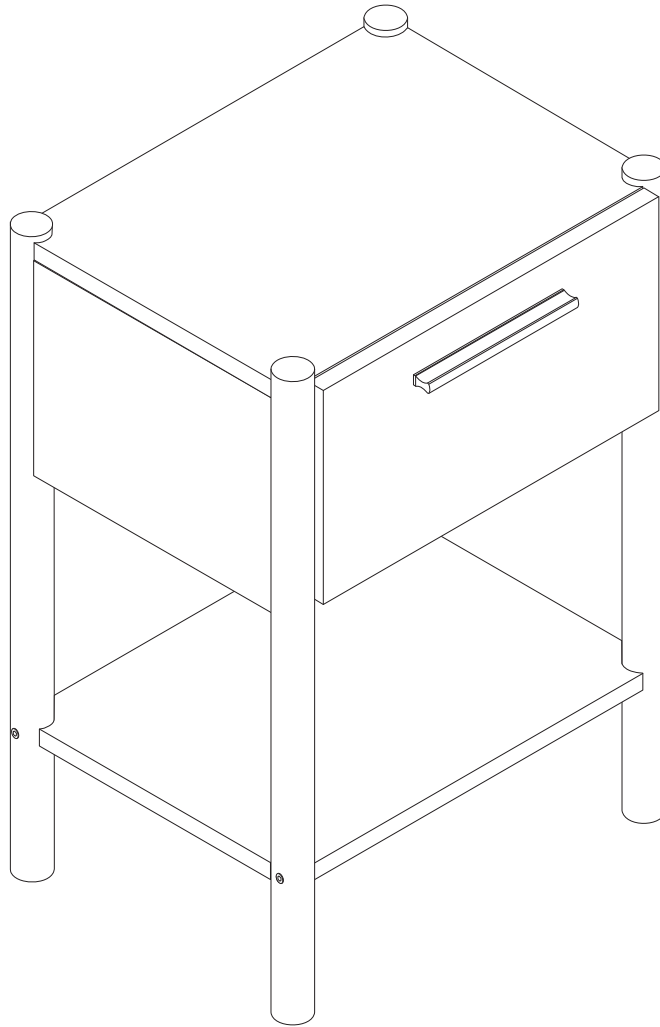


HOLDERVILLE



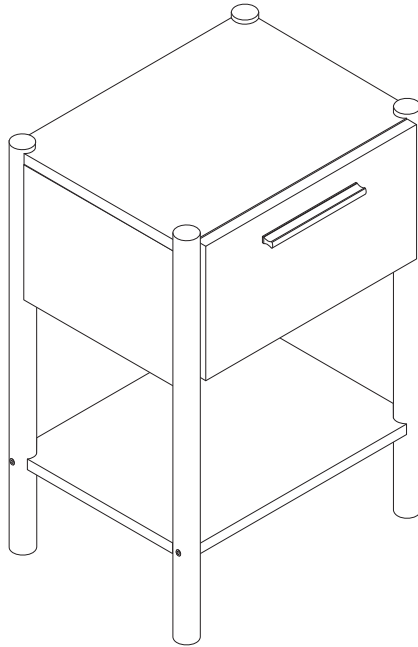
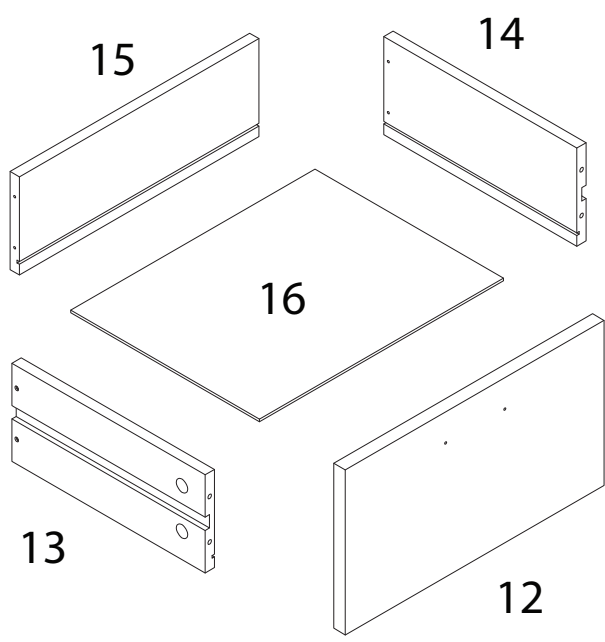
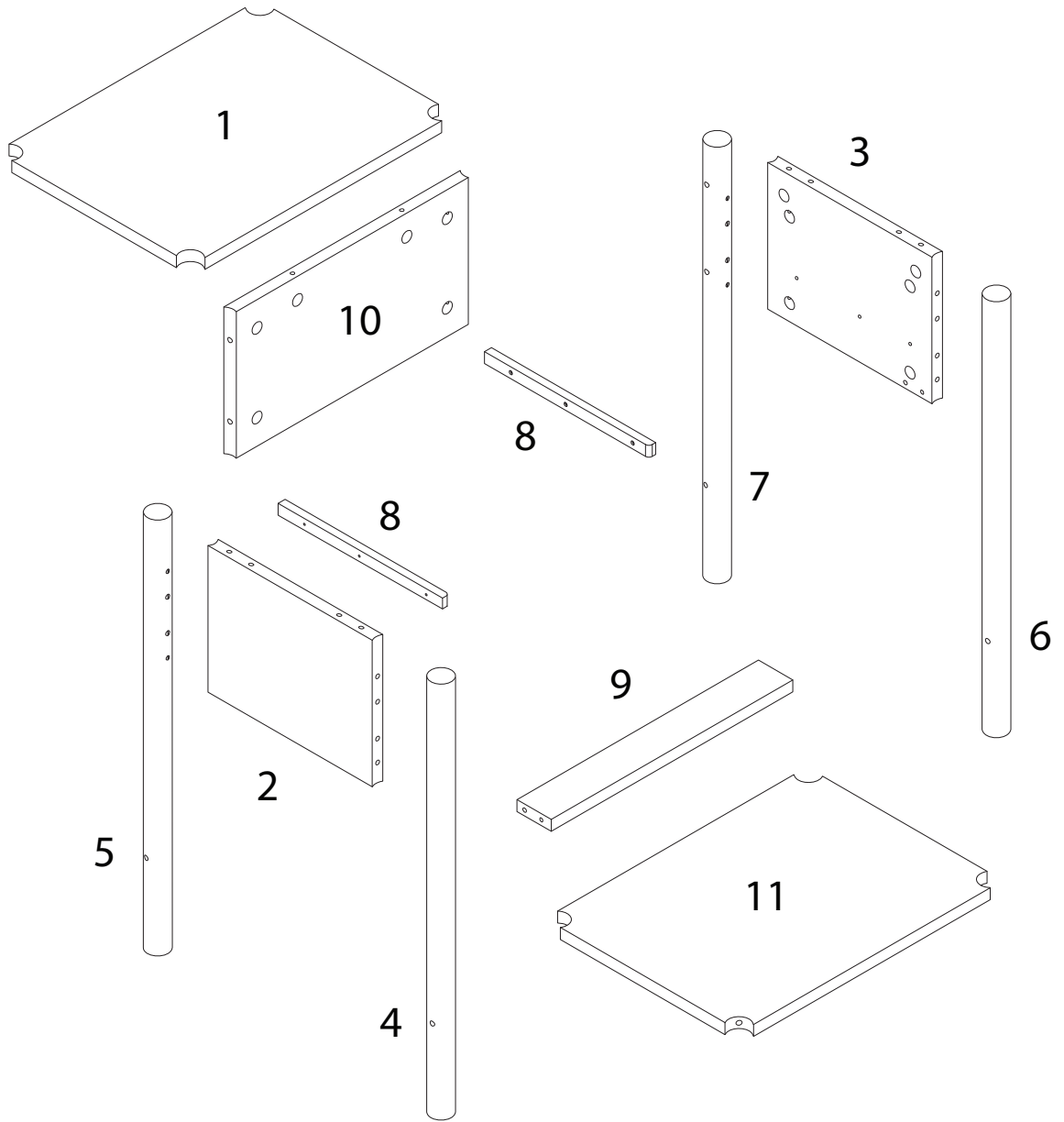
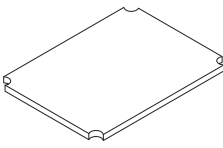
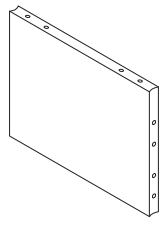
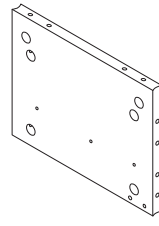




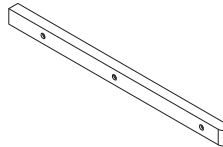
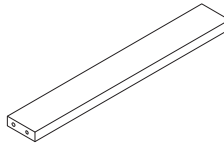
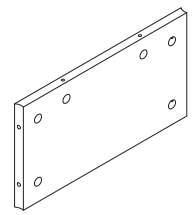
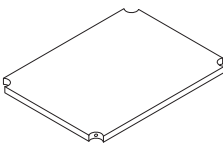
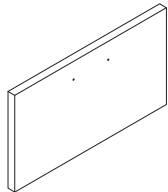
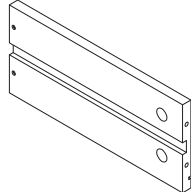
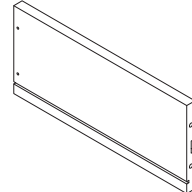
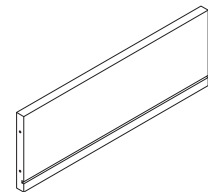
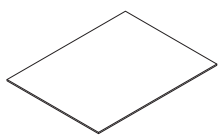

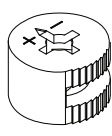
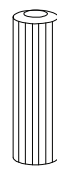
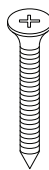
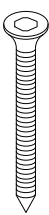
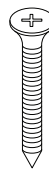
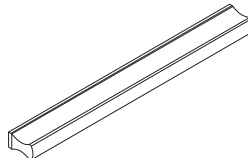
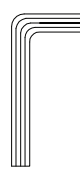


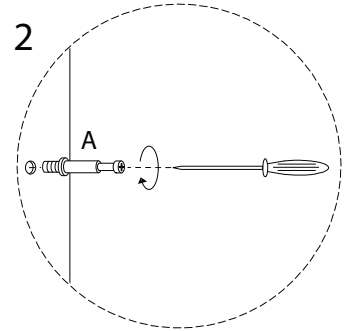
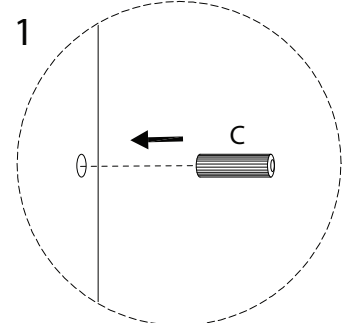
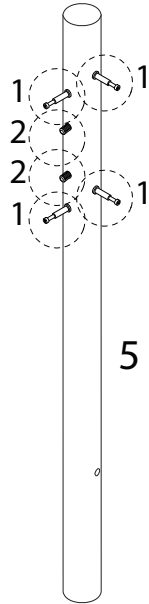
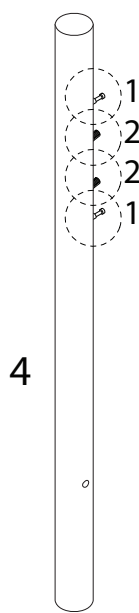
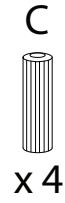
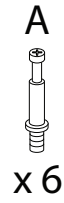
Diagram illustrating assembly instructions and safety warnings:

- Top Section:** Shows a circular inset with a screwdriver and an L-shaped bracket. Next to it is a crossed-out power drill icon. To the right is a warning triangle with an exclamation mark. Further right is a clock icon with a circular arrow, indicating a 20-minute duration.
- Bottom Section:** Shows a circular inset with a rectangular block being placed on a textured surface. Next to it is a crossed-out icon of the block being placed on a smooth surface. To the right is a warning triangle with an exclamation mark. Further right is a person icon, indicating that 1 person is required for this step.

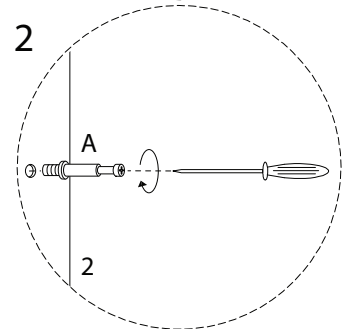
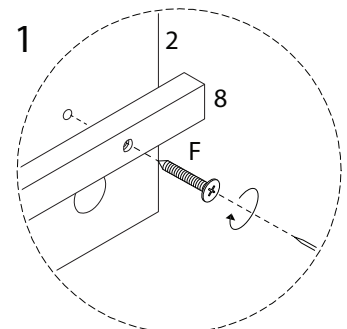
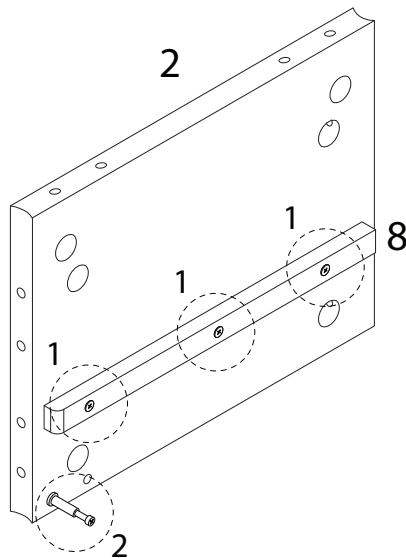
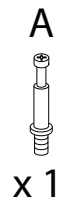
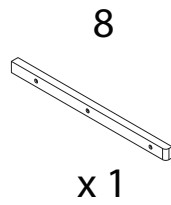
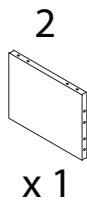


<p>1</p>  <p>x 1</p>	<p>2</p>  <p>x 1</p>	<p>3</p>  <p>x 1</p>	<p>4</p>  <p>x 1</p>	<p>5</p>  <p>x 1</p>
<p>6</p>  <p>x 1</p>	<p>7</p>  <p>x 1</p>	<p>8</p>  <p>x 2</p>	<p>9</p>  <p>x 1</p>	<p>10</p>  <p>x 1</p>
<p>11</p>  <p>x 1</p>	<p>12</p>  <p>x 1</p>	<p>13</p>  <p>x 1</p>	<p>14</p>  <p>x 1</p>	<p>15</p>  <p>x 1</p>
<p>16</p>  <p>x 1</p>	<p>A</p>  <p>x 24</p>	<p>B</p>  <p>x 24</p>	<p>C</p>  <p>x 14</p>	<p>D</p>  <p>M4 x 30</p> <p>x 4</p>
<p>E</p>  <p>M5 x 40</p> <p>x 4</p>	<p>F</p>  <p>M4 x 25</p> <p>x 8</p>	<p>G</p>  <p>x 1</p>	<p>H</p>  <p>x 1</p>	

1

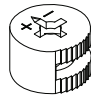


2

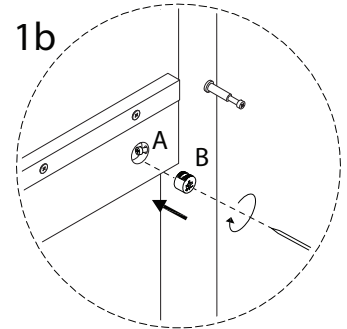
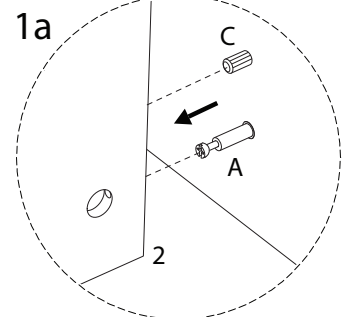
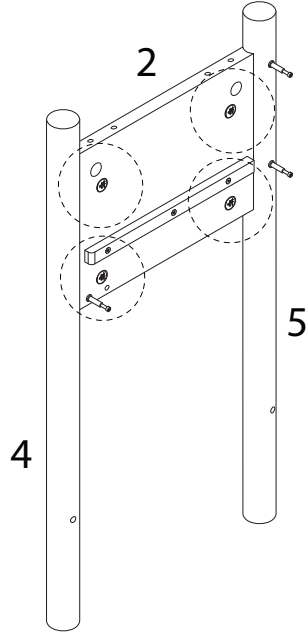


3

B



x 4



4

6



x 1

7



x 1

A

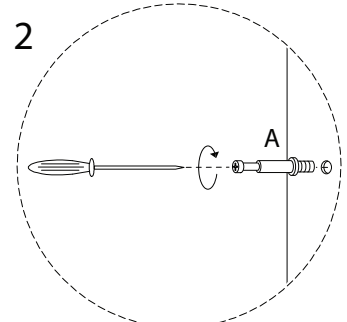
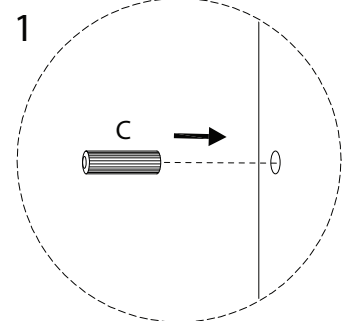
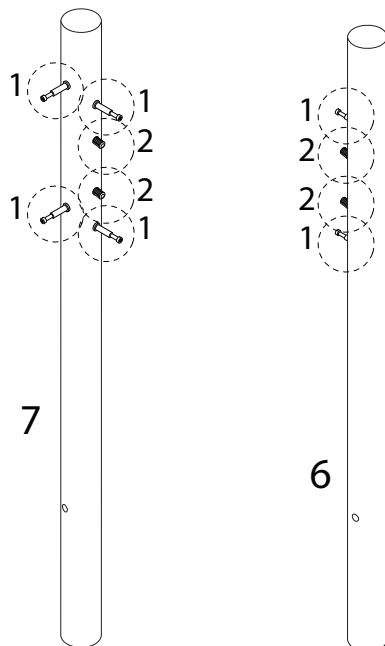


x 6

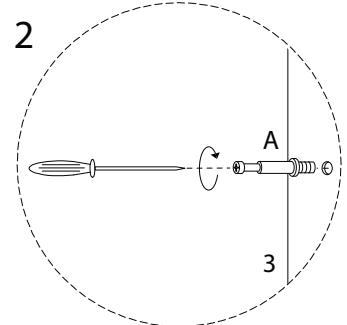
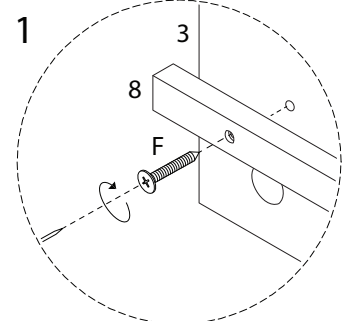
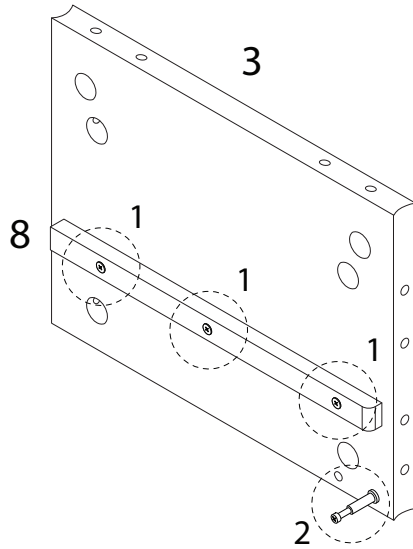
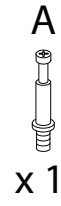
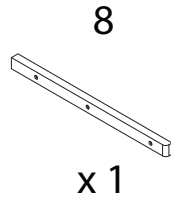
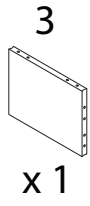
C



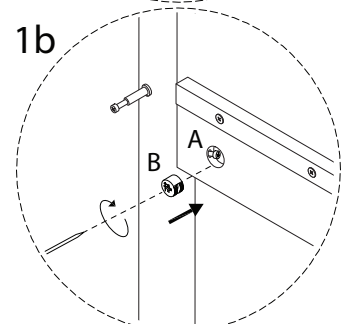
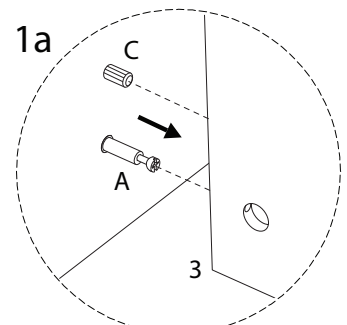
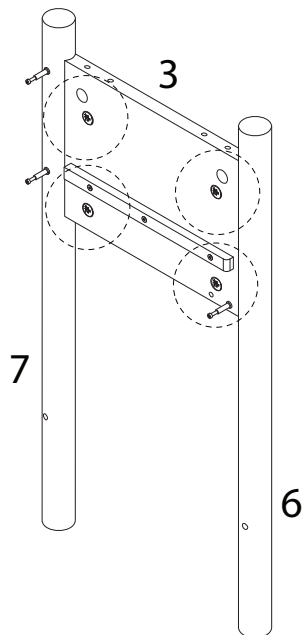
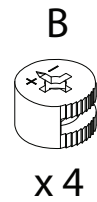
x 4



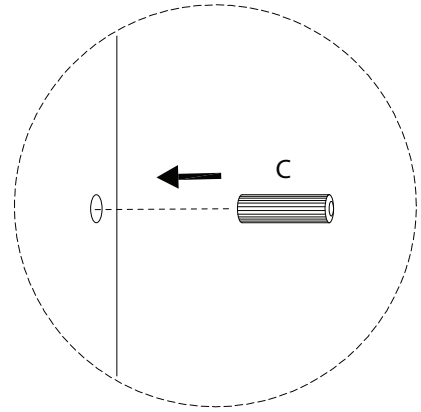
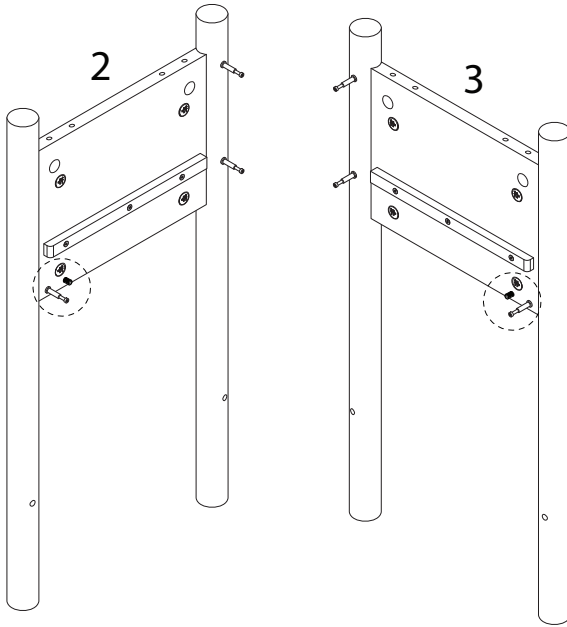
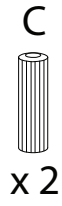
5



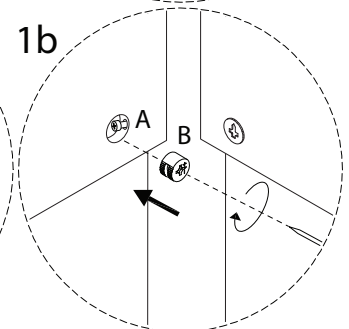
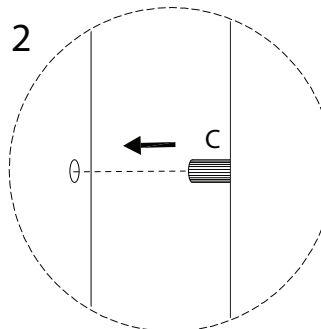
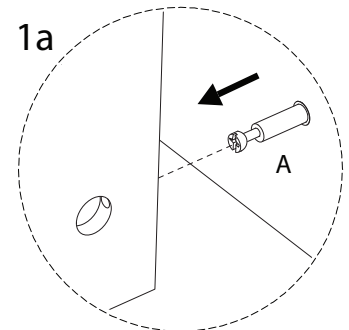
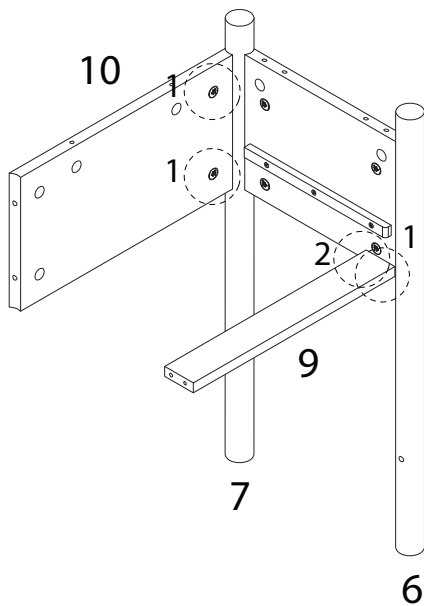
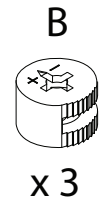
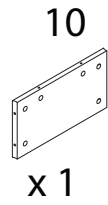
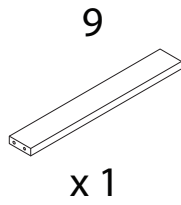
6



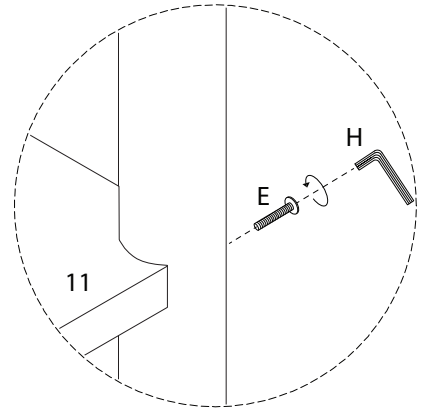
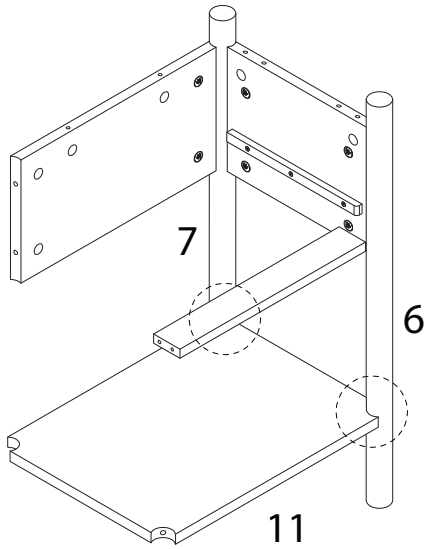
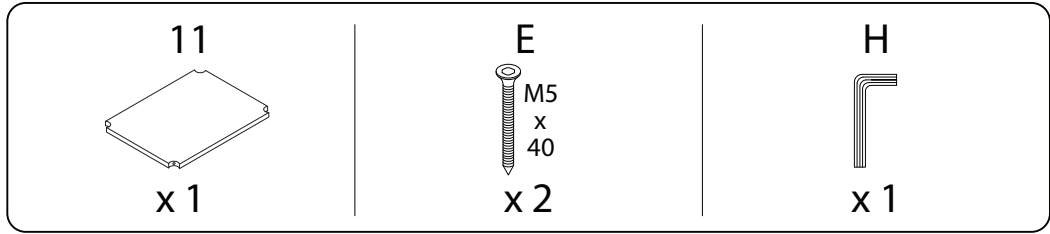
7



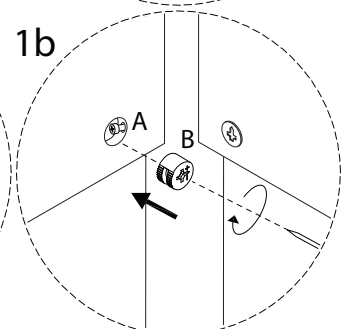
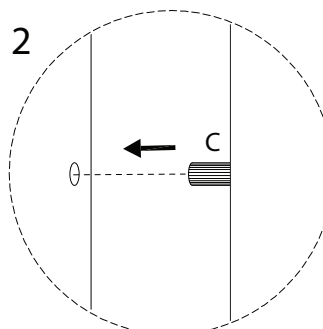
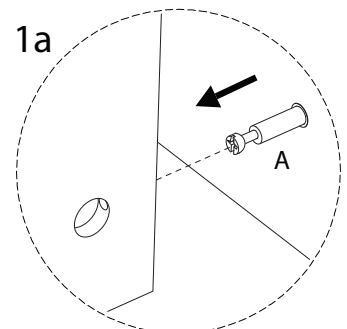
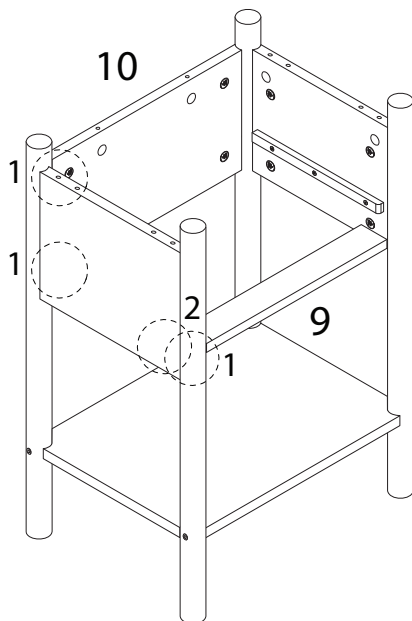
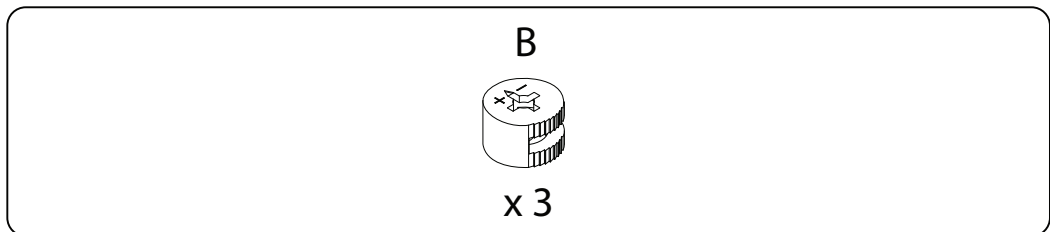
8



9



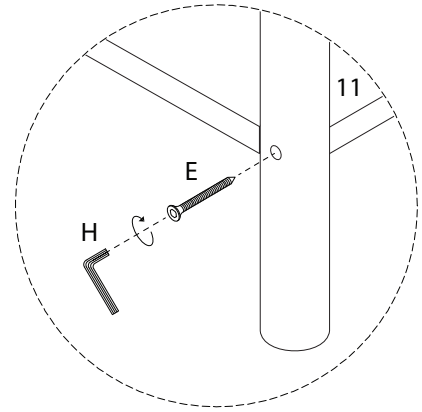
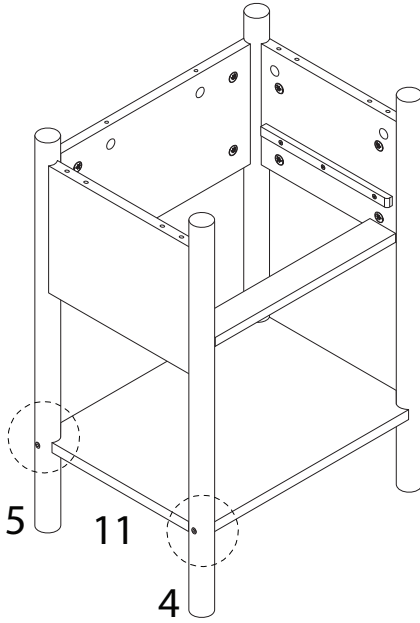
10



11

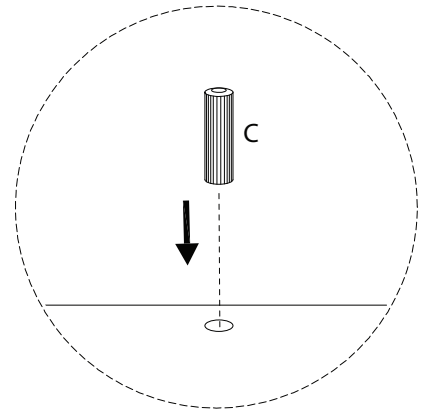
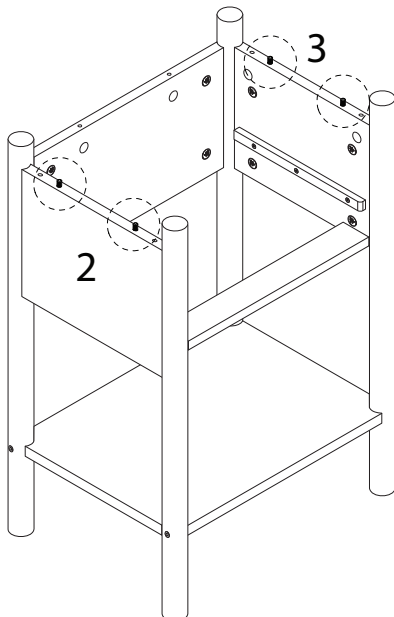
E
M5
x
40
x 2

H
x 1

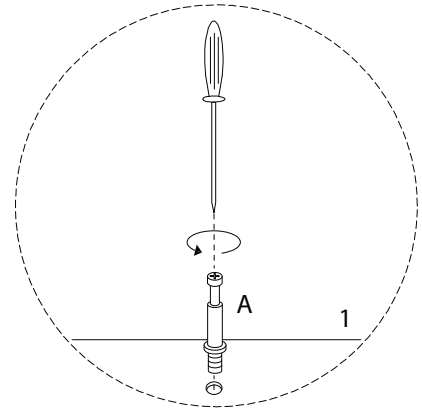
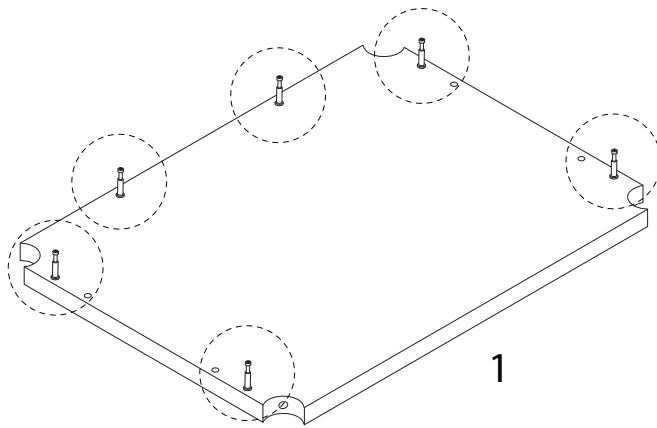
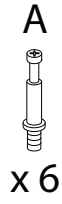


12

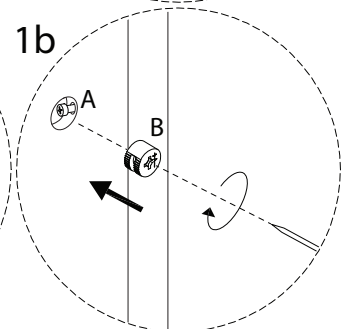
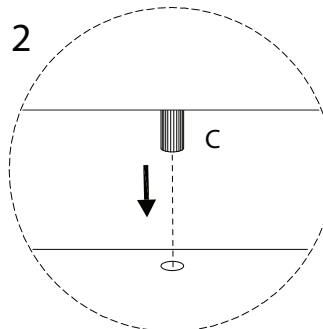
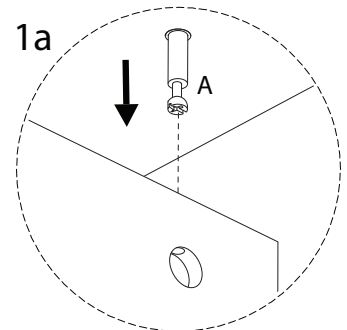
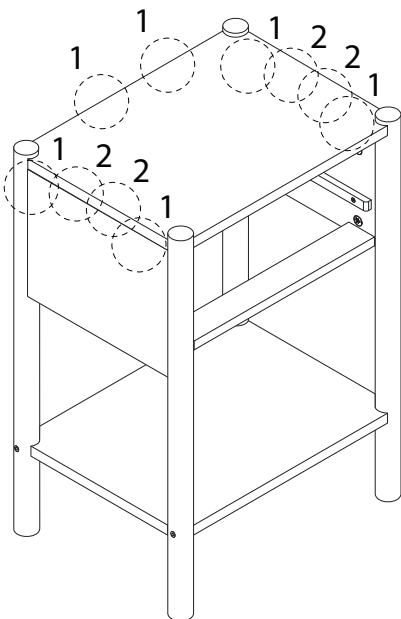
C
x 4



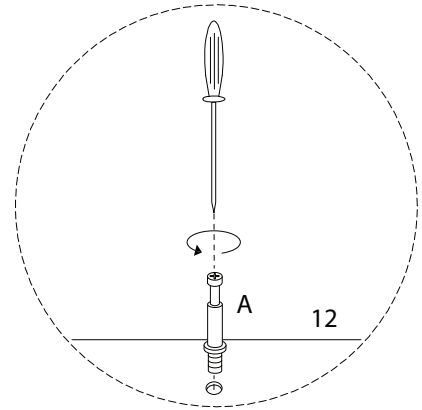
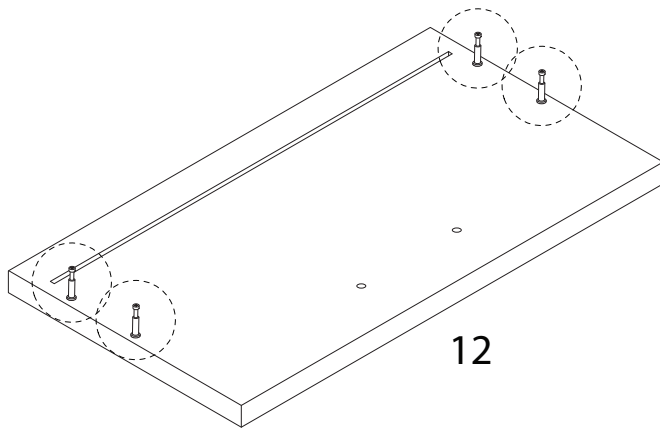
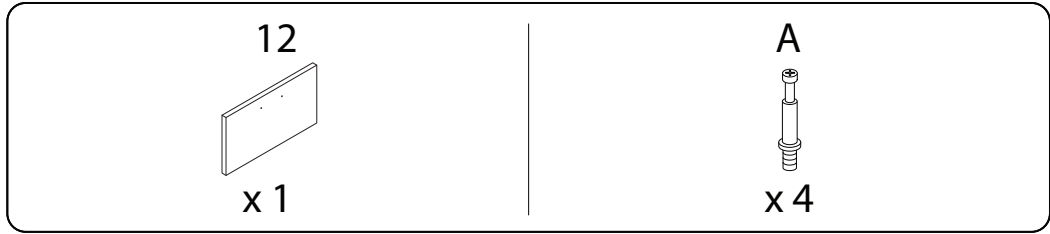
13



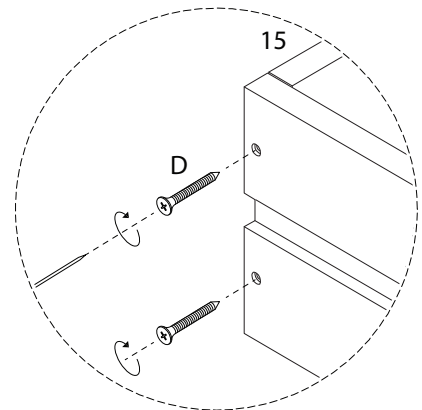
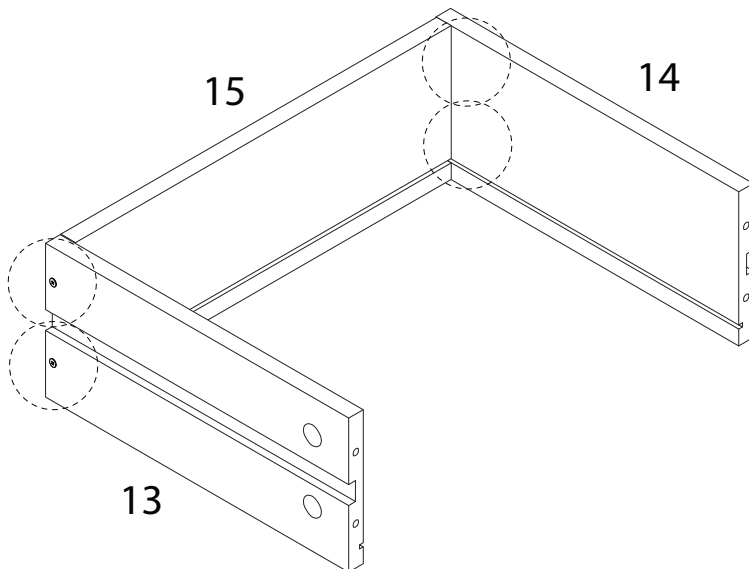
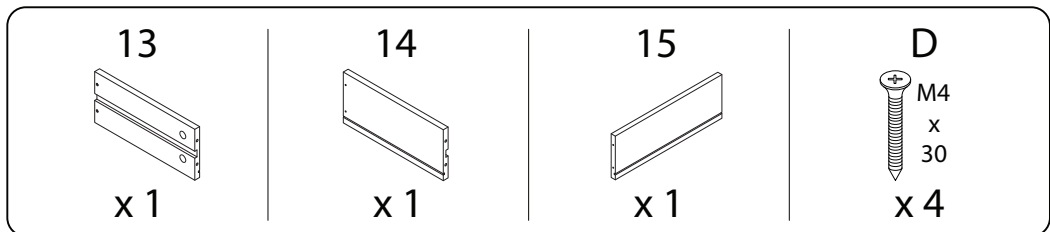
14



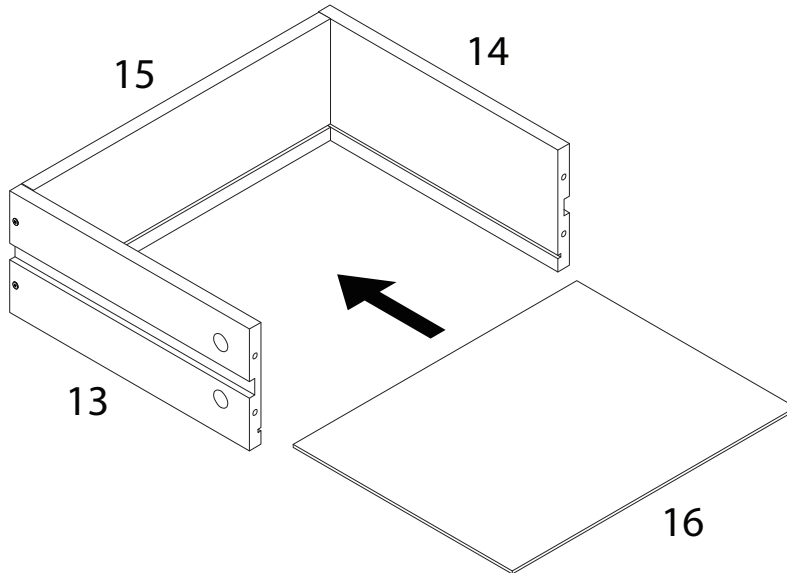
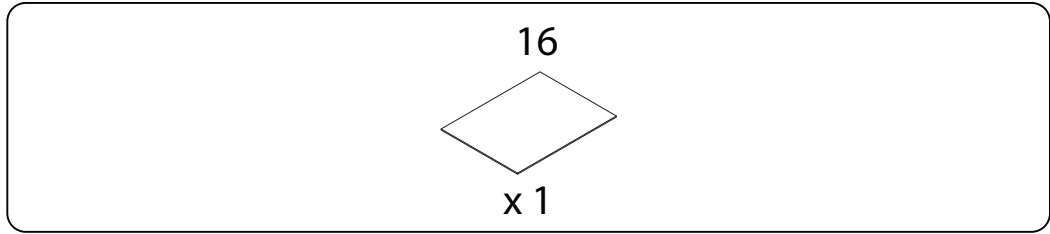
15



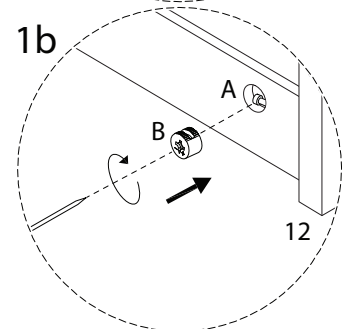
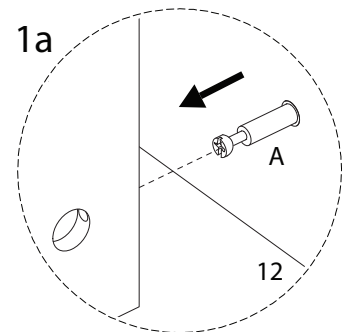
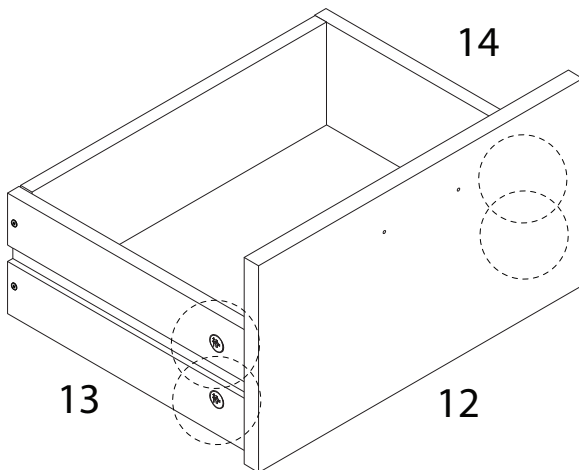
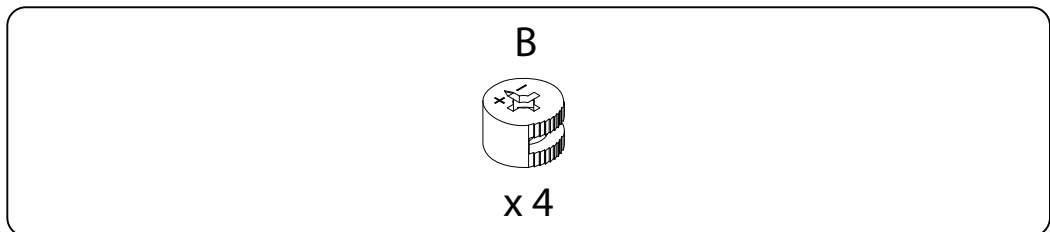
16



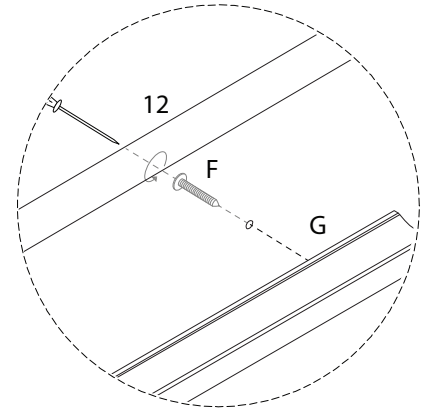
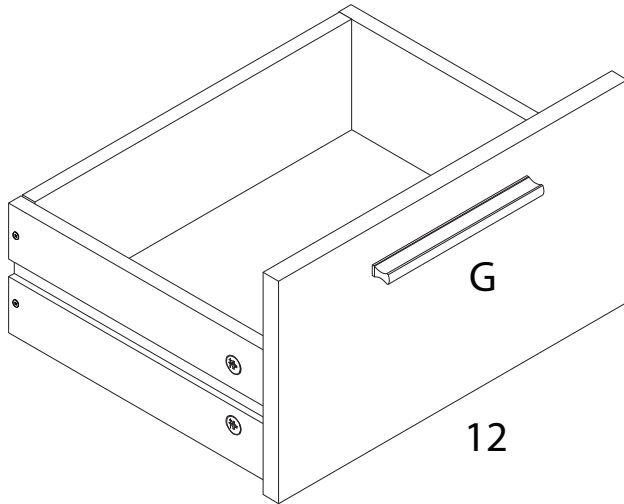
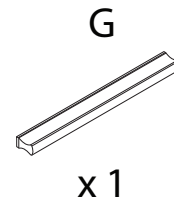
17



18



19



20

