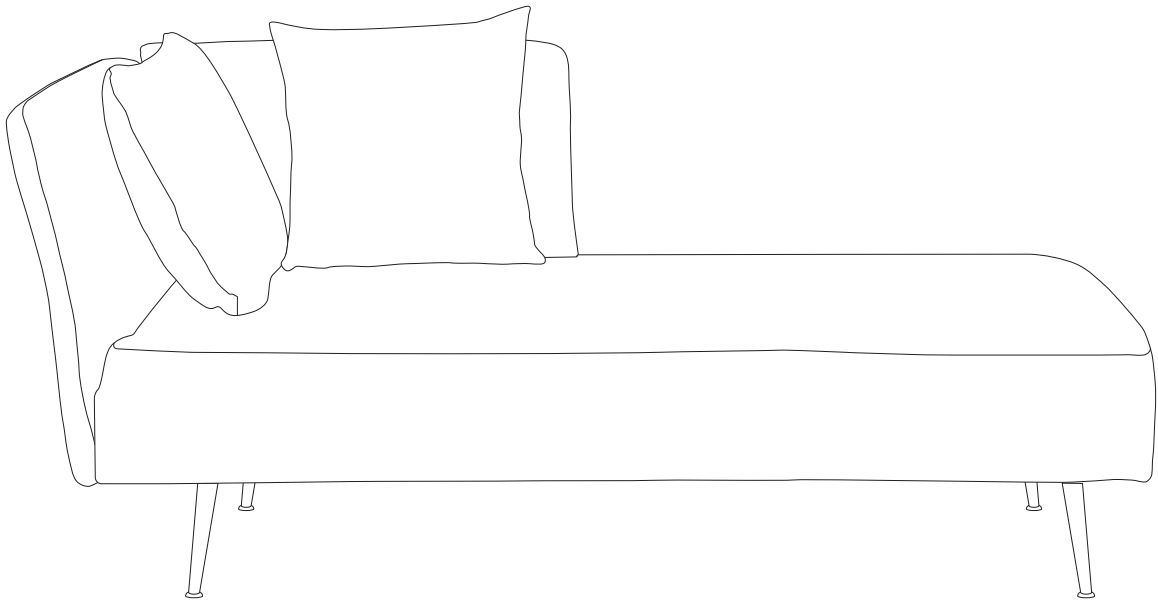
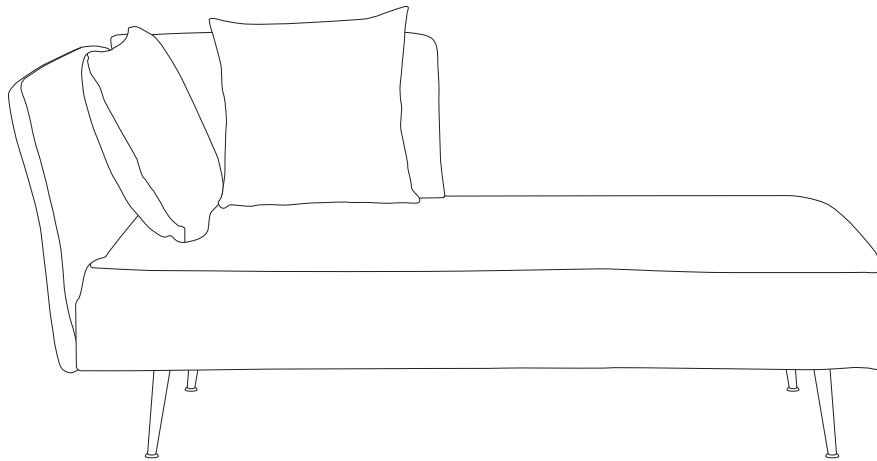




RIOM

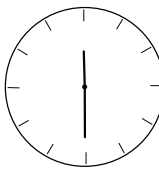


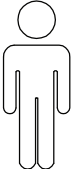


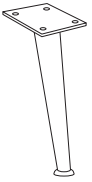


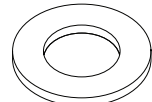
Assembly instructions for the chaise longue, including safety warnings, estimated time, and required personnel.

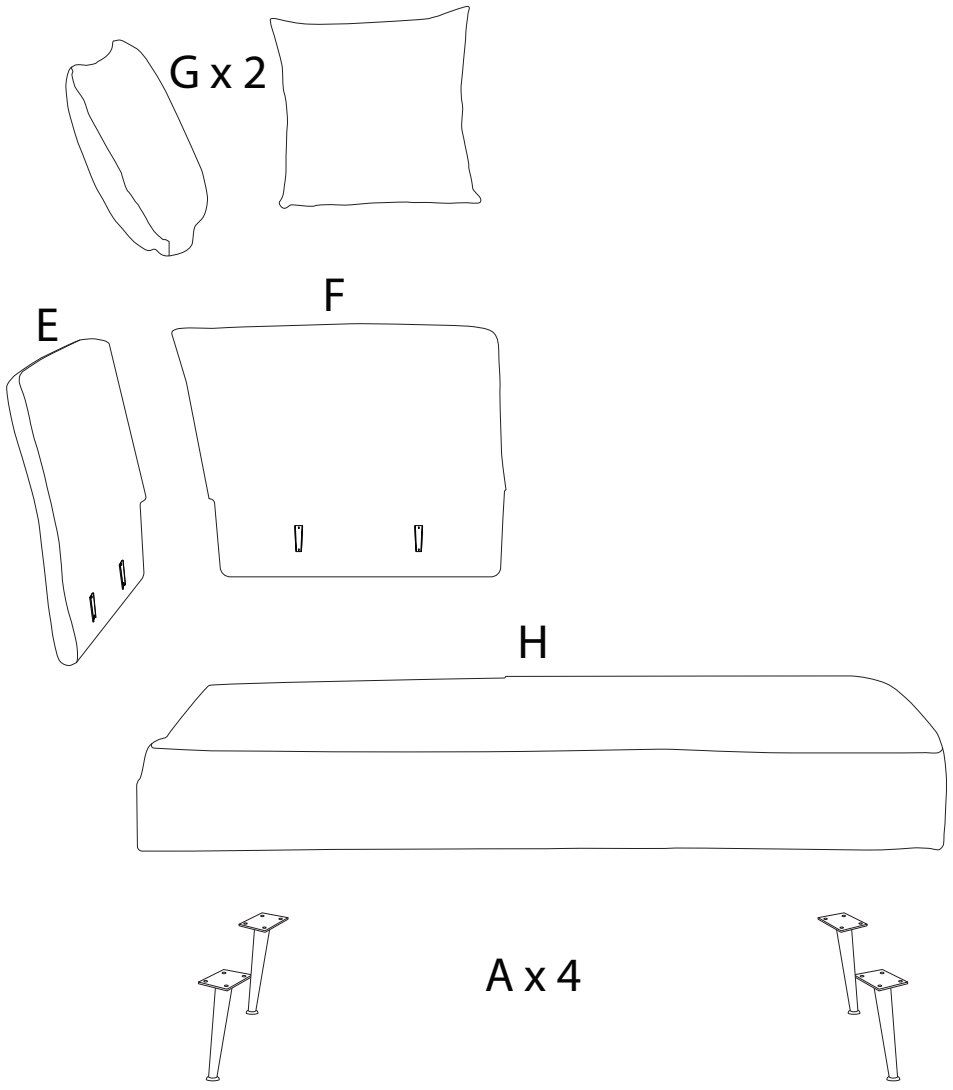
Warning 1: Do not use a power drill. Use an Allen key (shown in a circle) to tighten the legs. 

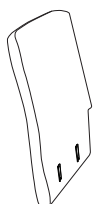
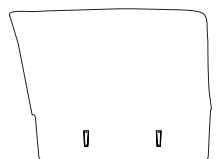
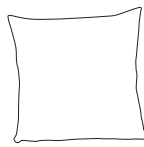
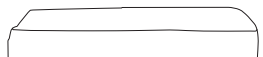
Warning 2: Do not place the chaise longue on a soft surface like a rug. Place it on a hard, flat surface. 

Estimated Time: 30' 

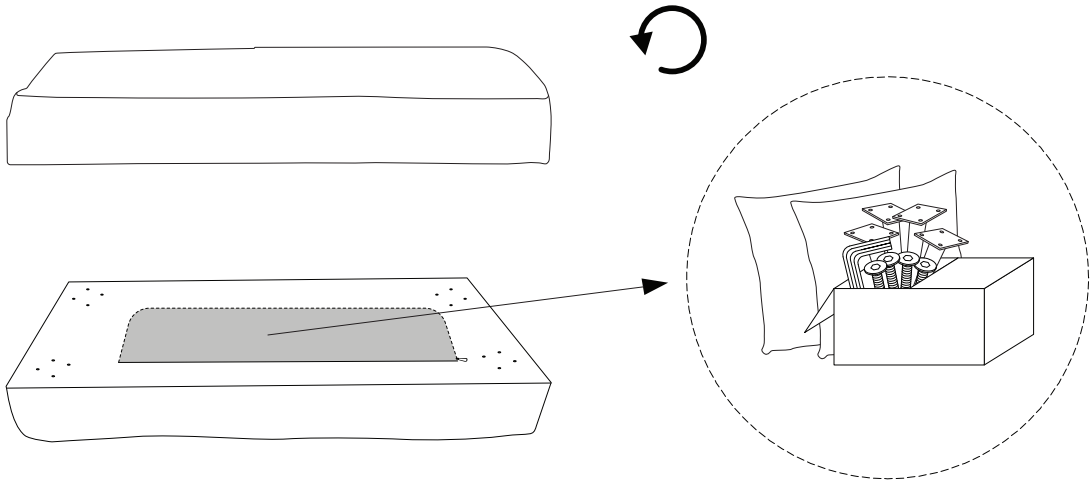
Required Personnel: 2 

A  x 4	B  x 1	C  x 16	D  x 16
---	---	---	--


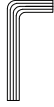
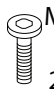

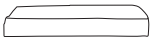


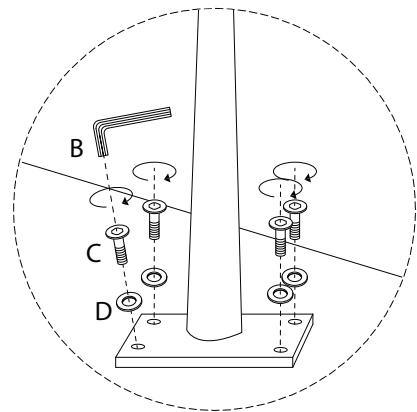
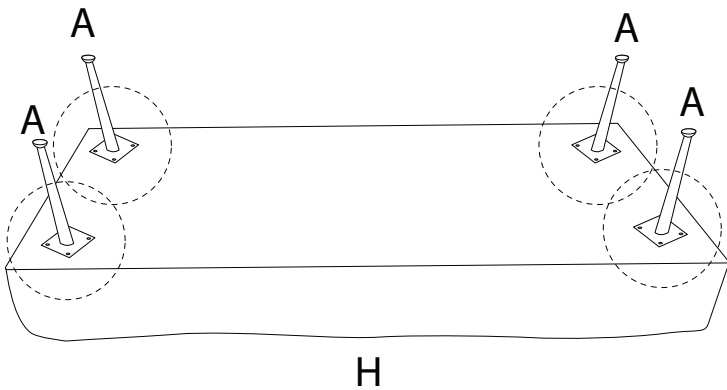
E  x 1	F  x 1	G  x 2	H  x 1
---	---	--	---

!

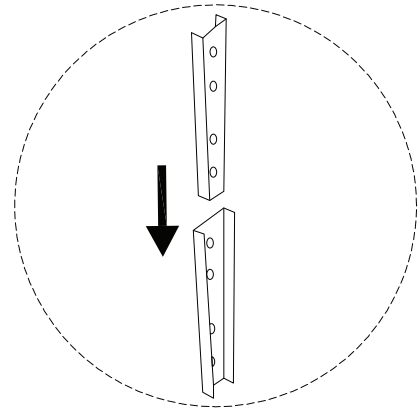
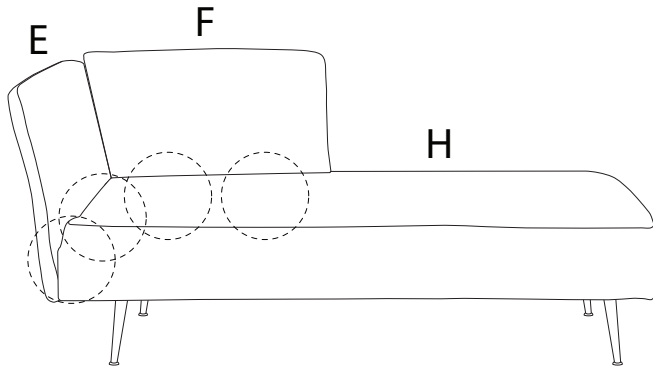
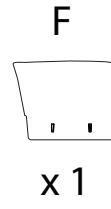


1

A  x 4	B  x 1	C  M6 x 20 x 16	D  x 16	H  x 1
--	--	---	---	--



2



3

