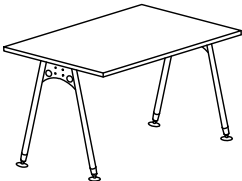
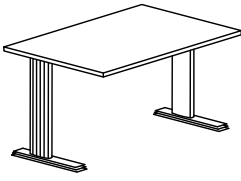
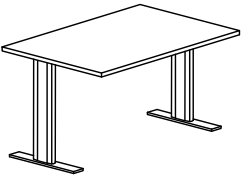







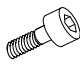

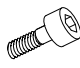

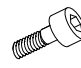
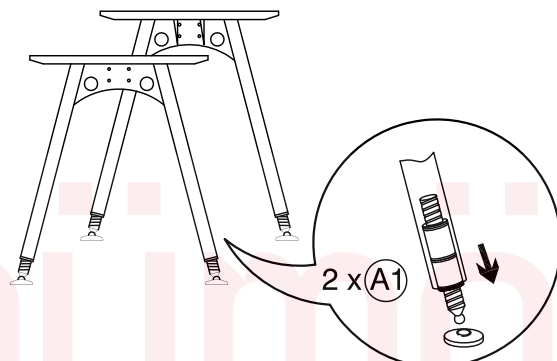


Montageanleitung Schreibtischserie : A- , L- , T-

Assembly instruction desk range : A... / L... / T...

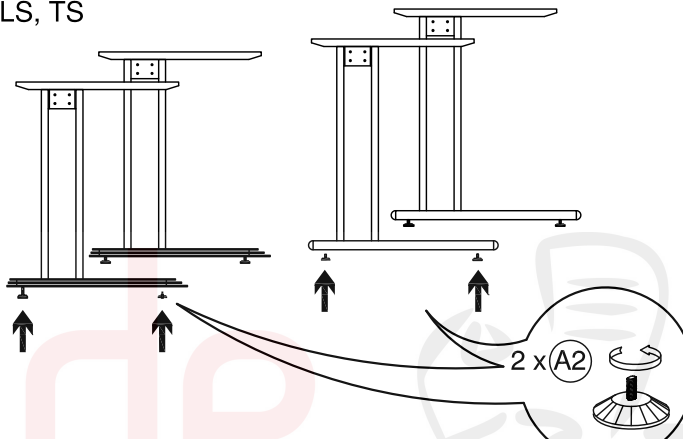
AS.... 		LS.... 		TS.... 	
4 x (A1)  500552 40x15	8 x (B)  500254 6,3 x 19	4 x (A2)  500552 47mm/ M8x 25	8 x (B)  500254 6,3 x 19	4 x (A2)  500552 47mm/ M8x 25	8 x (B)  500254 6,3 x 19
1 x  SW 5	8 x (C)  500180 M6 x 16	1 x  SW 5	8 x (C)  500180 M6 x 16	1 x  SW 5	8 x (C)  500180 M6 x 16

1 ...bei: AS
...at: AS



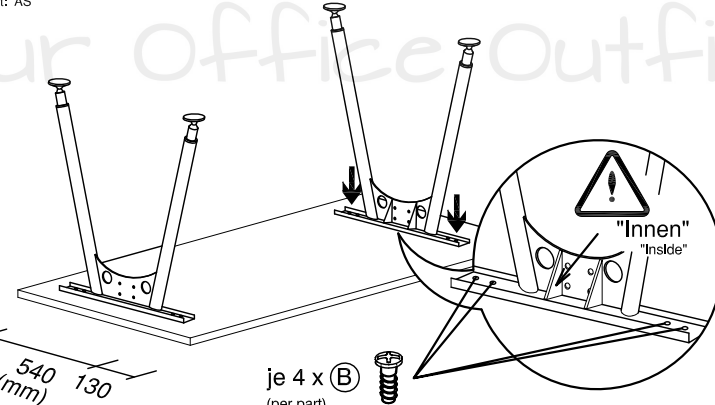
2 x (A1)

...bei: LS, TS
...at: LS, TS



2 x (A2)

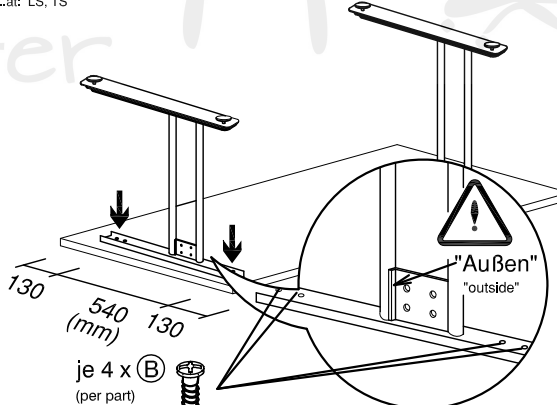
2 ...bei: AS
...at: AS



je 4 x (B)
(per part)

"Innen"
"Inside"

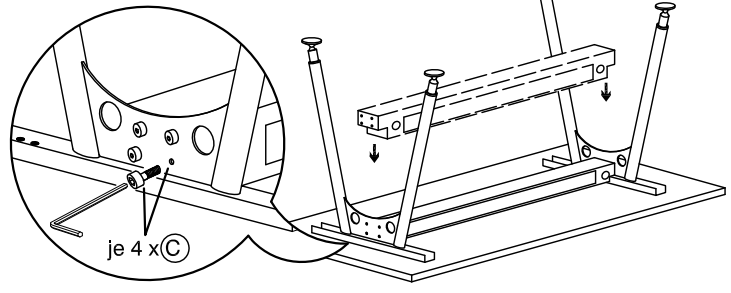
...bei: LS, TS
...at: LS, TS



je 4 x (B)
(per part)

"Außen"
"outside"

3 ...bei: AS, LS, TS
...at: AS, LS, TS



je 4 x (C)

4 ...bei: LS, TS
...at: LS, TS

