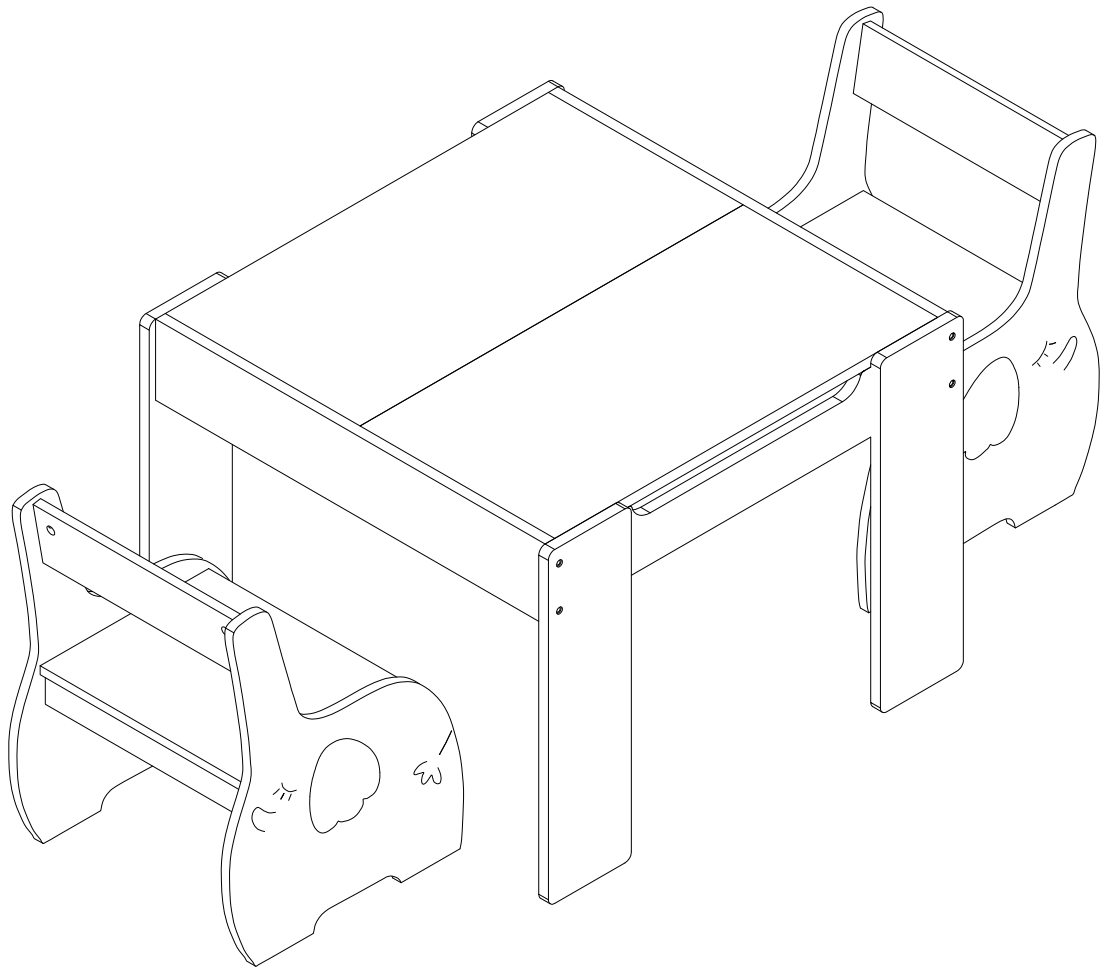
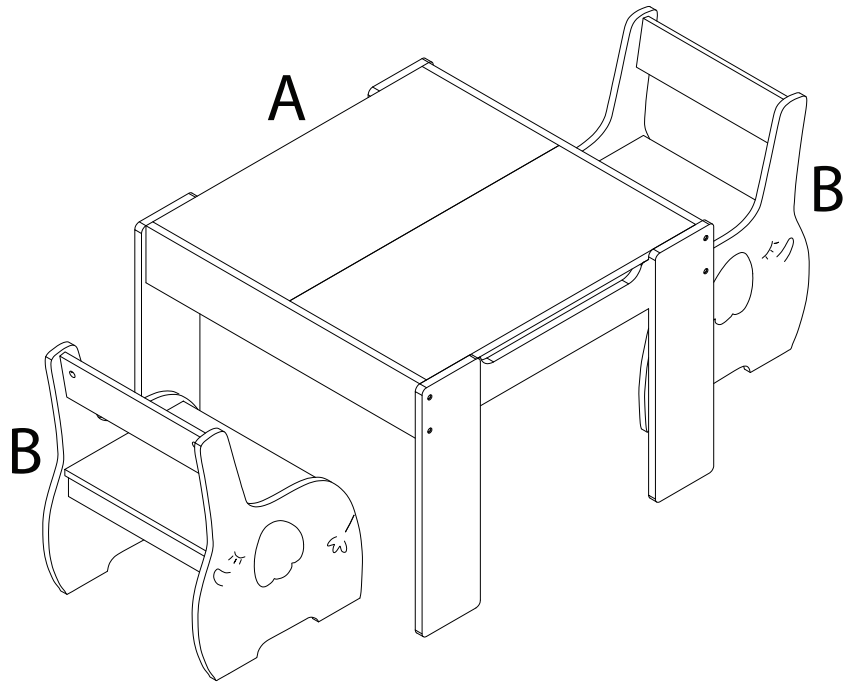
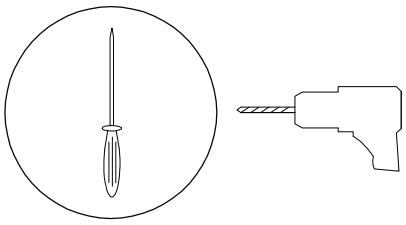

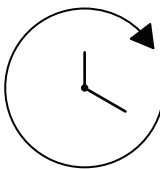
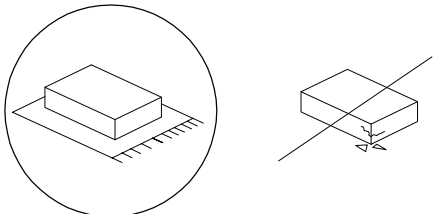

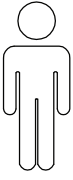


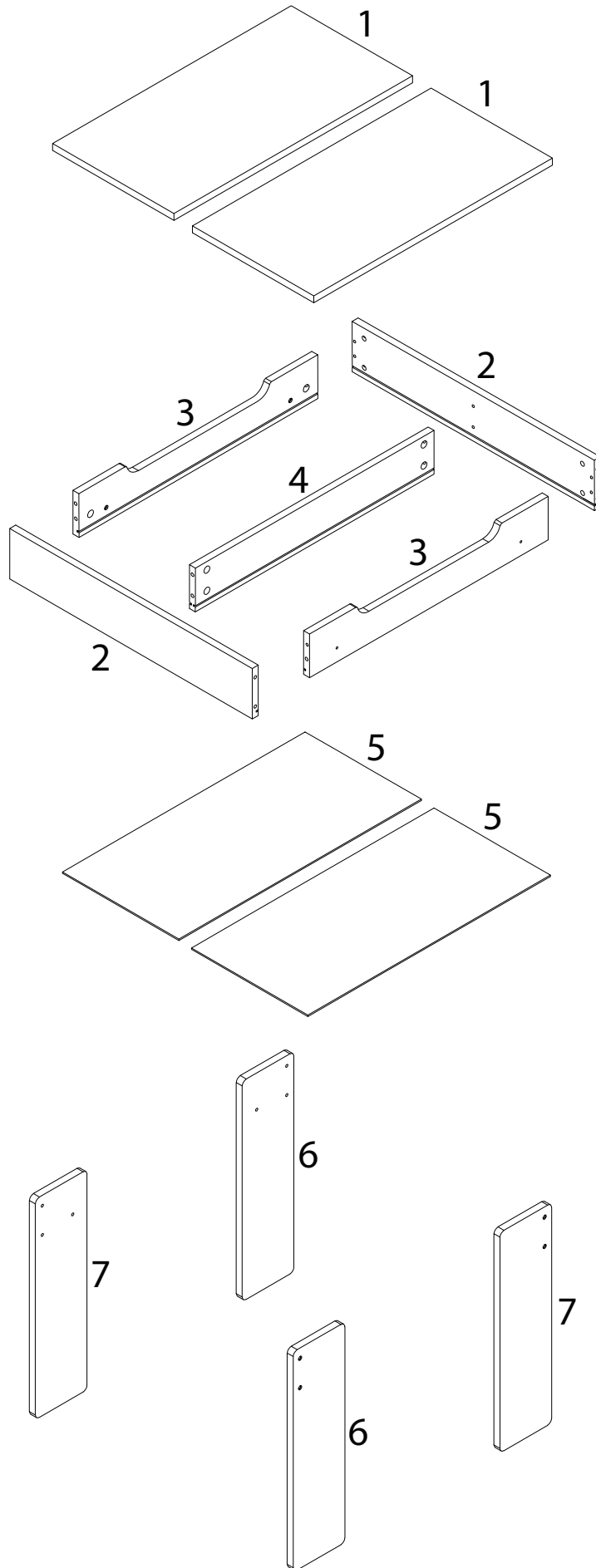
LILOET





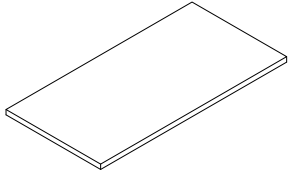
		
		<p>45'</p>
		
		<p>1</p>

A



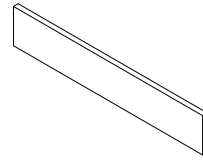
A

1



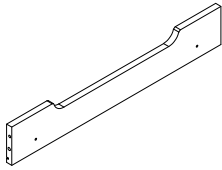
x 2

2



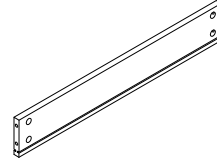
x 2

3



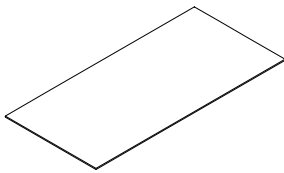
x 2

4



x 1

5



x 2

6



x 2

7



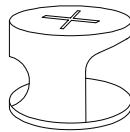
x 2

A



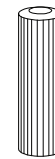
x 8

B



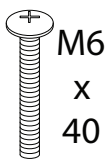
x 8

C



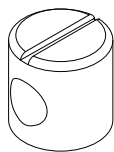
x 4

D



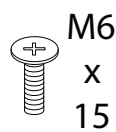
x 8

E



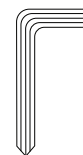
x 8

F



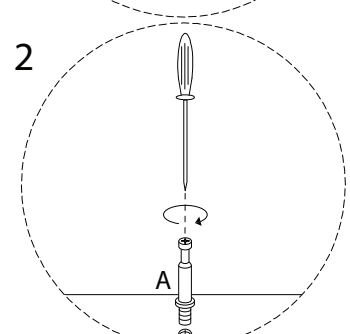
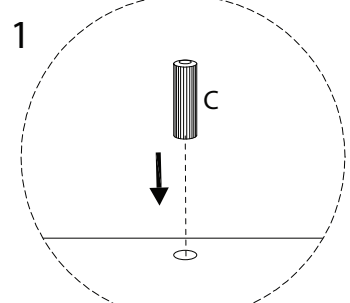
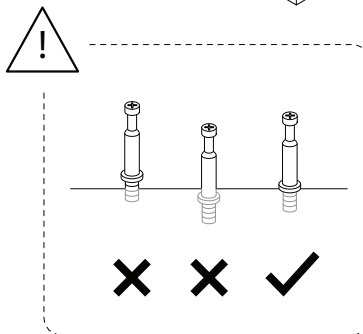
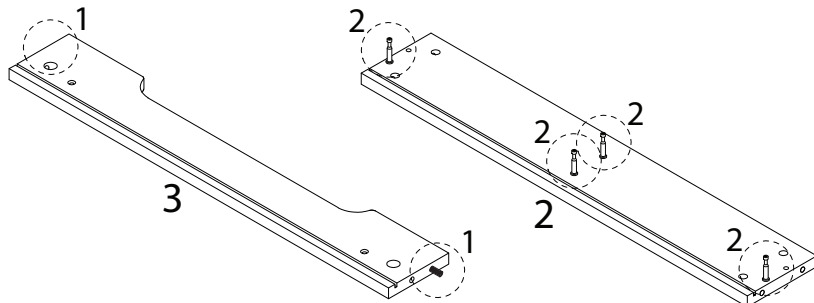
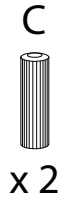
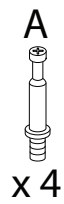
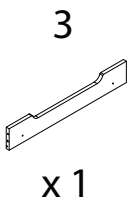
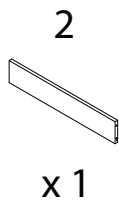
x 4

G

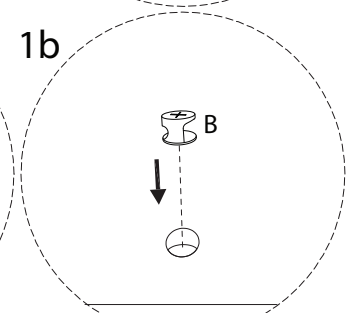
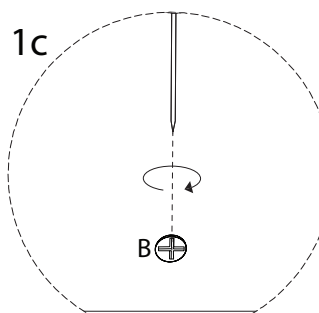
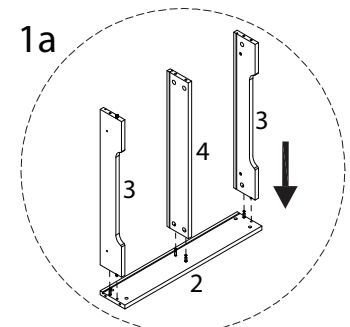
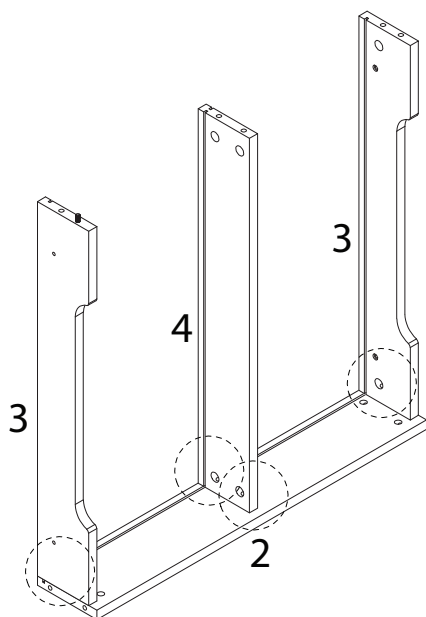
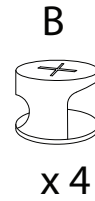
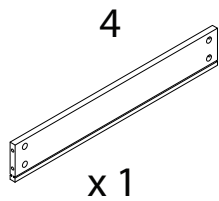


x 1

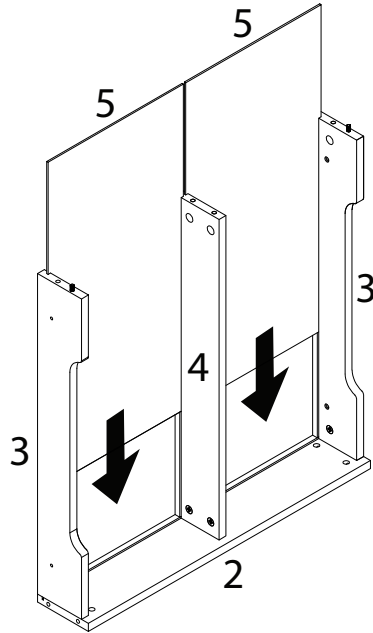
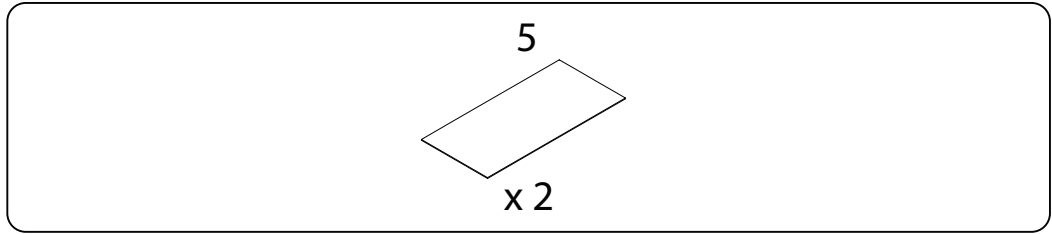
1 x 2



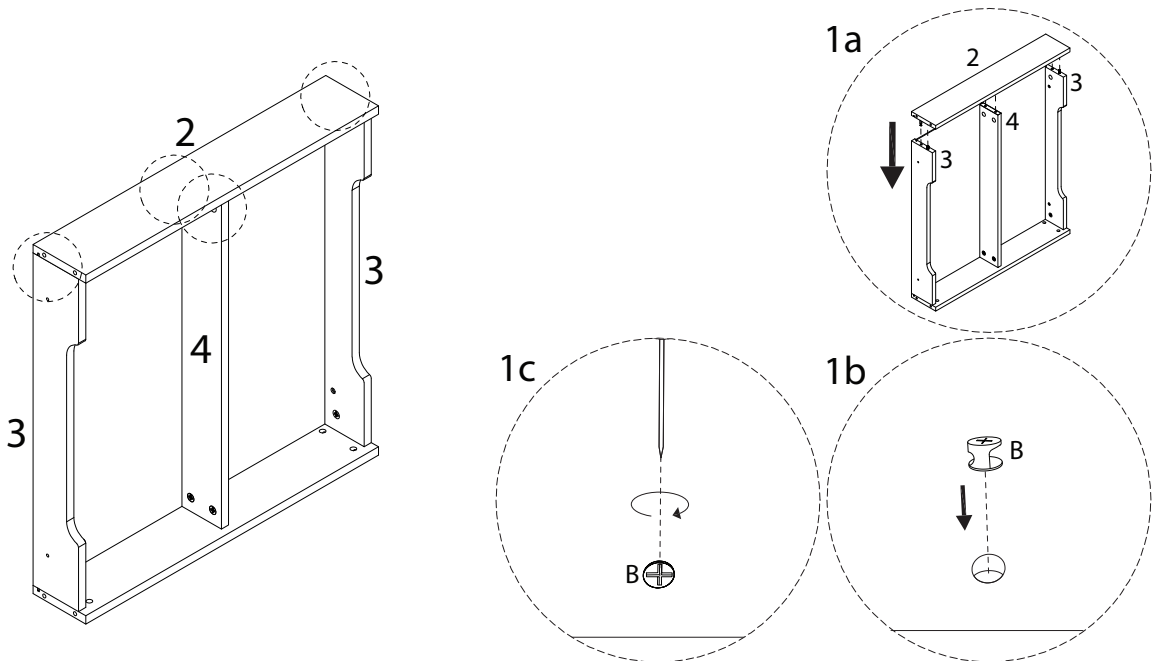
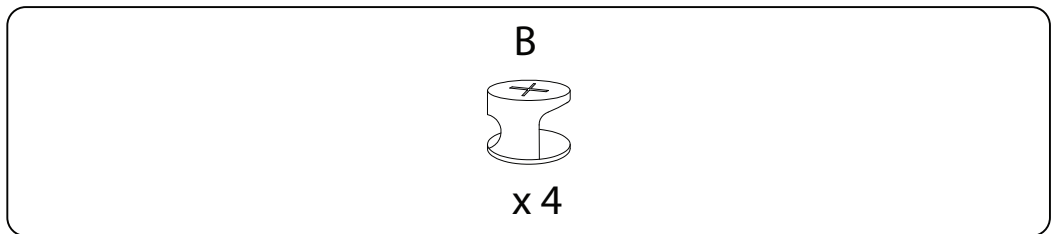
2



3



4



5

6



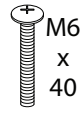
x 2

7



x 2

D

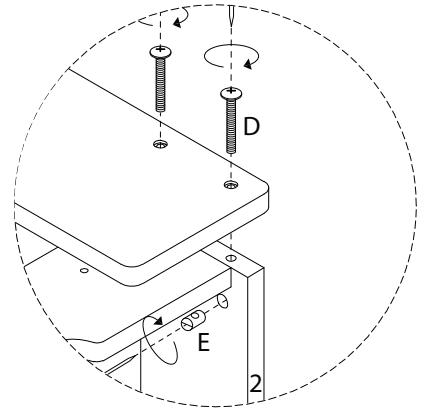
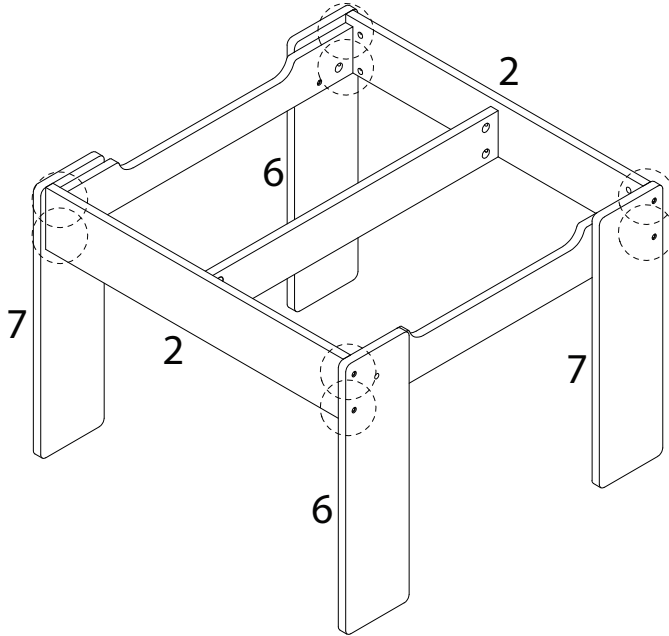


x 8

E



x 8

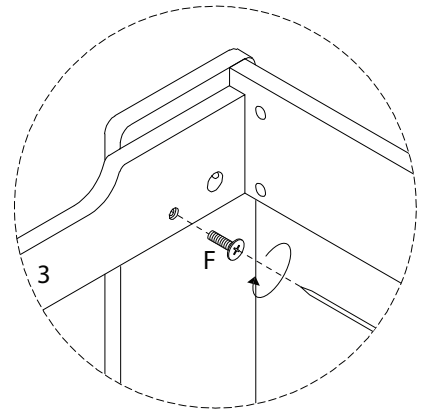
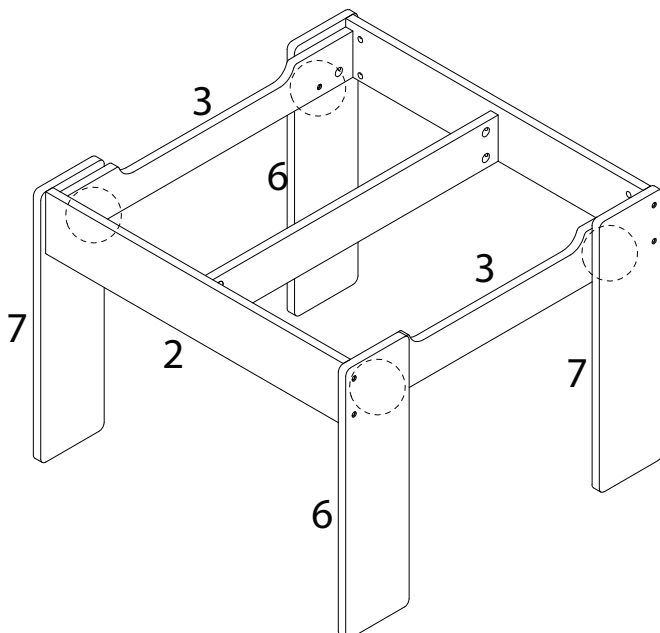


6

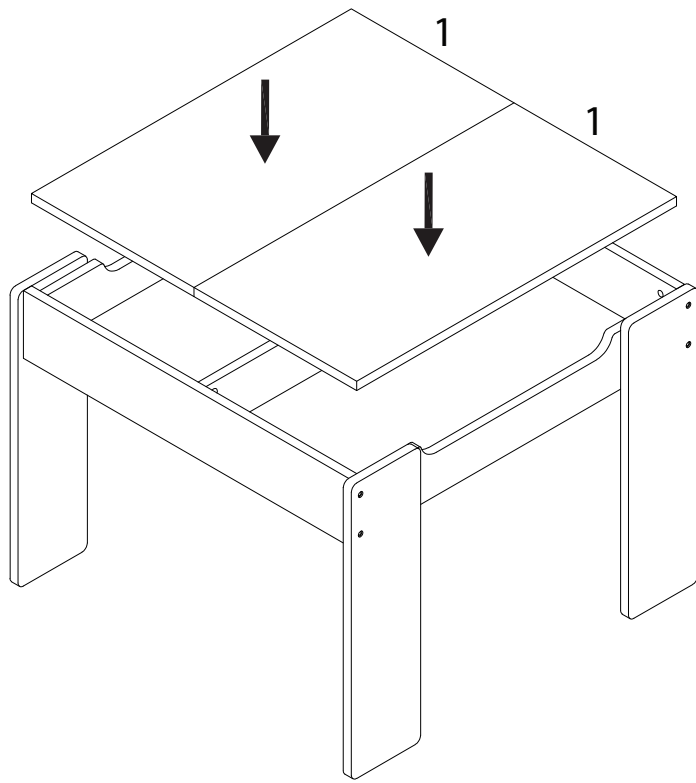
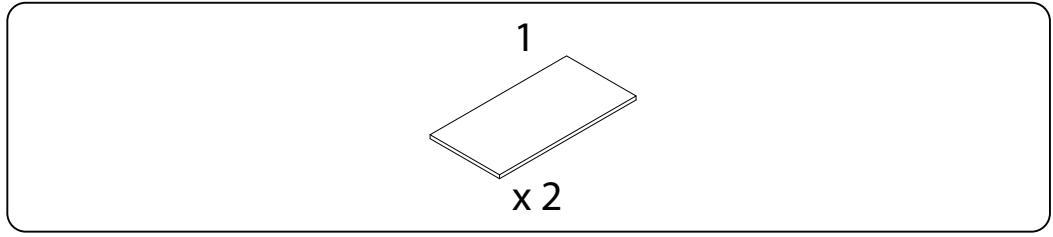
F



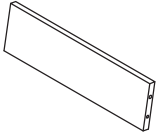
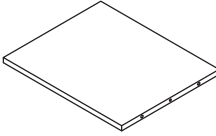
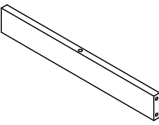
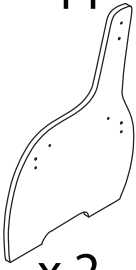

x 4

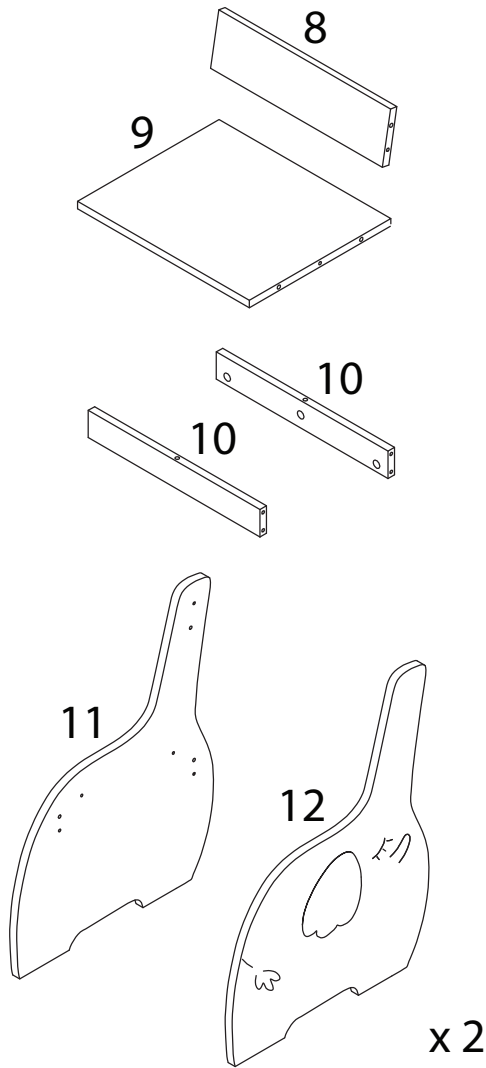



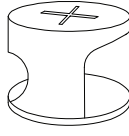
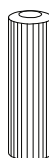
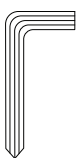
7



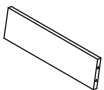
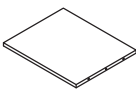
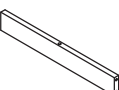


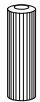
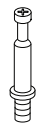
B

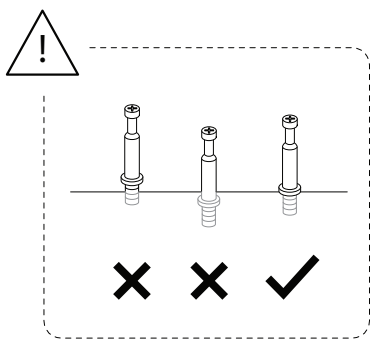
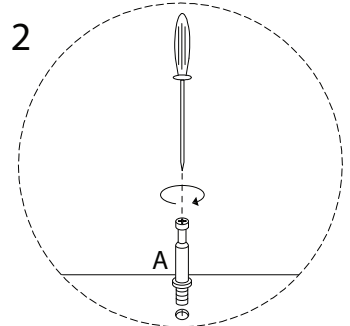
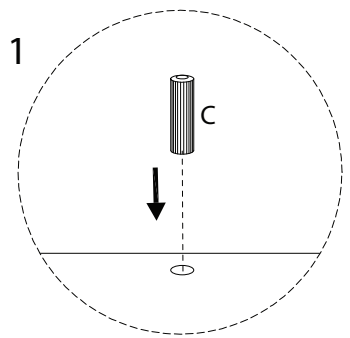
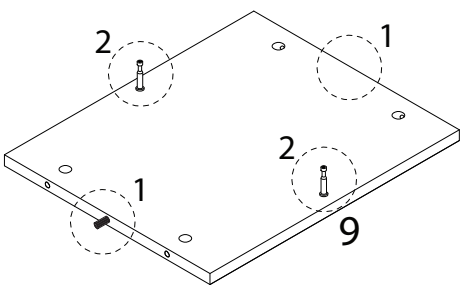
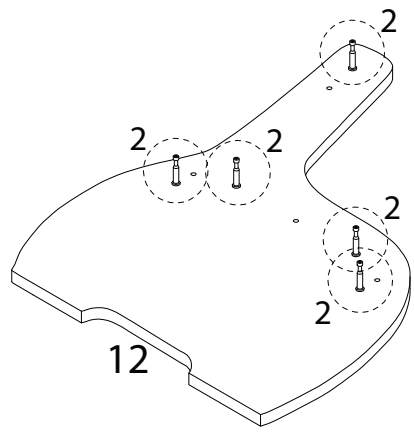
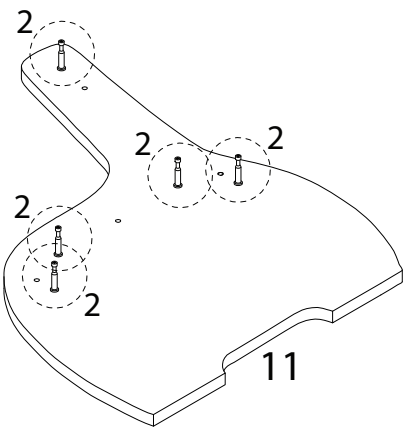
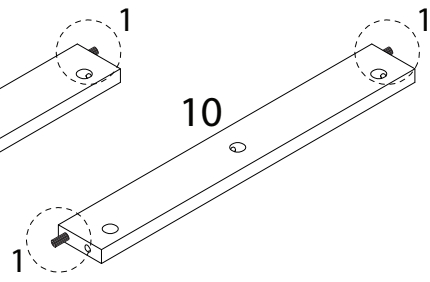
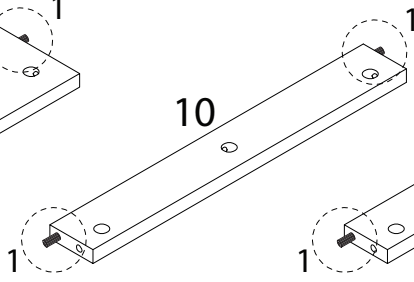
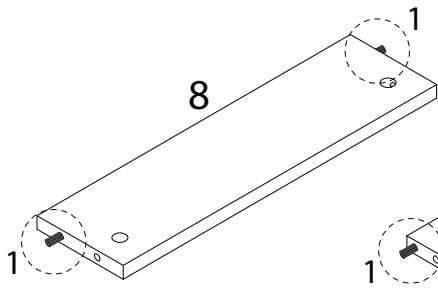
<p>8</p>  <p>x 2</p>	<p>9</p>  <p>x 2</p>	<p>10</p>  <p>x 4</p>	<p>11</p>  <p>x 2</p>	<p>12</p>  <p>x 2</p>
---	---	--	---	--



<p>A</p>  <p>x 24</p>	<p>B</p>  <p>x 24</p>	<p>C</p>  <p>x 16</p>	<p>G</p>  <p>x 1</p>
--	--	--	---

1 x 2

 8 x1	 9 x1	 10 x2	 11 x1	 12 x1	 C x8	 A x12
--	--	---	---	---	--	---

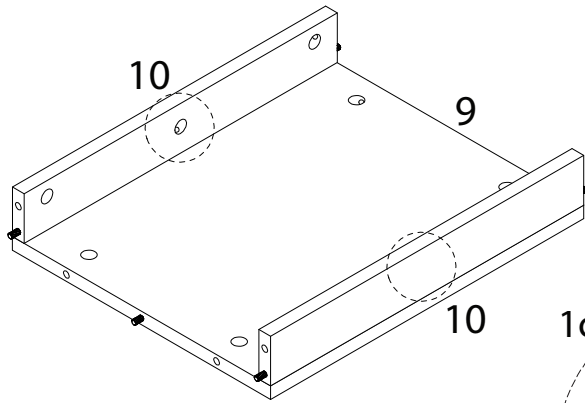


2 x 2

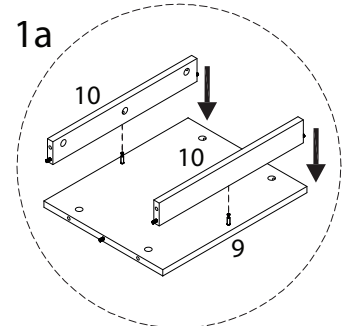
B



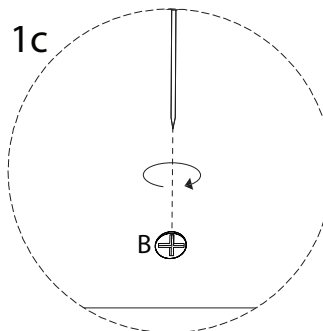
x 2



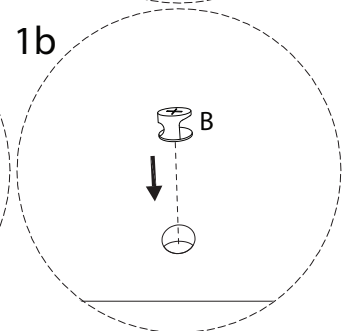
1a



1c



1b

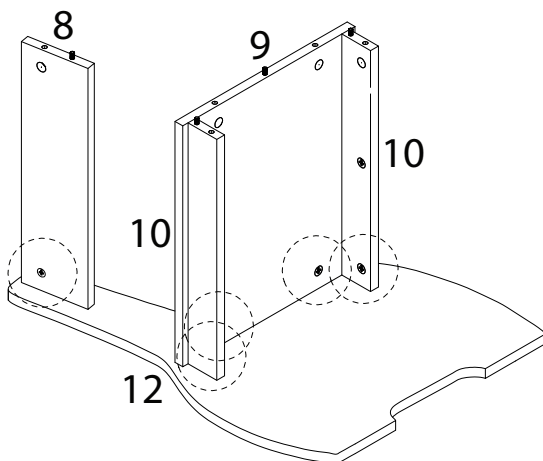


3 x 2

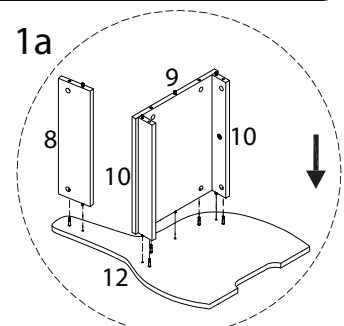
B



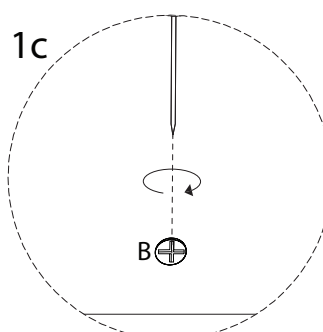
x 5



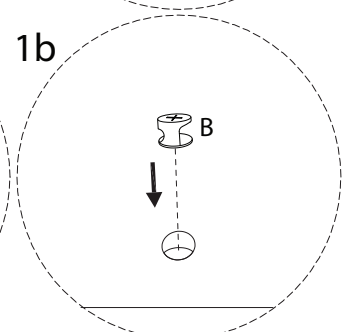
1a



1c



1b



4 x 2

B



x 5

