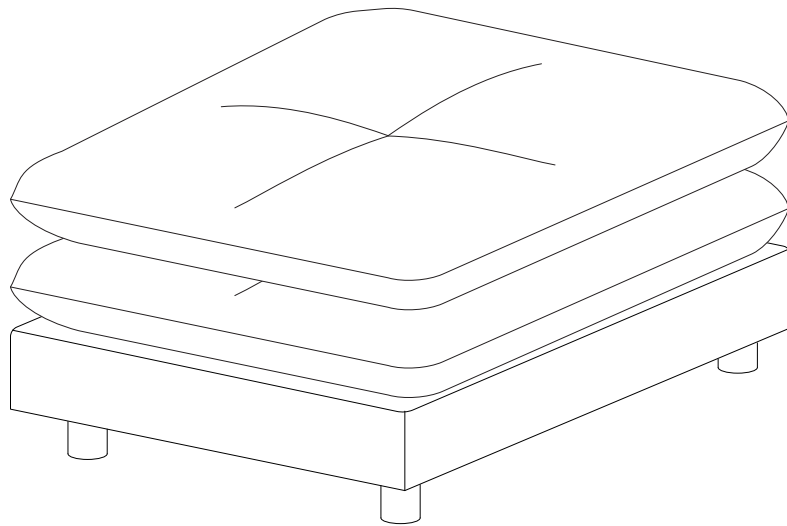
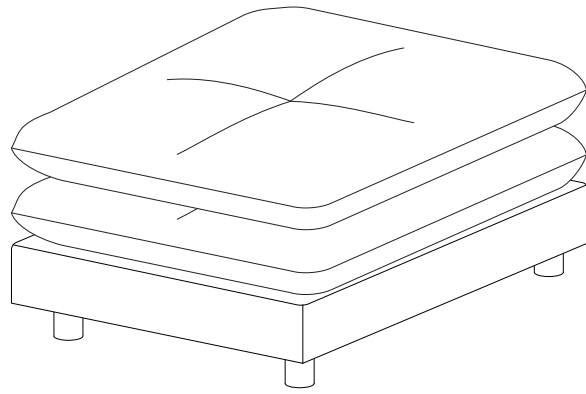
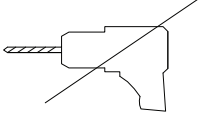

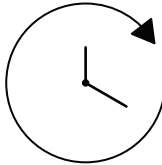
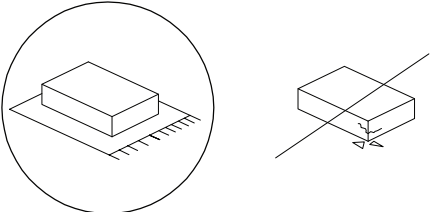

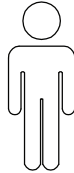
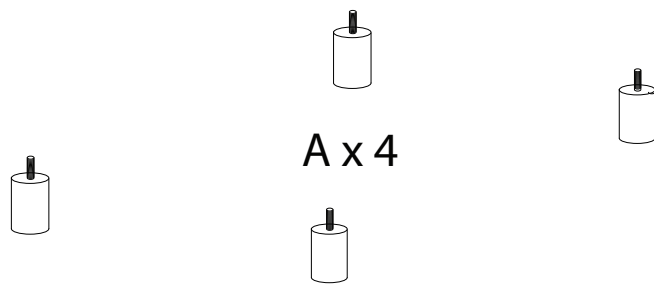
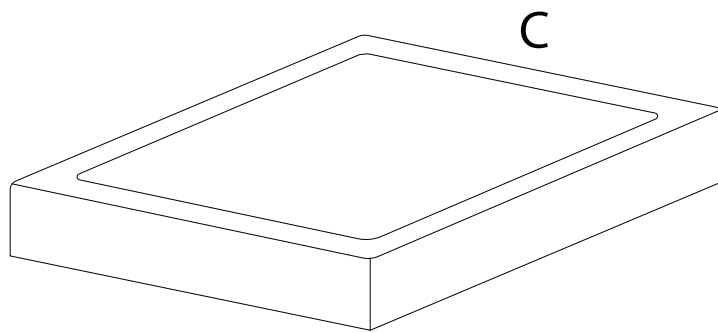
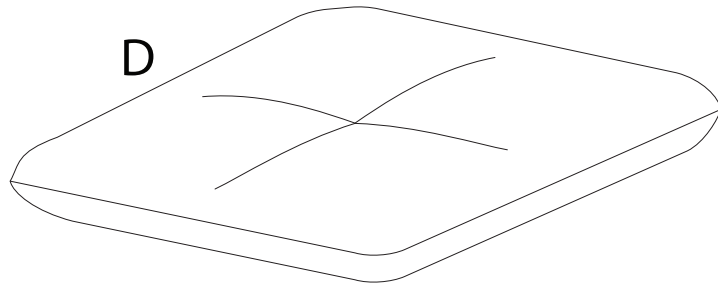
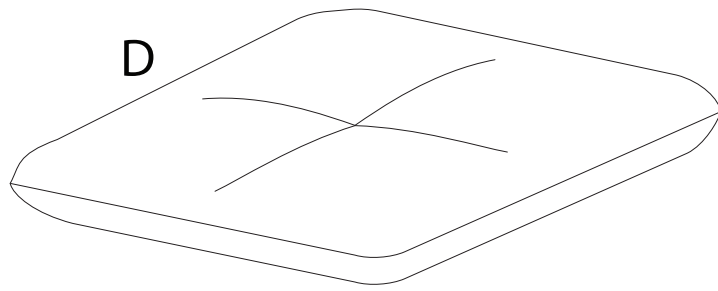


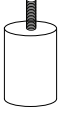

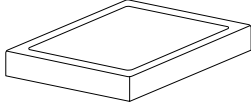

HEDEN



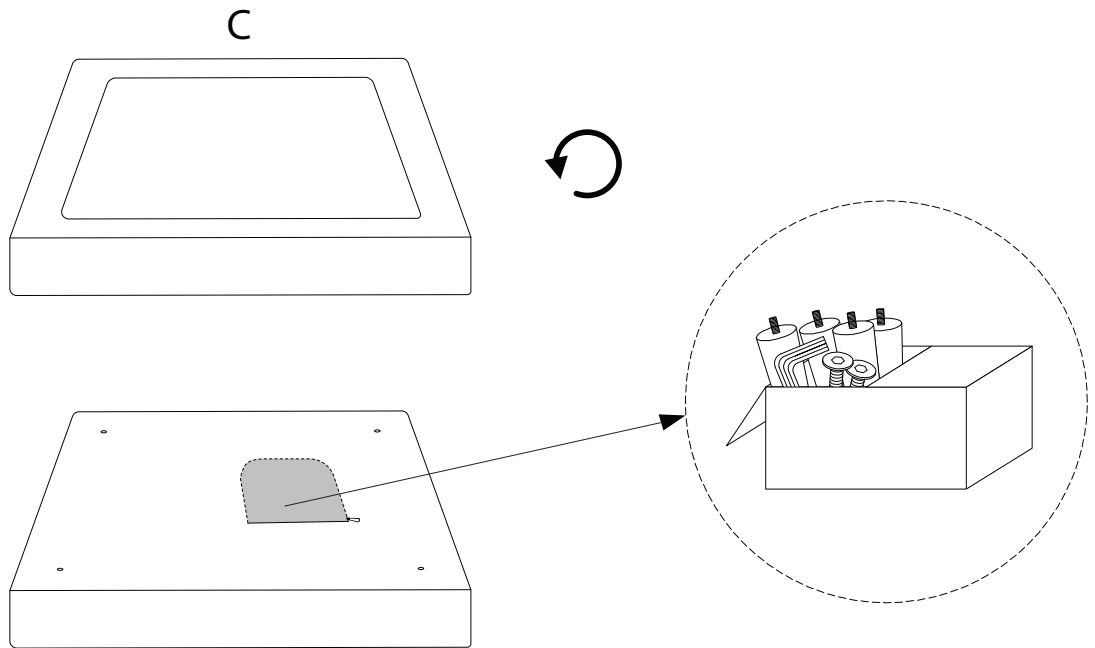


		
		<p>10'</p>
		
		<p>1</p>

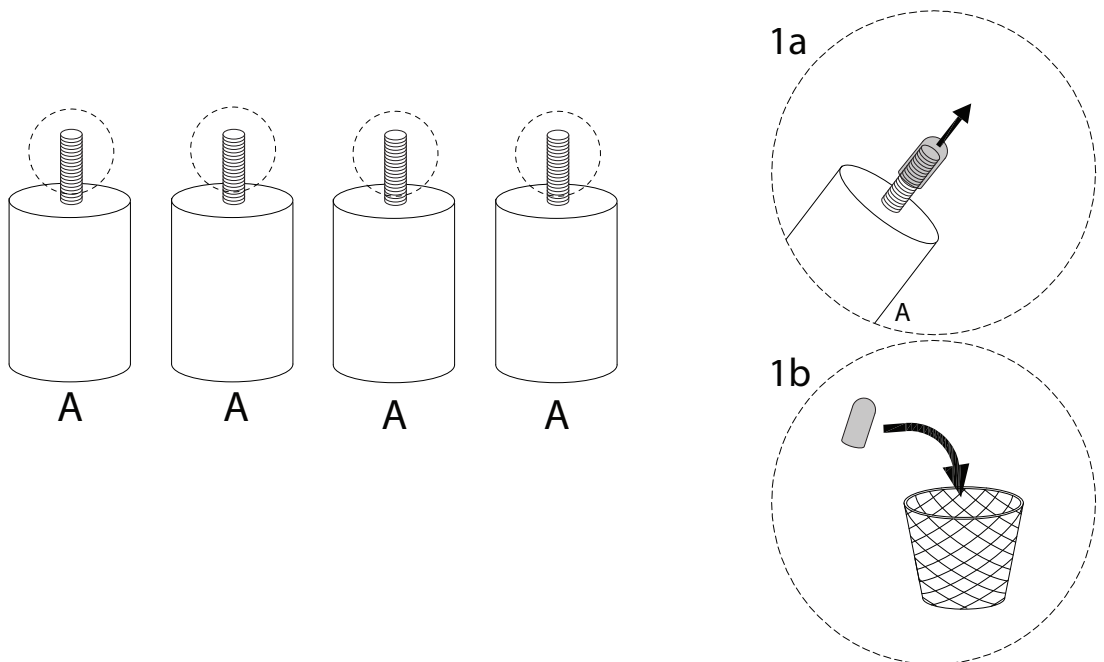


A	B	C	D
			
x 4	x 4	x 1	x 2

!



!



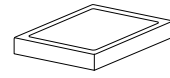
1

A

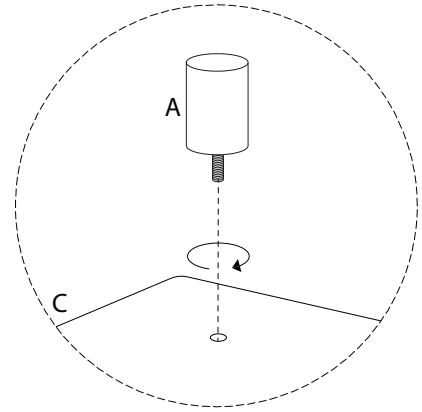
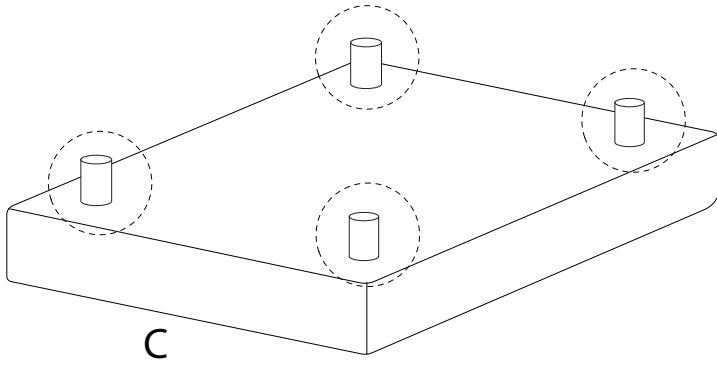


x 4

C



x 1

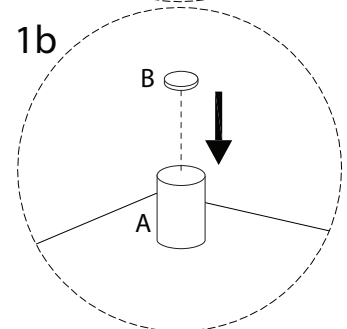
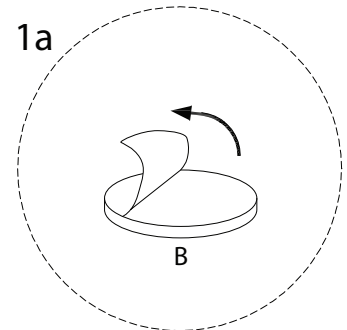
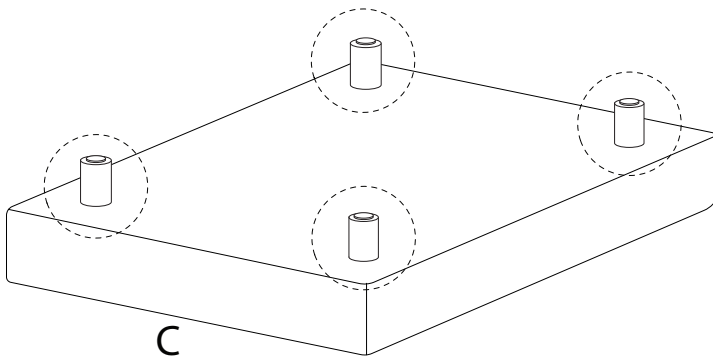


2

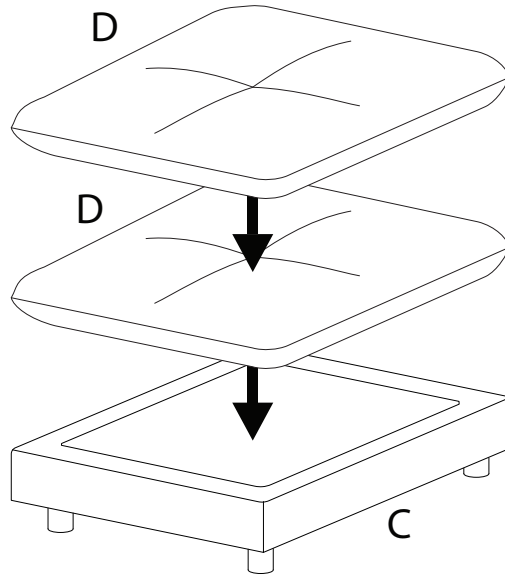
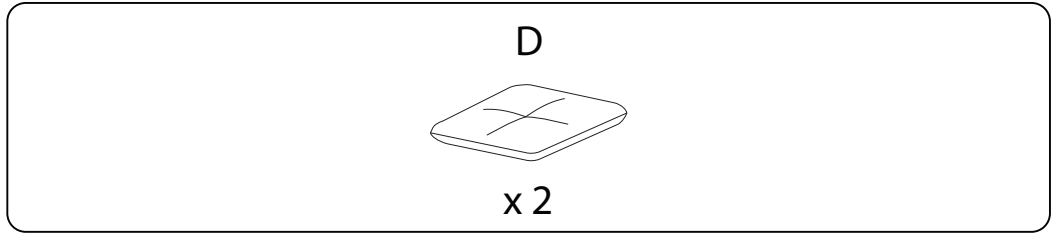
B



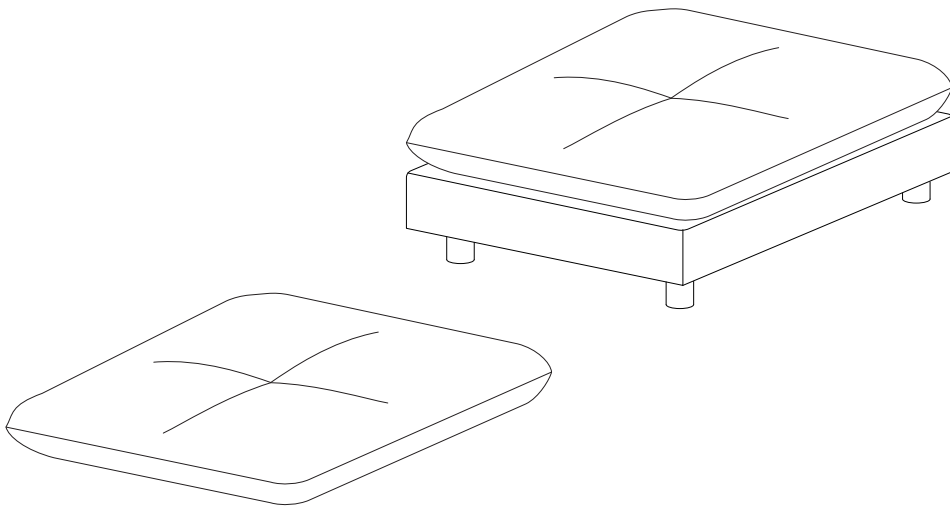
x 4



3



!



!

