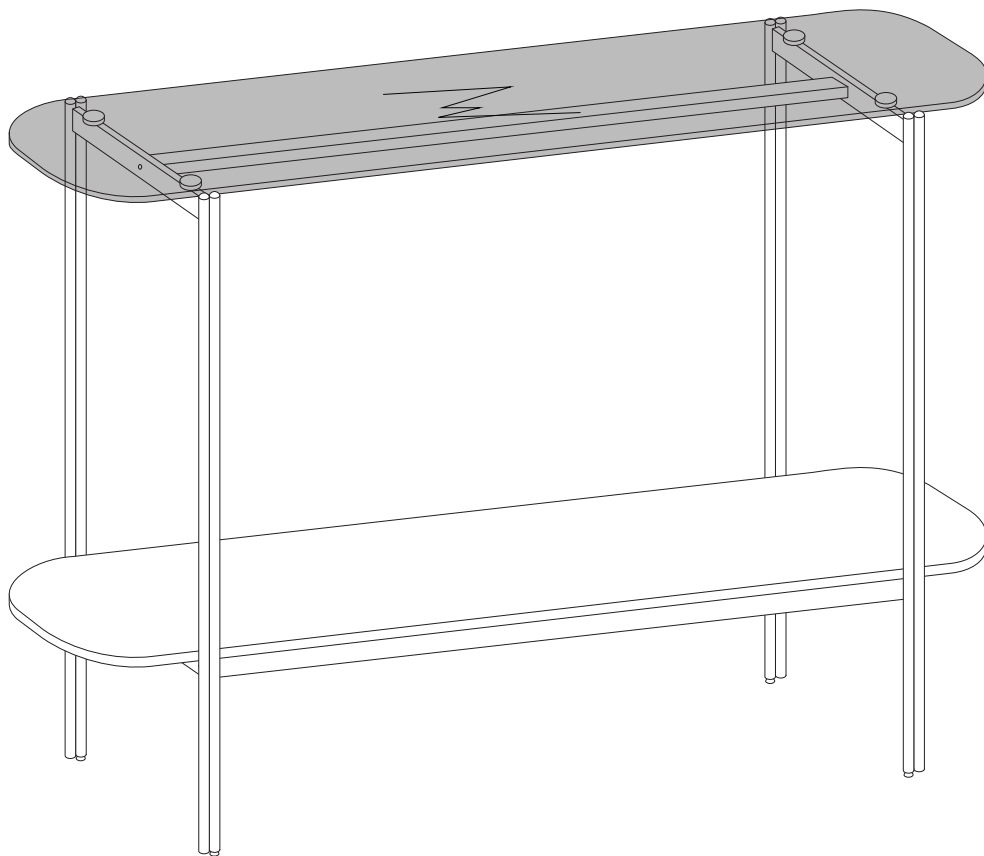
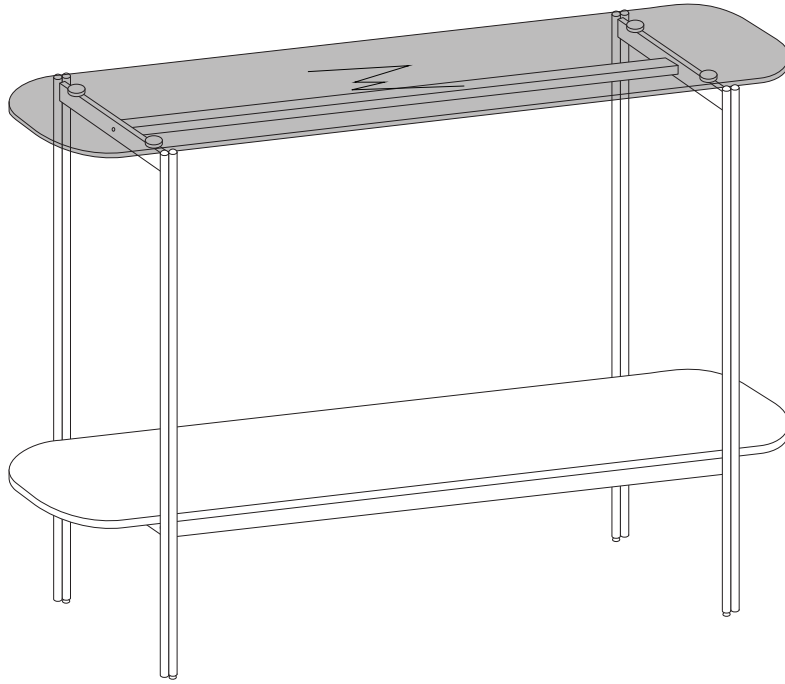
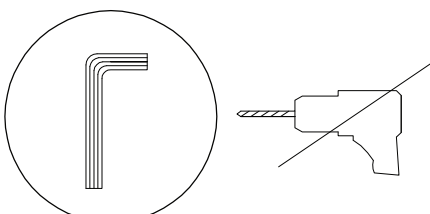

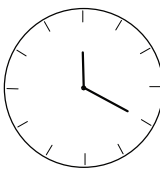
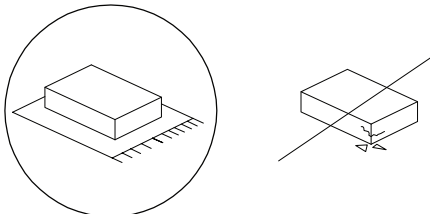

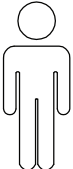


LOVELL

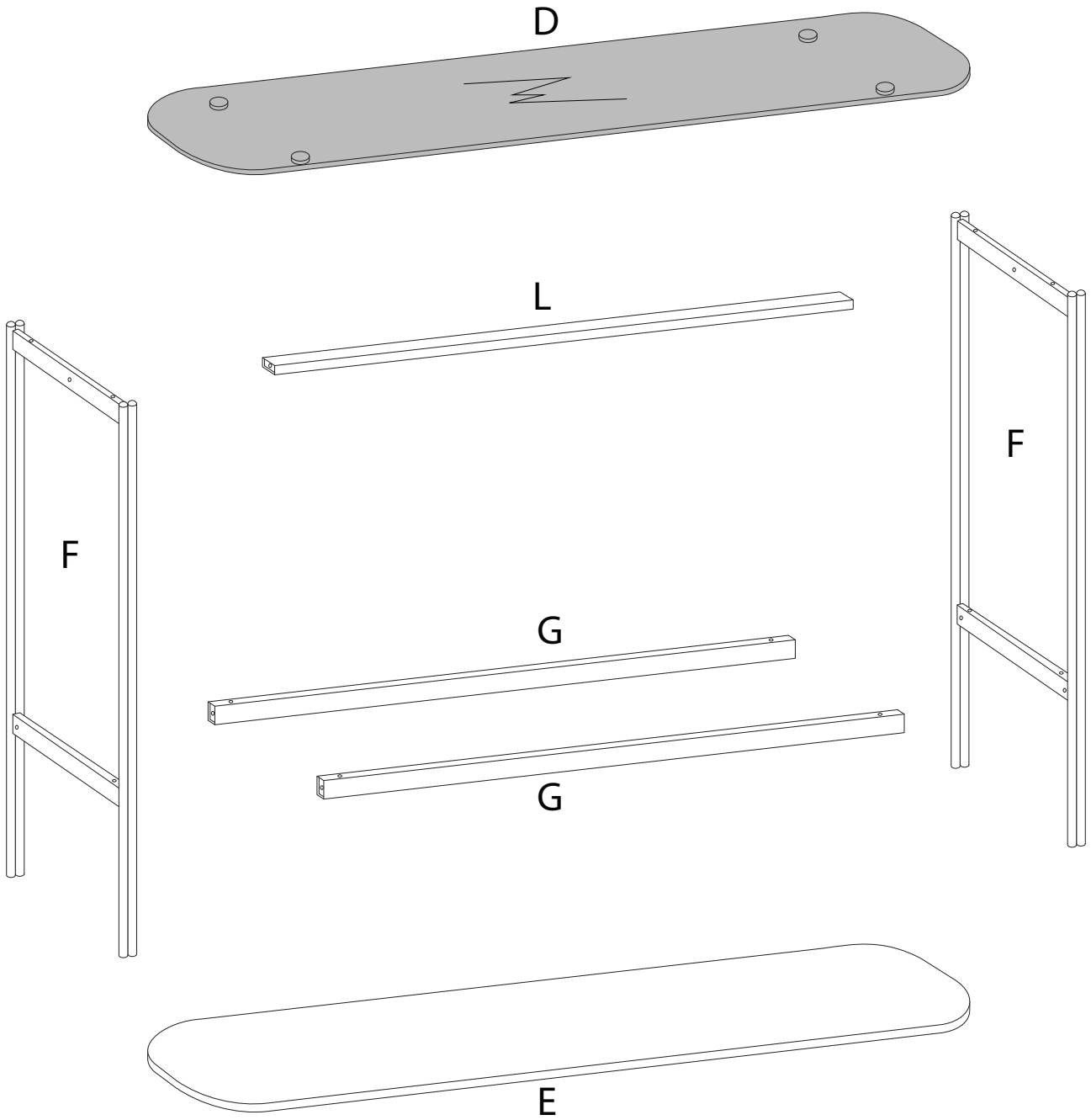


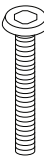
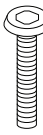
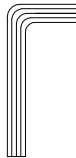


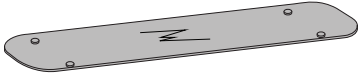
20'

2



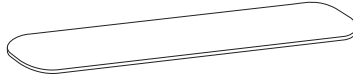
A	B	C
 <p>M6 x 40</p>	 <p>M6 x 30</p>	
x 8	x 6	x 1

D



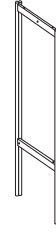
x 1

E



x 1

F



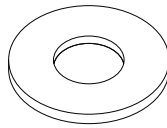
x 2

G



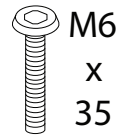
x 2

H



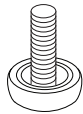
x 6

J



x 4

K



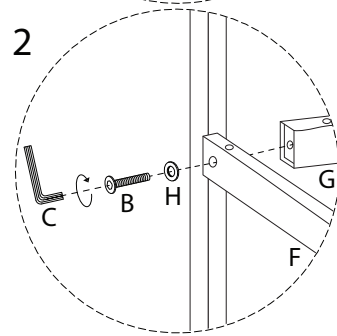
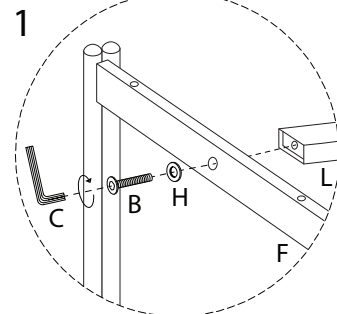
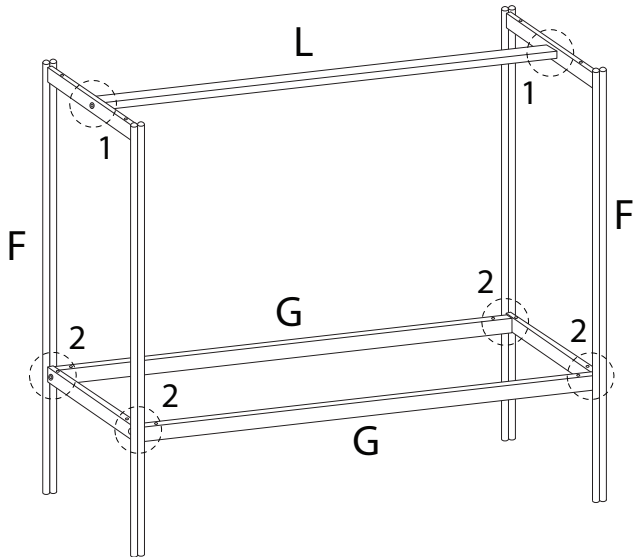
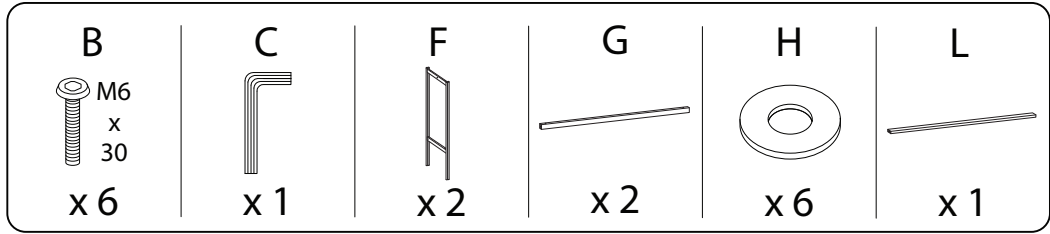
x 4

L

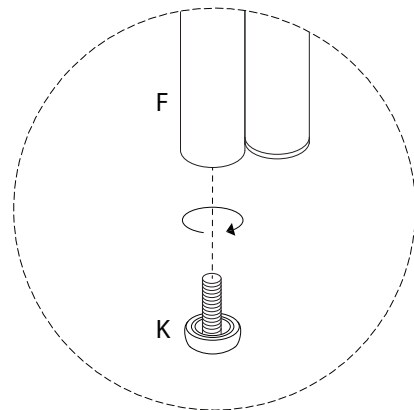
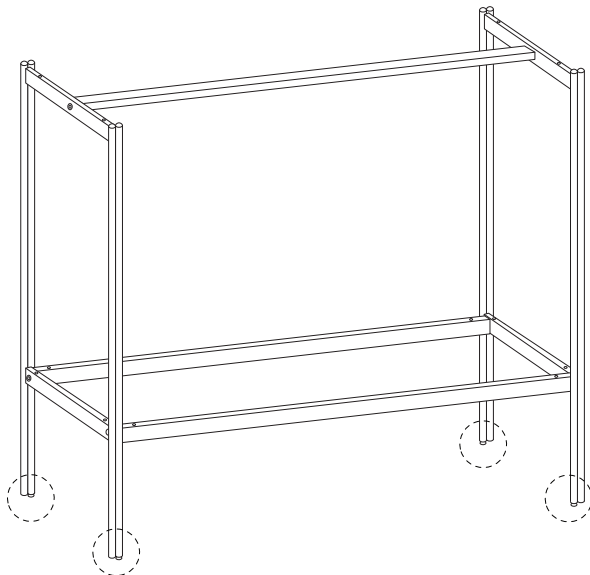
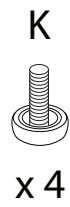


x 1

1



2

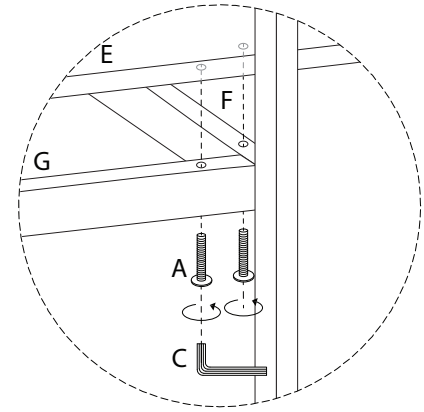
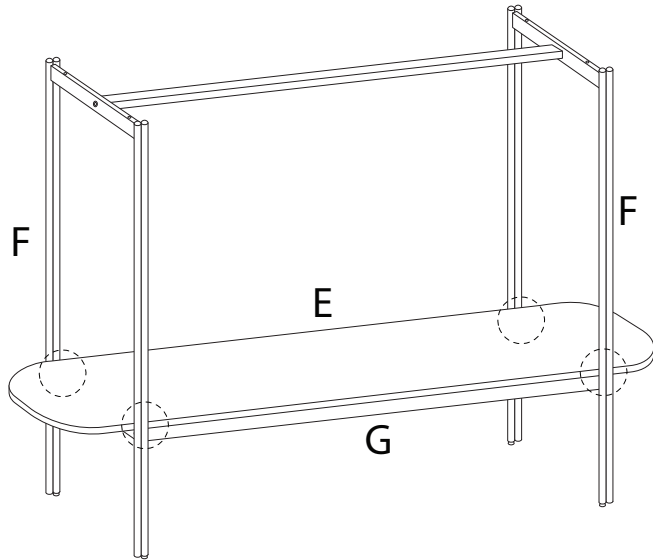


3

A
M6
x
40
x 8

C
x 1

E
x 1



4

C
x 1

D
x 1

J
M6
x
35
x 4

