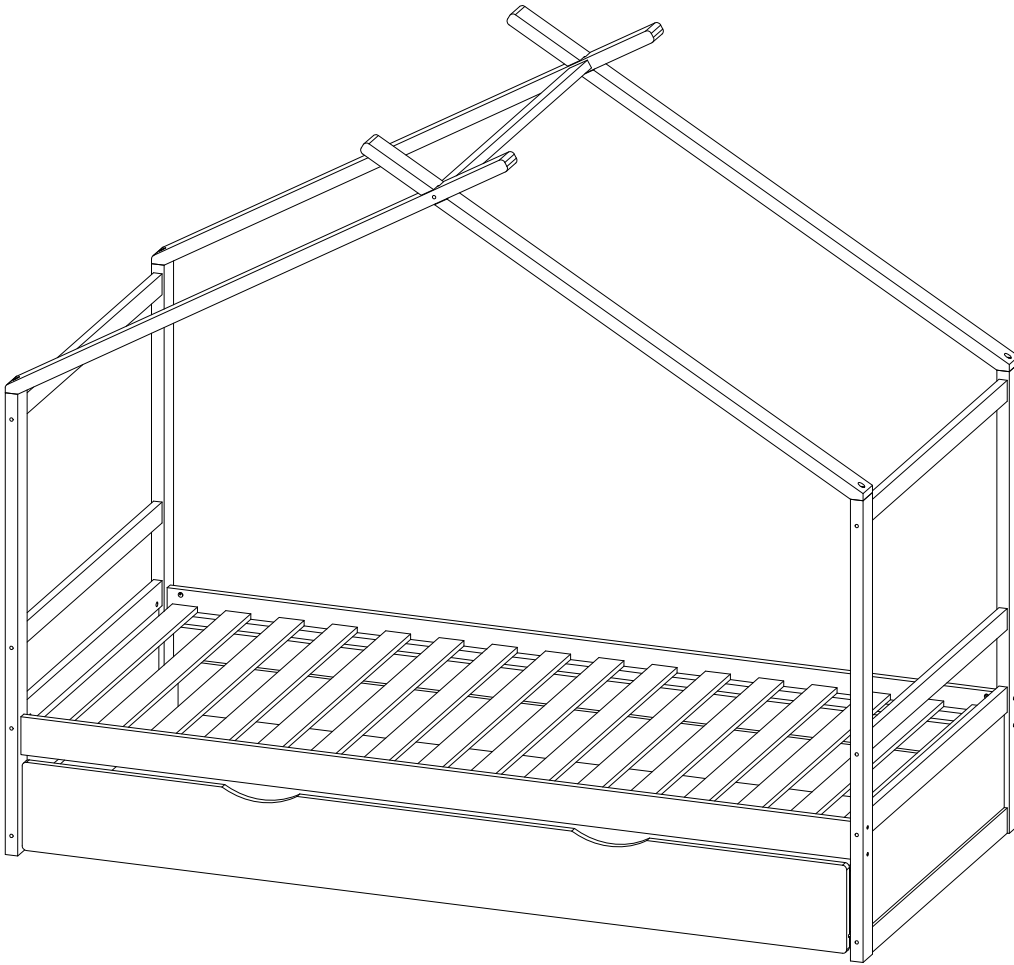
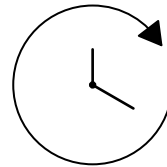
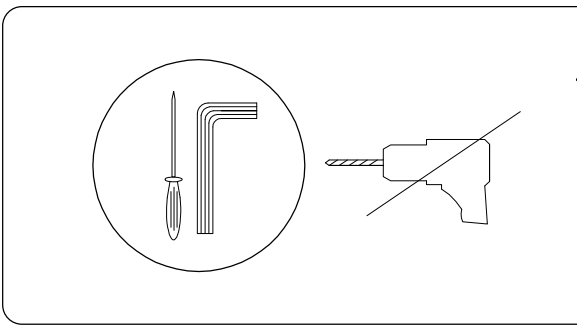
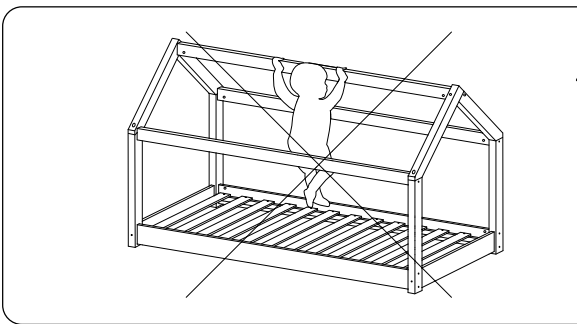
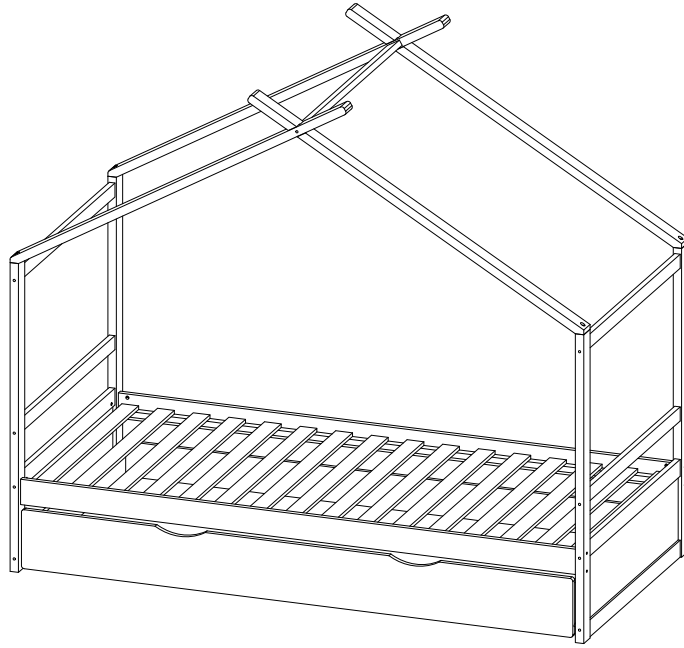
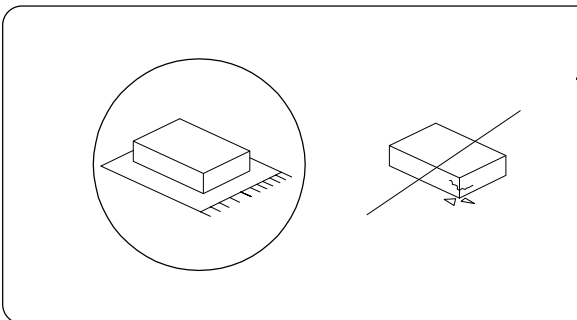


ORGEVAL

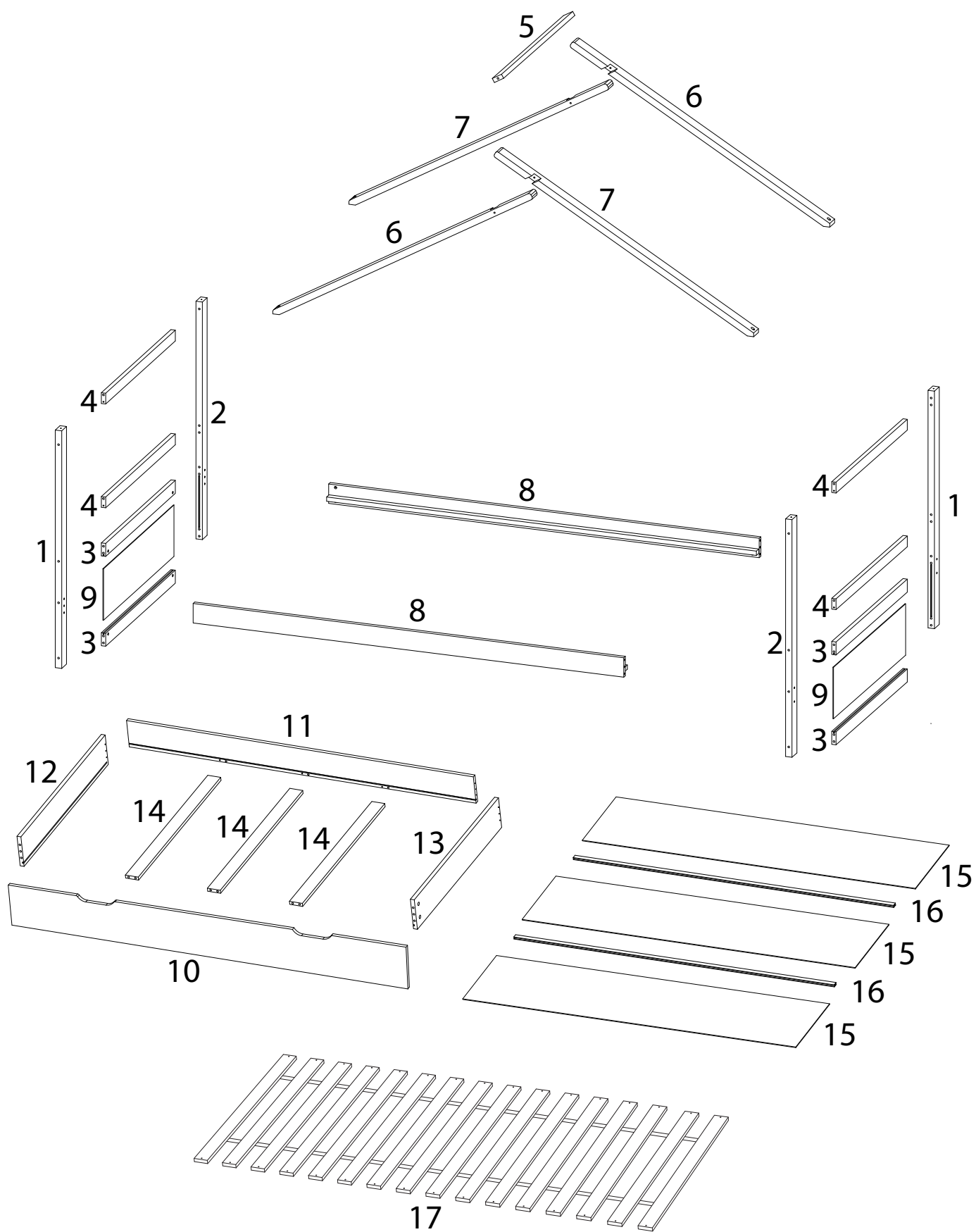




30'



2



1



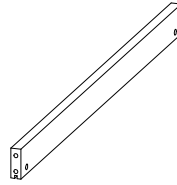
x 2

2



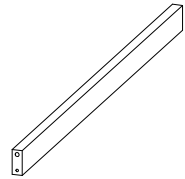
x 2

3



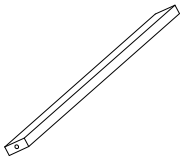
x 4

4



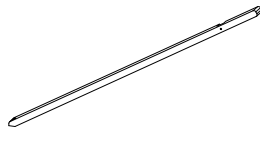
x 4

5



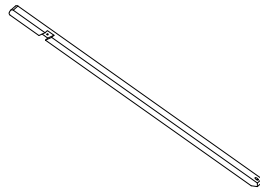
x 1

6



x 2

7



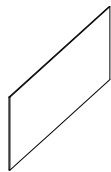
x 2

8



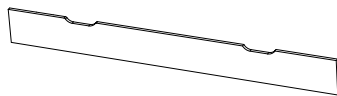
x 2

9



x 2

10



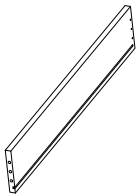
x 1

11



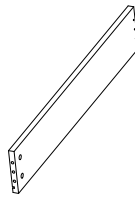
x 1

12



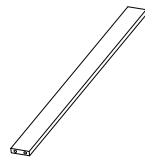
x 1

13



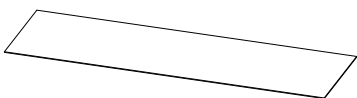
x 1

14



x 3

15



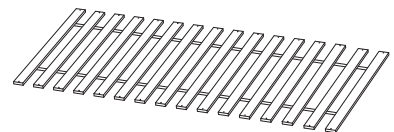
x 3

16

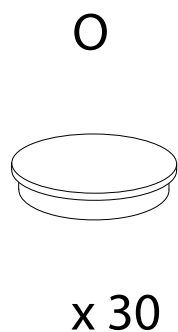
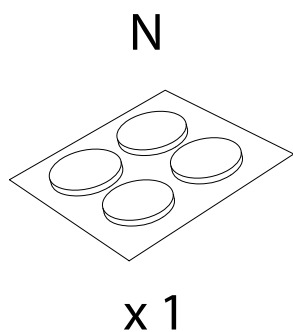
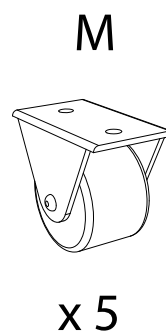
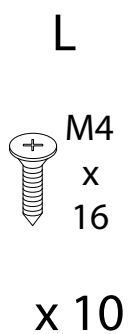
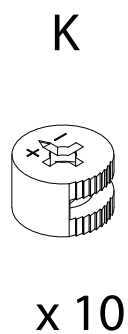
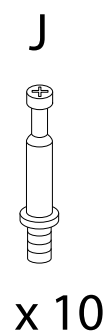
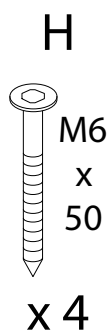
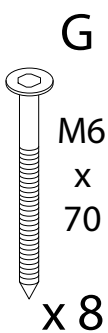
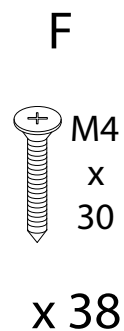
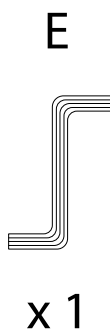
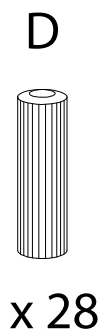
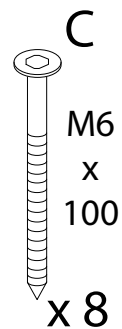
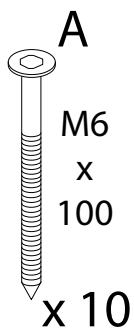


x 2

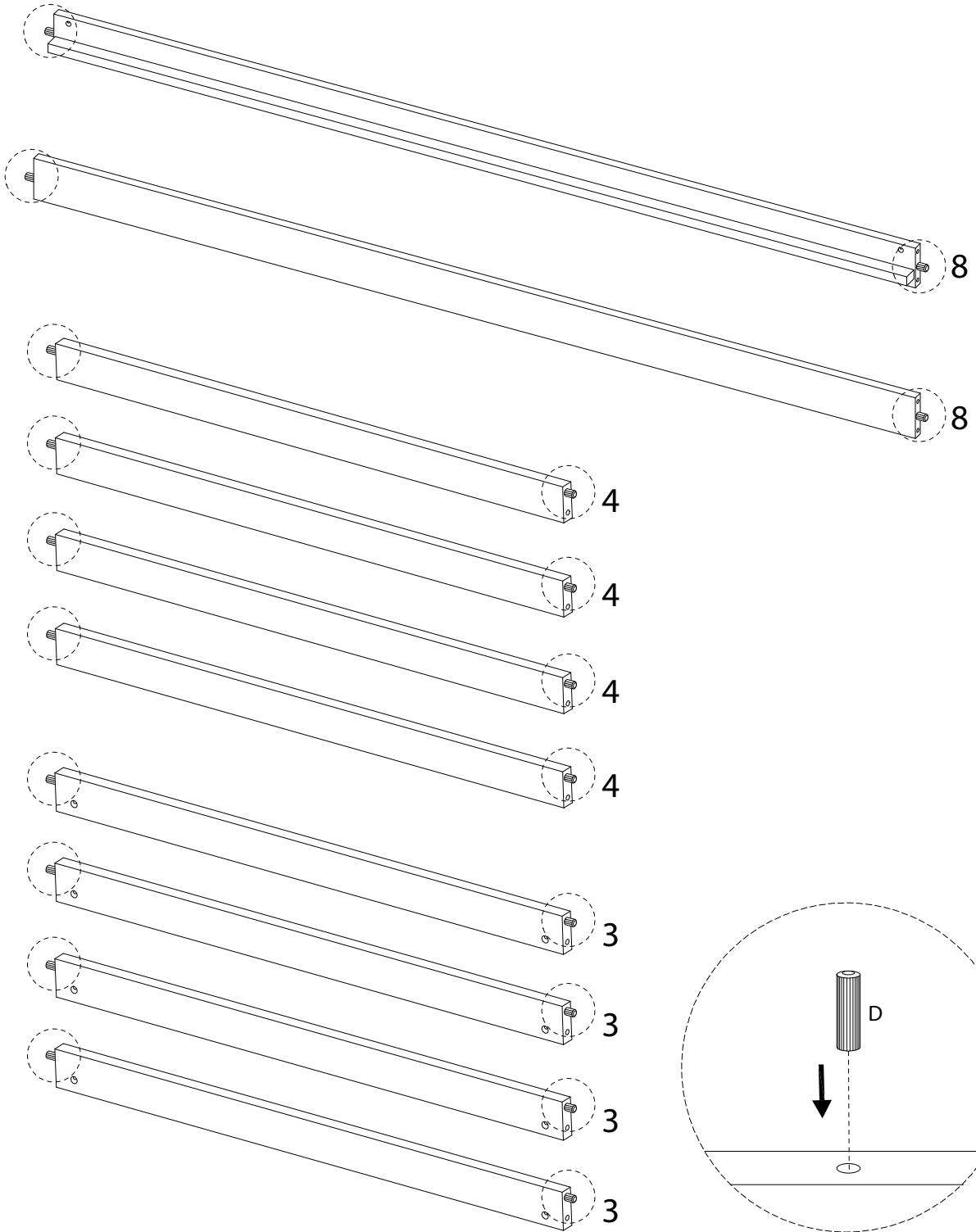
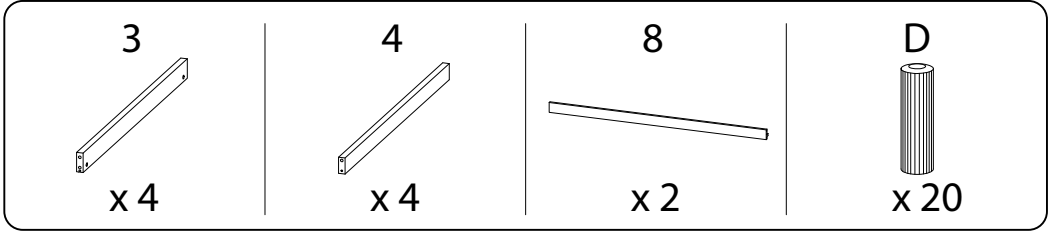
17



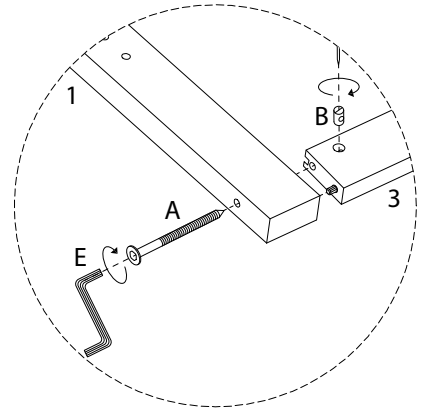
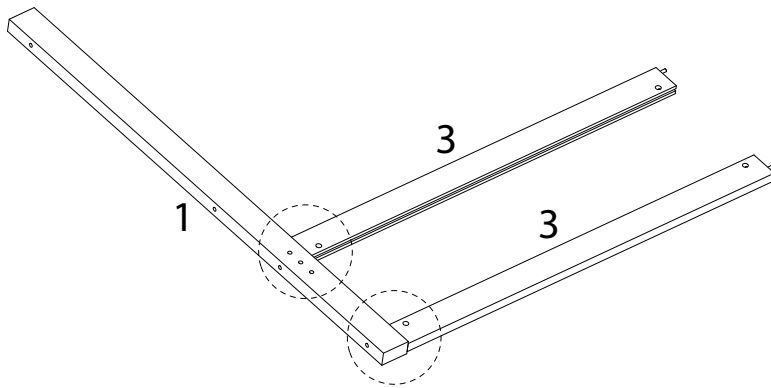
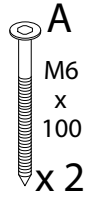
x 1



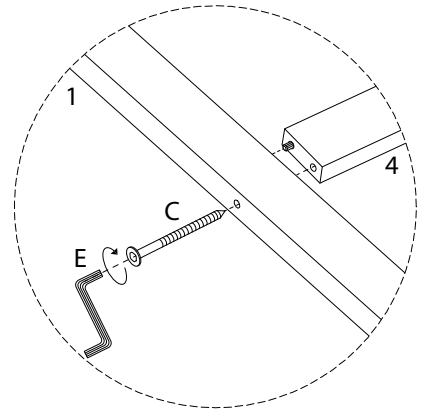
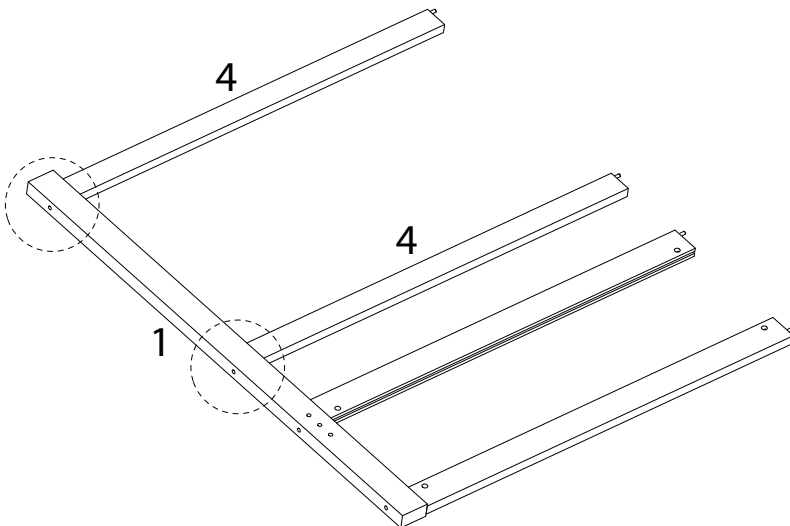
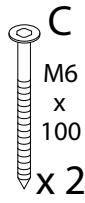
1



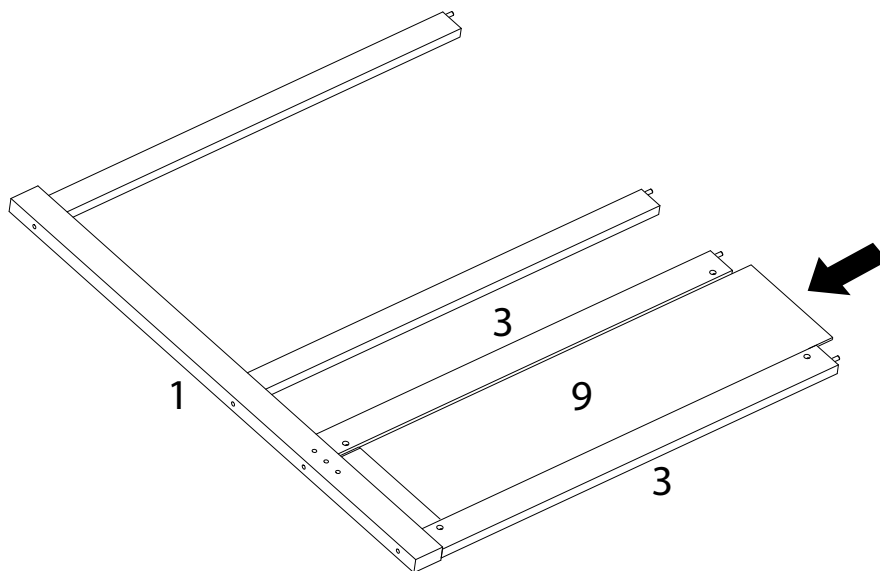
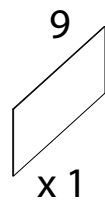
2 x 2



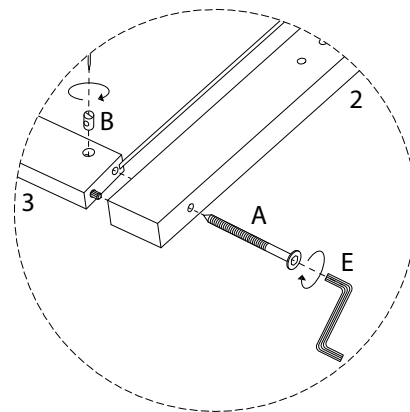
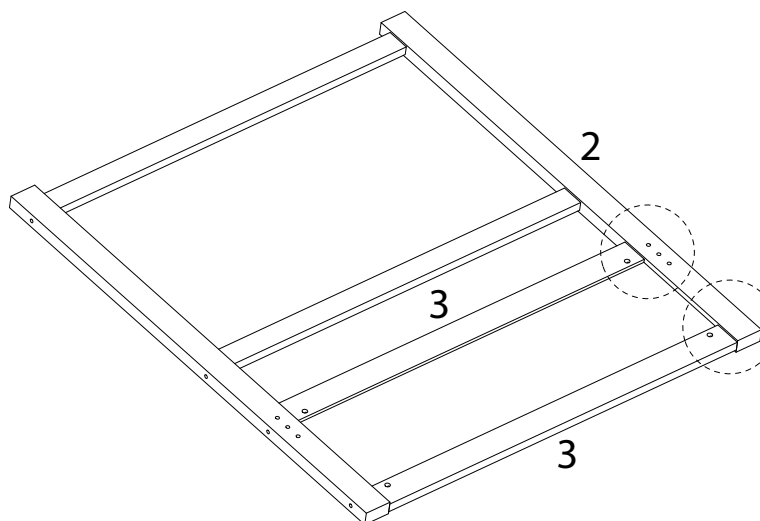
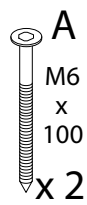
3 x 2



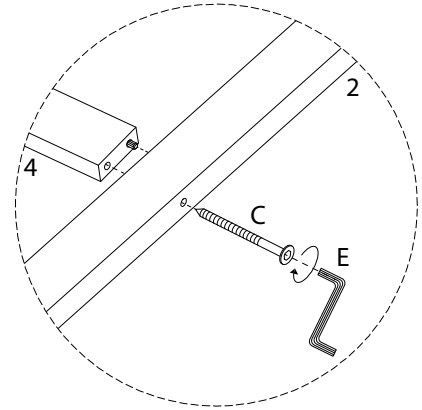
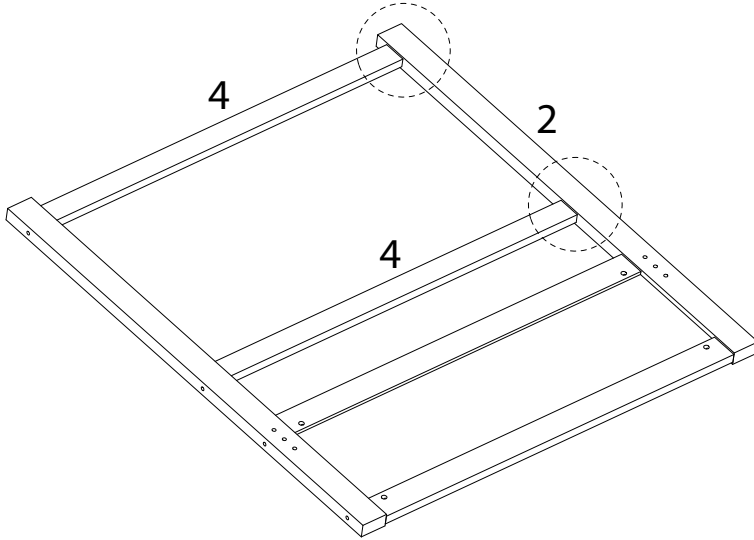
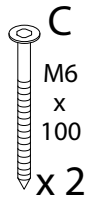
4 x 2



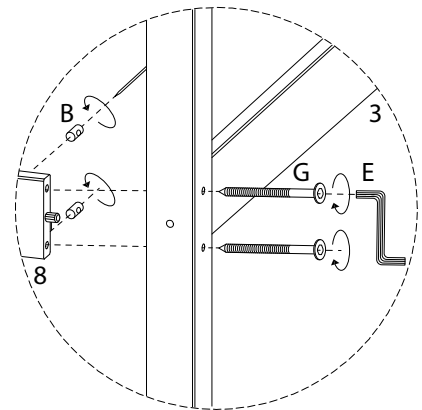
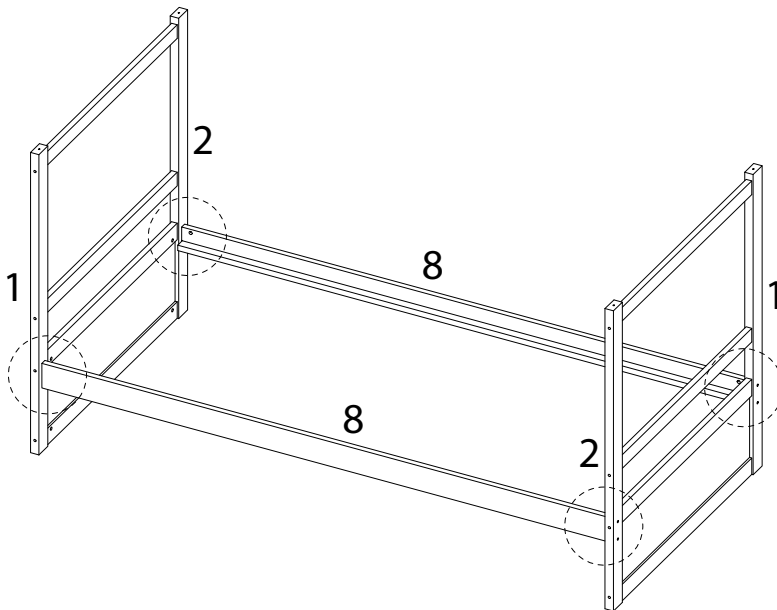
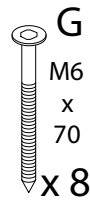
5 x 2



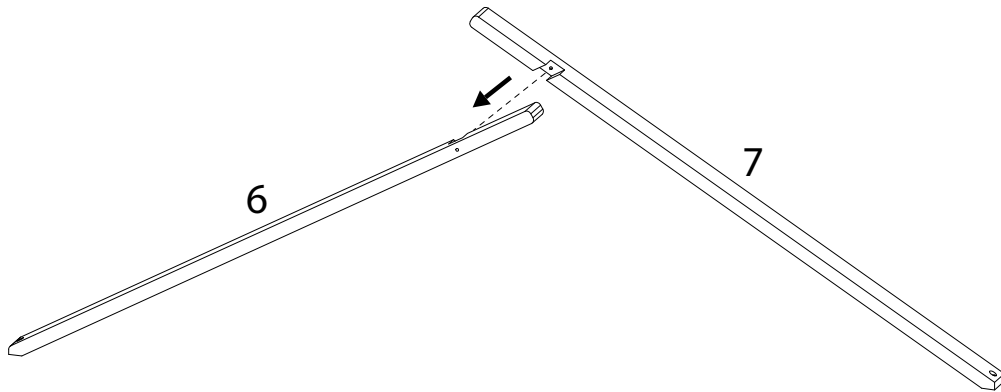
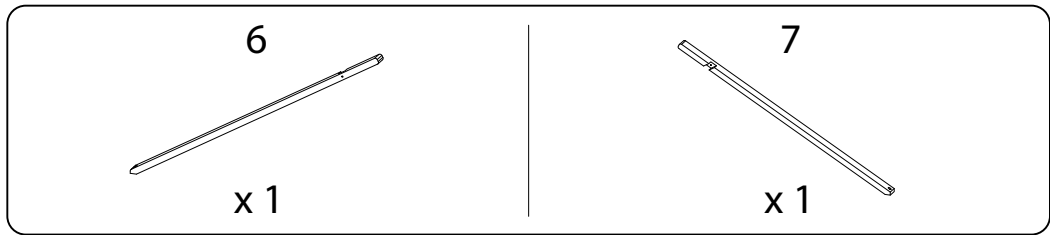
6 x 2



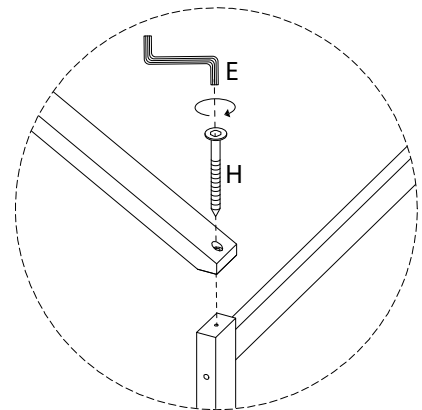
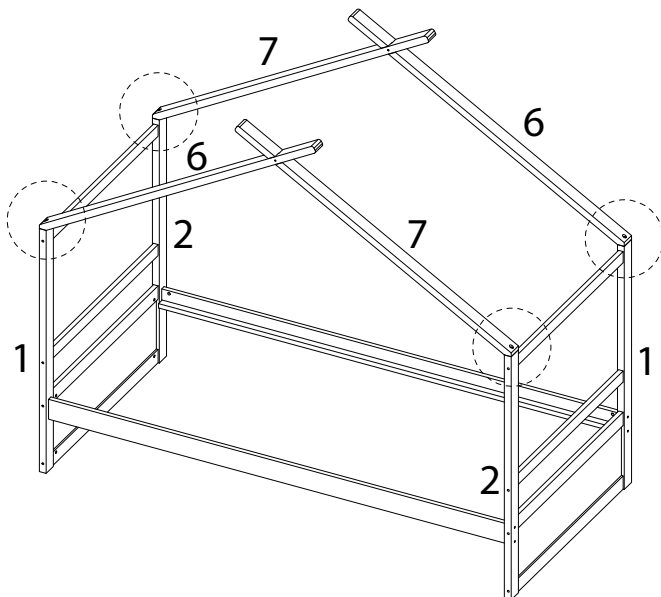
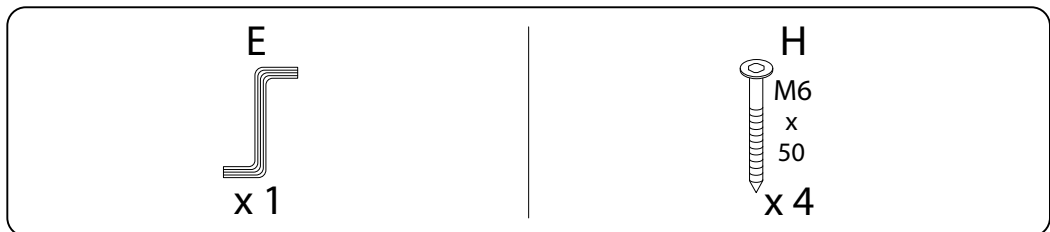
7



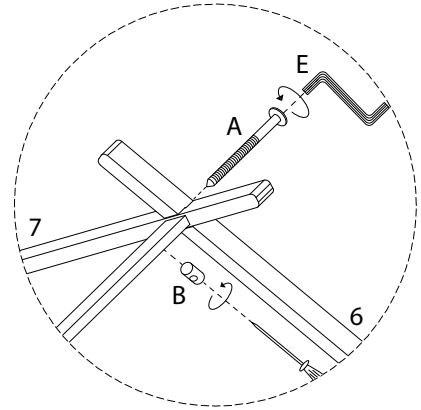
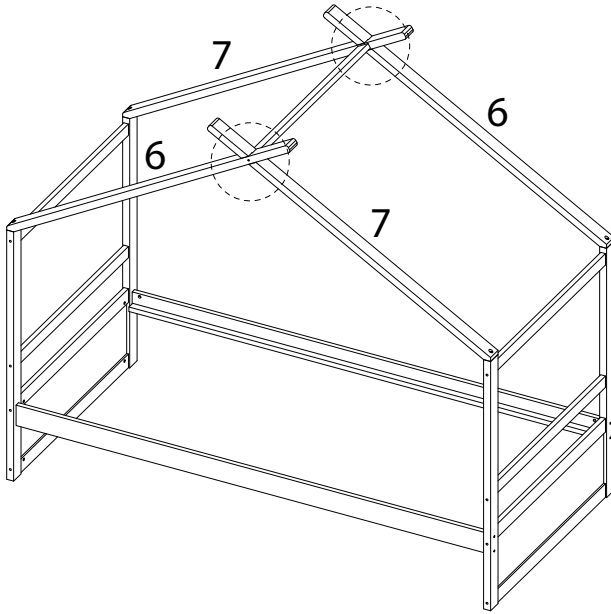
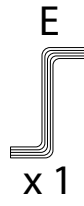
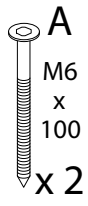
8 x 2



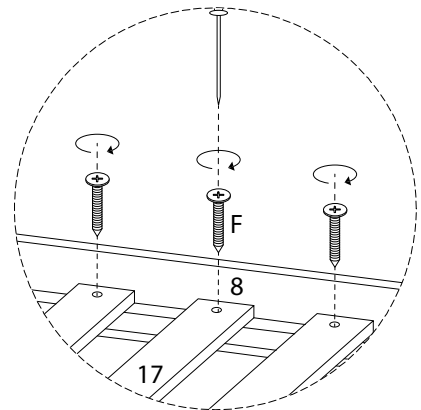
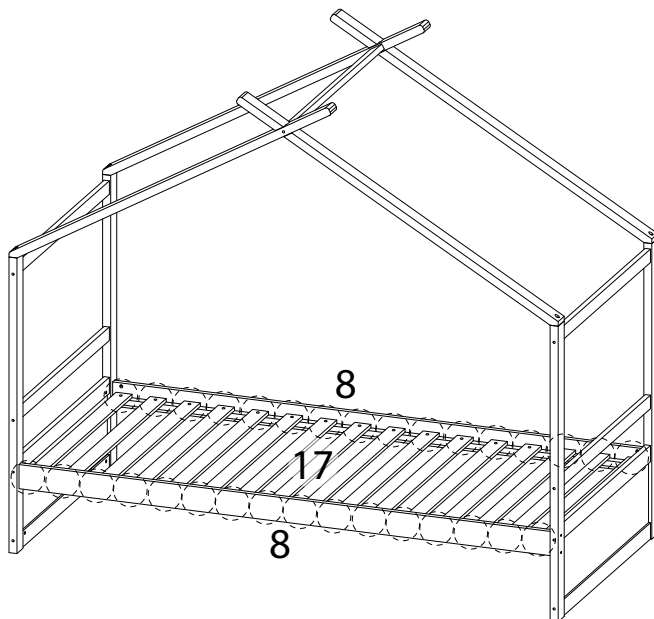
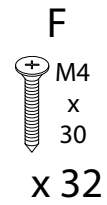
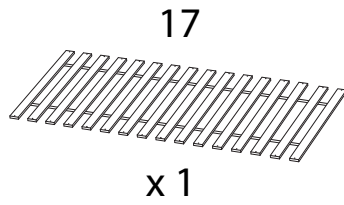
9



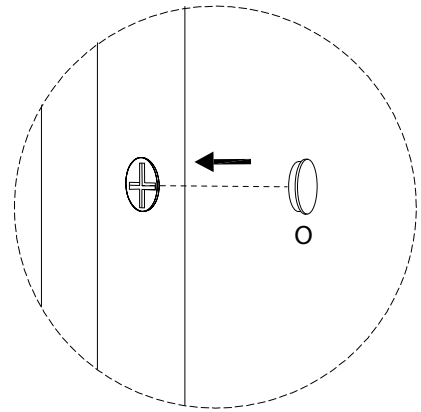
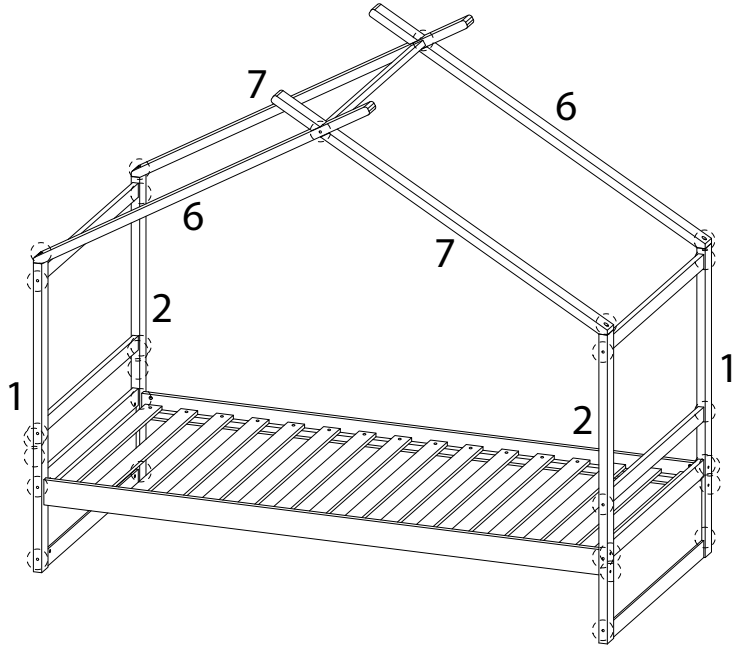
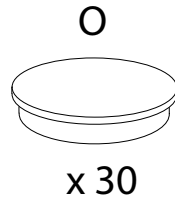
10



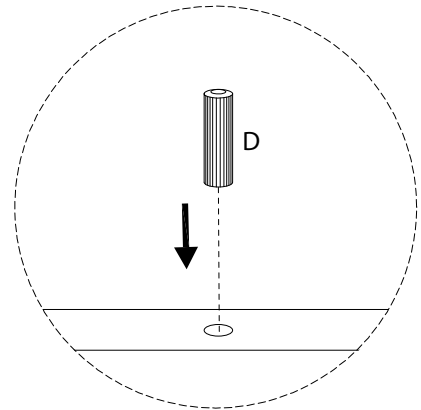
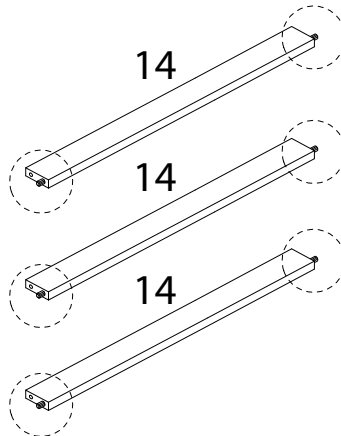
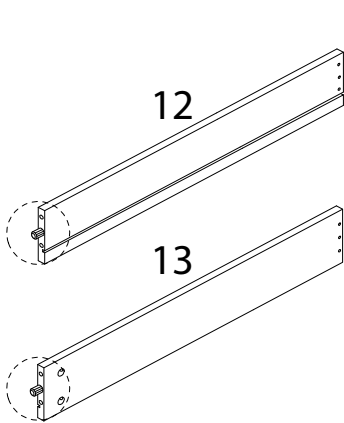
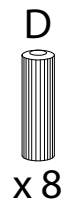
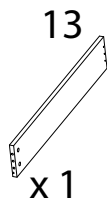
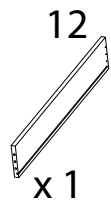
11



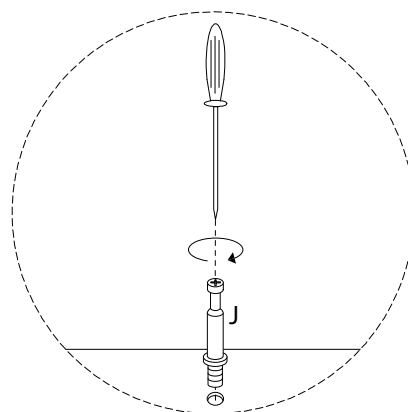
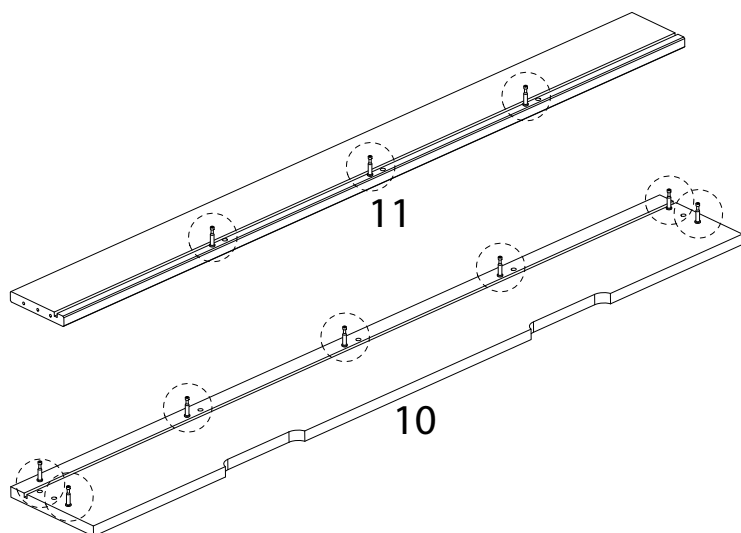
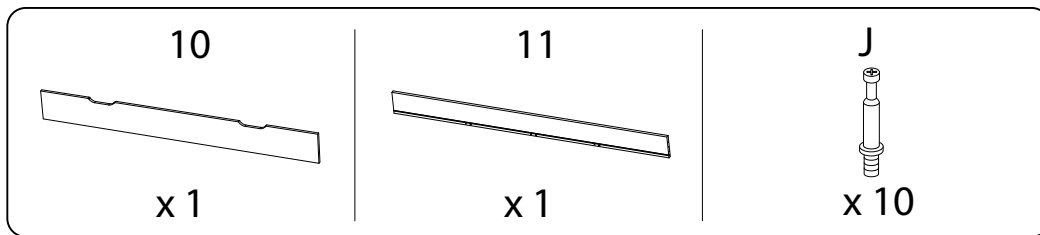
12



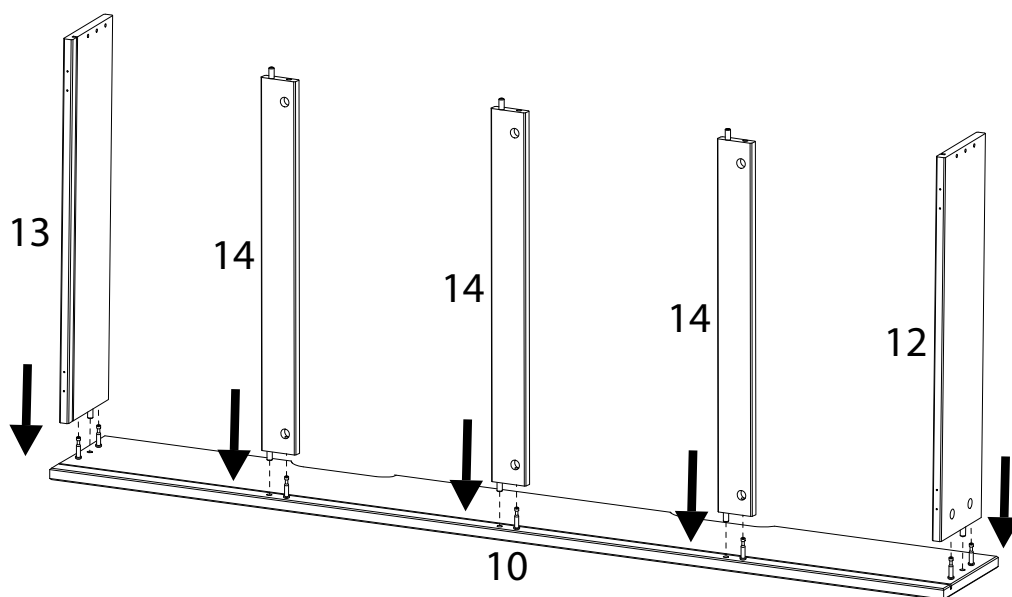
13



14



15

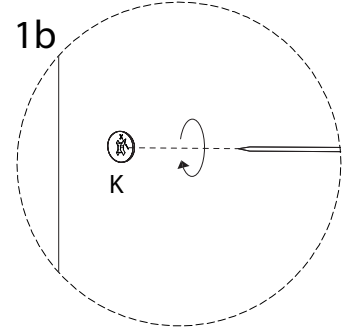
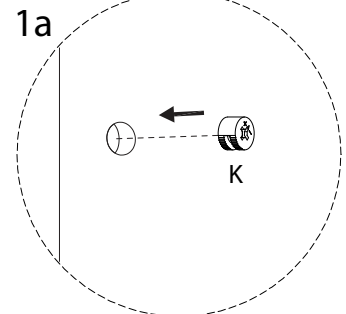
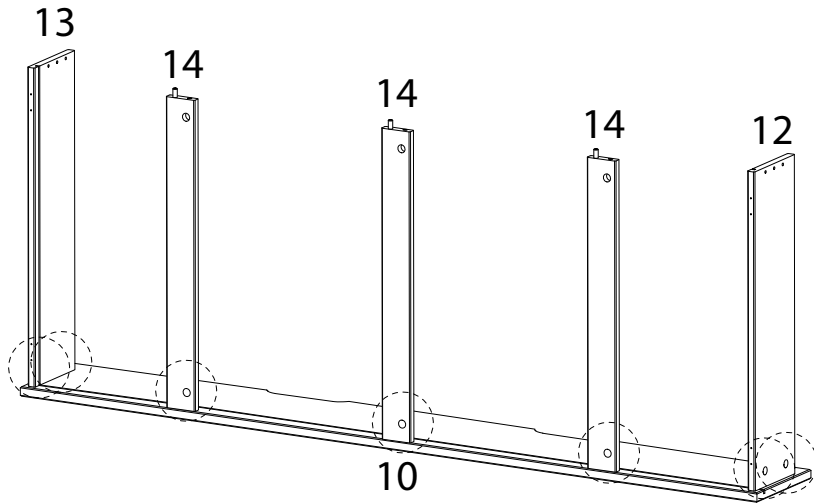


16

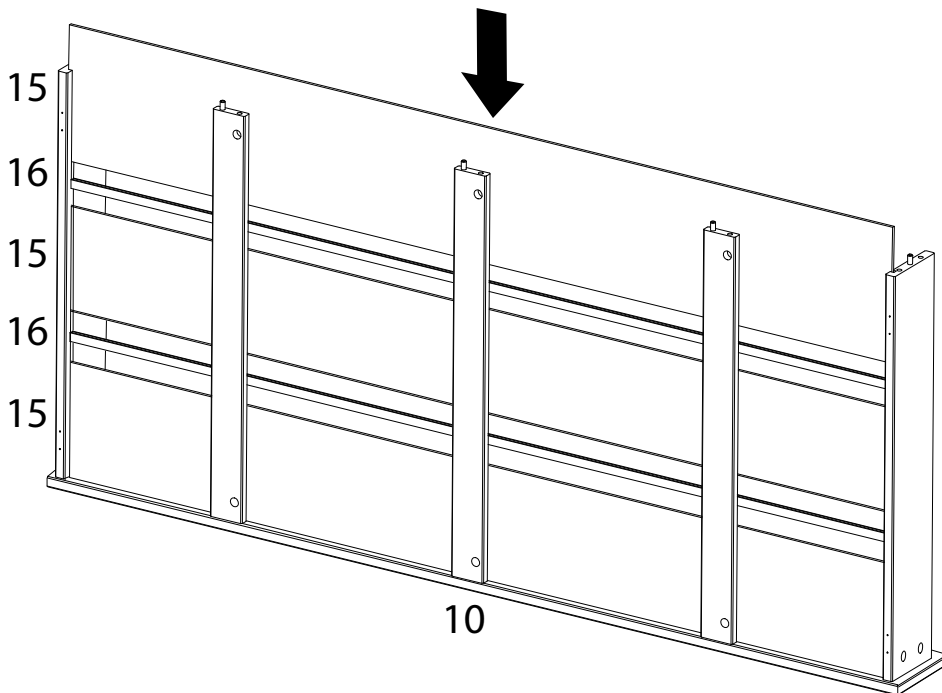
K



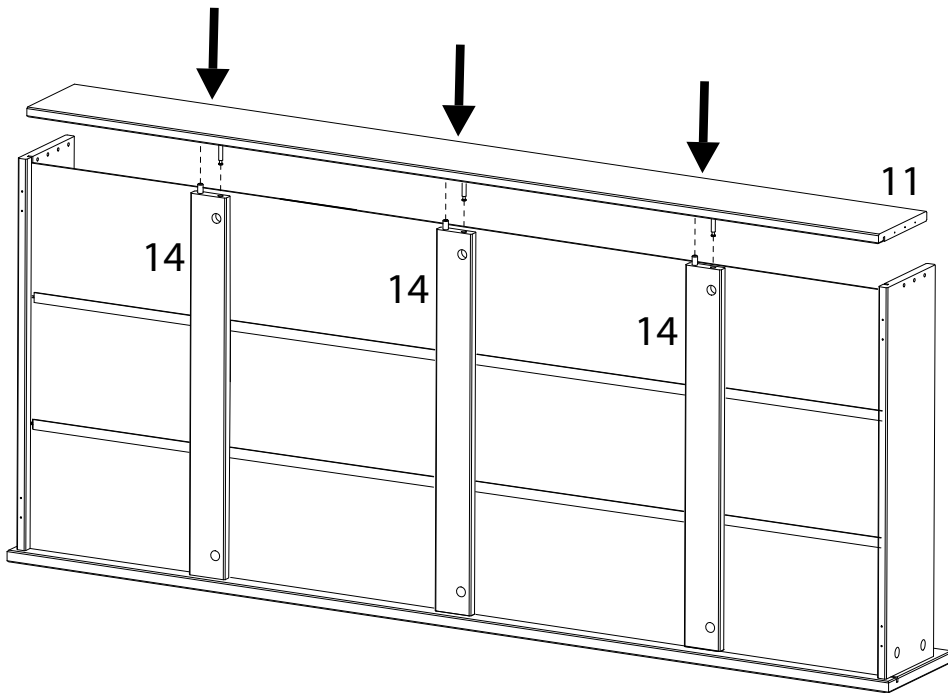
x7



17



18

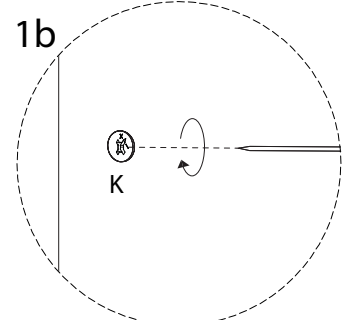
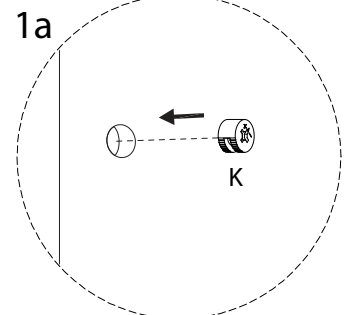
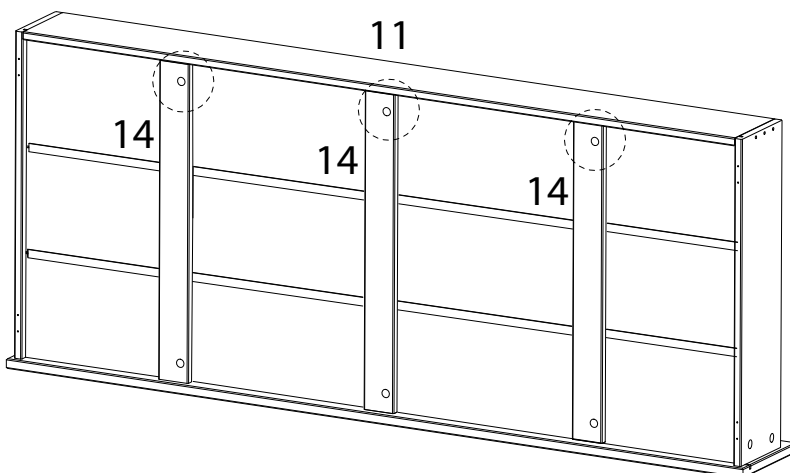


19

K

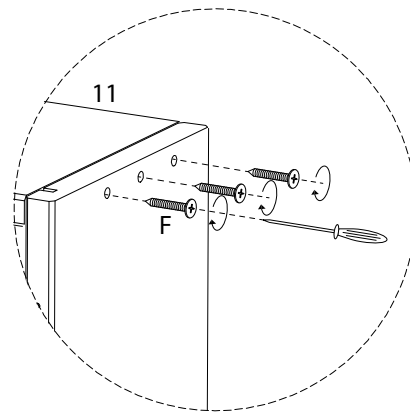
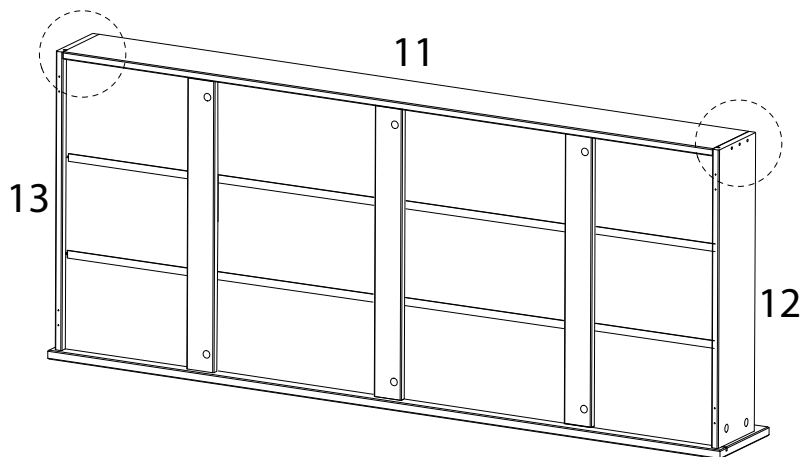
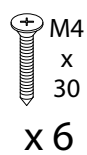


x 3



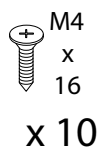
20

F

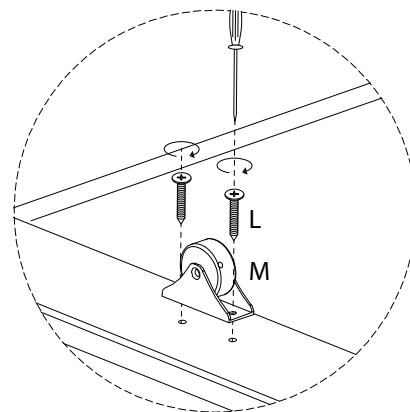
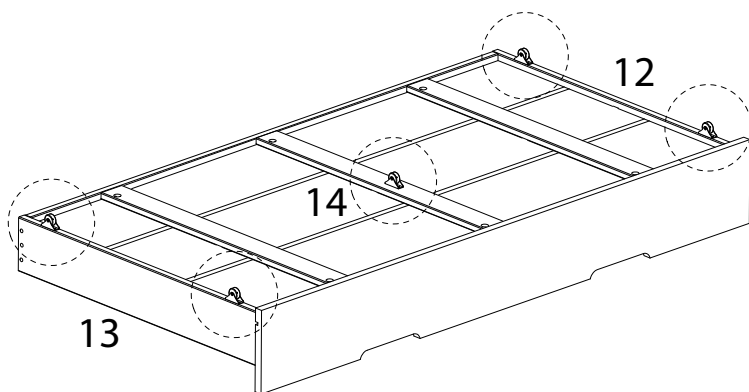


21

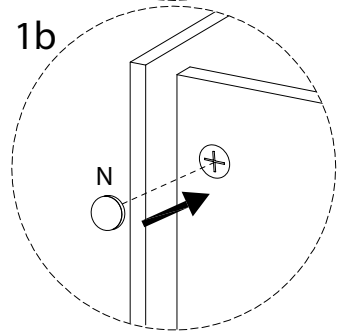
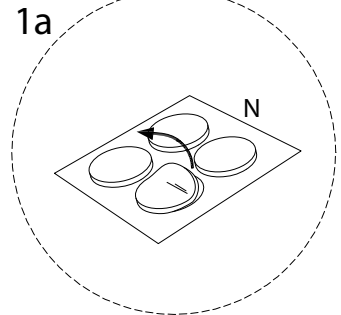
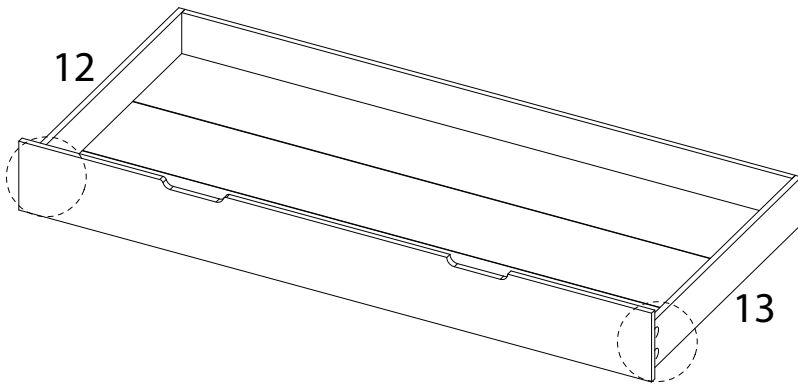
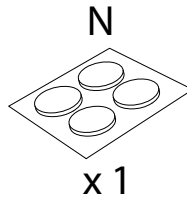
L



M



22



21

