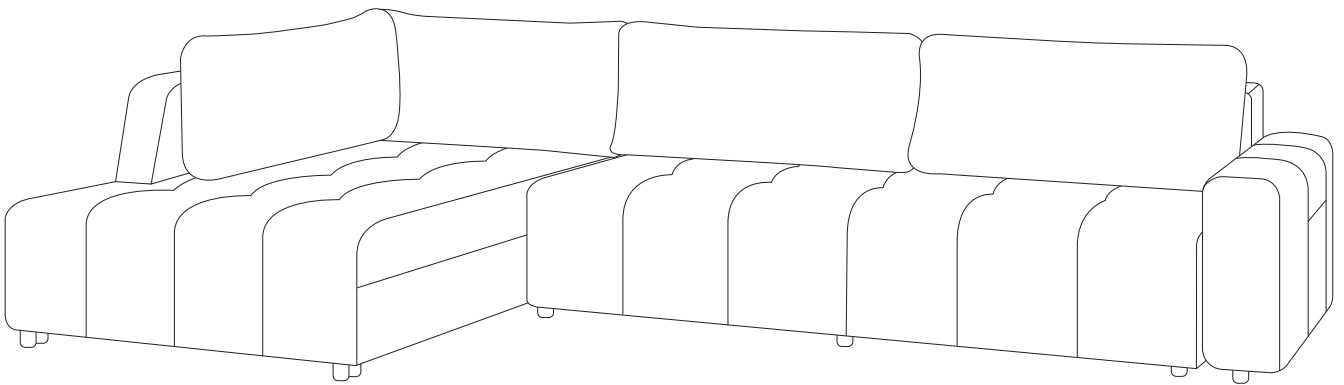
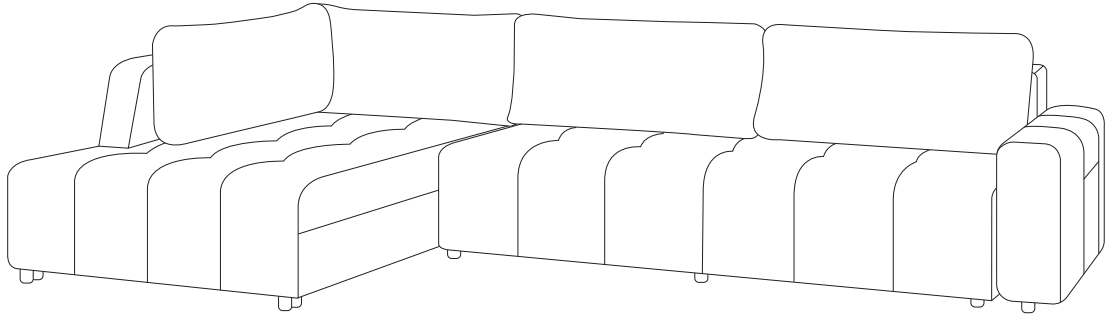
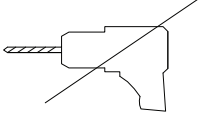

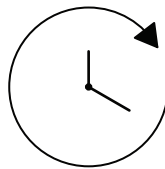
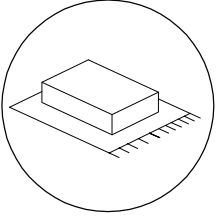
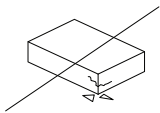


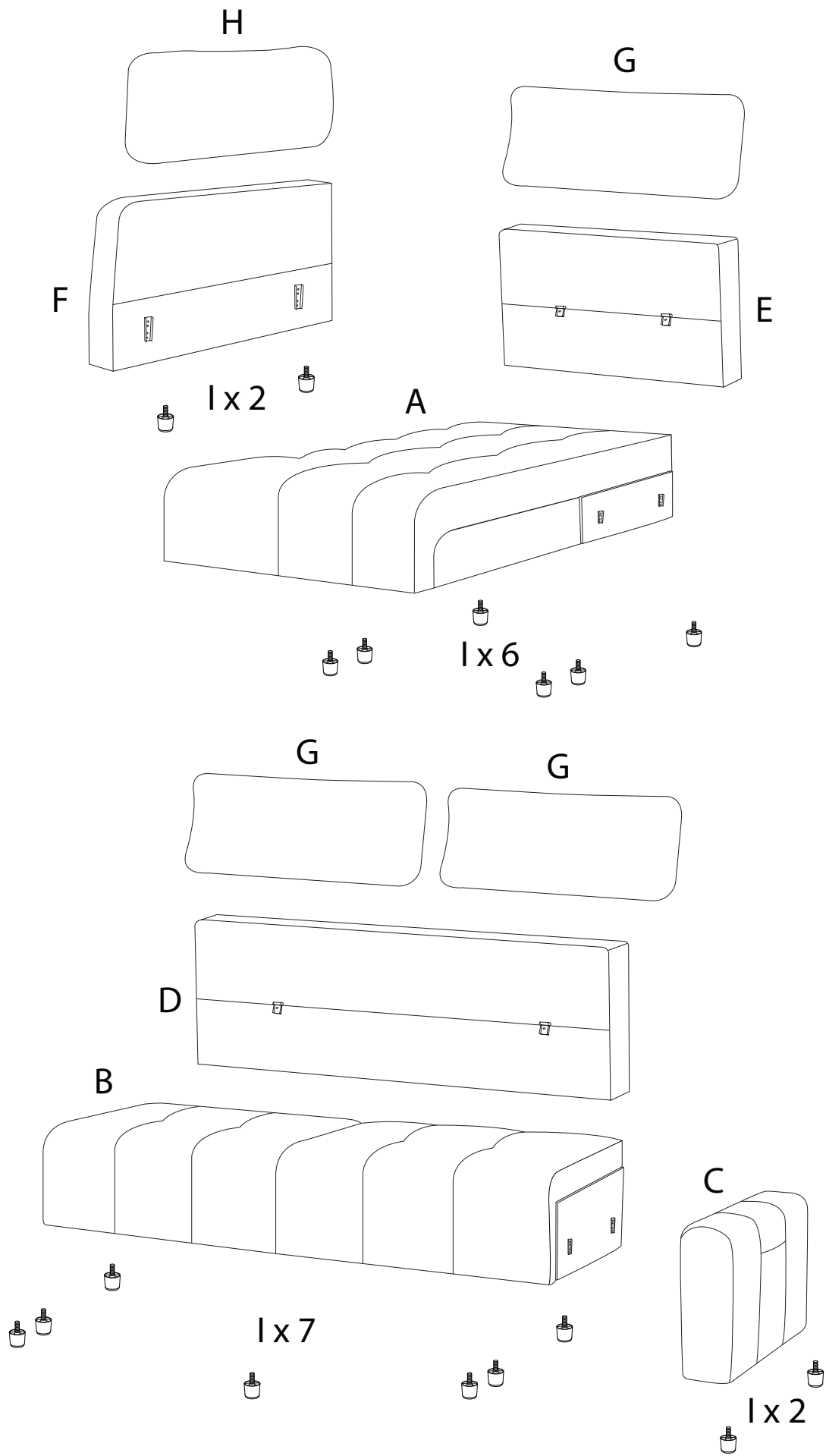


# INNVIK

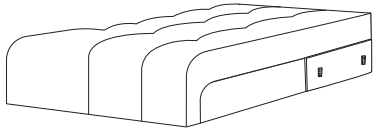




|   |   |   |
|---|---|---|
| <br>A line drawing of a power drill with a diagonal slash through it, indicating that power tools should not be used.  |  |              |
| <br><br>Two line drawings of a rectangular block. The left one is on a textured surface with a diagonal slash through it. The right one is being drilled from the bottom with a diagonal slash through it, indicating that screws should not be used. |  | 40'<br><br>2 |

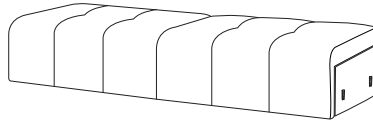


A



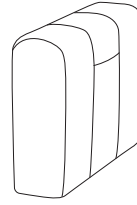
x 1

B



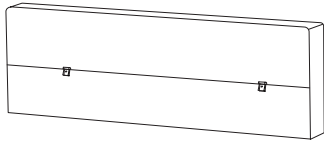
x 1

C



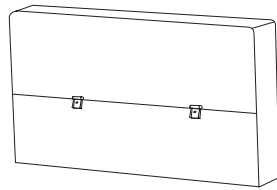
x 1

D



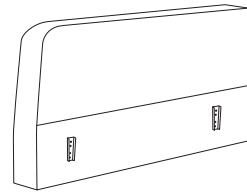
x 1

E



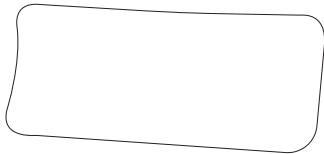
x 1

F



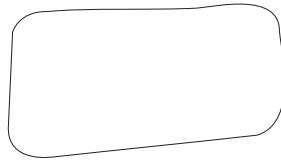
x 1

G



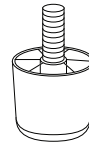
x 3

H



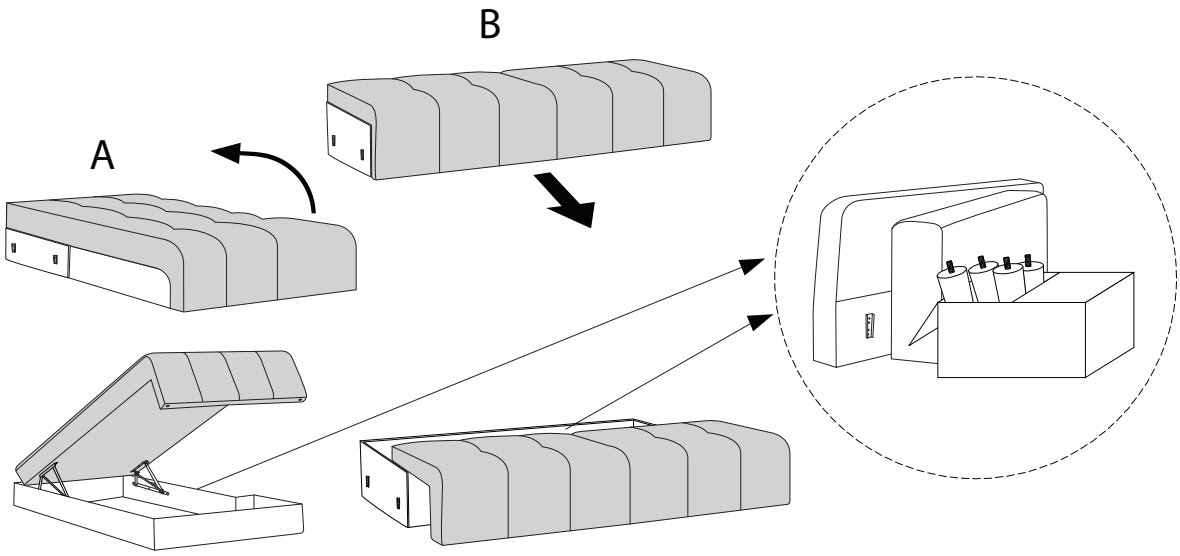
x 1

I

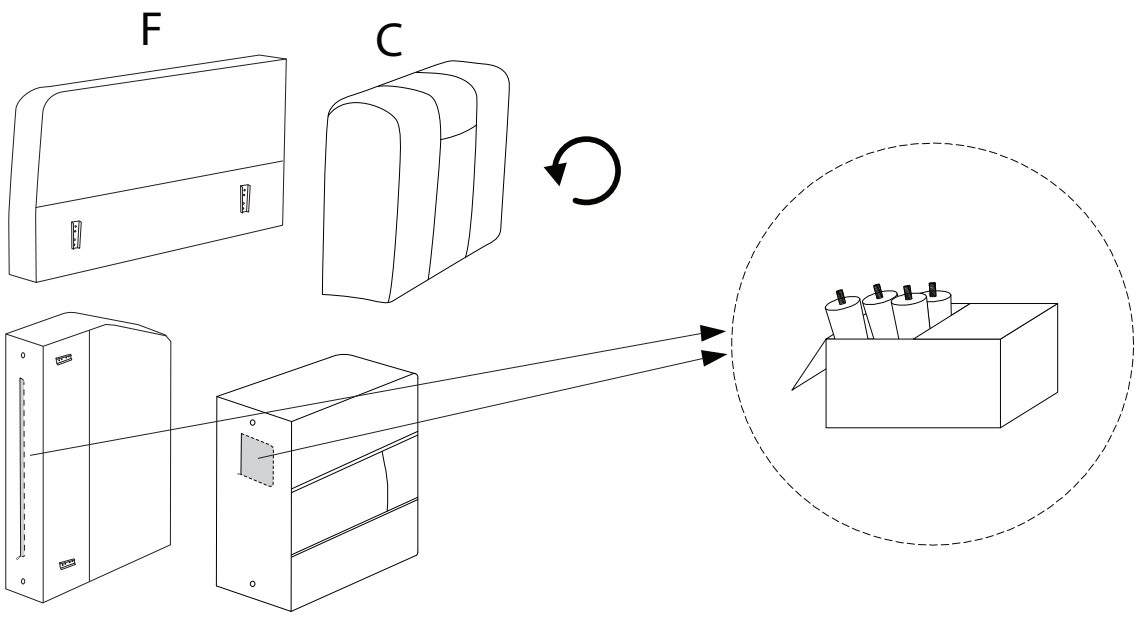


x 17

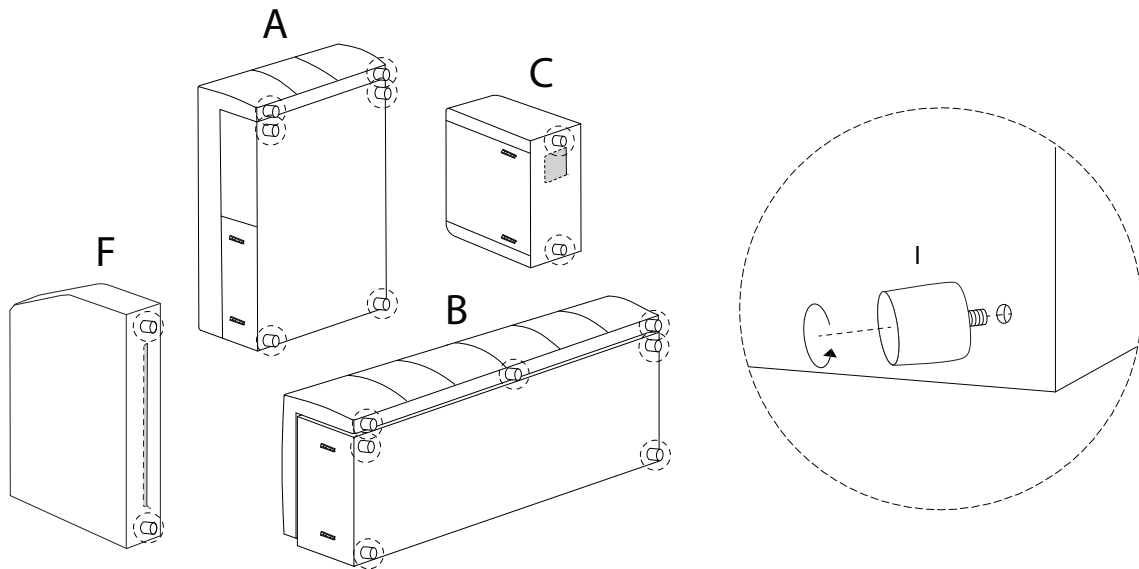
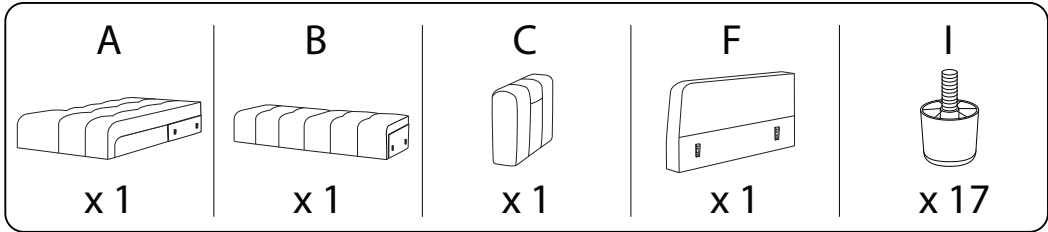
!



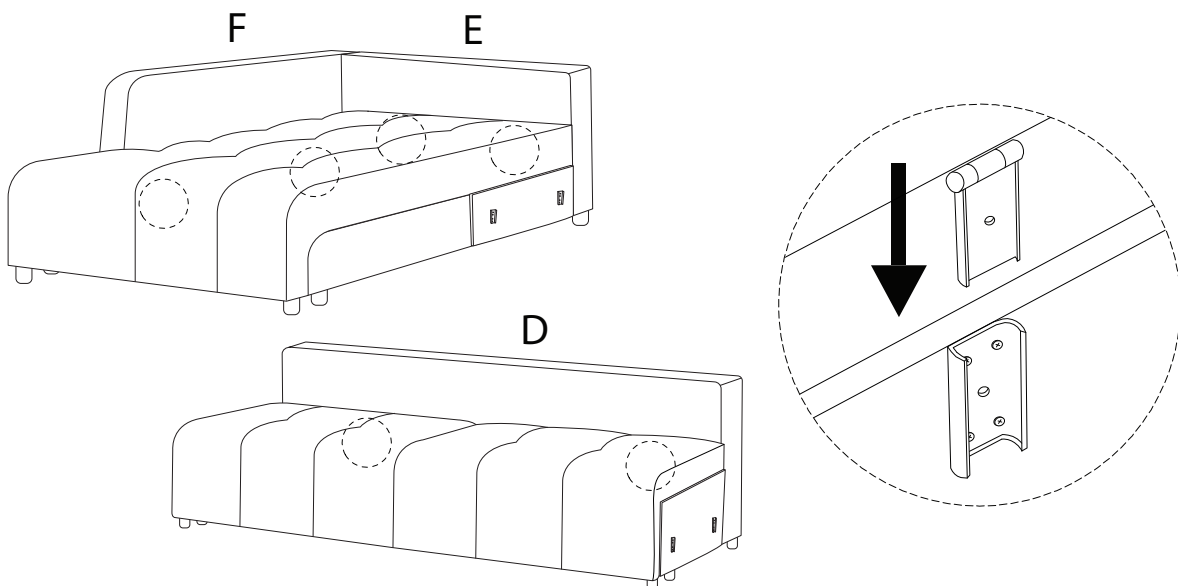
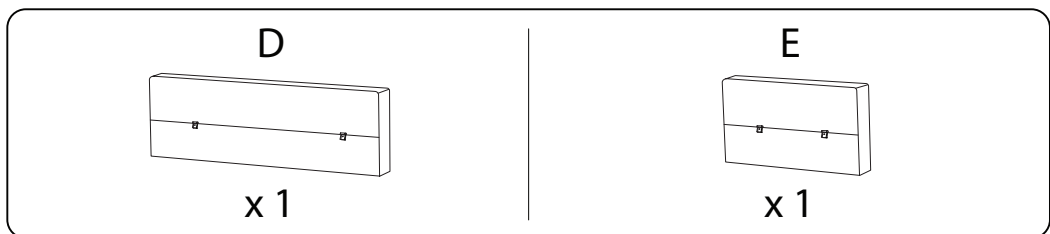
!



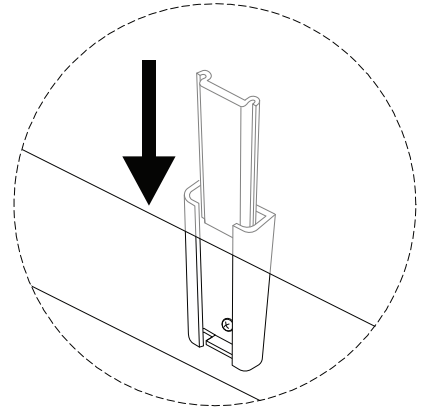
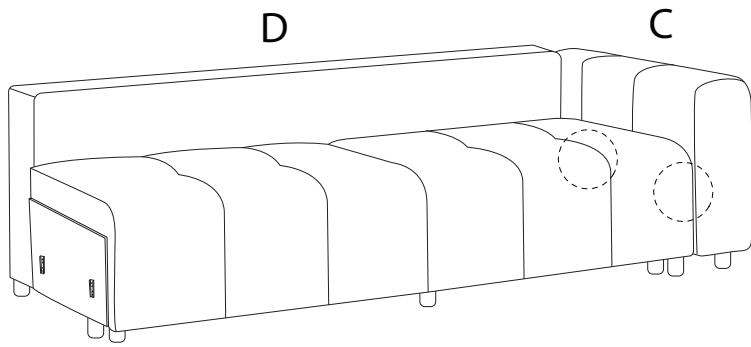
1



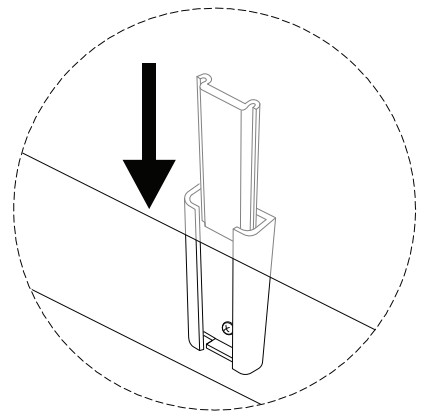
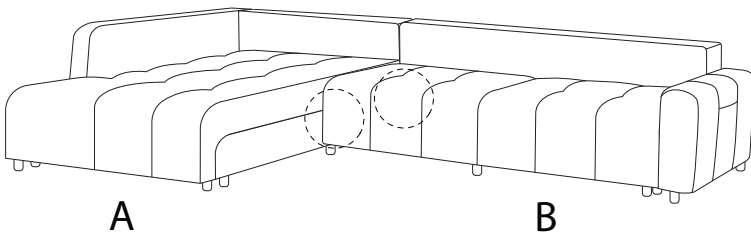
2



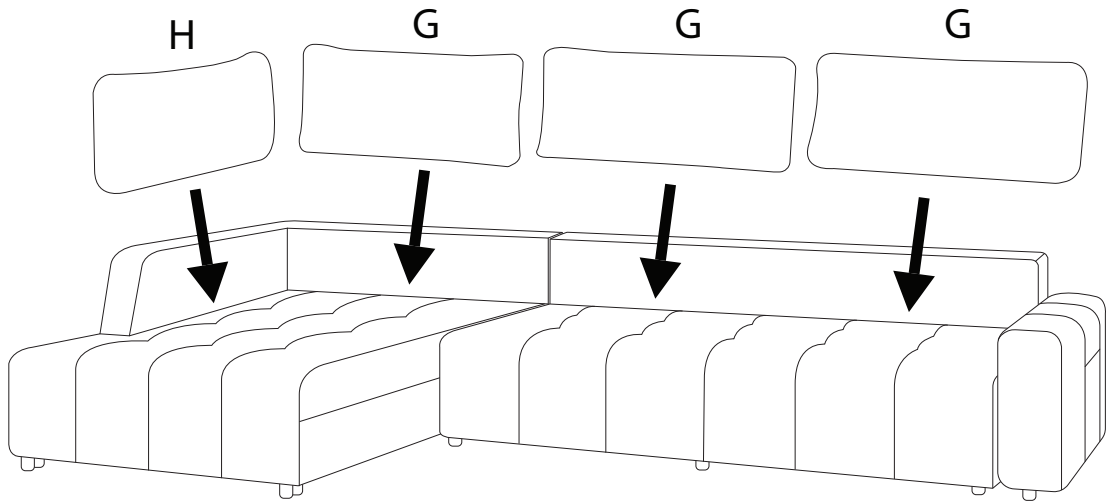
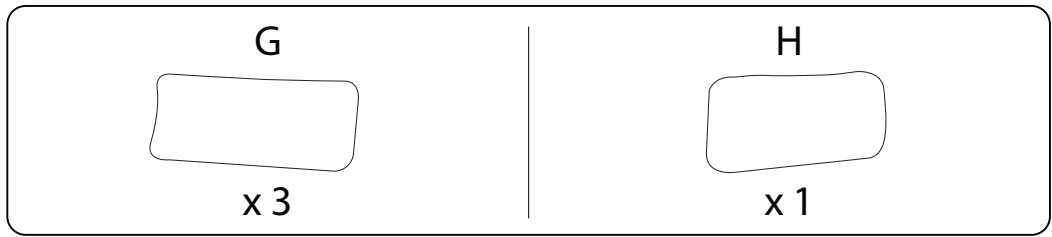
3



4



5





!

