
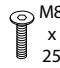
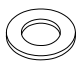
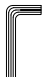
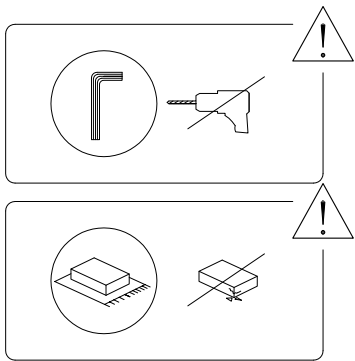
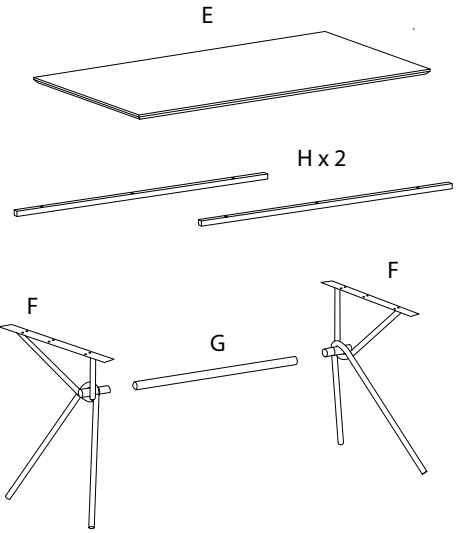






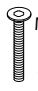


<b>A</b>  x 4	<b>B</b>  x 12	<b>C</b>  x 18	<b>D</b>  x 2
--	---	---	--



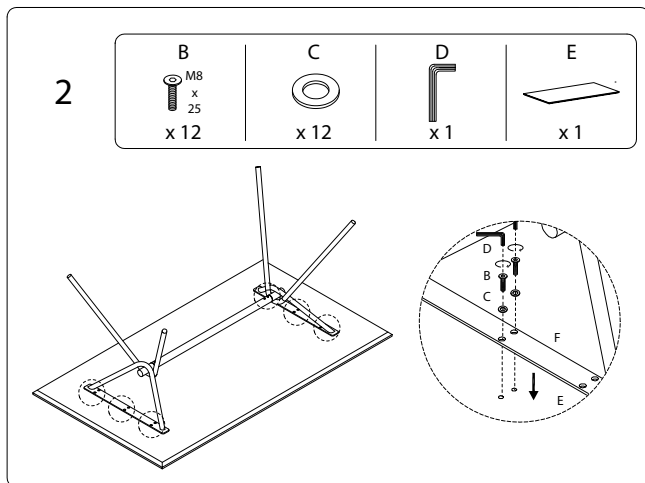
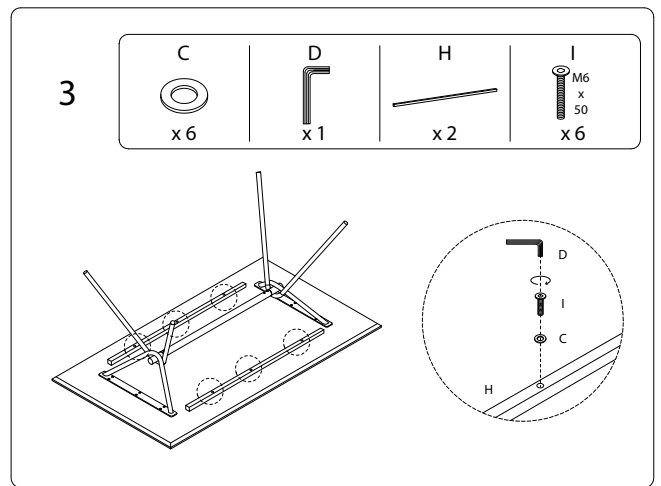
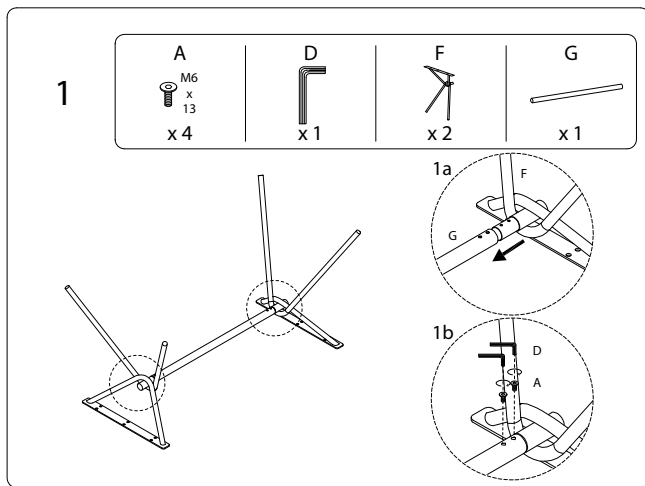
1/4

1343/AMSTERDAM/161120'

<b>E</b>  x 1	<b>F</b>  x 2	<b>G</b>  x 1	<b>H</b>  x 2	<b>I</b>  x 6
--	--	--	--	--

2/4

1343/AMSTERDAM/161120'



3/4

1343/AMSTERDAM/161120'

4/4

1343/AMSTERDAM/161120'