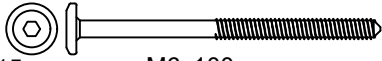

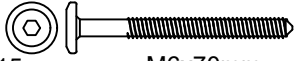
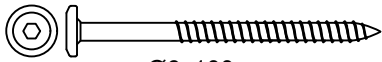

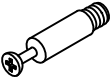

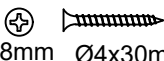

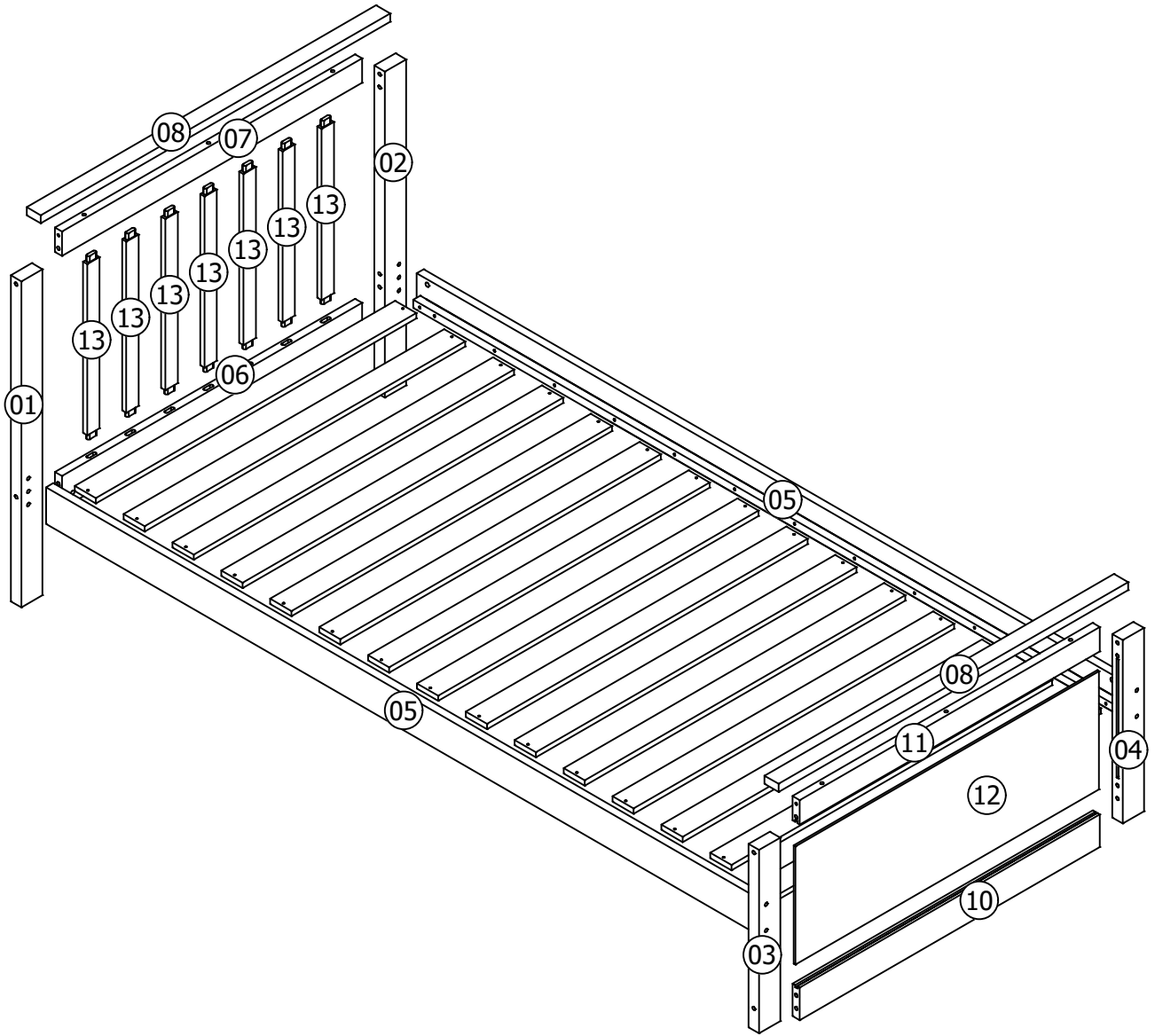


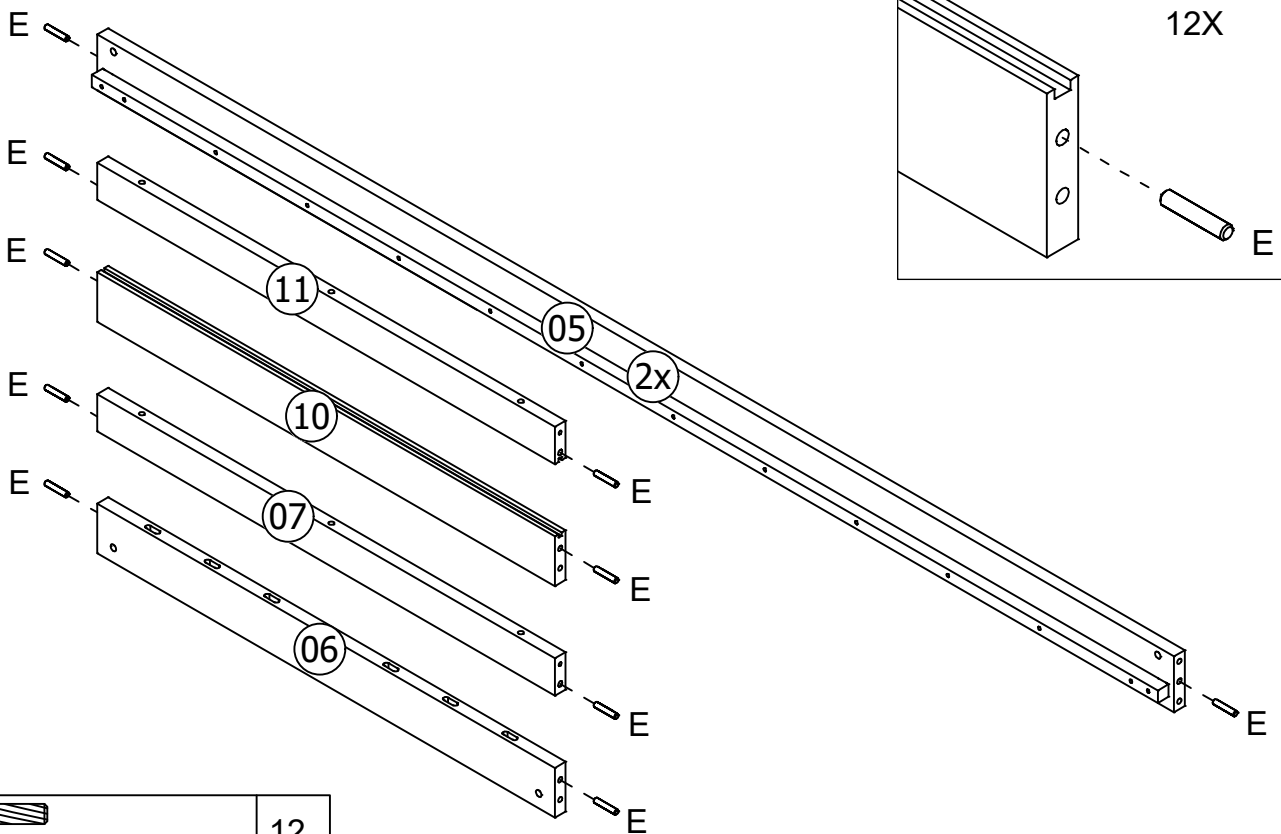
HARDWARE



A	 15mm M6x100mm	04
B		12
C	 15mm M6x70mm	08
D	 15mm Ø6x100mm	04
E	 8mm Ø8x30mm	12

F	 Ø6x35mm	06
G		06
H	 8mm Ø4x30mm	32
I	 4MM	01

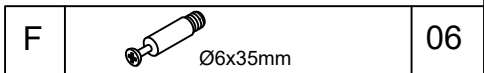
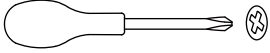
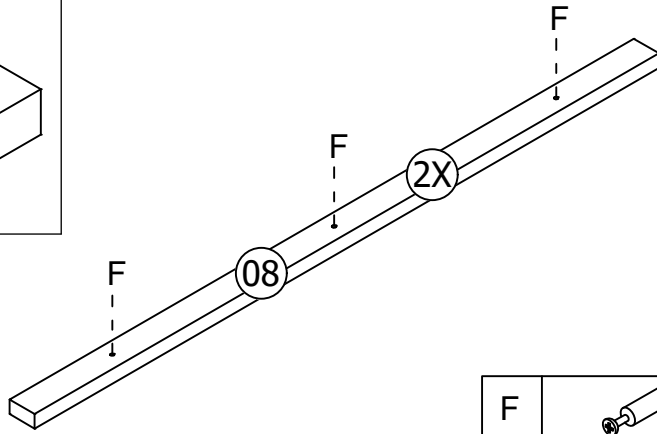
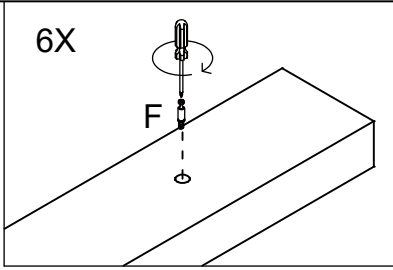


01

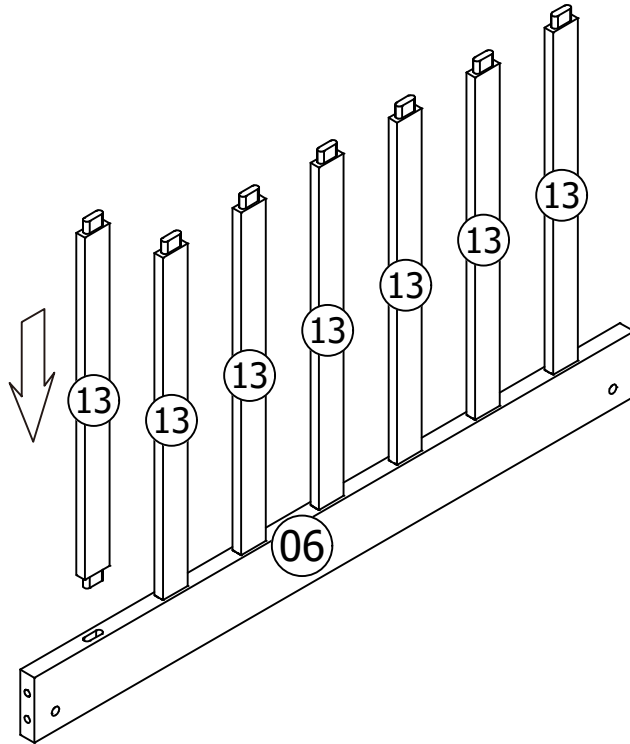


E			12
	8mm	Ø8x30mm	

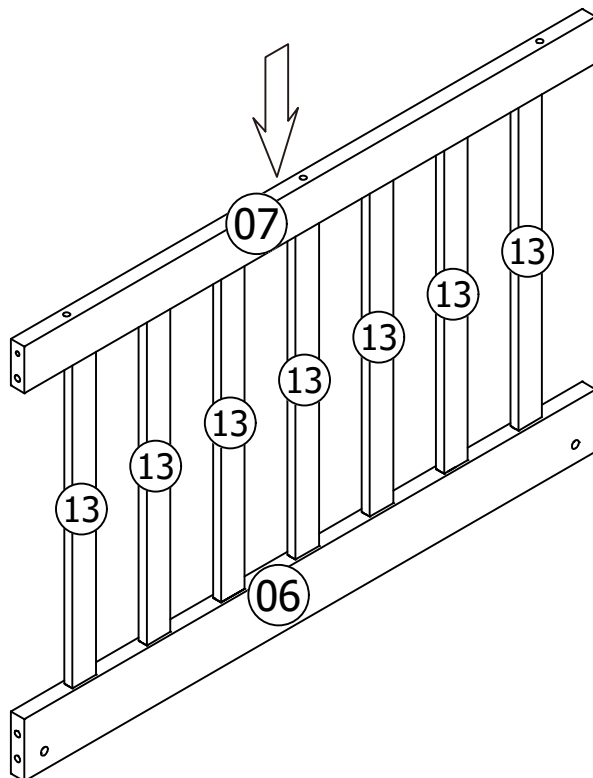
02



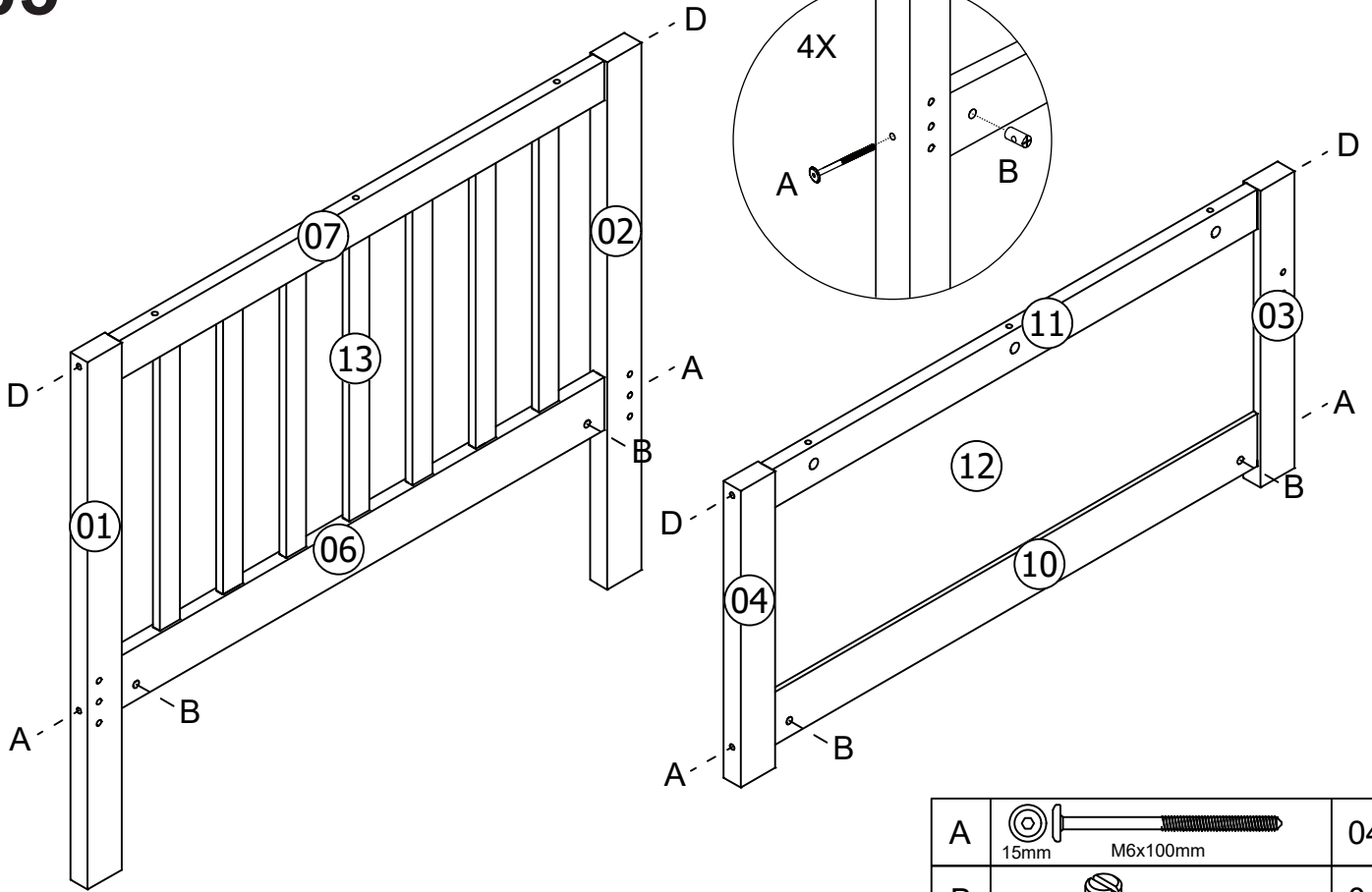
03







04



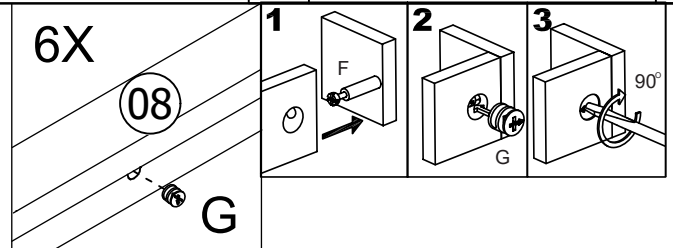
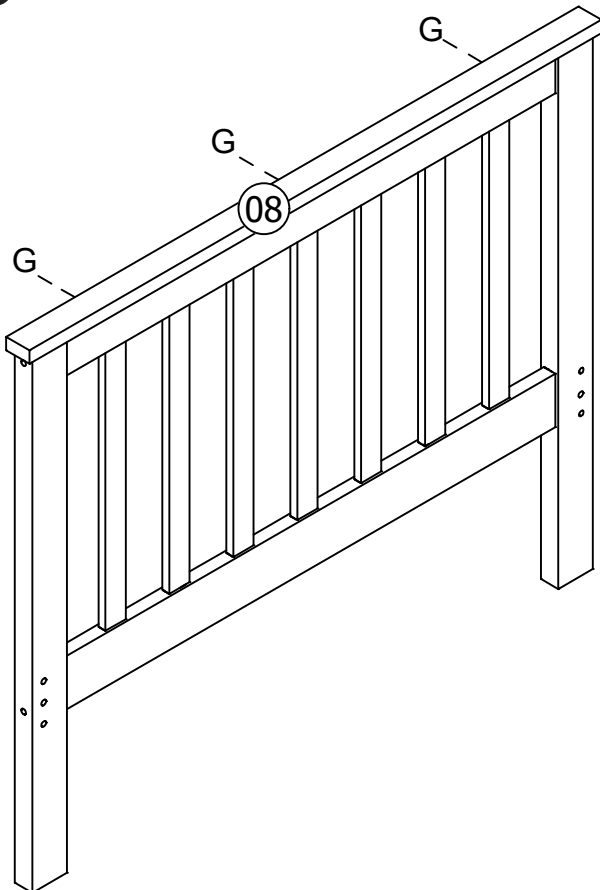
05





A	 15mm M6x100mm	04
B		04
D	 15mm Ø6x100mm	04

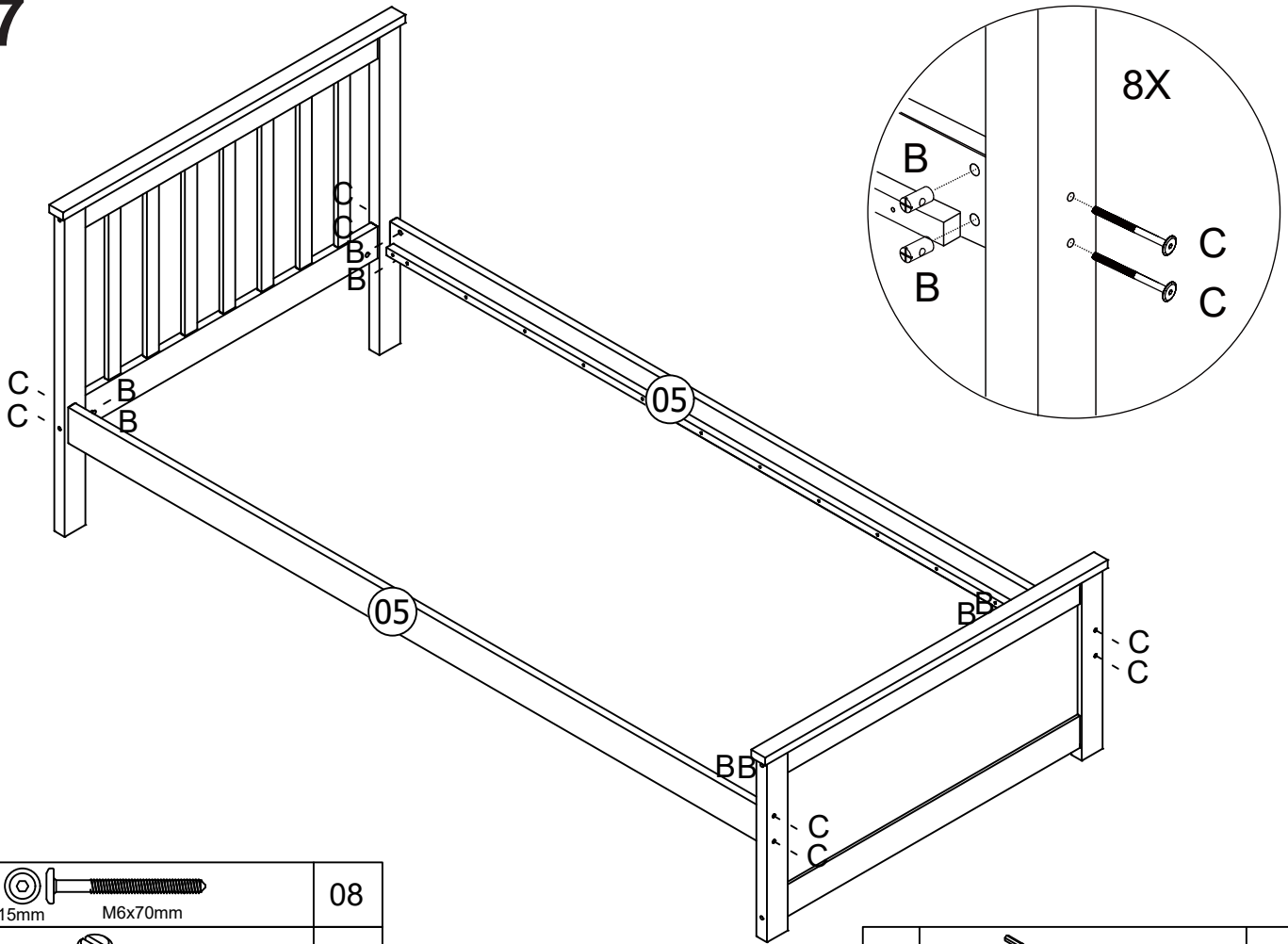
I	 4MM	01
---	---	----



06




G	 	06
---	---	----

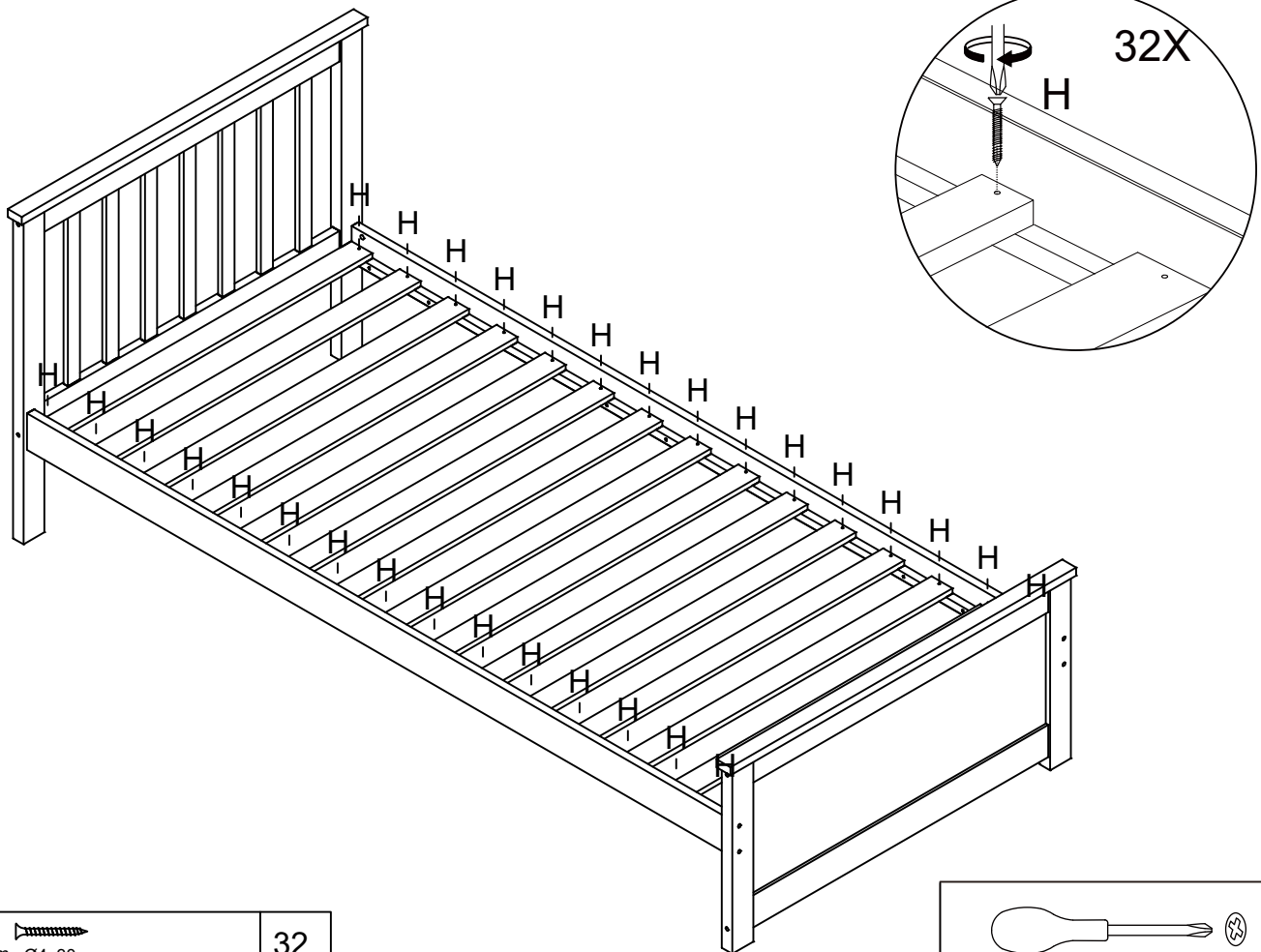
07




C	 15mm M6x70mm	08
B		08

I	 4MM	01
---	---	----

08



H	 8mm Ø4x30mm	32
---	---	----

