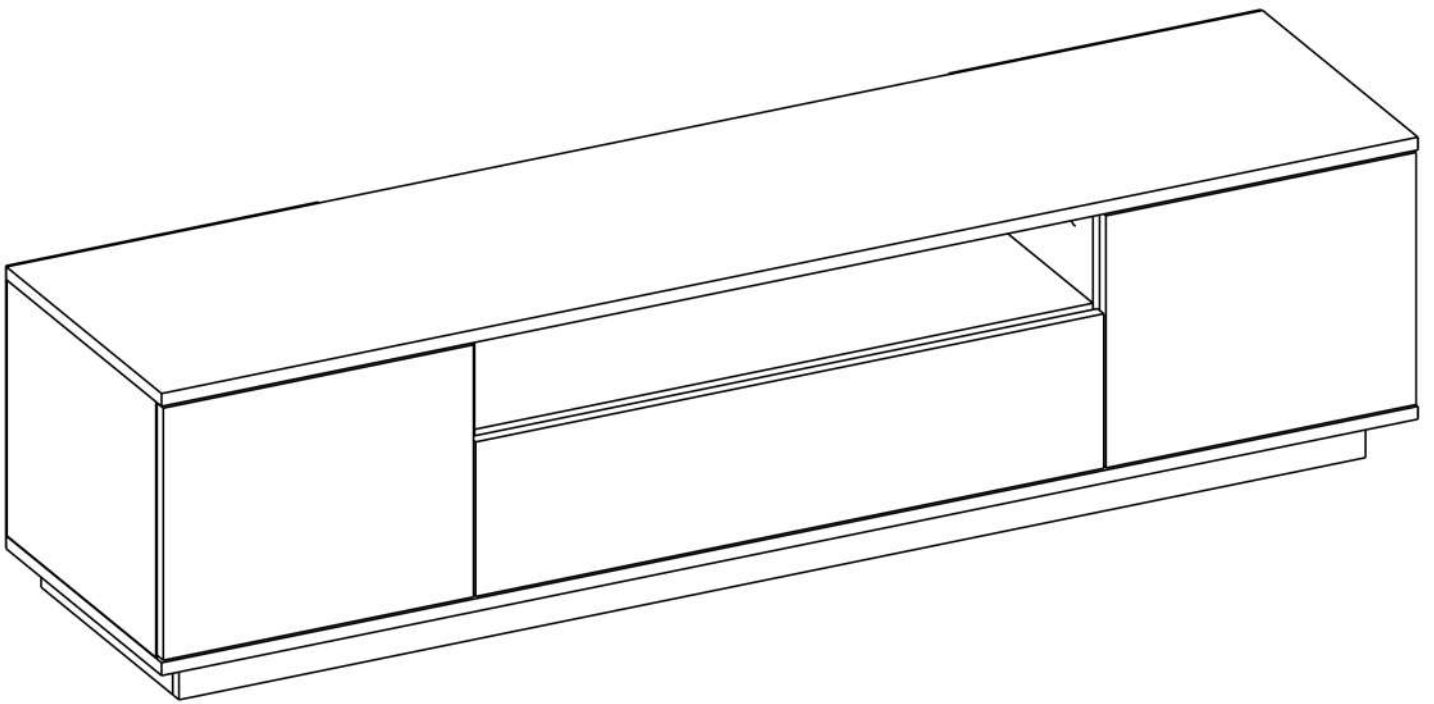









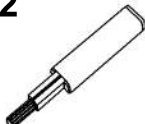


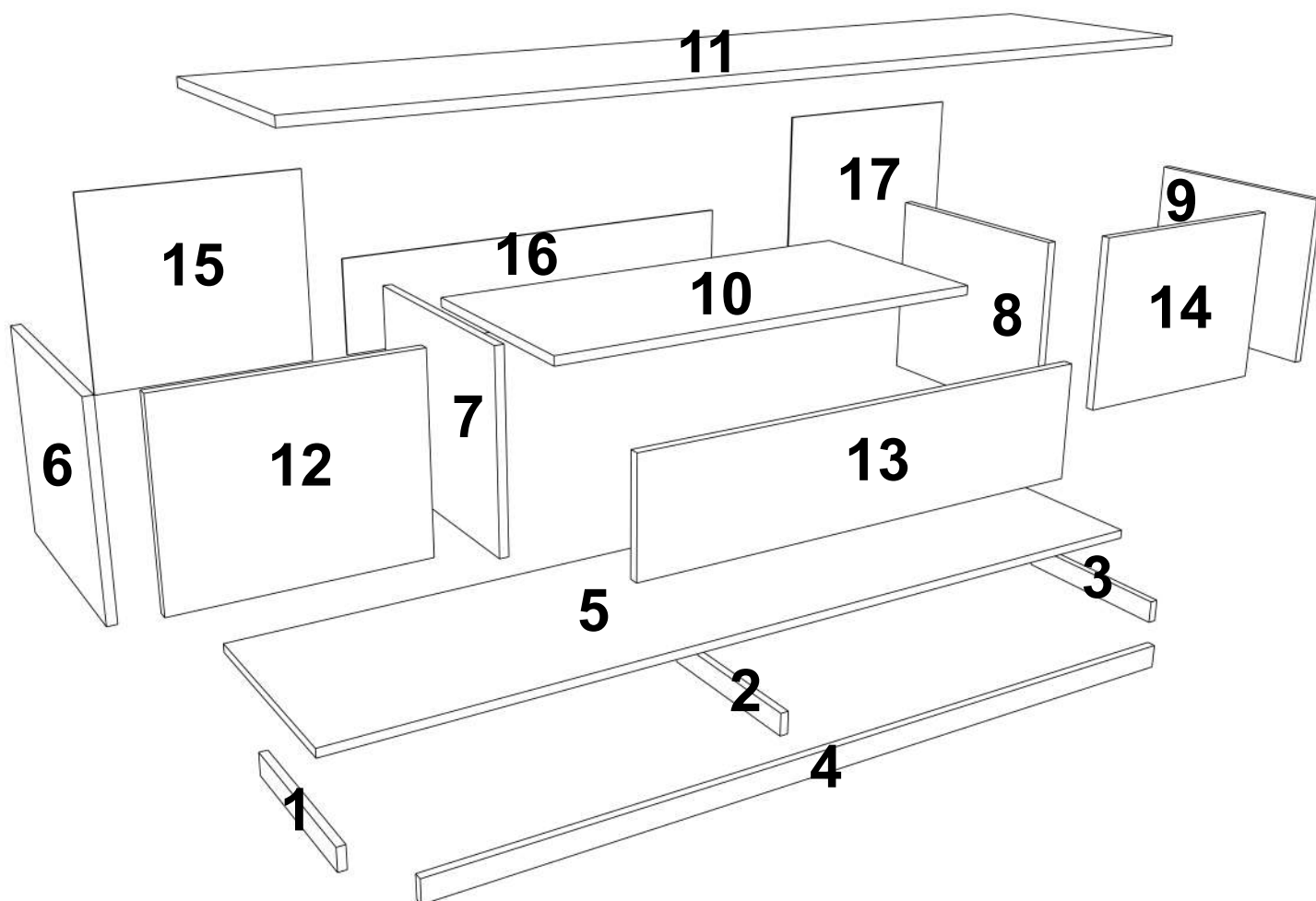
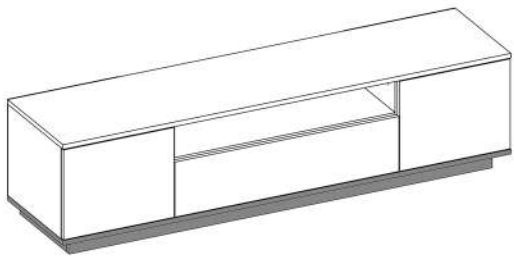


# FR7



<b>1</b>  B0501 x21	<b>1</b>  B0502 x21	<b>1</b>  B0503 x24	<b>1</b>  B0504 x21	<b>2</b>  B0301 x39
<b>P</b>  B1102 x2	<b>2</b>  B0318 x45	<b>3</b>  B0103 x6	<b>3</b>  B0105 x6	<b>2</b>  B1403 x3
<b>2</b>  B0304 x11	<b>2</b>  COLOR 1 x11			





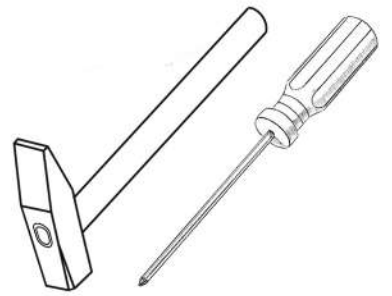
B0503

B0304

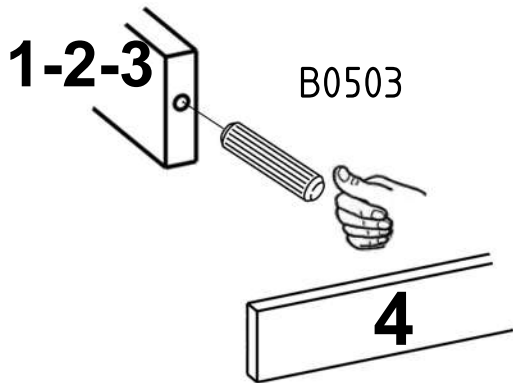
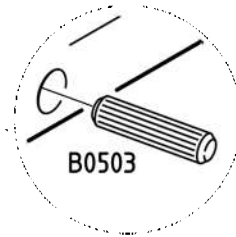
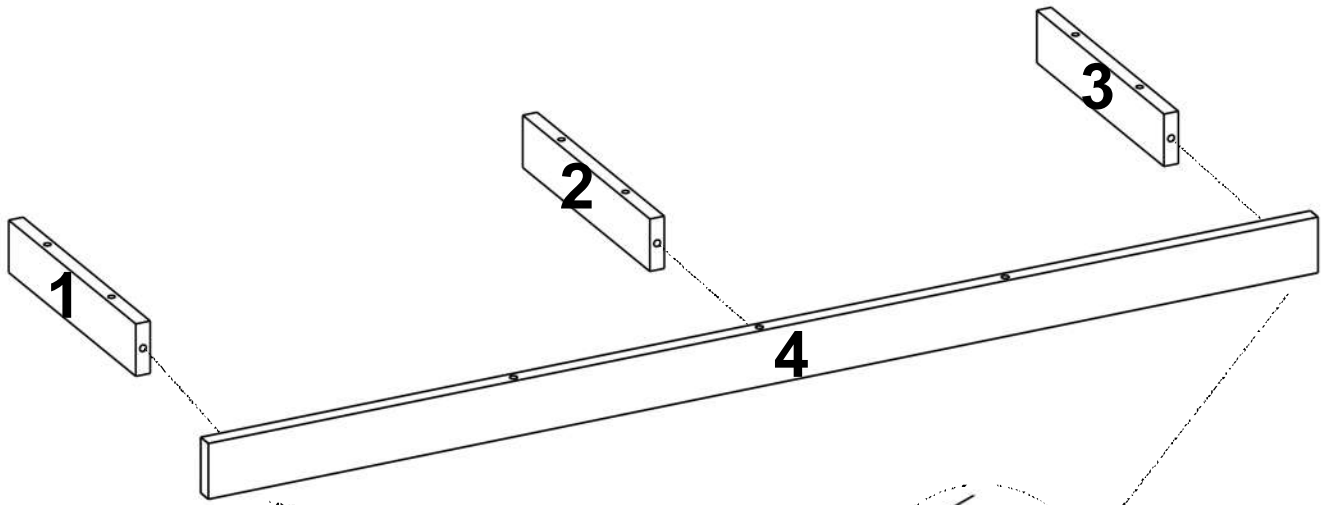


x3

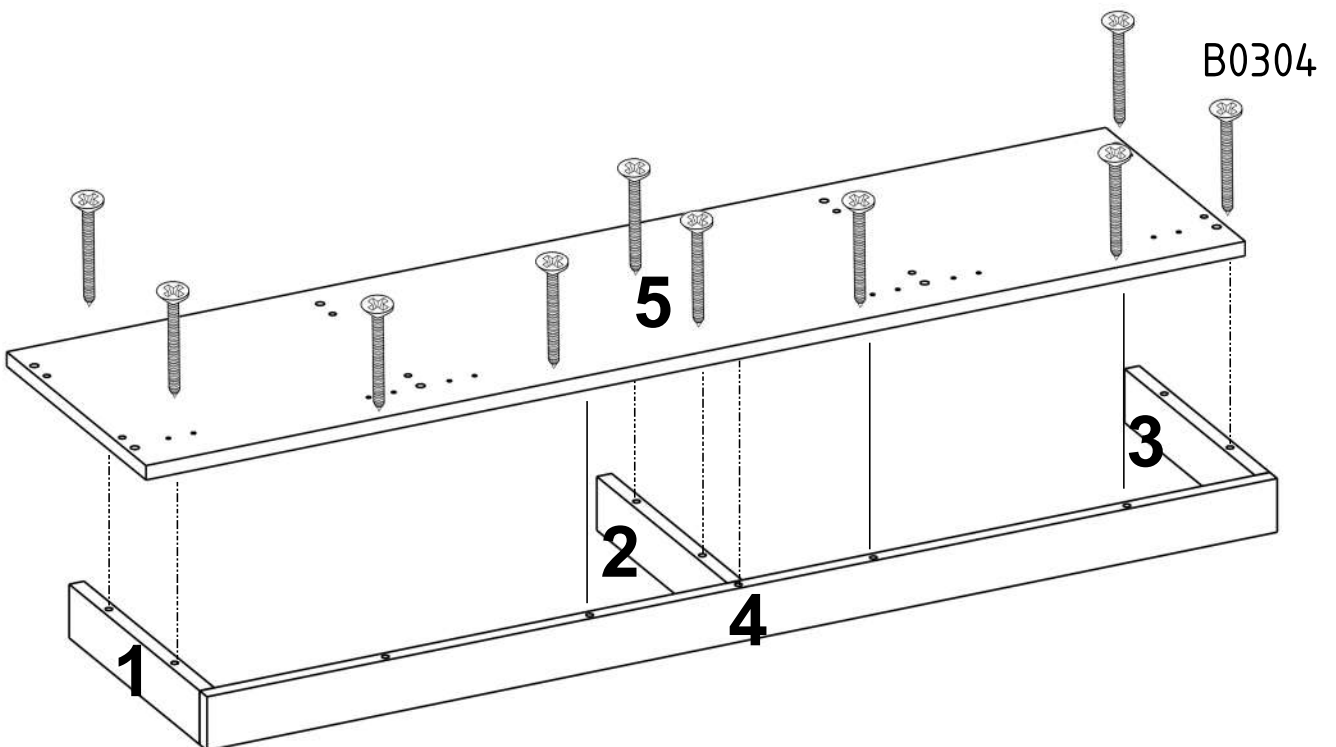
x10



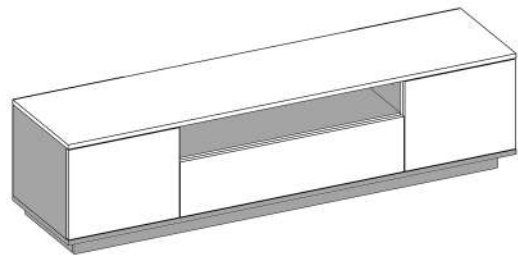
1



2



3

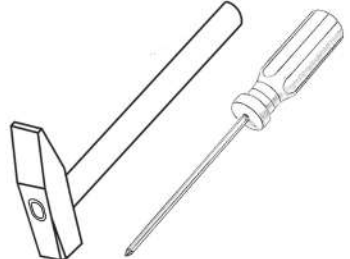


B0502

B0503

B0504

B0501



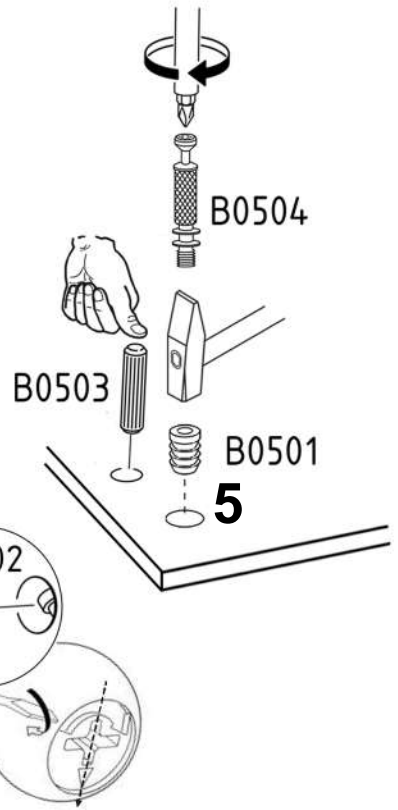
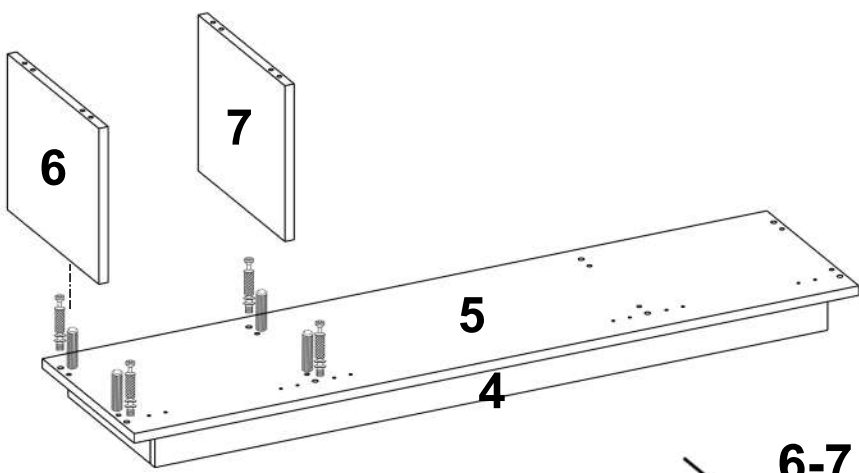
x6

x6

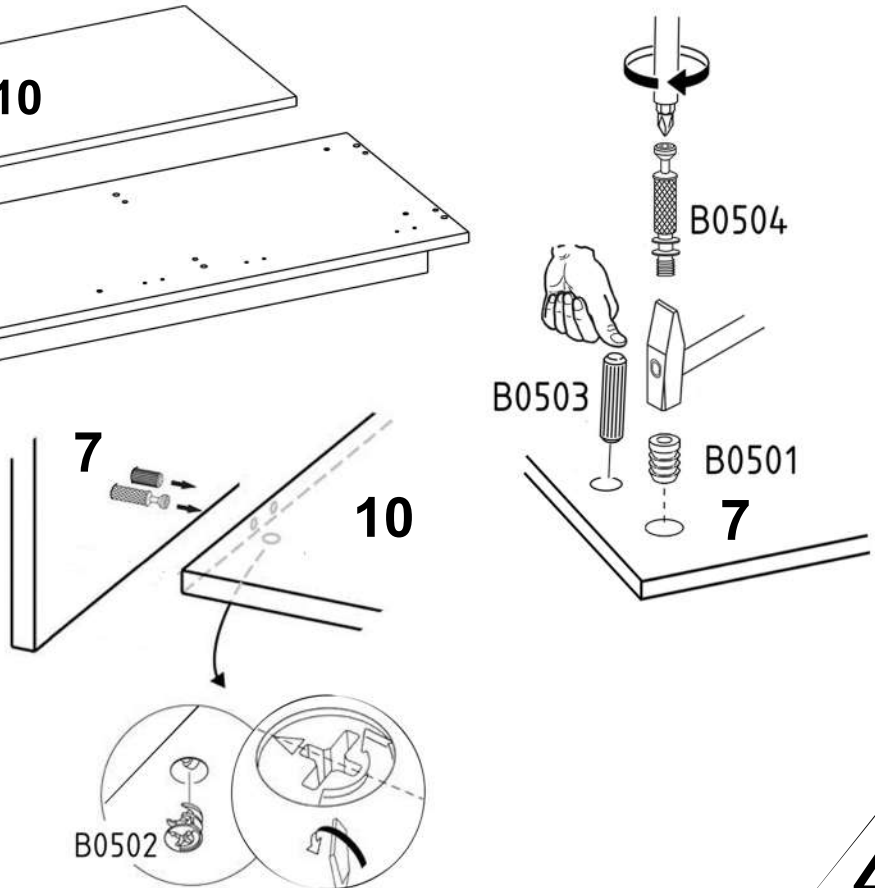
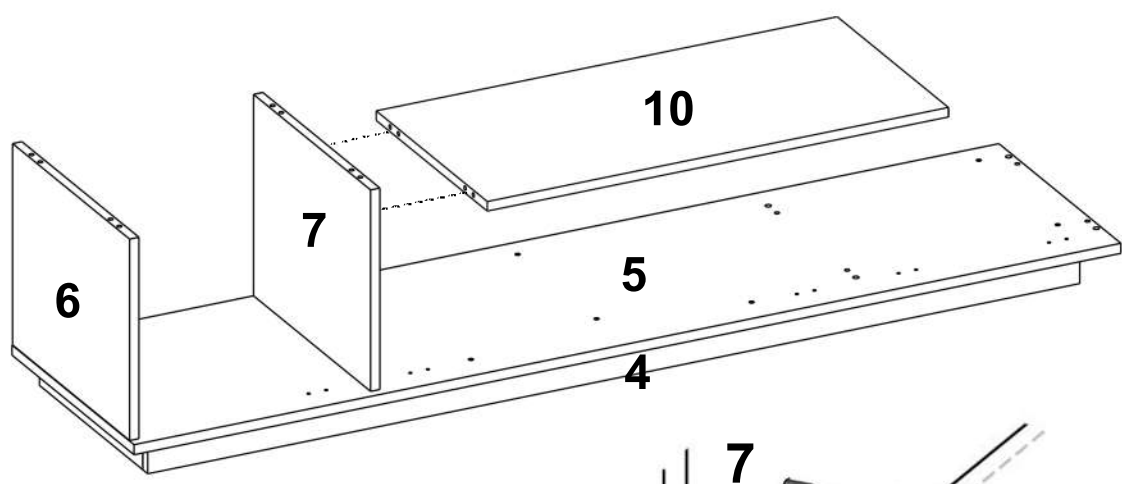
x6

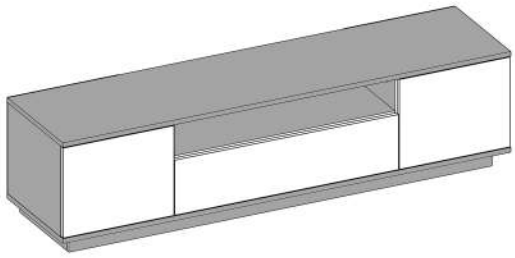
x6

3



4





B0502



x14

B0503



x14

B0504

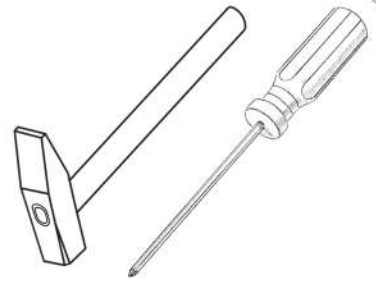


x14

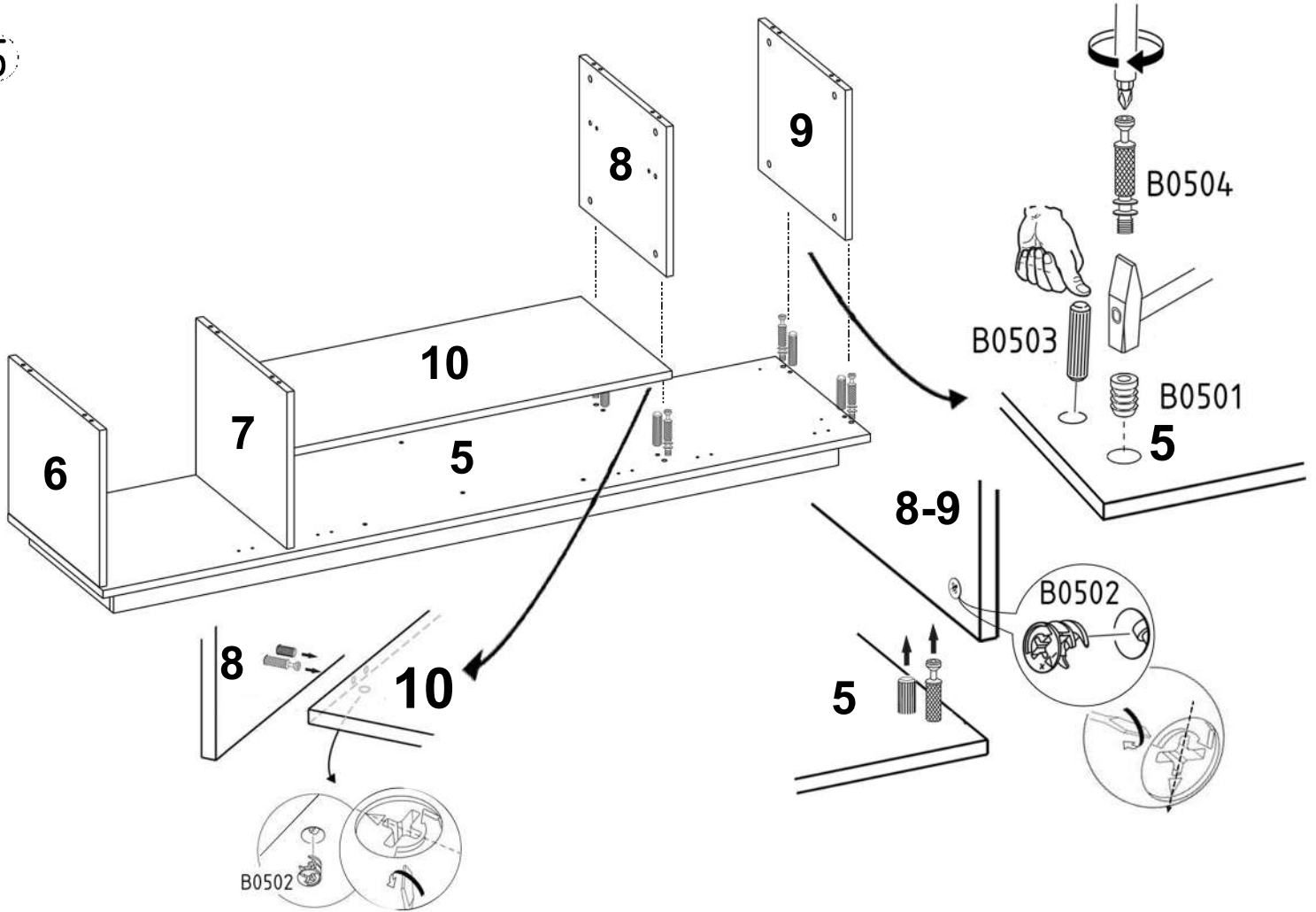
B0501



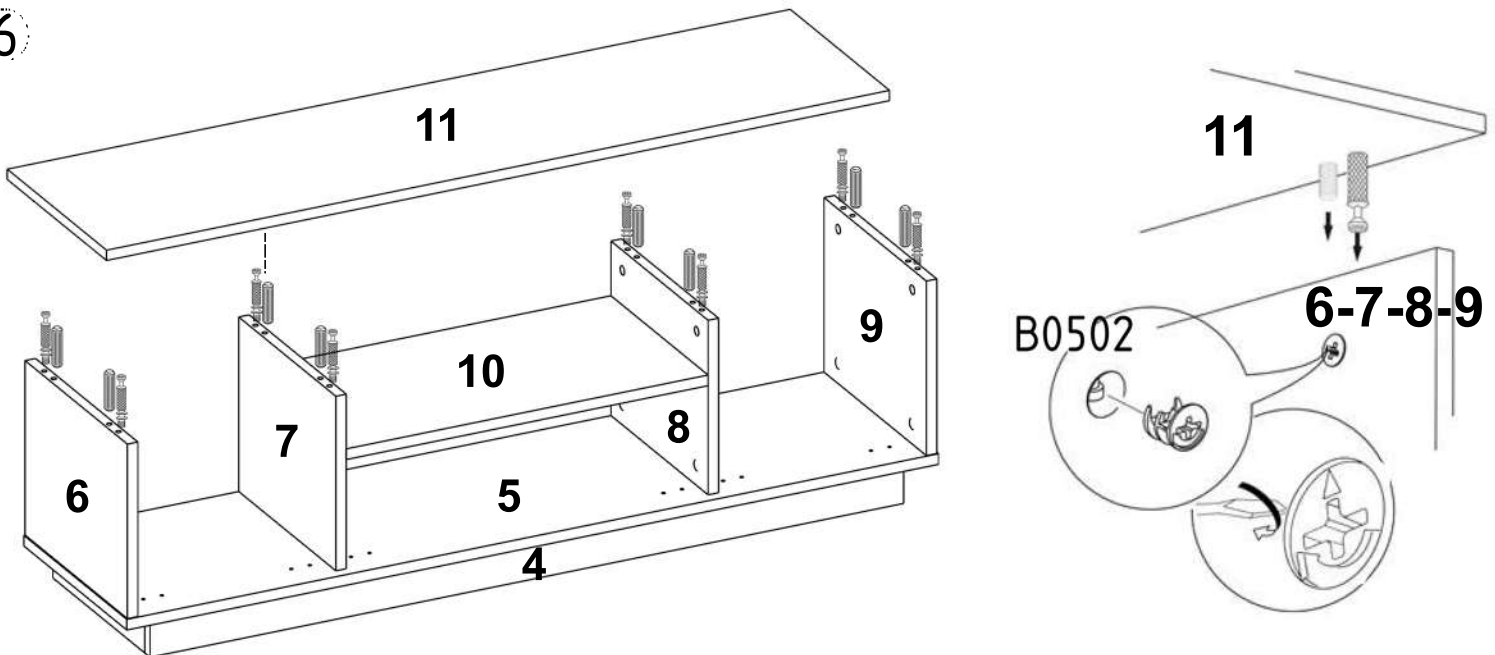
x14

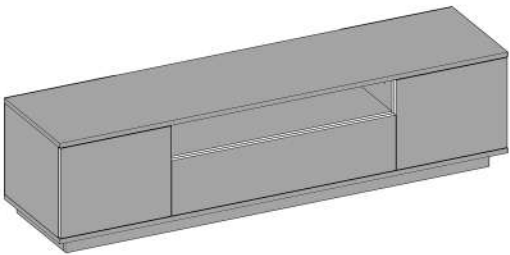


5



6



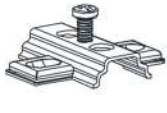


B0103



x6

B0105



x6

B0301

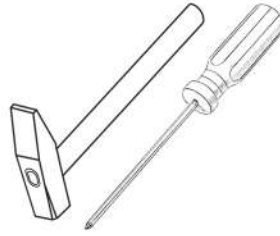


x32

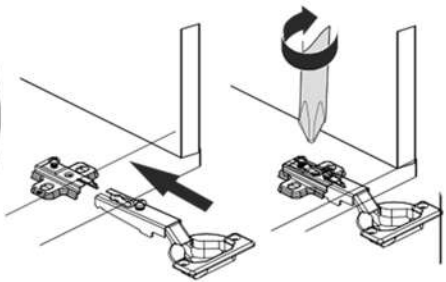
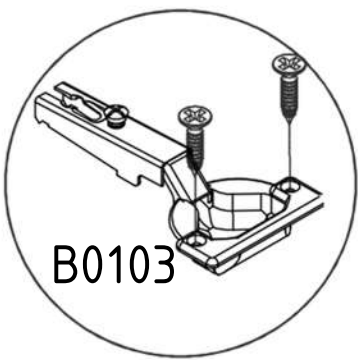
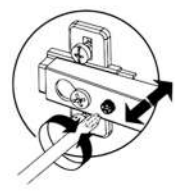
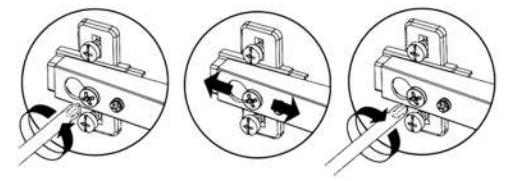
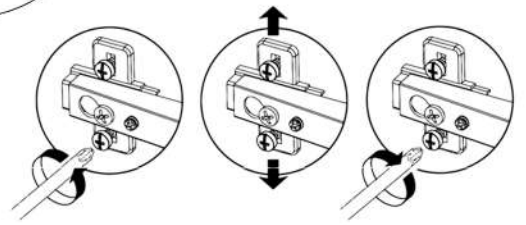
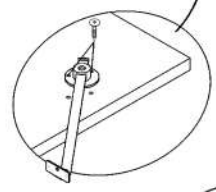
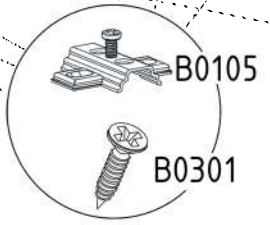
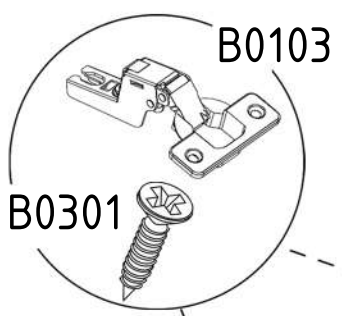
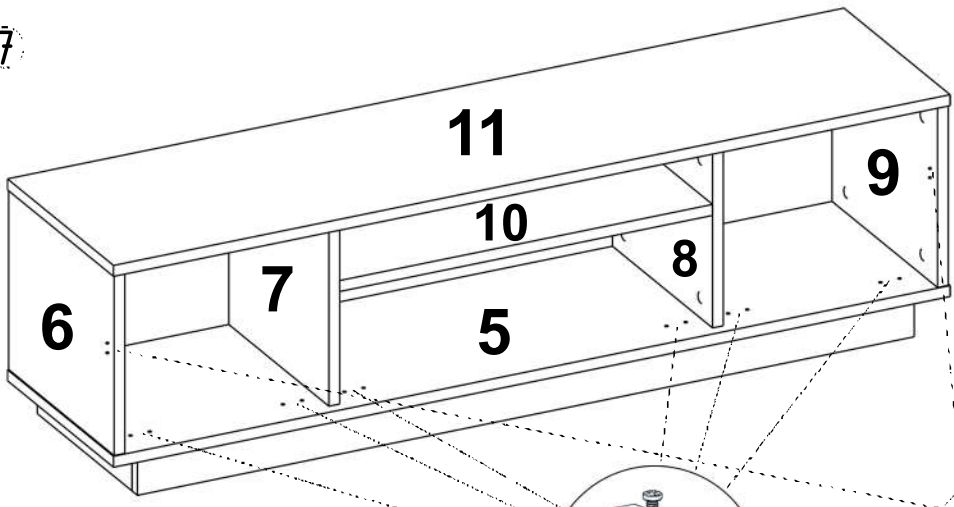
B1102

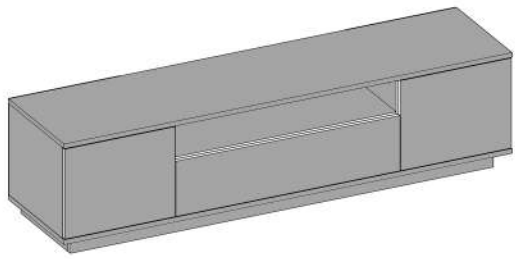


x2



7





B0318



x45

B1403

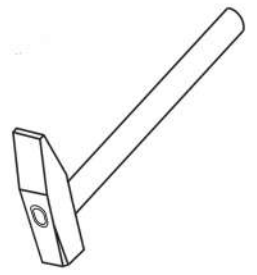


x3

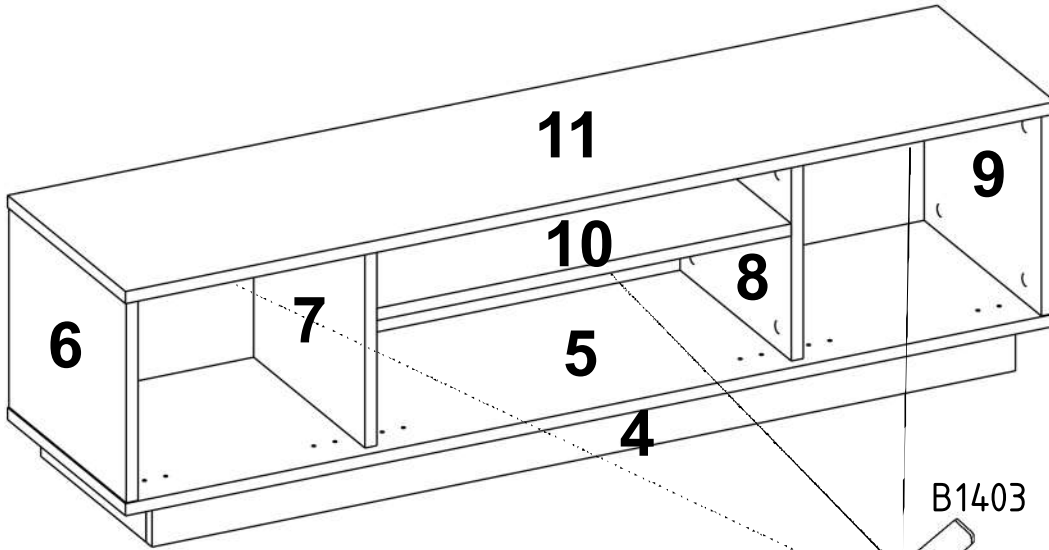
B0301



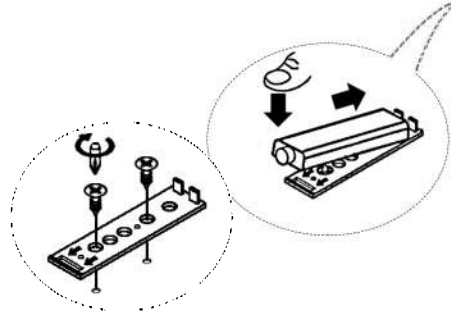
x6



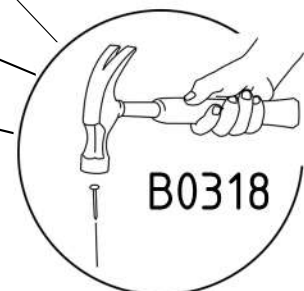
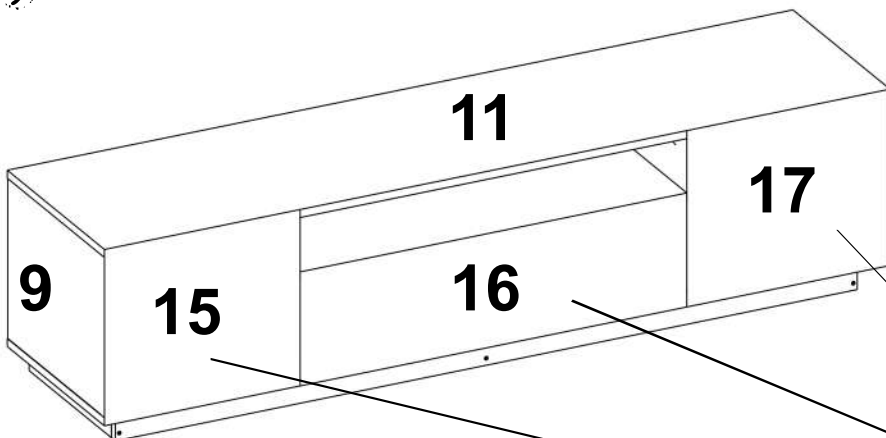
8



B1403



9



B0318