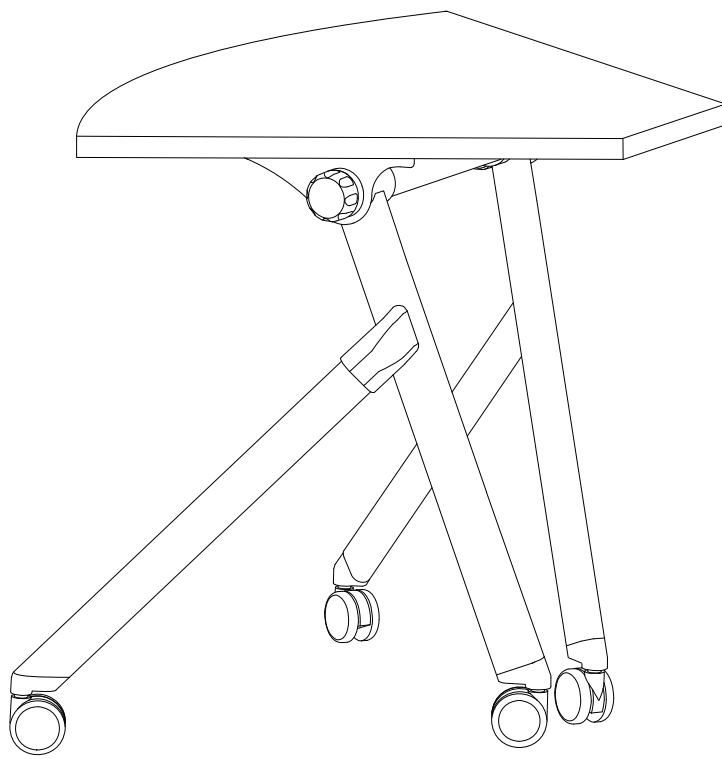
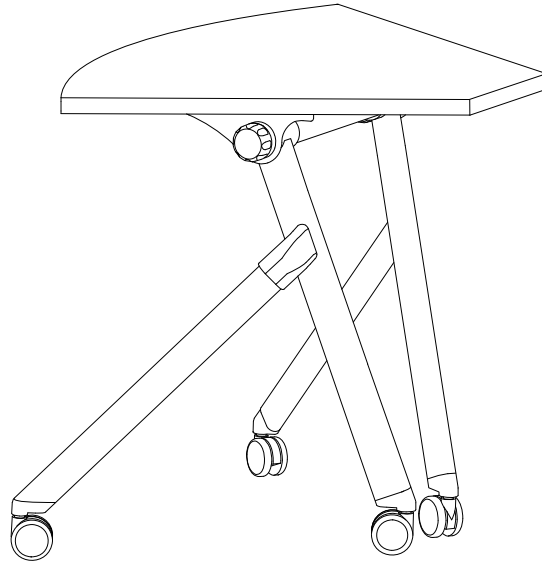


BENDI






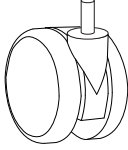

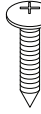
Assembly instructions for the table, including tool requirements, time estimate, and safety warnings.

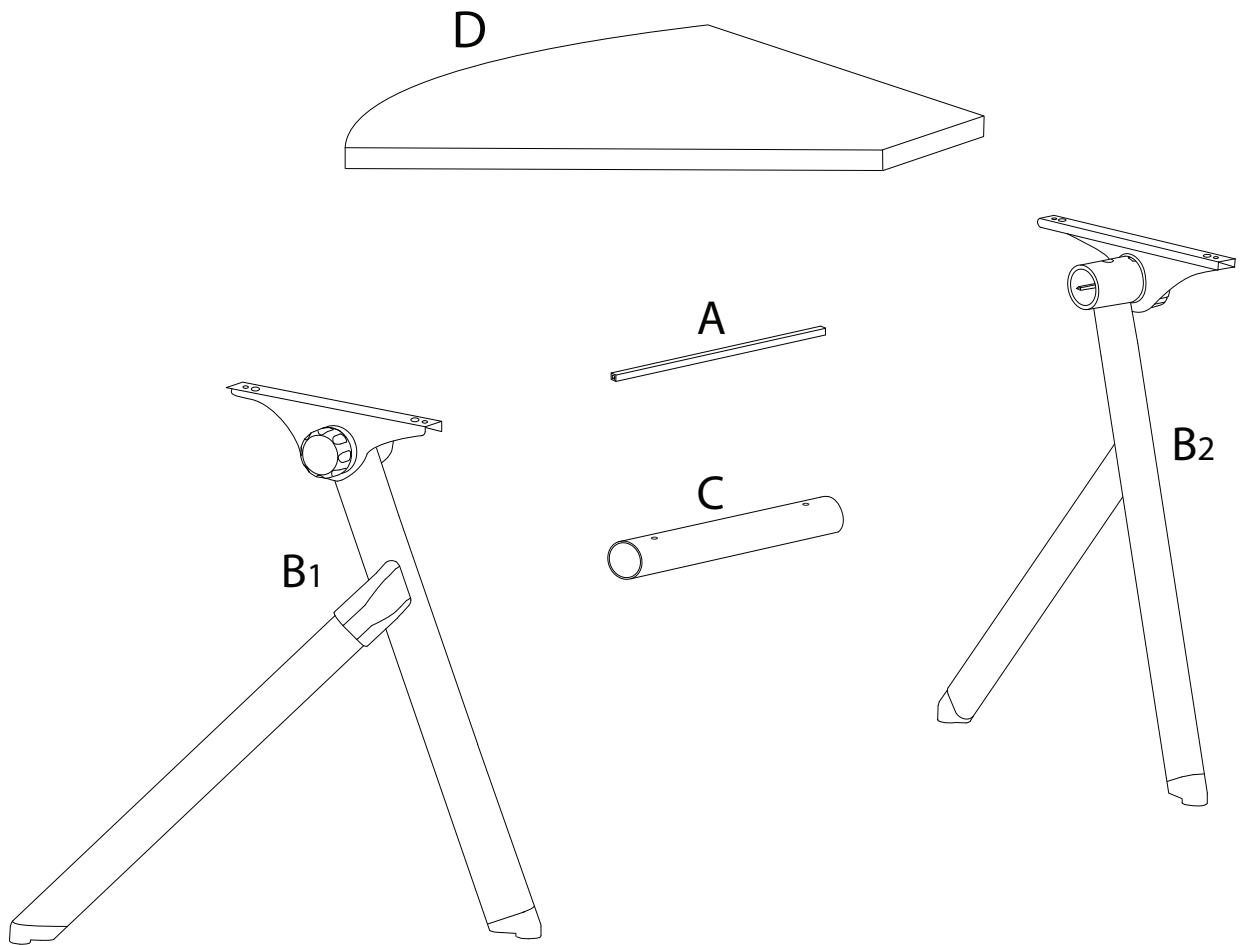
Tools: A circular icon contains a screwdriver and an Allen key. To the right is a power drill icon.


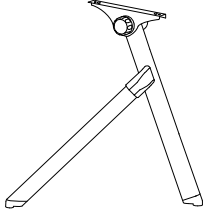
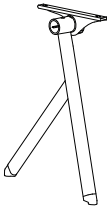
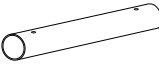

Time: A clock icon with the text "20'" below it, indicating a 20-minute assembly time.

Warnings: Two triangular warning icons with exclamation marks. The first is connected to the tools section. The second is connected to the safety icon.

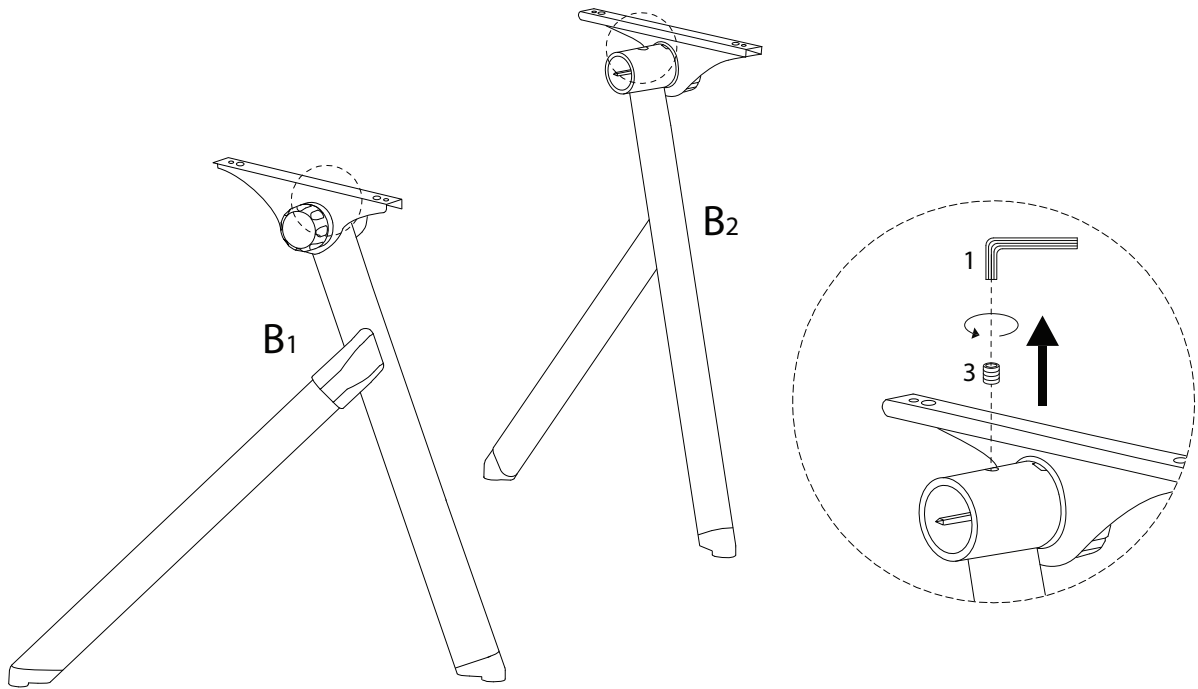
Safety: A stick figure icon with the number "1" below it, indicating that one person is required for assembly.

1	2	3	4
		 M10 x 10	 M5 x 20
x 1	x 4	x 2	x 4

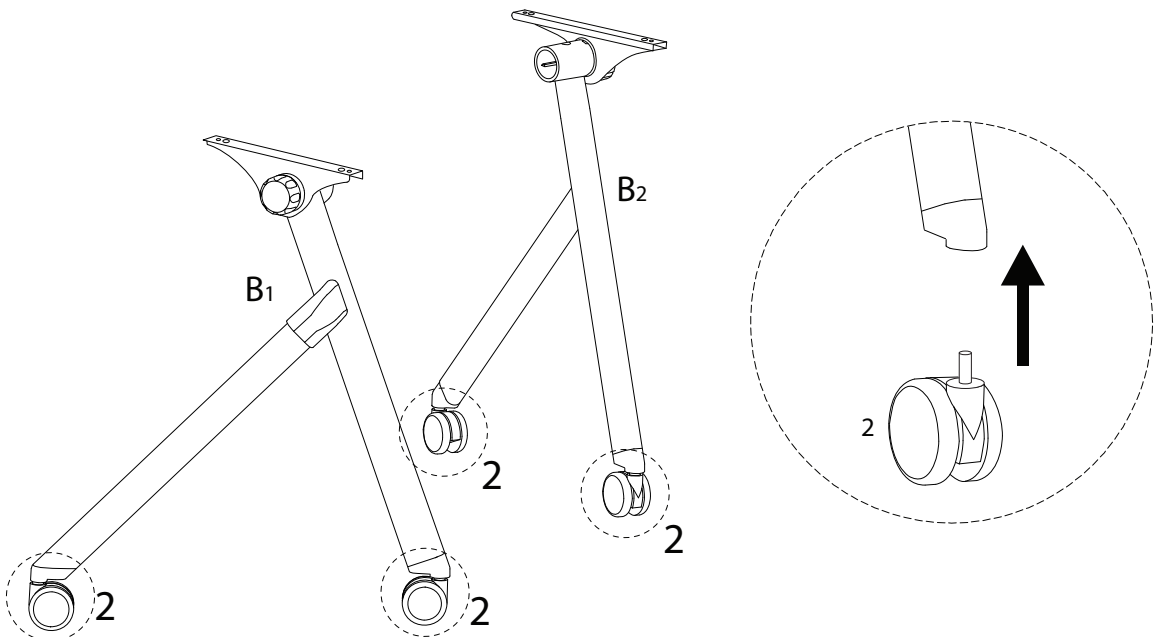
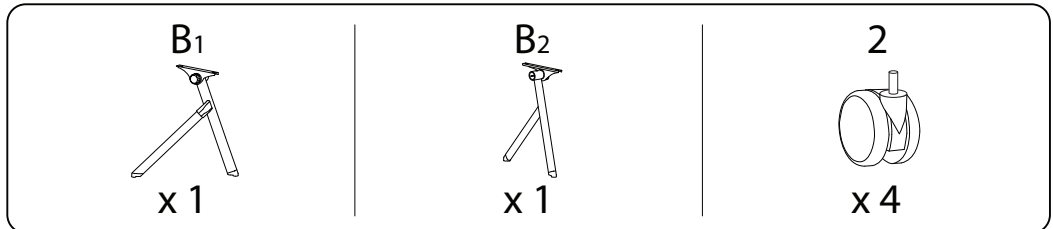


A	B ₁	B ₂	C	D
				
x 1	x 1	x 1	x 1	x 1

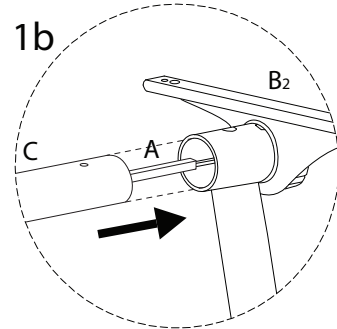
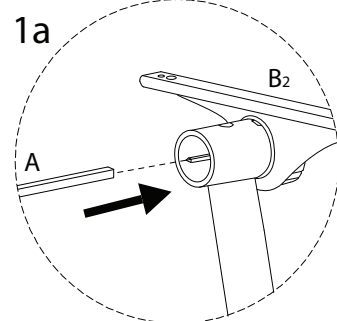
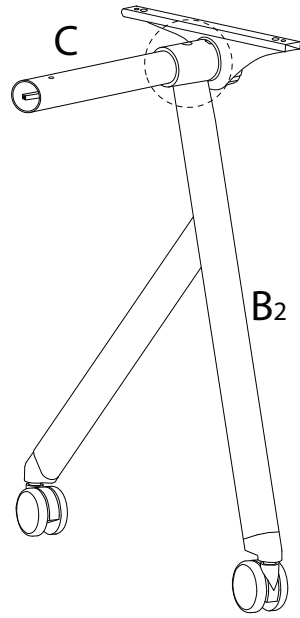
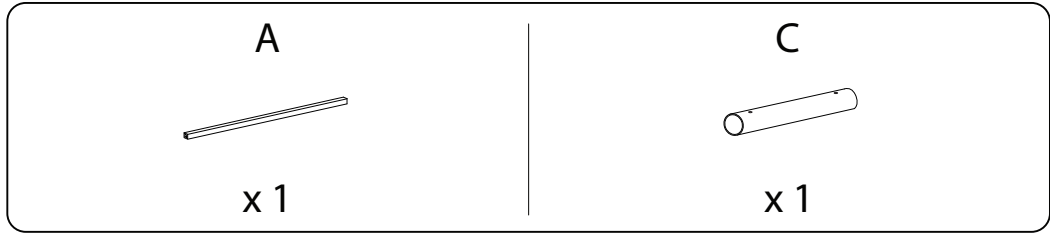
!



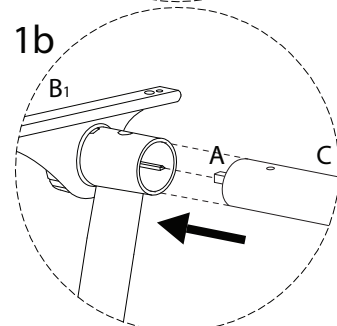
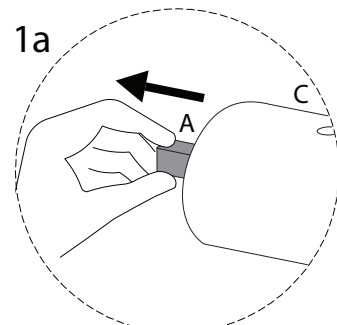
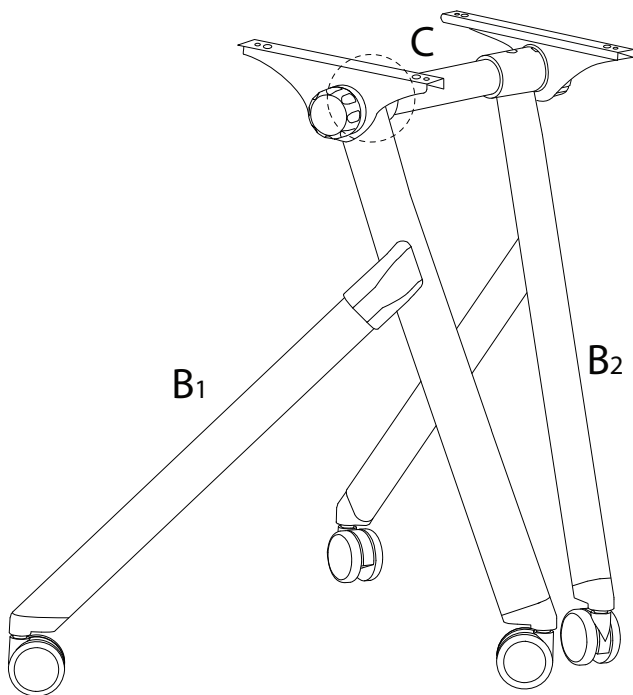
1



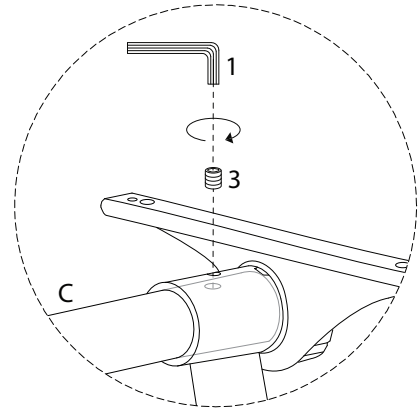
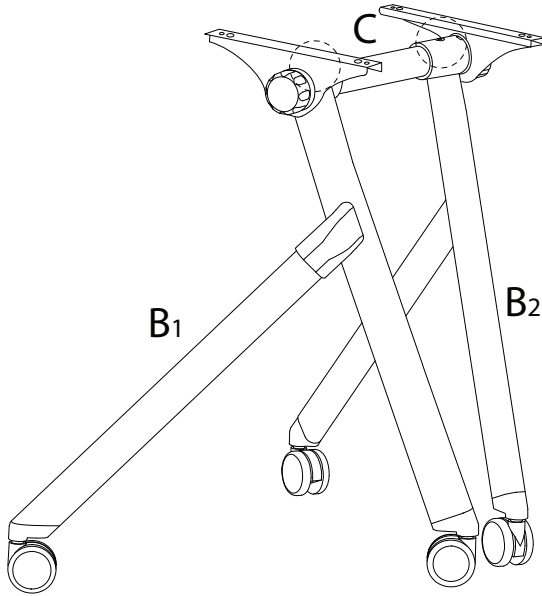
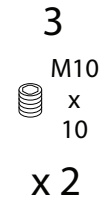
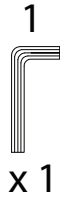
2



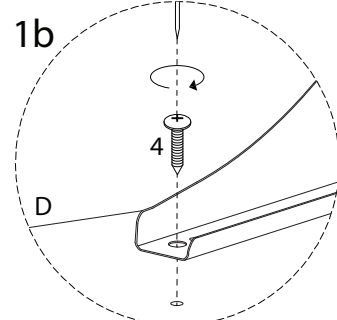
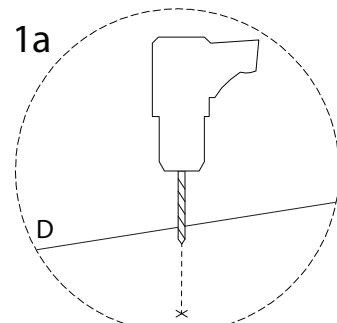
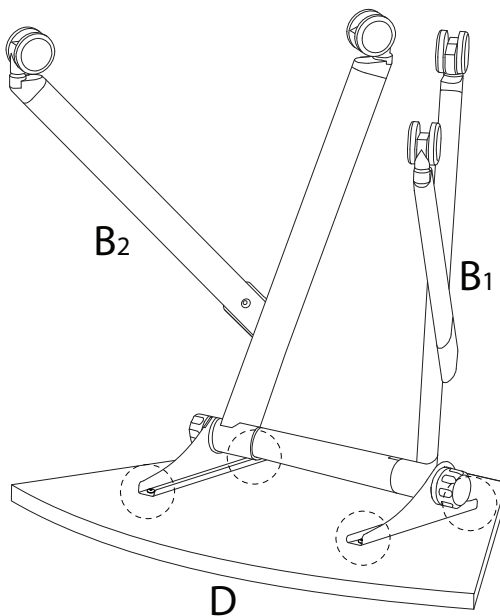
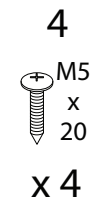
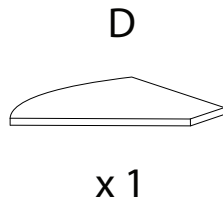
3



4



5



!

