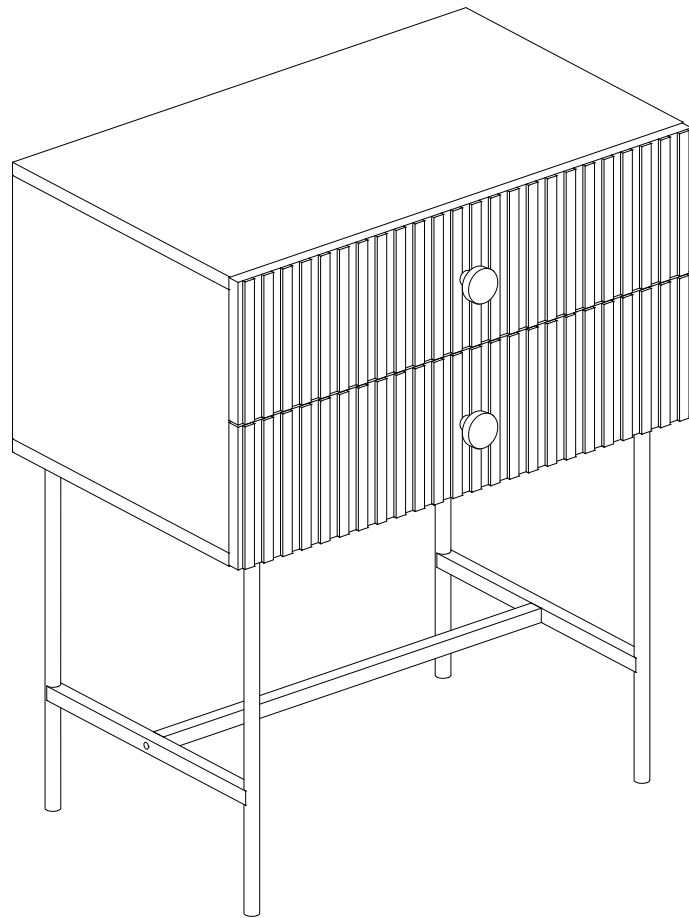
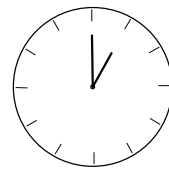
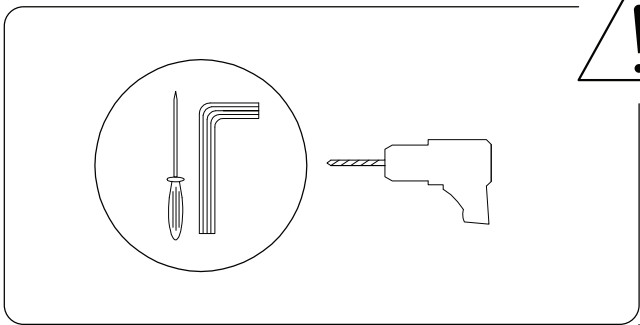
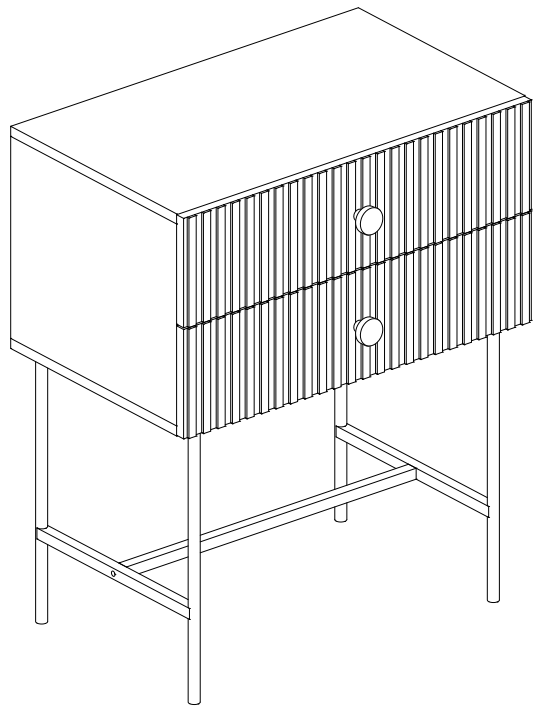
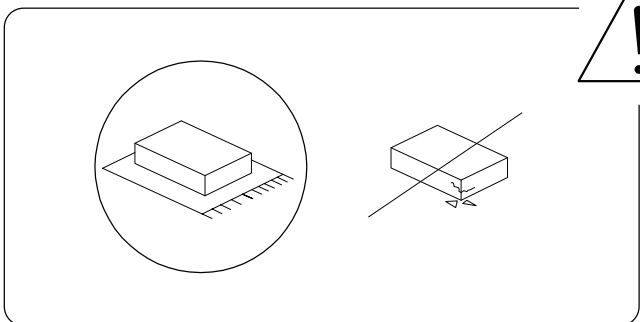


COVENTRY

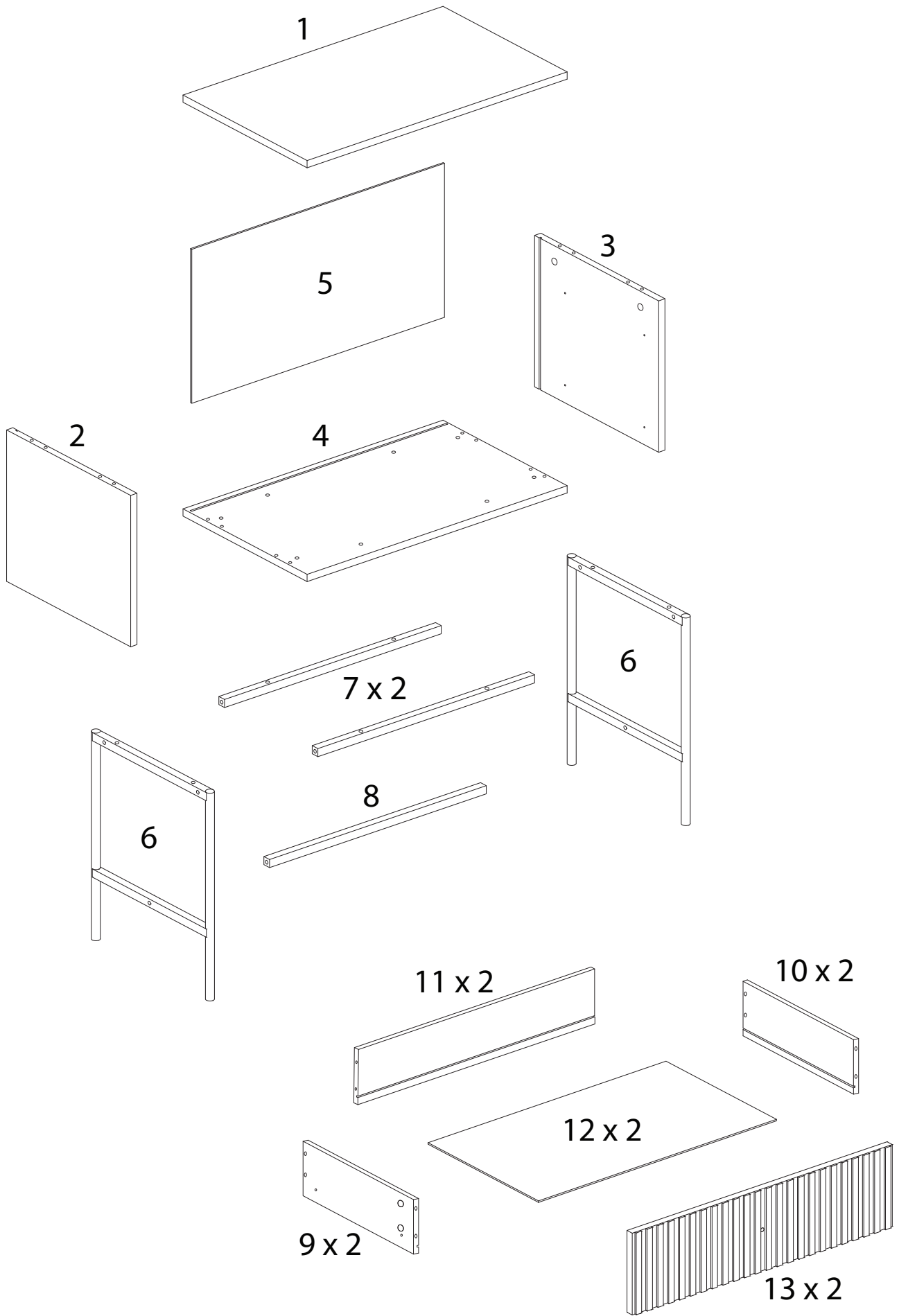




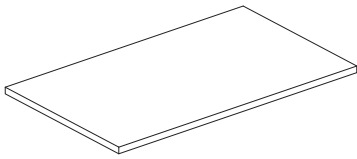
60'



2

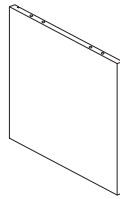


1



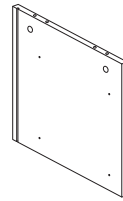
x 1

2



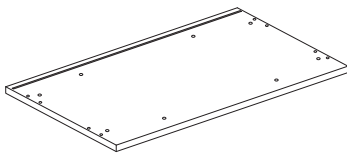
x 1

3



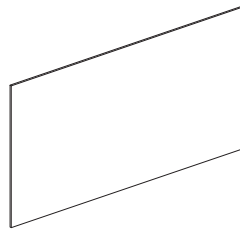
x 1

4



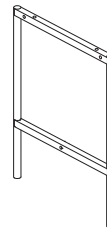
x 1

5



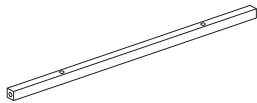
x 1

6



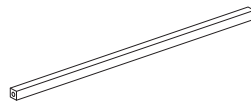
x 2

7



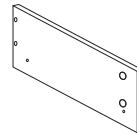
x 2

8



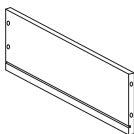
x 1

9



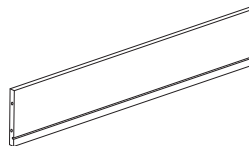
x 2

10



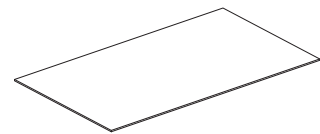
x 2

11



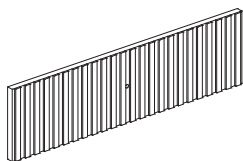
x 2

12



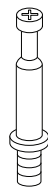
x 2

13



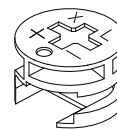
x 2

A



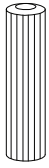
x 12

B



x 12

C



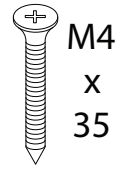
x 8

D



x 16

E



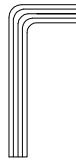
x 13

F



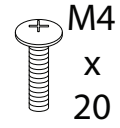
x 14

G



x 1

H



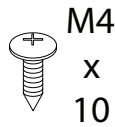
x 2

I



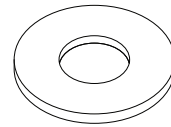
x 2

J



x 1

K



x 2

L



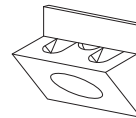
x 1

M



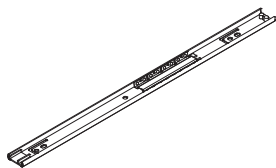
x 4

N



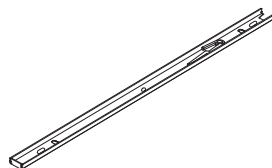
x 4

O



x 4

P



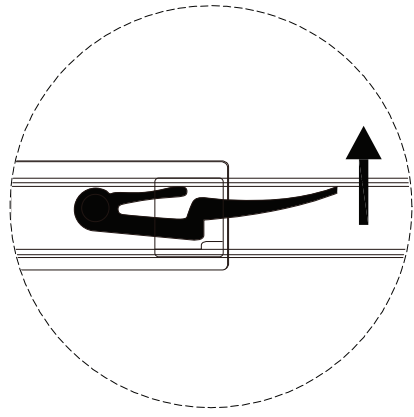
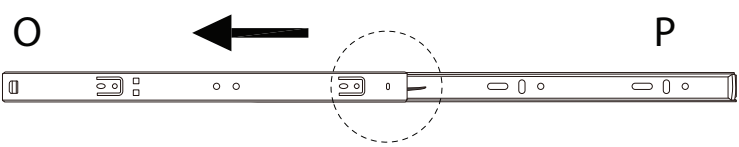
x 4

Q

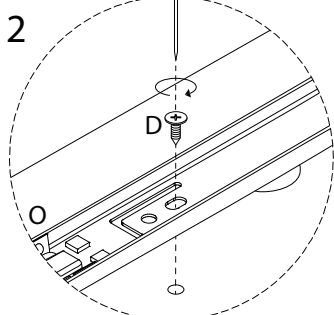
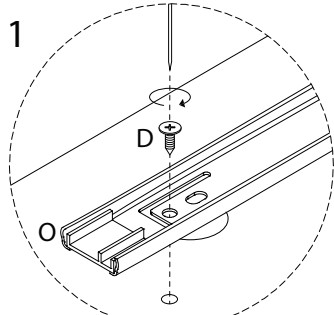
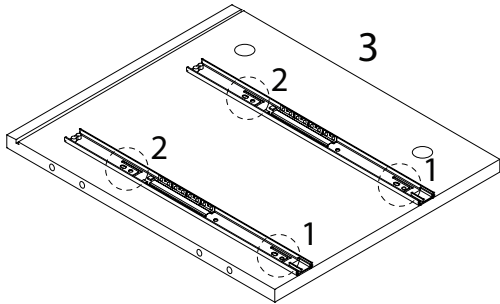
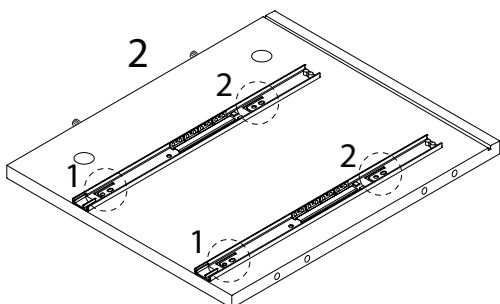
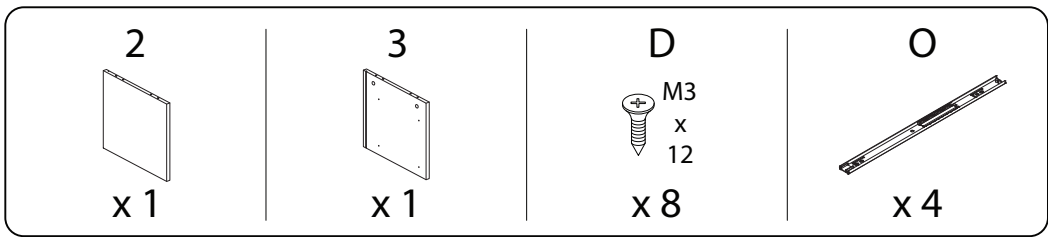


x 1

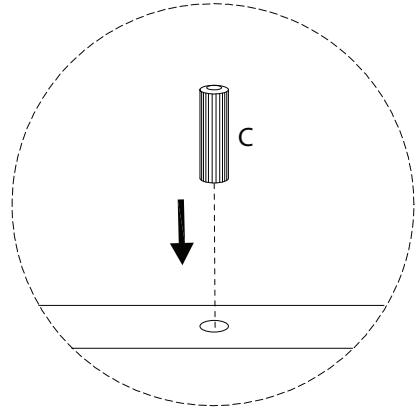
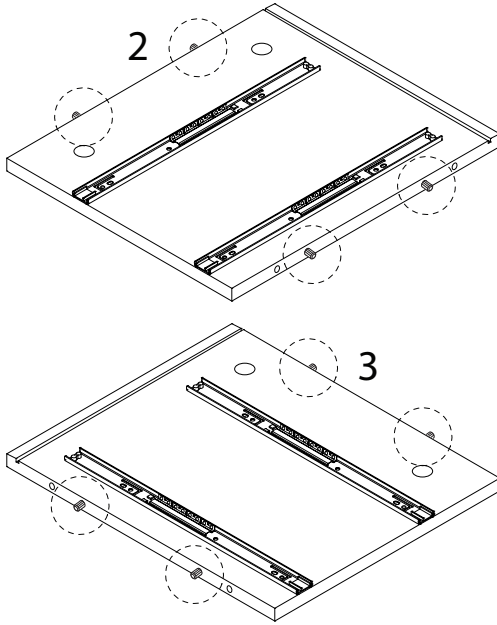
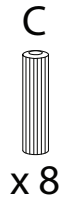
!



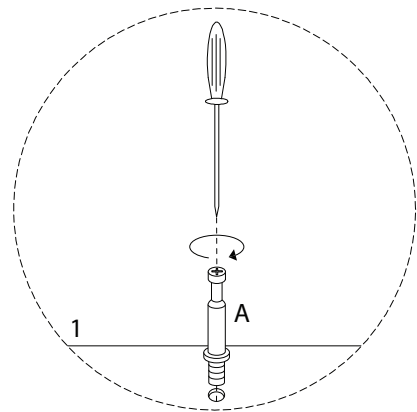
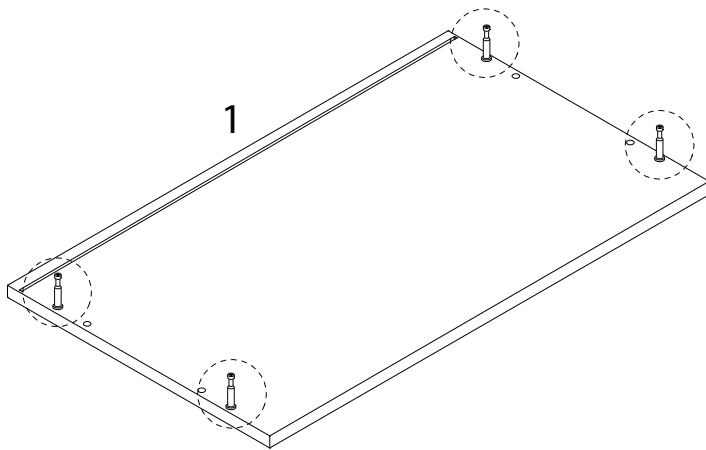
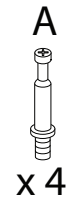
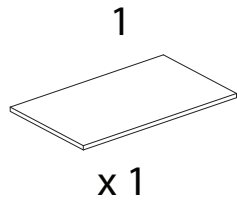
1



2



3

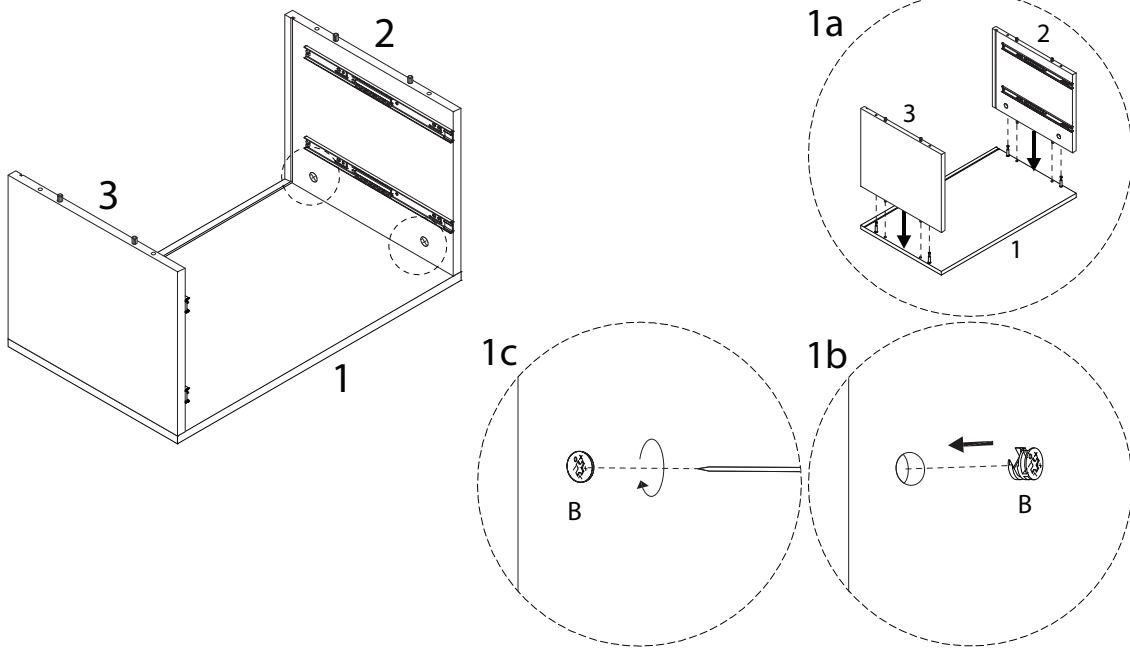


4

B

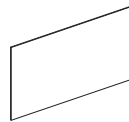


x 4

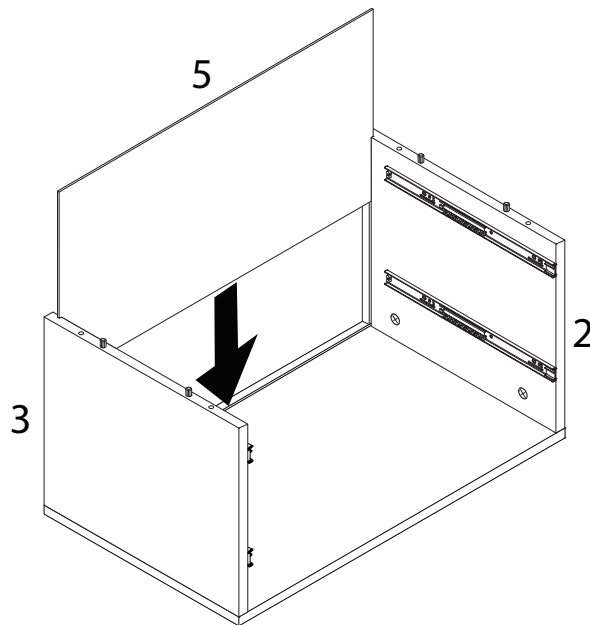


5

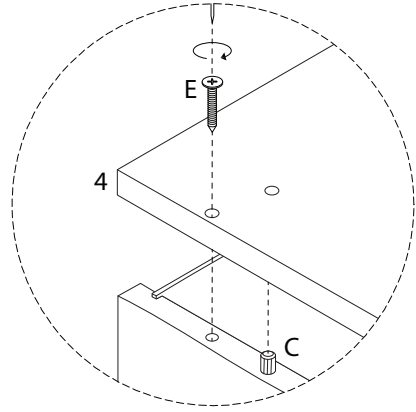
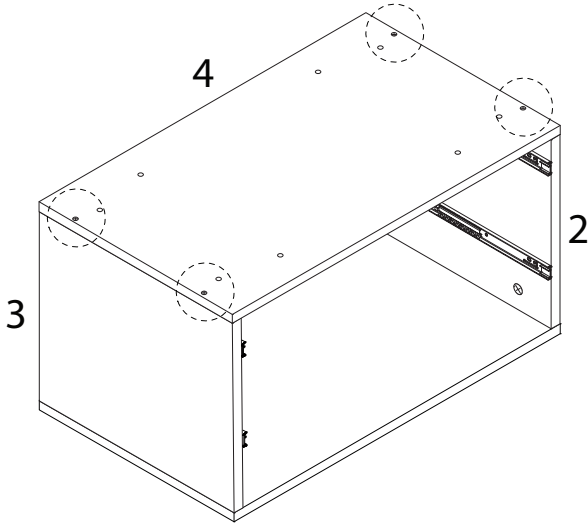
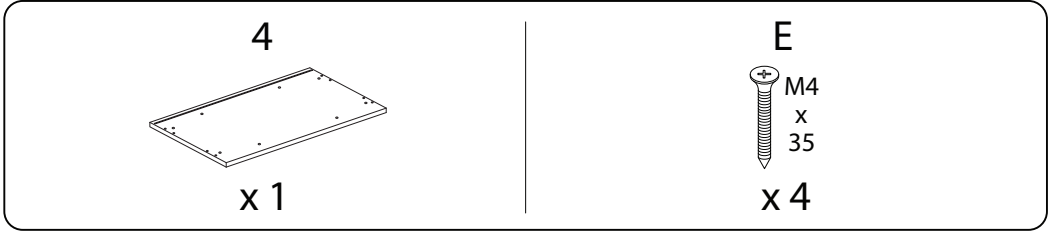
5



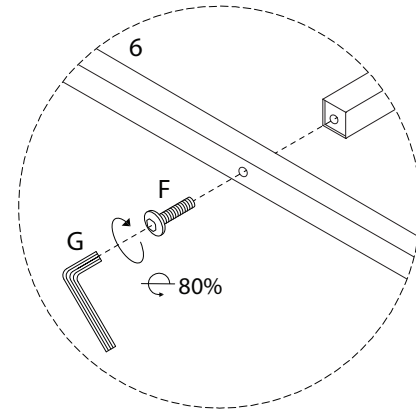
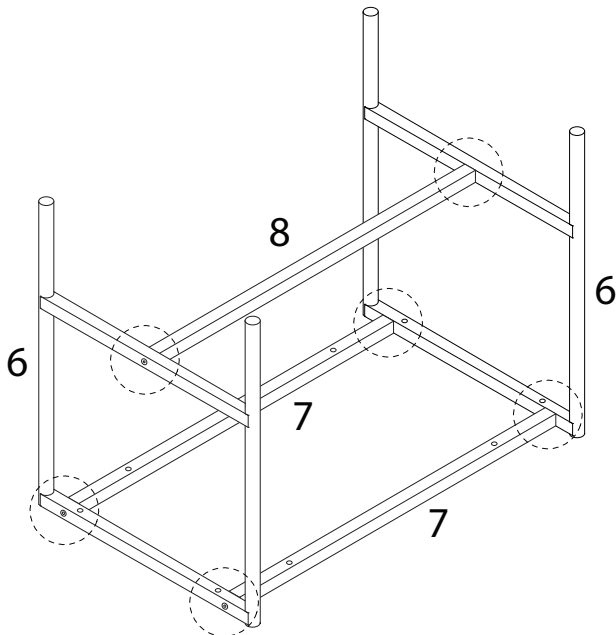
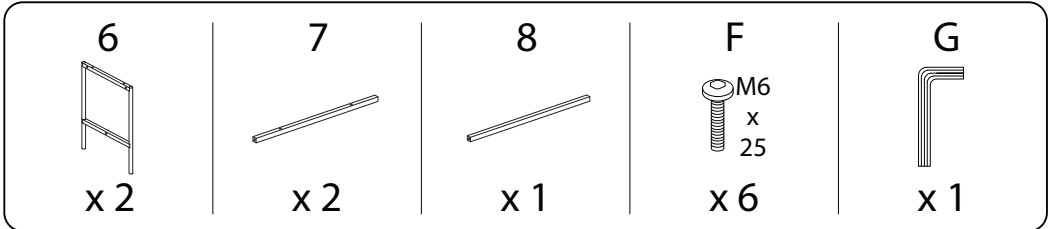
x 1



6



7

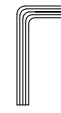


8

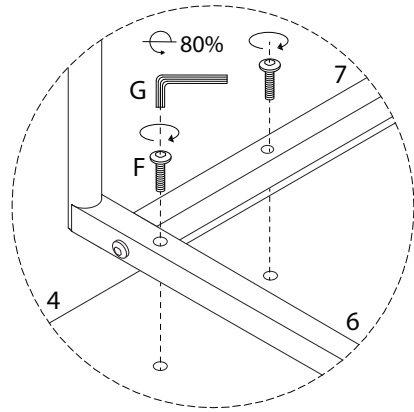
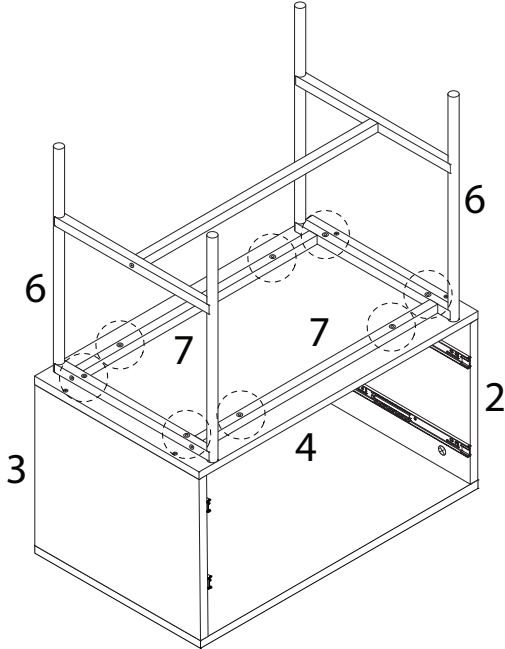
F

M6
x
25
x 8

G

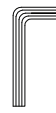


x 1

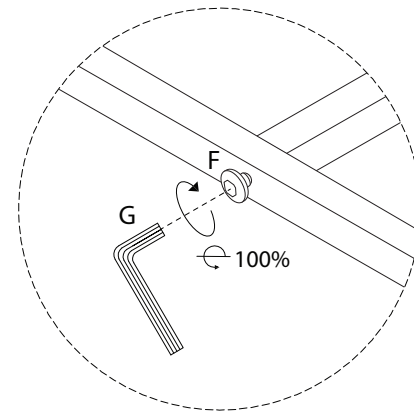
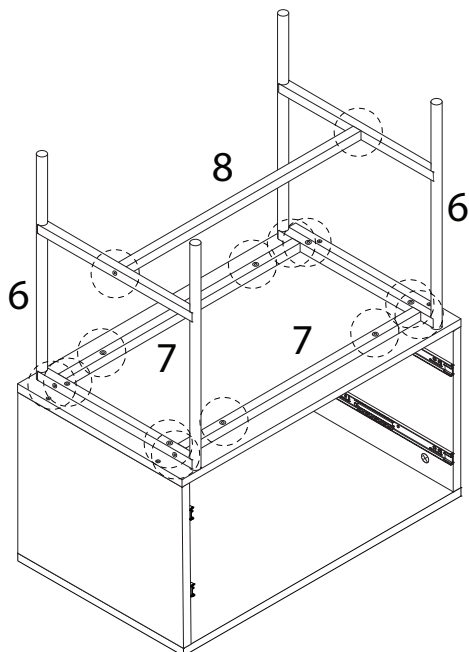


9

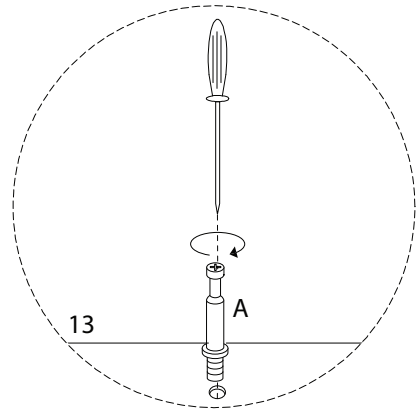
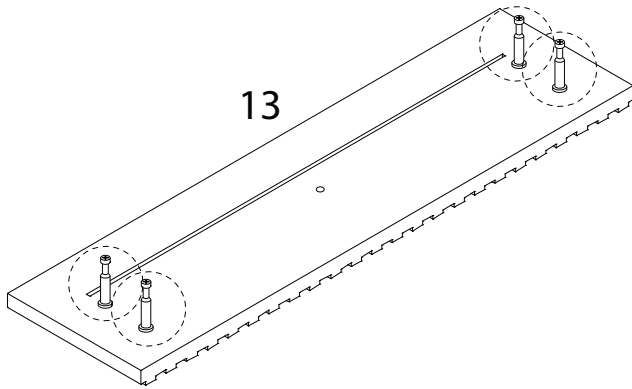
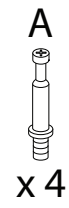
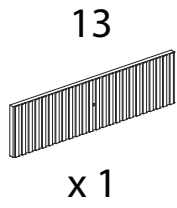
G



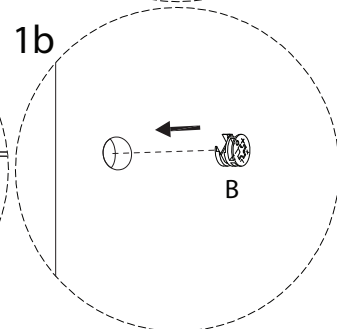
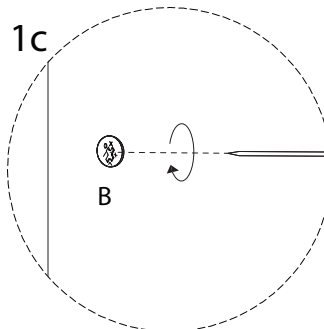
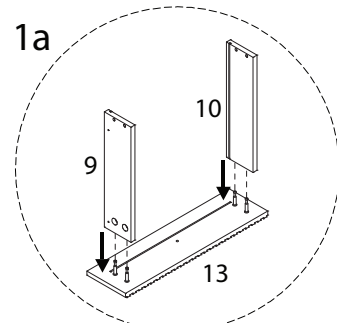
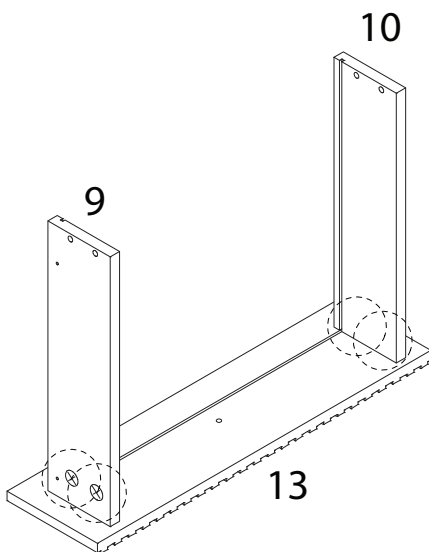
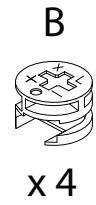
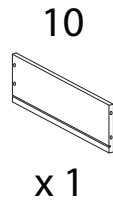
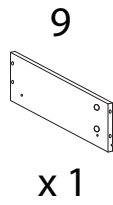
x 1



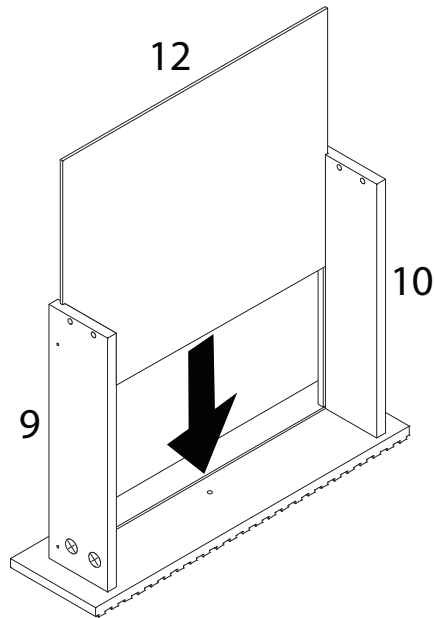
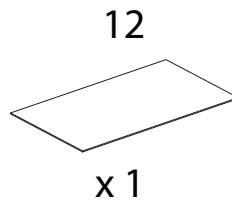
10 x 2



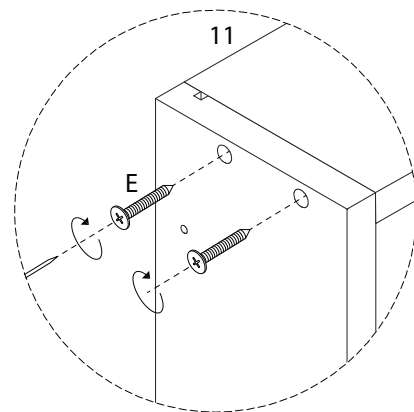
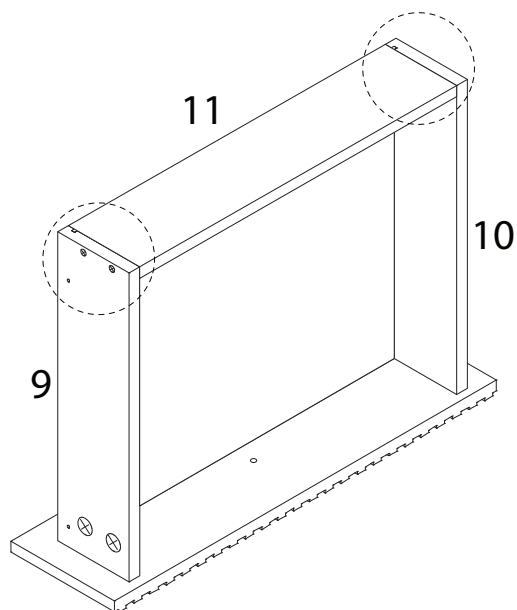
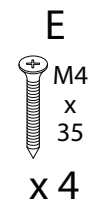
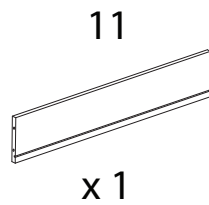
11 x 2



12 x 2



13 x 2



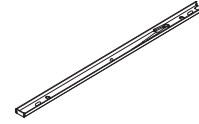
14 x 2

D

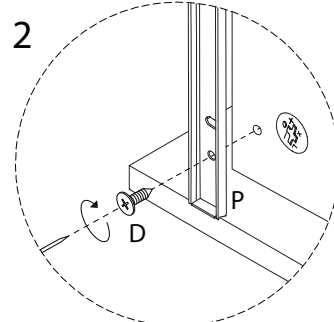
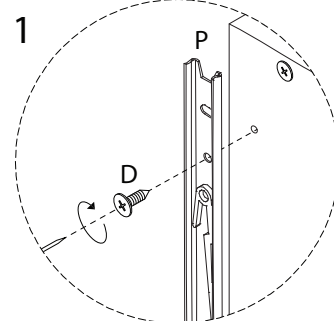
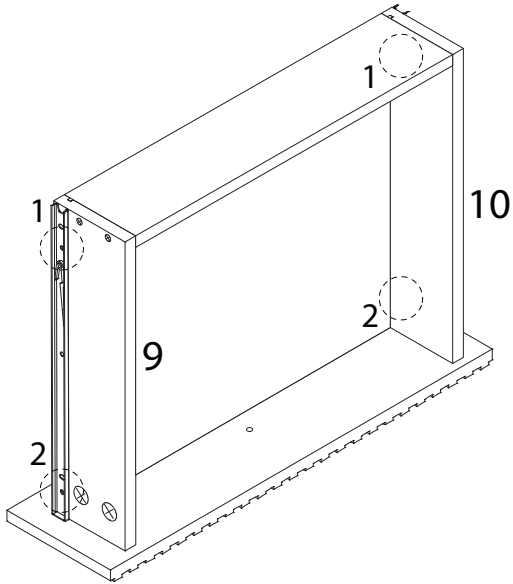


x 4

P



x 2



15 x 2

H

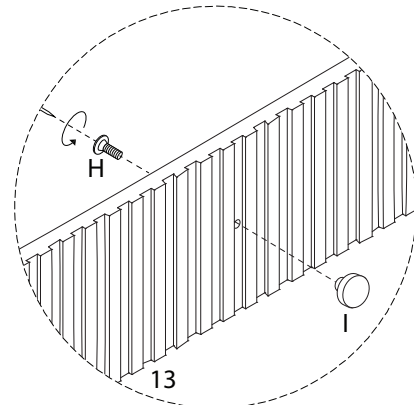
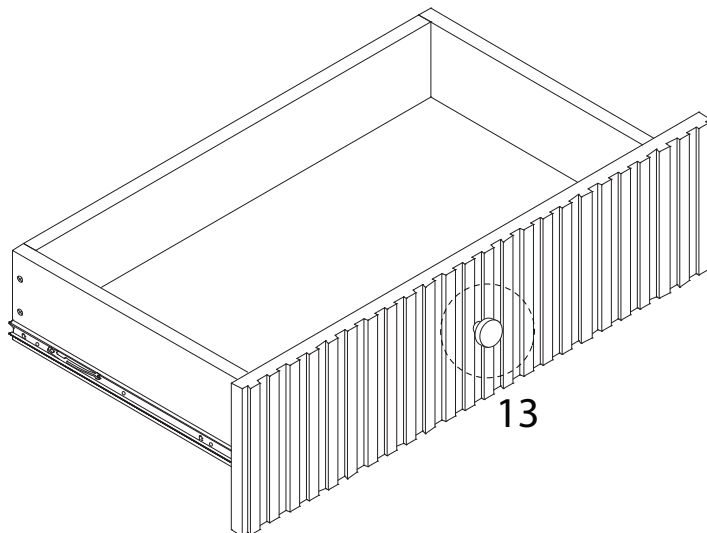


x 1

I



x 1



16

M



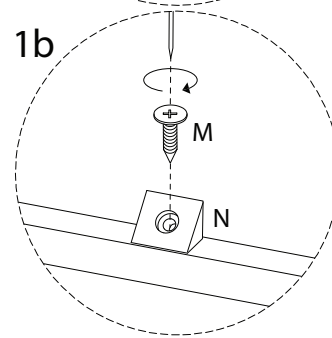
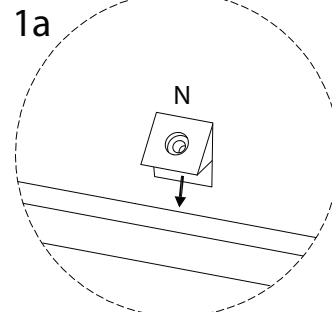
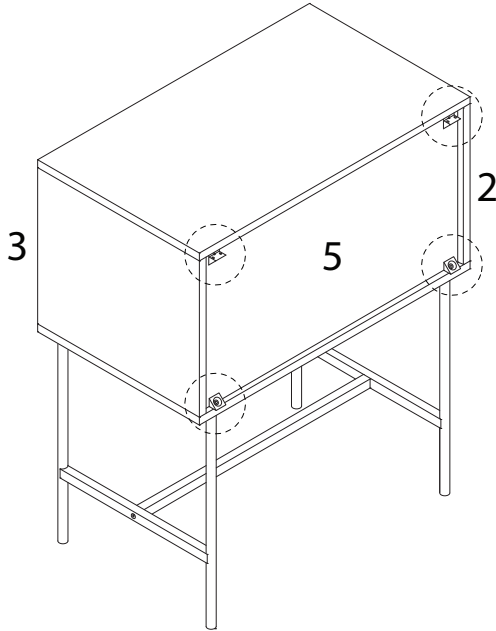
x 16

x 4

N



x 4



17

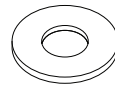
J



x 10

x 1

K

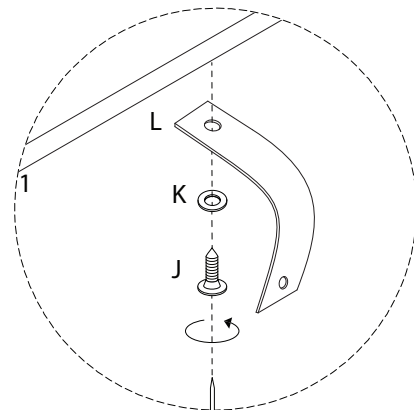
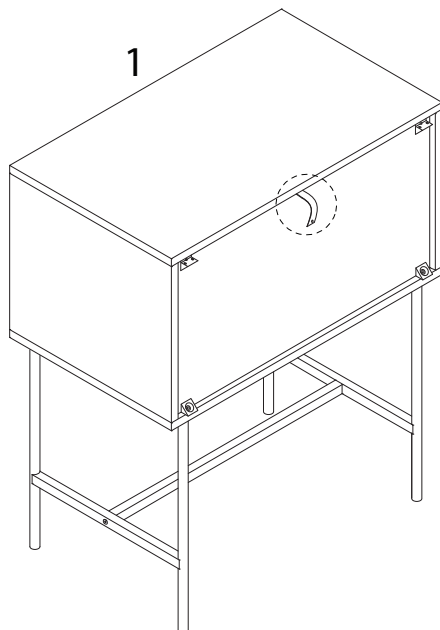


x 1

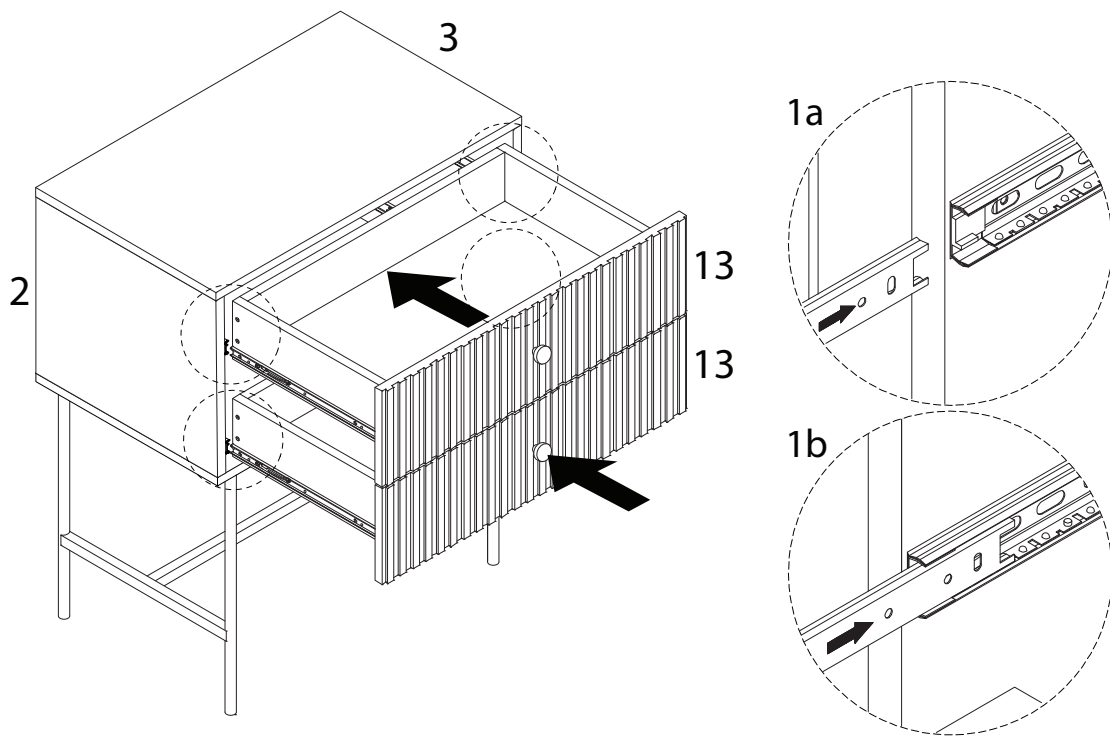
L



x 1



18



19

