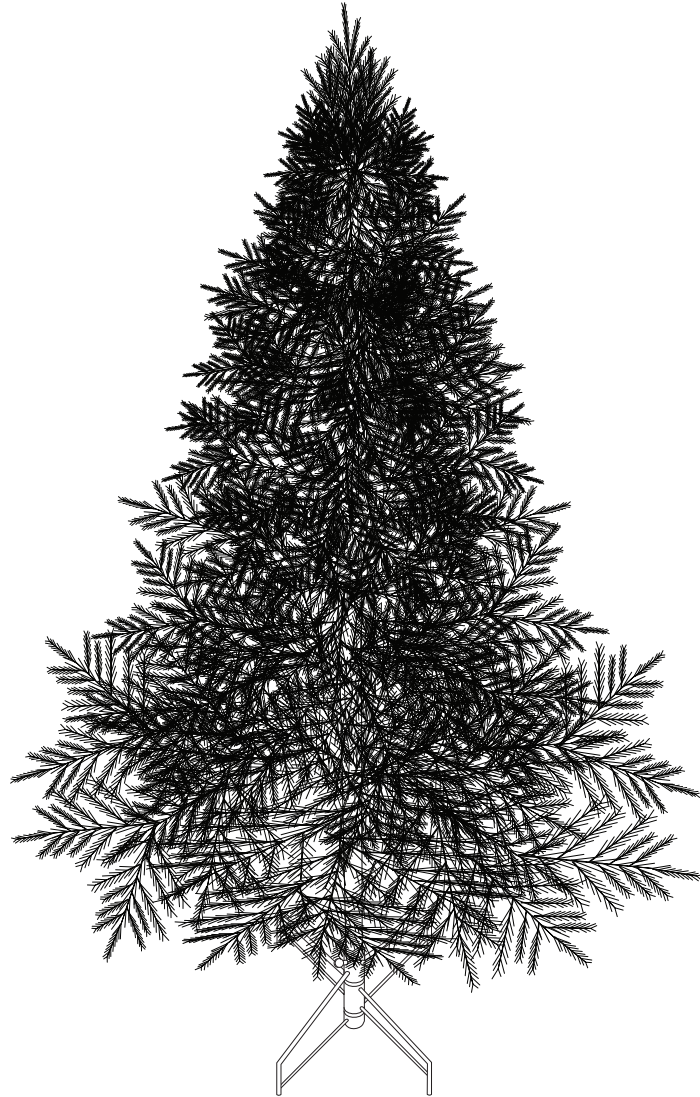


TALBOT



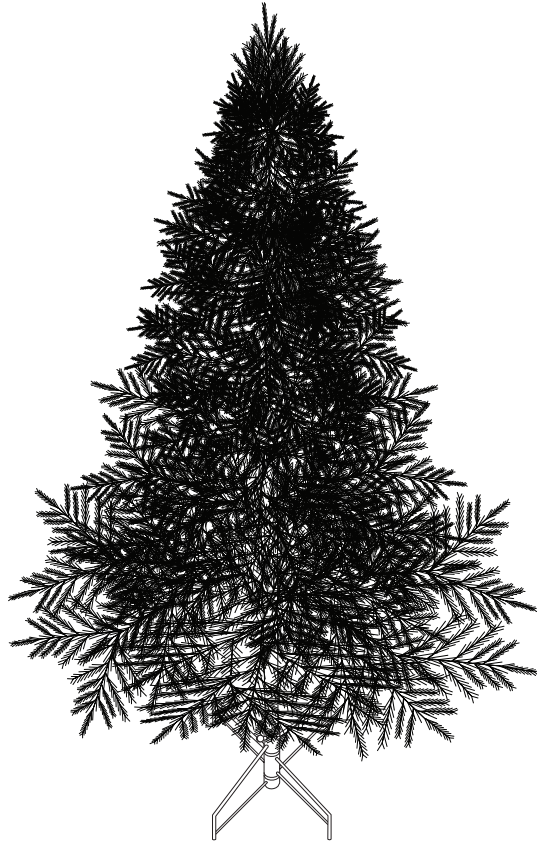
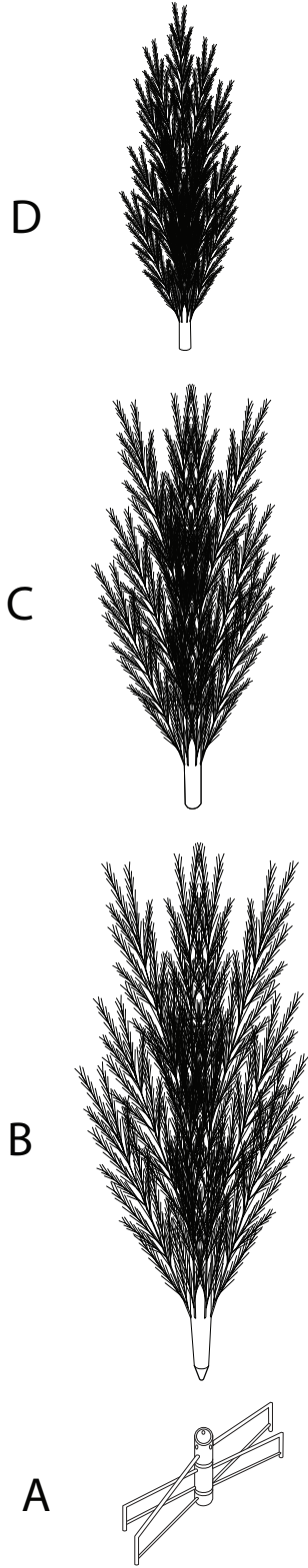
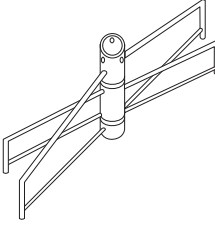



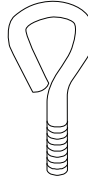


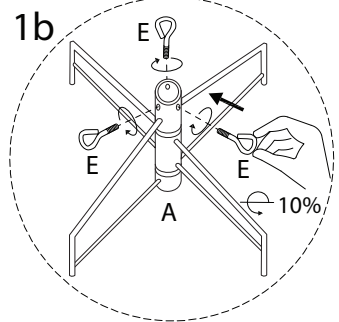
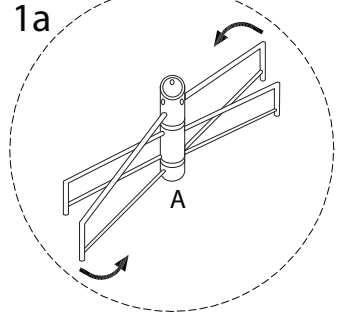
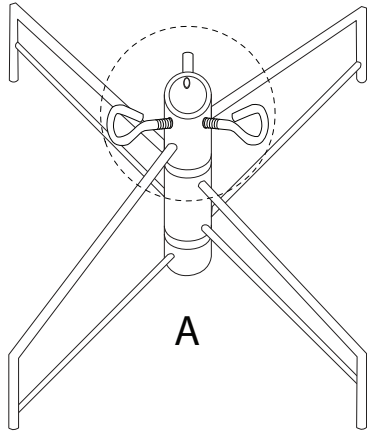
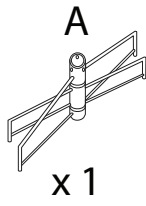
Diagram illustrating safety instructions for the Christmas tree assembly:

- Top Section:** A box containing a crossed-out power drill icon and a warning triangle with an exclamation mark. To the right is a circular arrow icon with the number **5'** below it, indicating a 5-foot height limit.
- Bottom Section:** A box containing a circular inset showing a tree base on a rug, a crossed-out icon of a tree base on a hard floor, and a warning triangle with an exclamation mark. To the right is a person icon with the number **2** below it, indicating that two people are required for assembly.

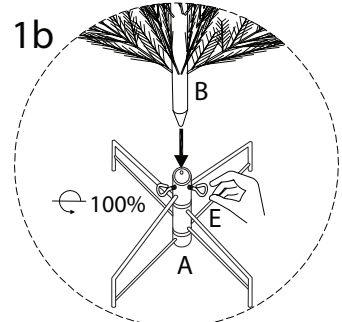
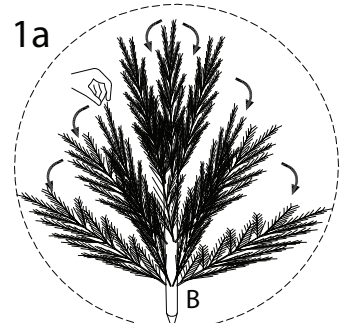
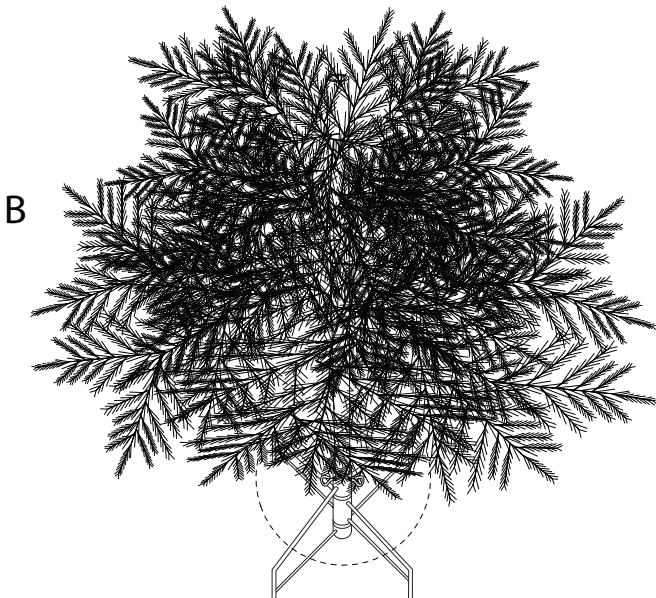


<p>A</p>  <p>x 1</p>	<p>B</p>  <p>x 1</p>	<p>C</p>  <p>x 1</p>	<p>D</p>  <p>x 1</p>	<p>E</p>  <p>x 3</p>
---	---	---	---	---

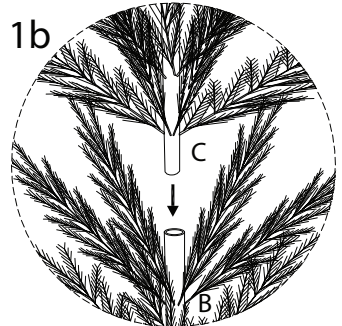
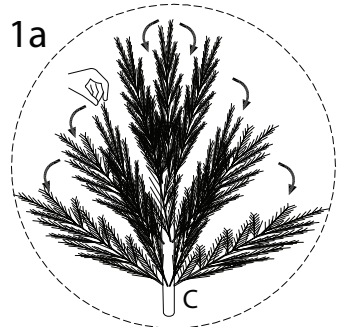
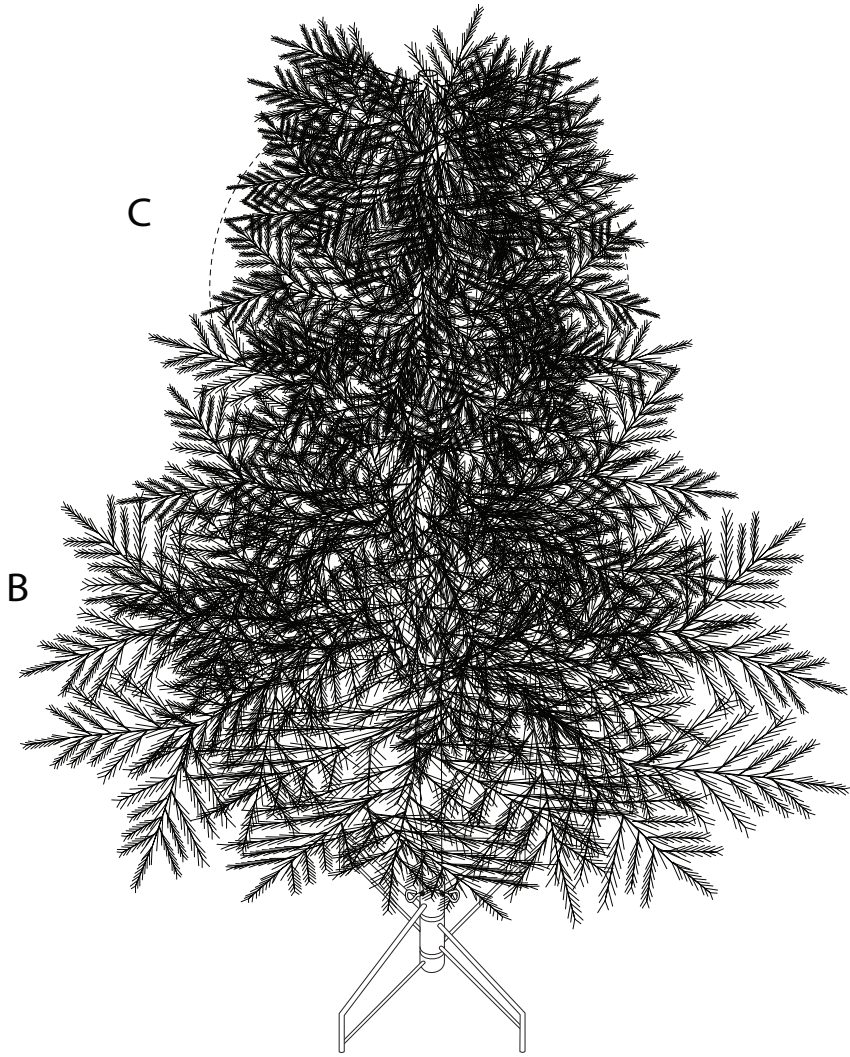
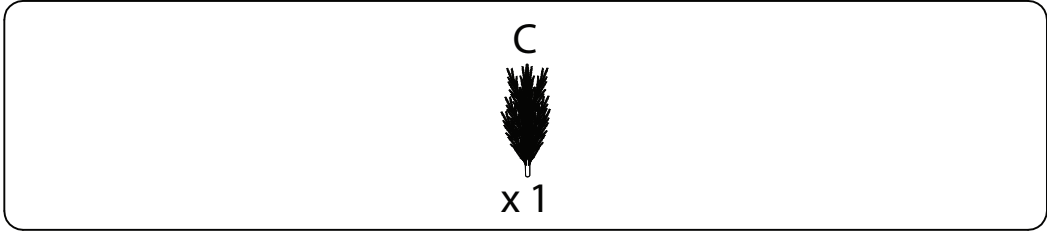
1



2



3



4

