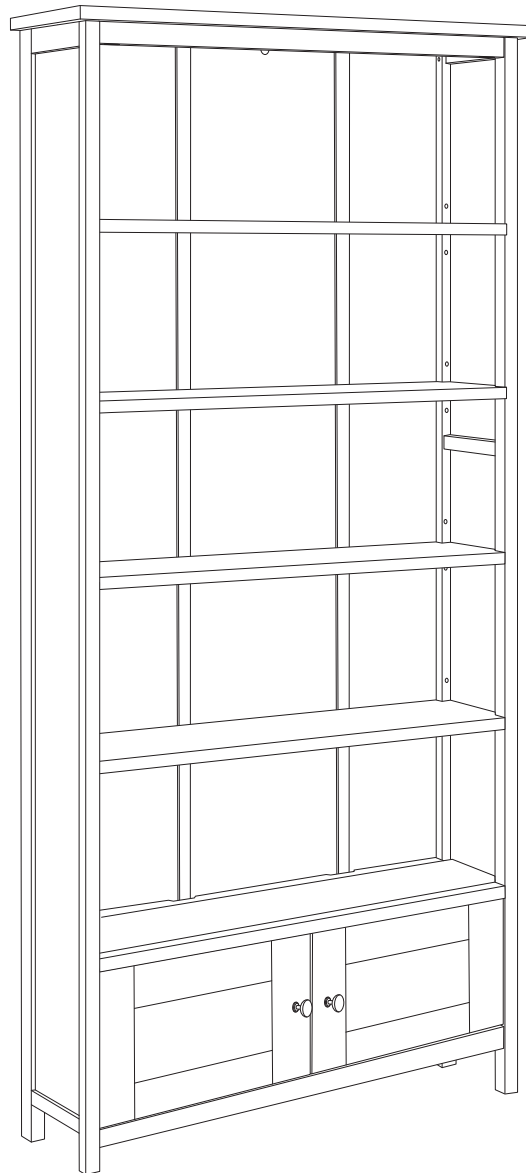
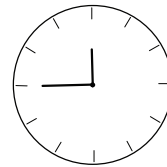
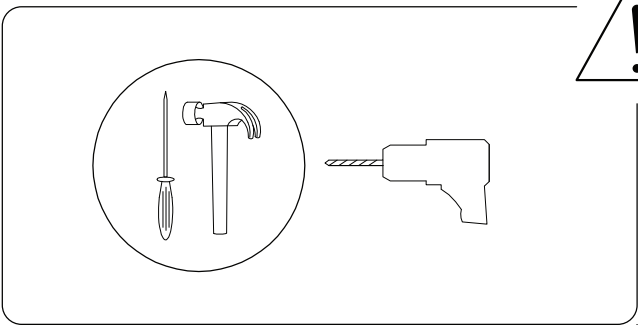
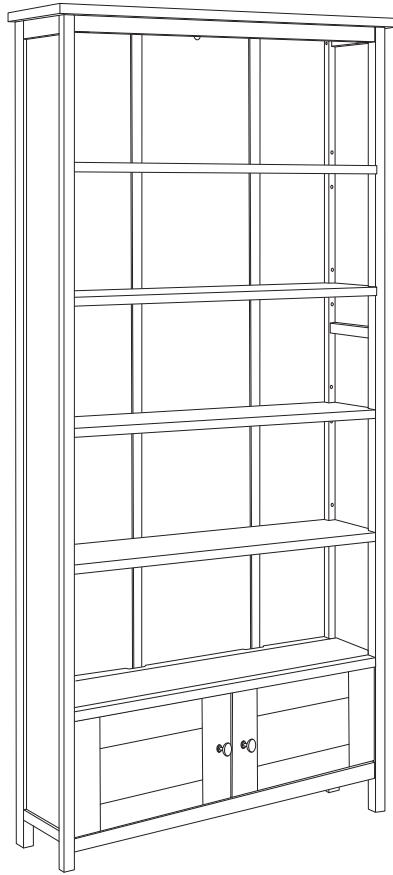
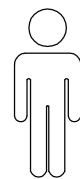
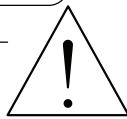
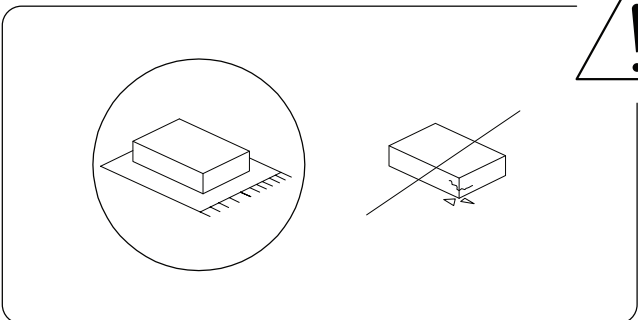


SALTON

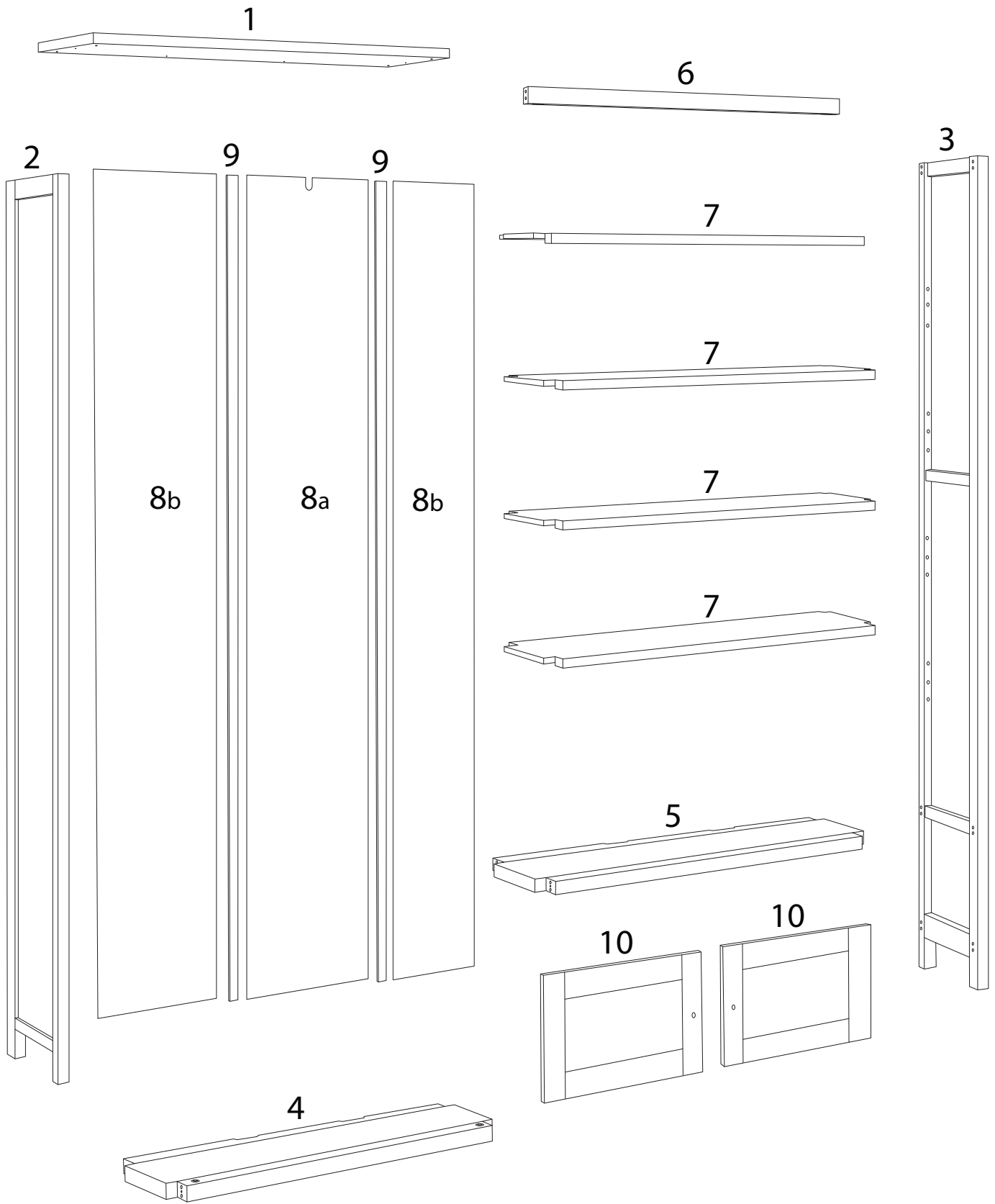




45'



2



1



x 1

2



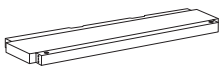
x 1

3



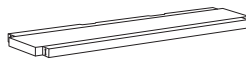
x 1

4



x 1

5



x 1

6



x 1

7



x 4

8a



x 1

8b



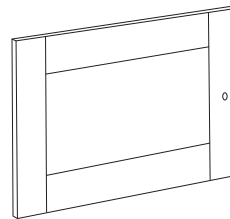
x 2

9



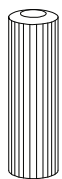
x 2

10



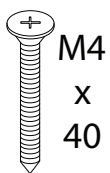
x 2

A



x 24

B



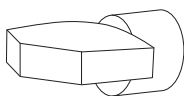
x 14

D



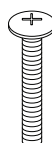
x 28

E



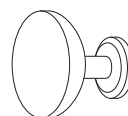
x 16

F



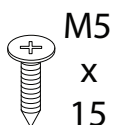
x 2

G



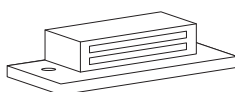
x 2

H



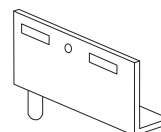
x 4

J



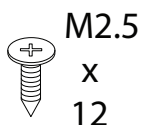
x 2

M



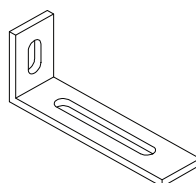
x 4

N



x 12

O



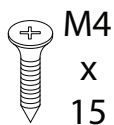
x 1

P



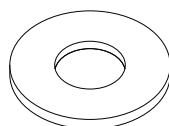
x 1

R



x 1

S



x 2

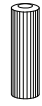
T



x 1

1

A



x 24

2

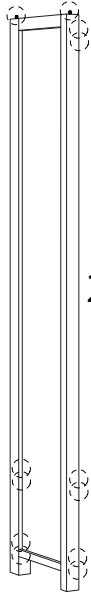


x 1

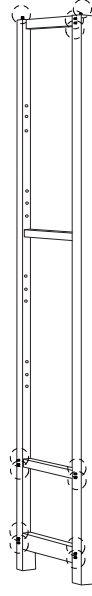
3



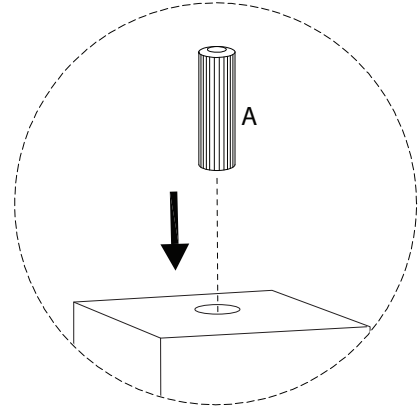
x 1



2

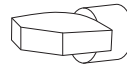


3

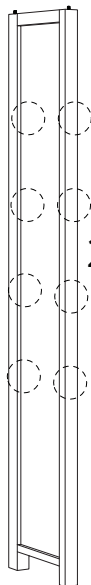


2

E



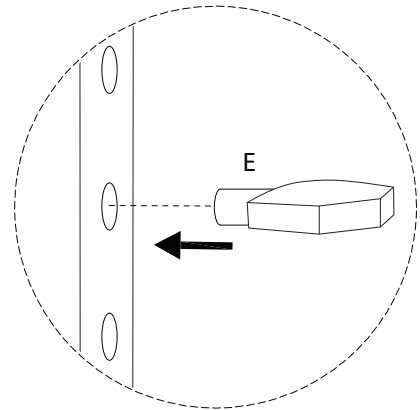
x 16



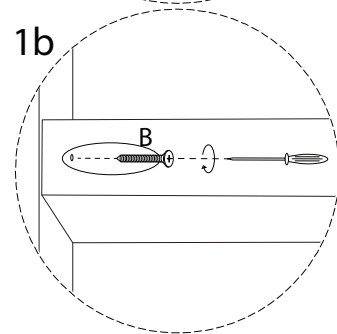
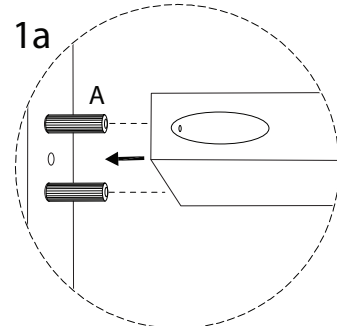
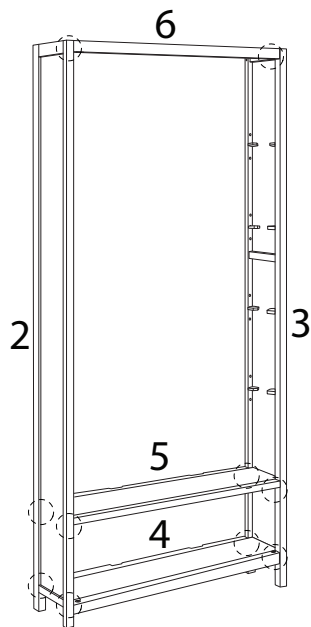
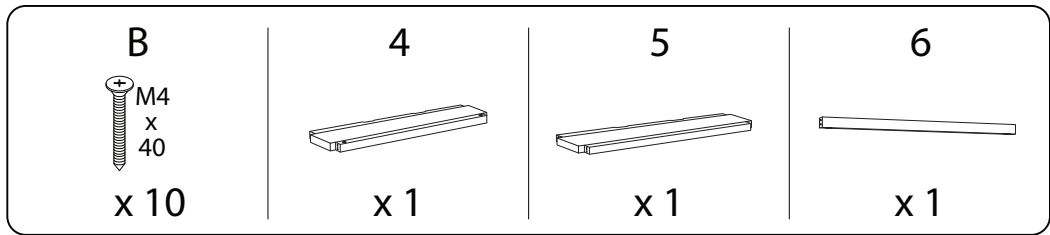
2



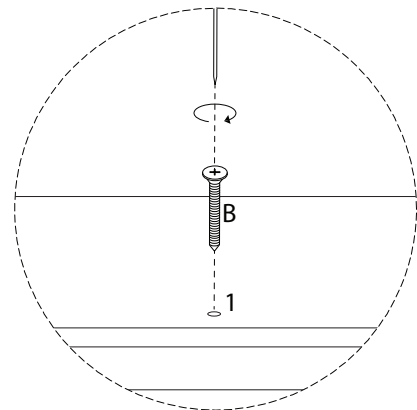
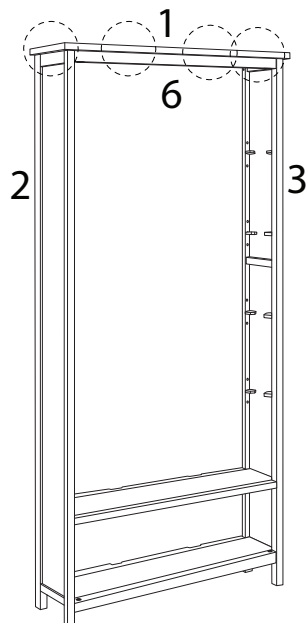
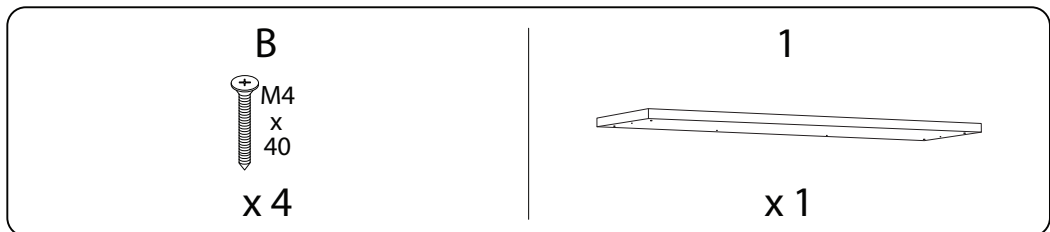
3



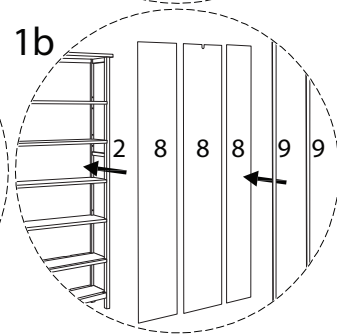
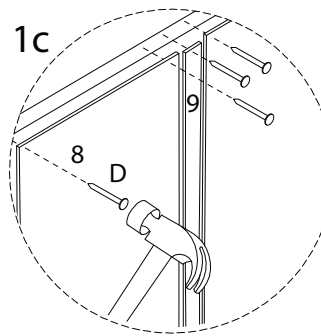
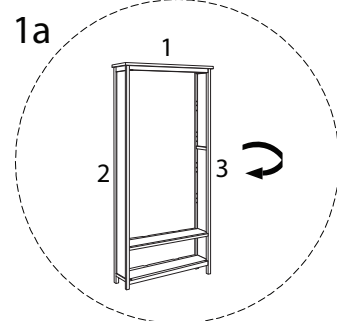
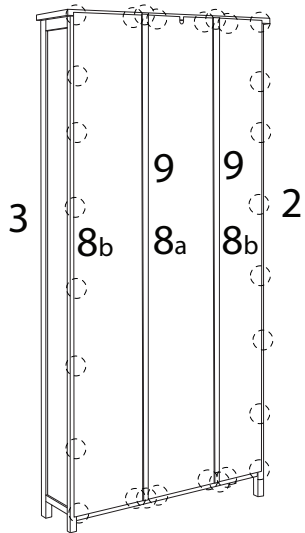
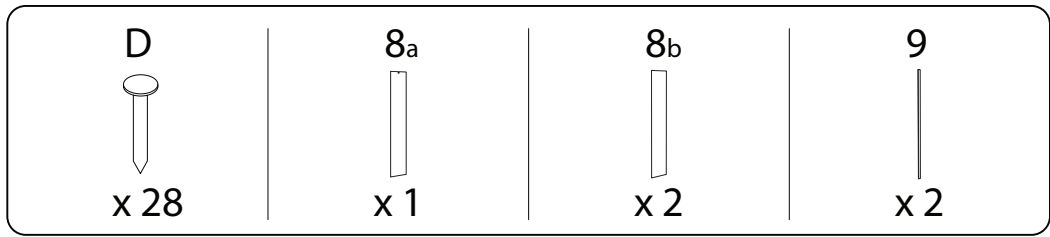
3



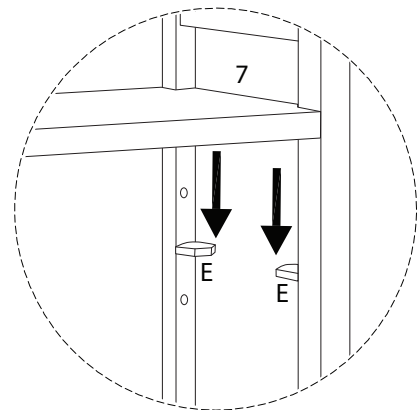
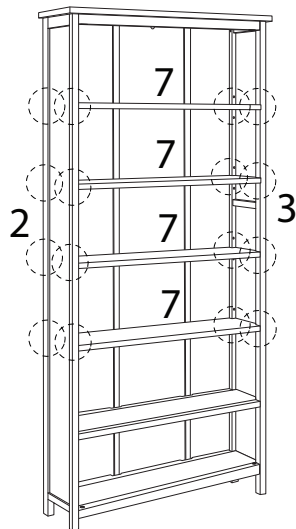
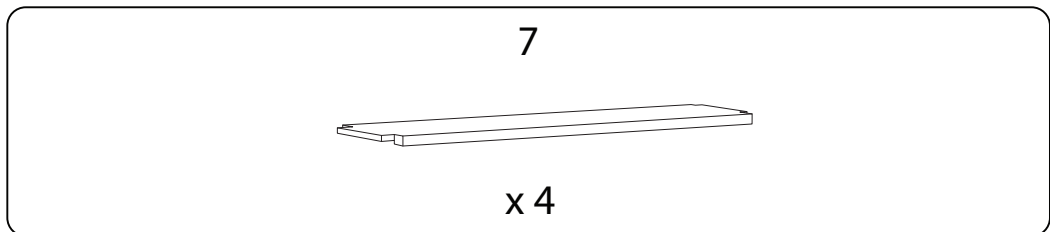
4



5

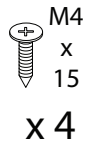


6

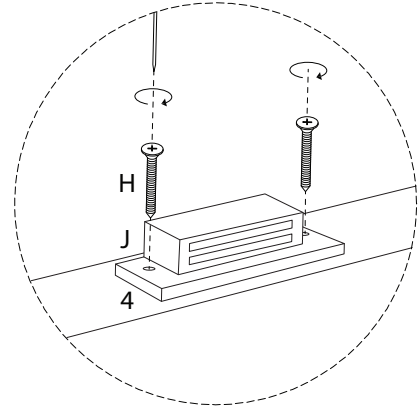
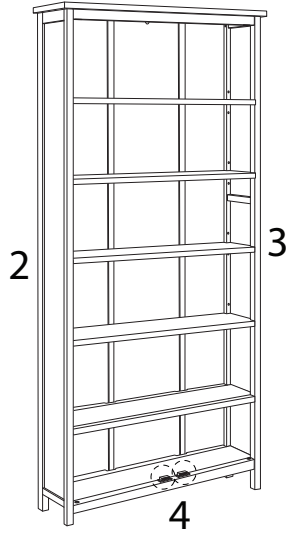
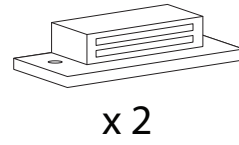


7

J



H



8

F



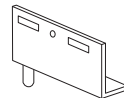
x 2

G



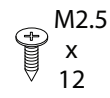
x 2

M

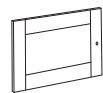


x 2

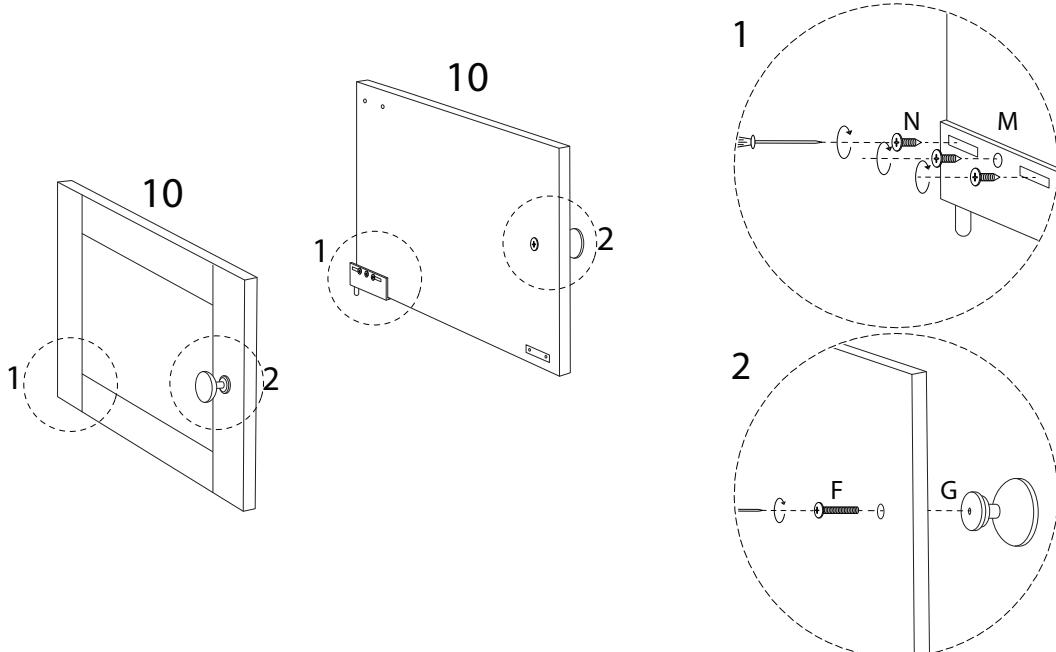
N



10

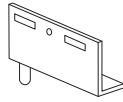


x 2



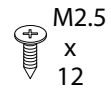
9

M

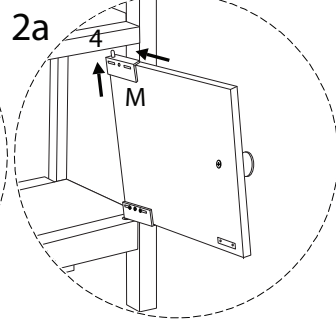
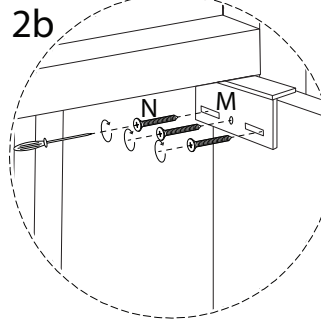
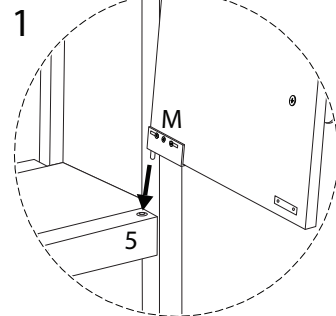
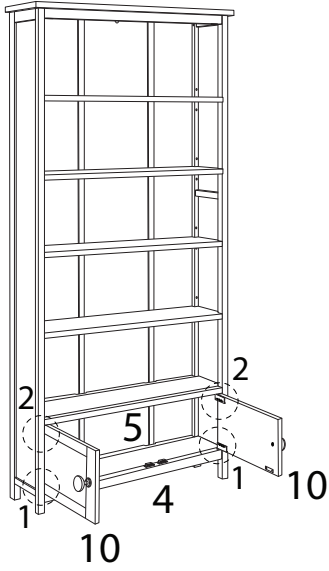


x 2

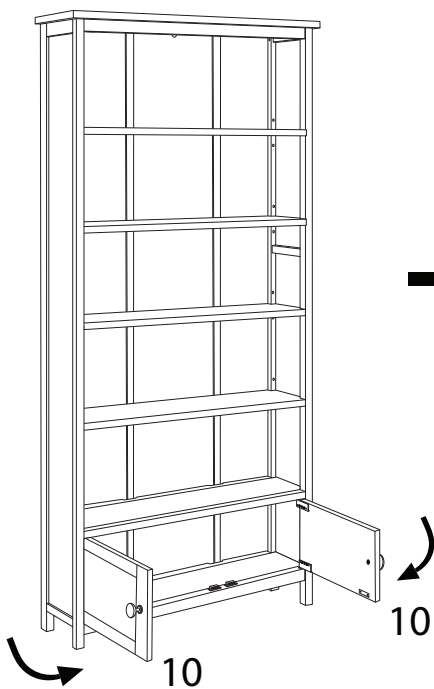
N



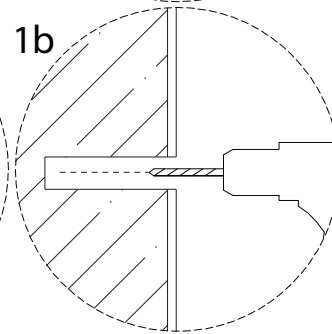
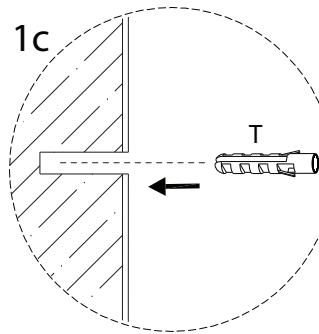
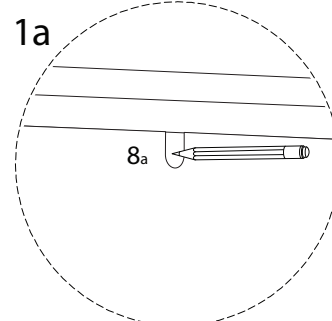
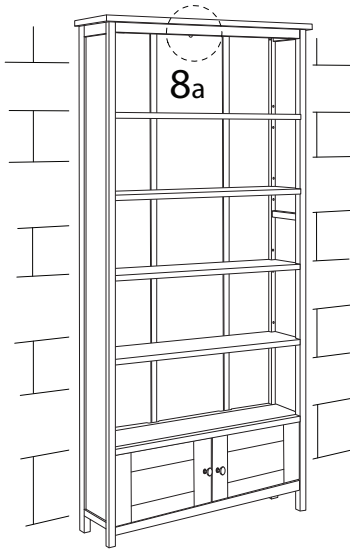
x 6



!



10



11

