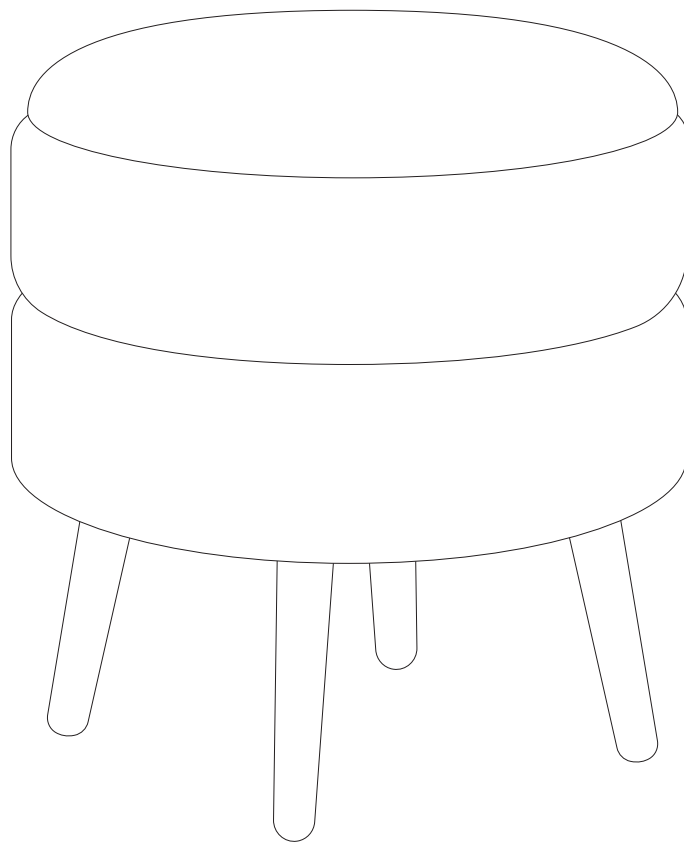


# OKATON



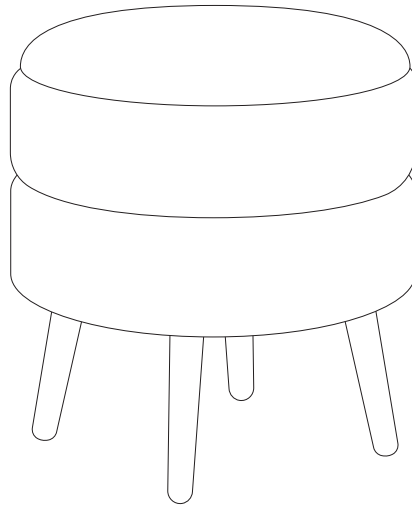
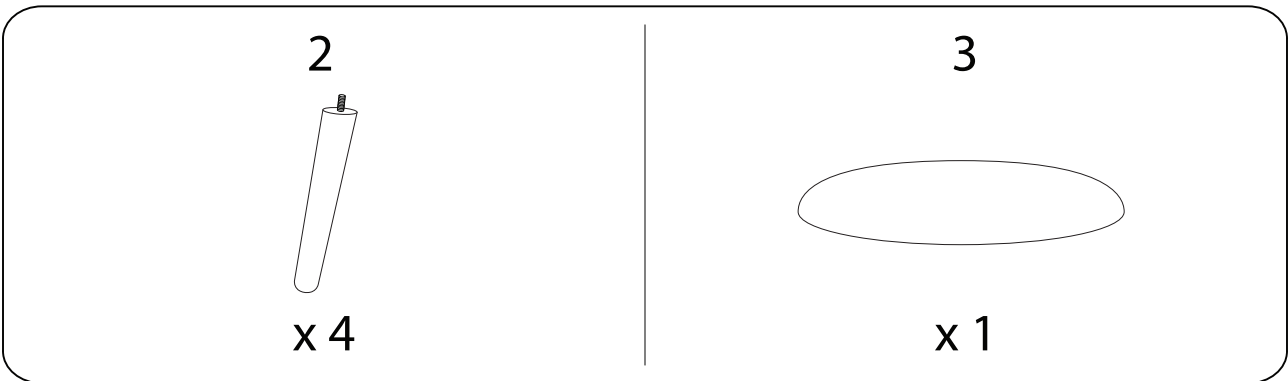
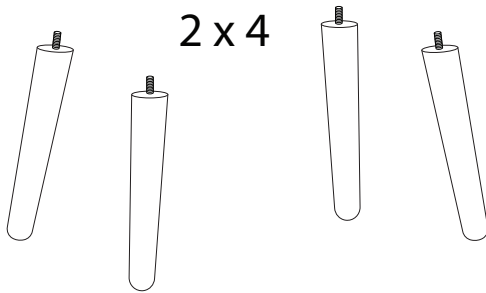
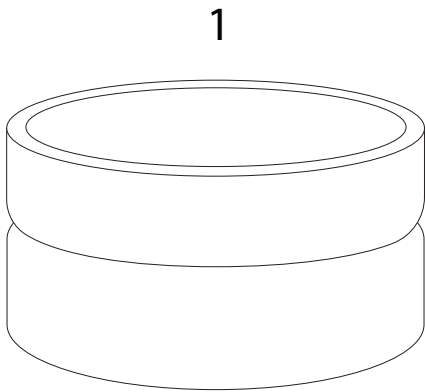
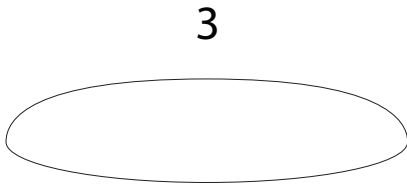
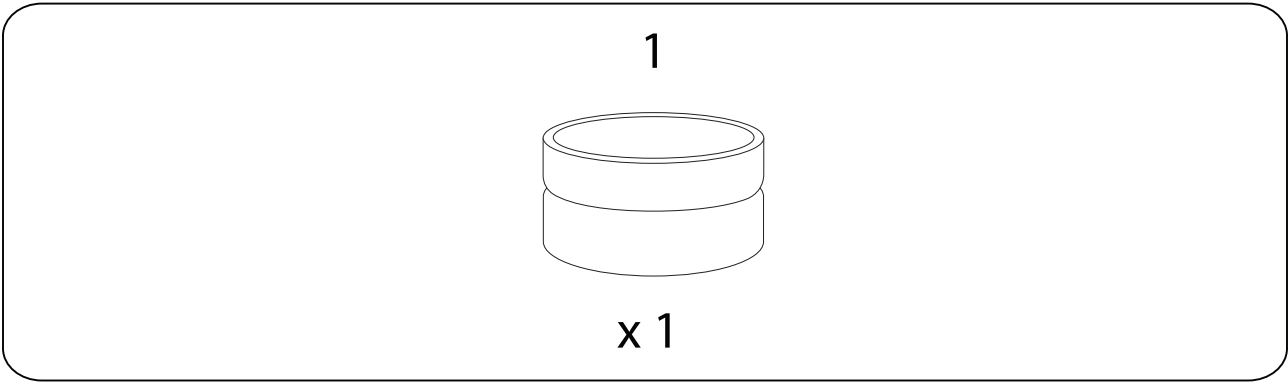


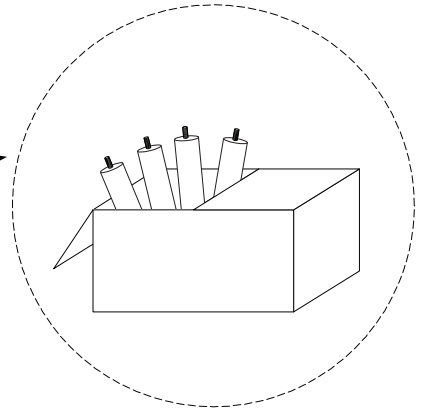
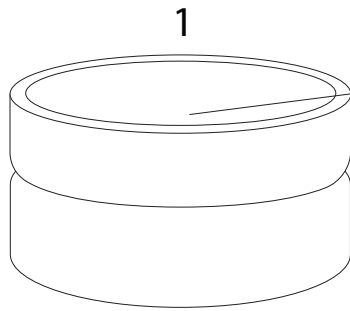
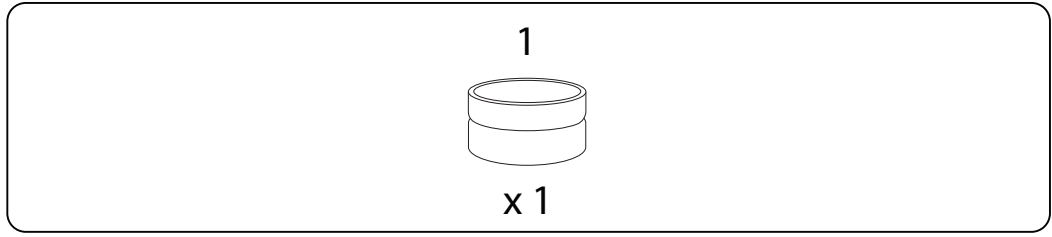
Diagram illustrating assembly instructions and safety warnings:

- Top Warning:** A crossed-out power drill icon is shown next to a warning triangle with an exclamation mark, indicating that a power drill should not be used for this step.
- Time:** A clock icon with a circular arrow indicates a duration of **10'** (10 minutes).
- Bottom Warning:** A warning triangle with an exclamation mark is positioned above two diagrams. The left diagram shows a rectangular block being placed on a textured surface. The right diagram shows a rectangular block with a crossed-out screwdriver icon, indicating that a screwdriver should not be used on this part.
- Person Icon:** A simple human figure icon is shown below the bottom warning, with the number **1** underneath it, indicating that one person is required for this step.

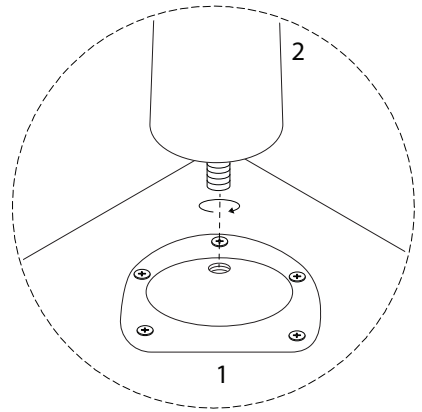
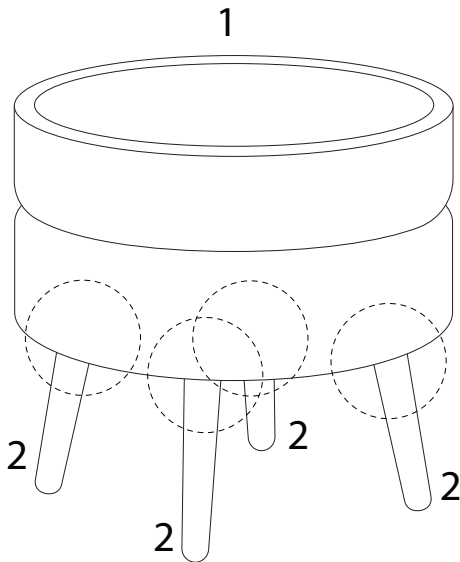
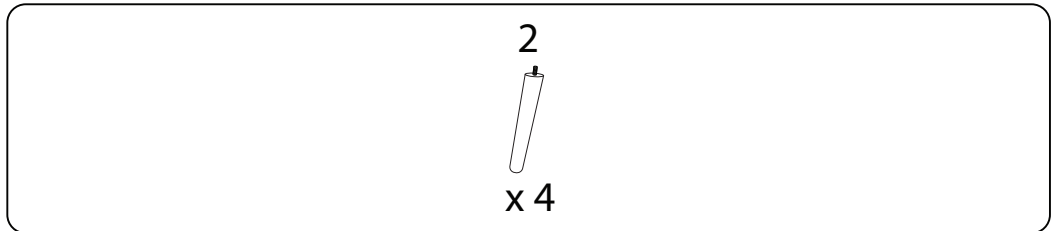
1/4



1



2



3

