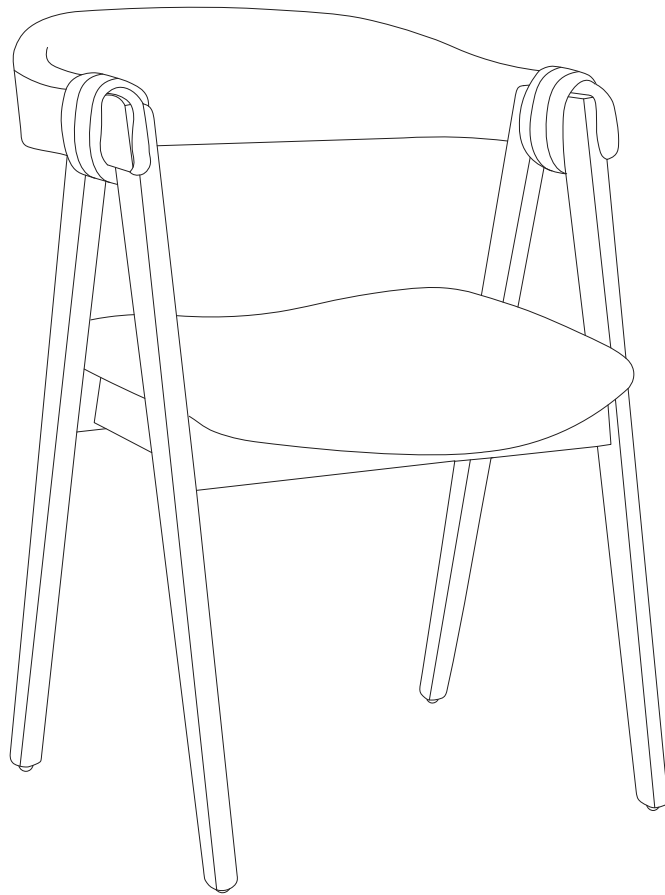
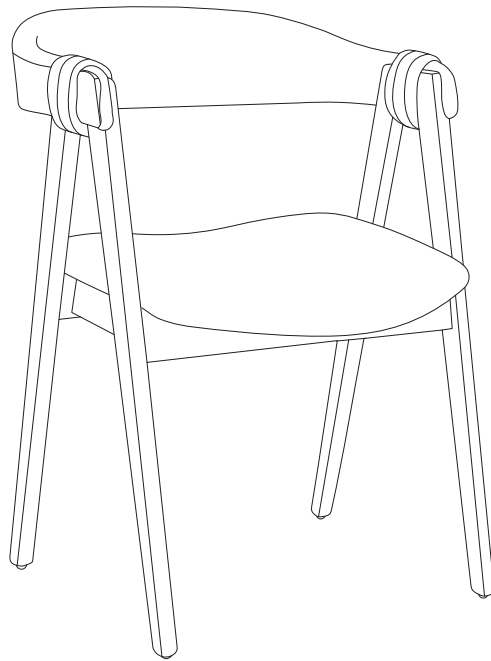
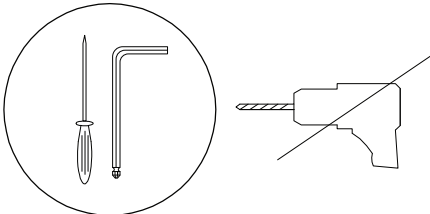

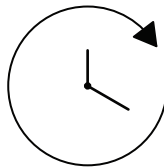
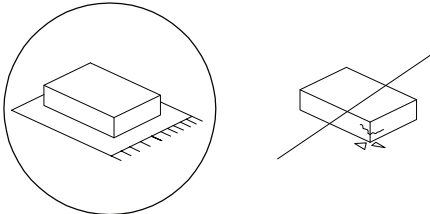


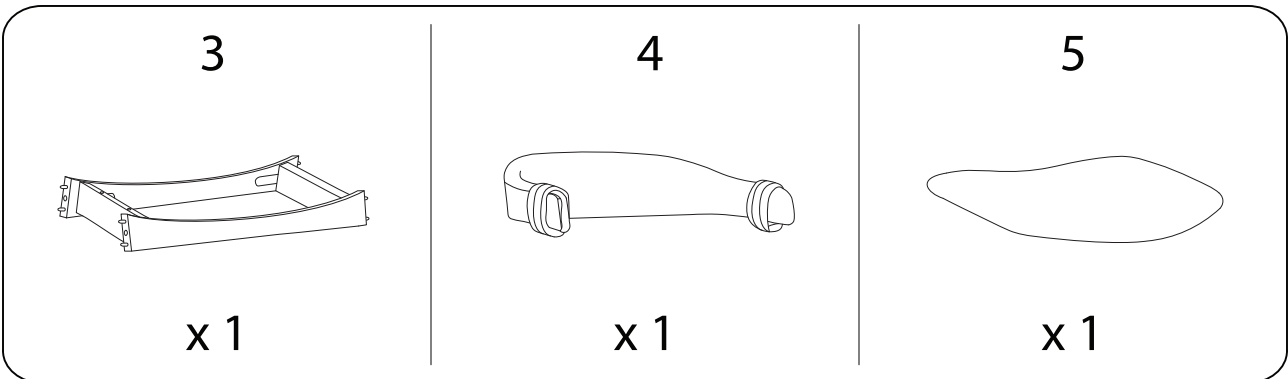
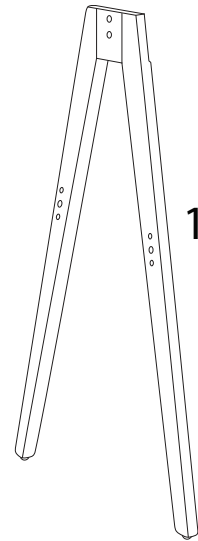
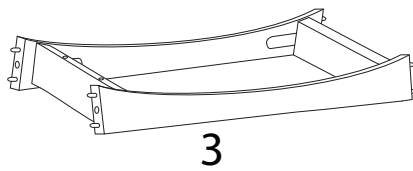
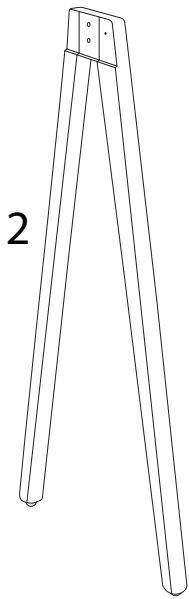
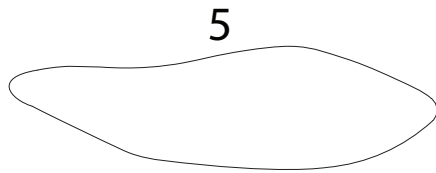
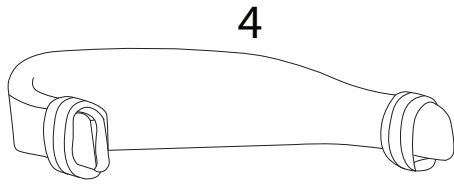
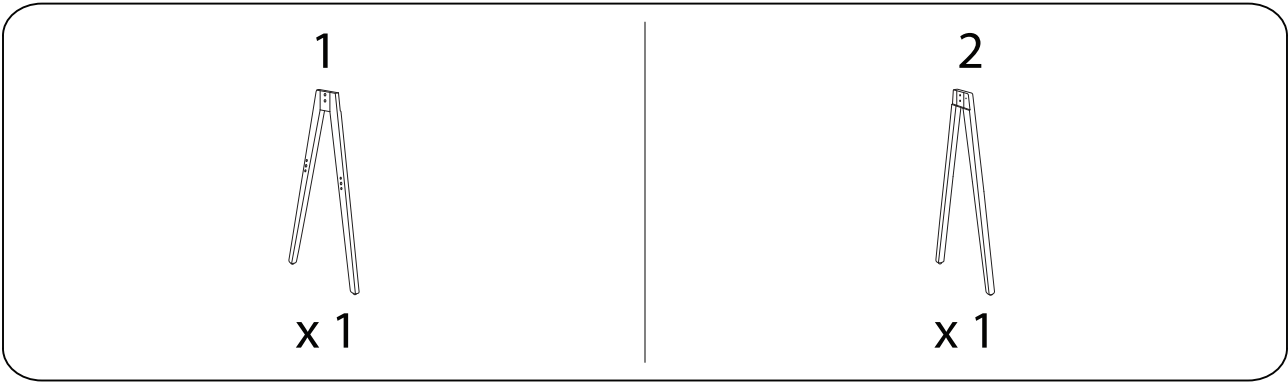


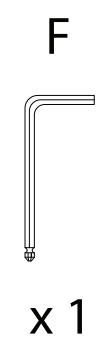
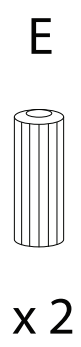
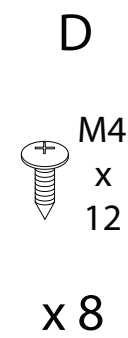
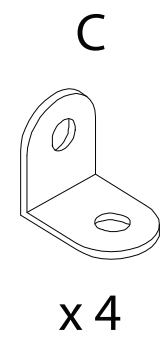
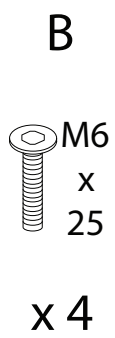
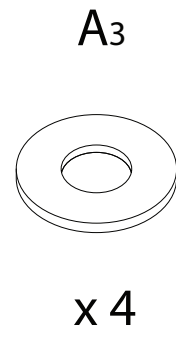
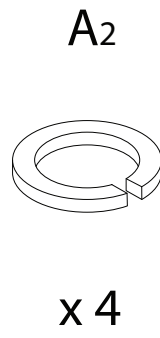
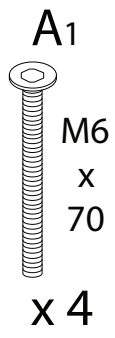
DAY



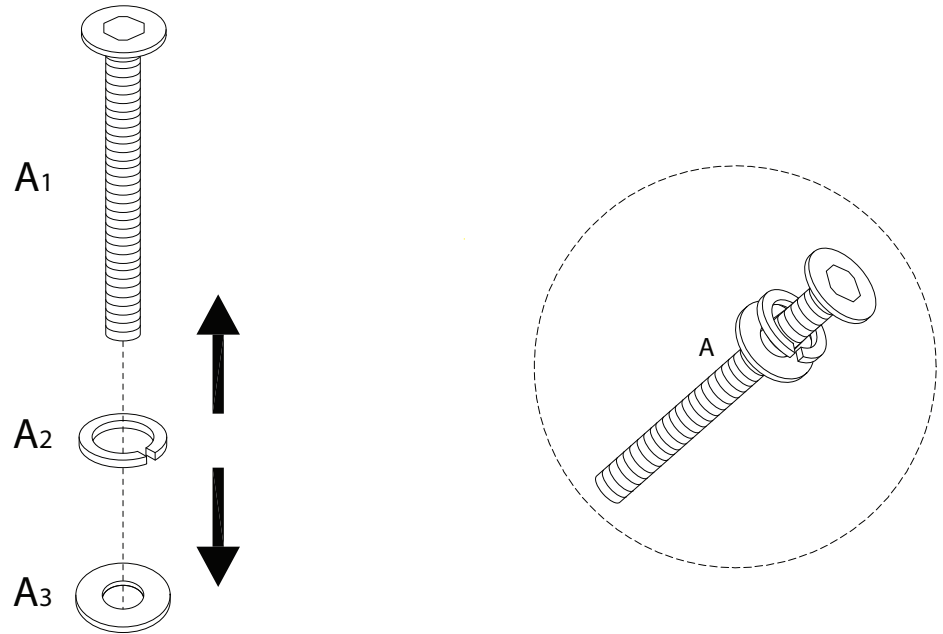


		
		20'
		
		1



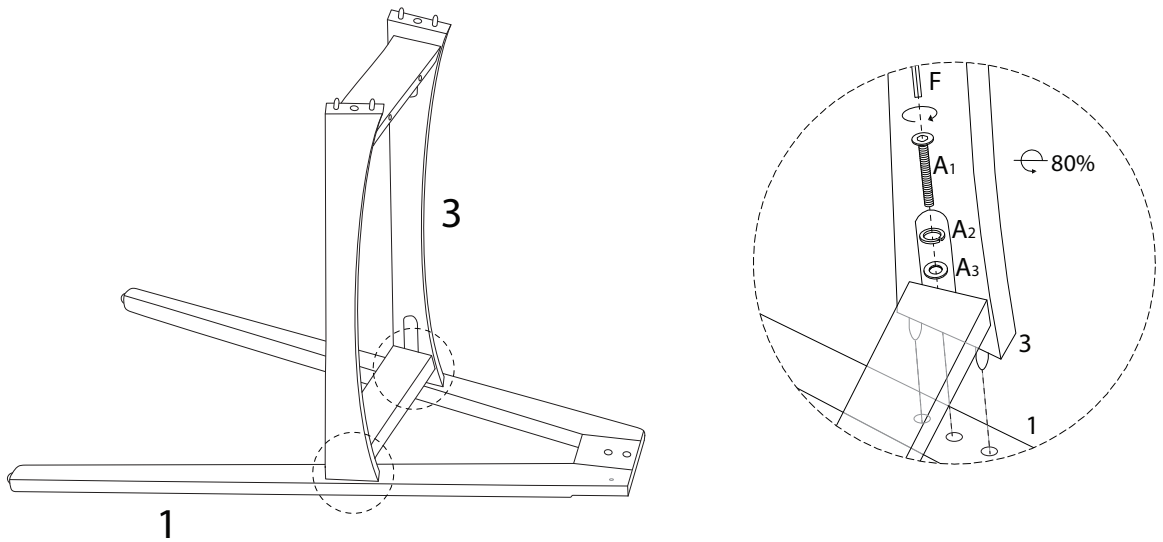


!

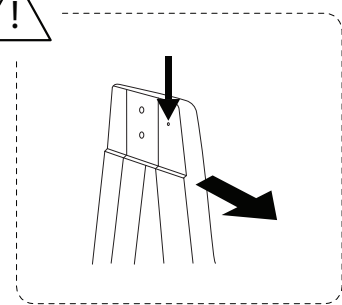
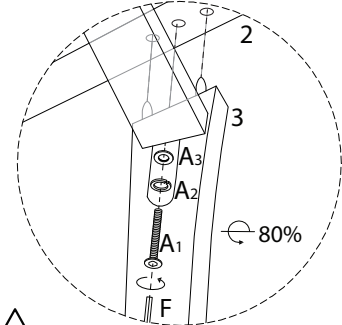
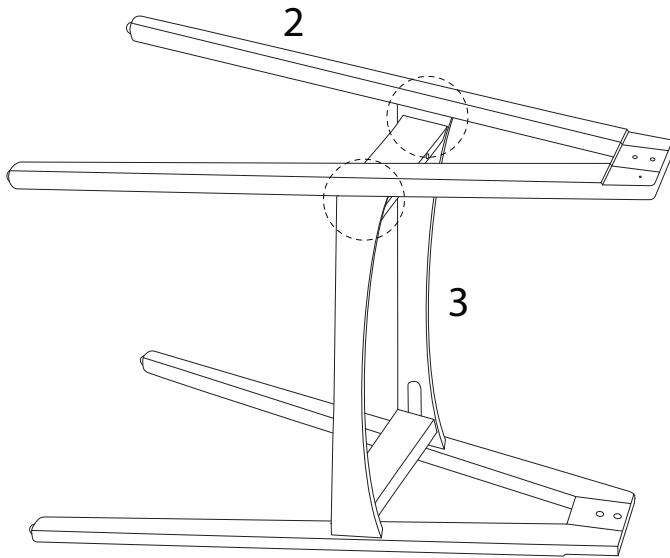
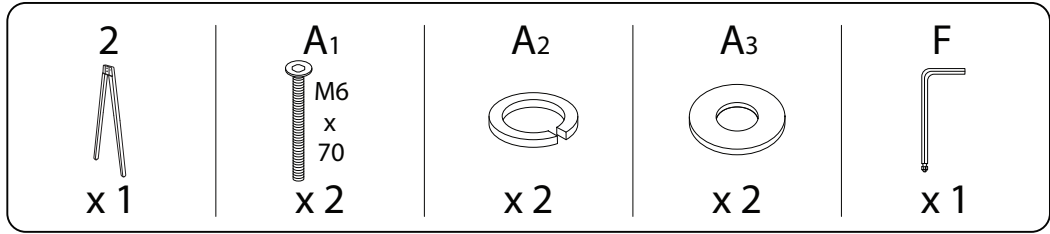


1

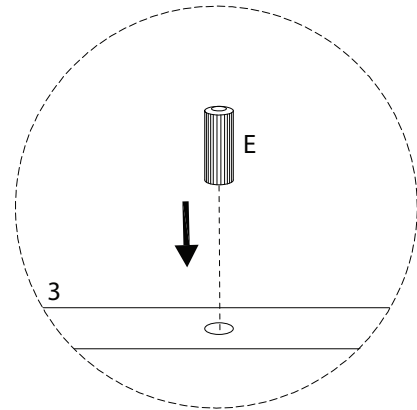
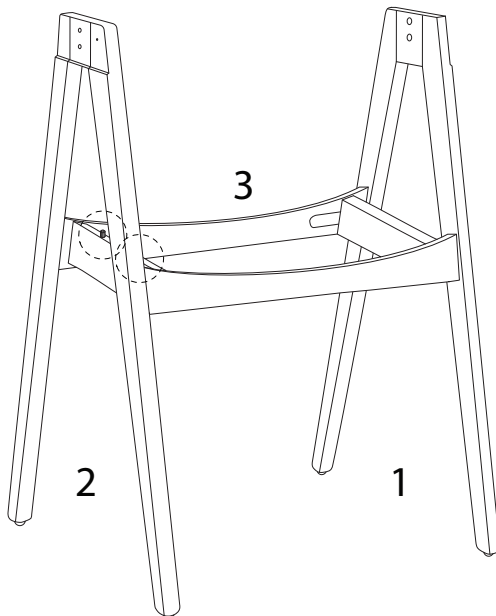
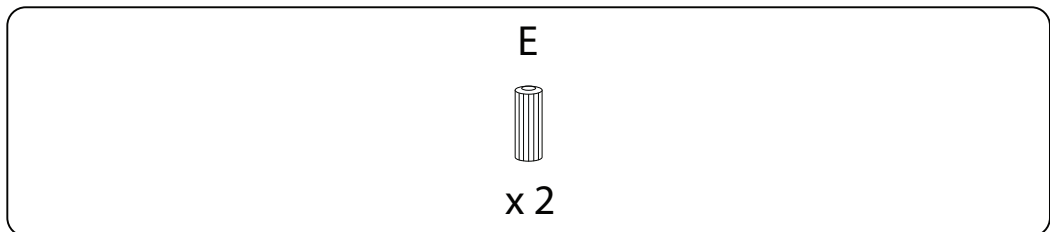
<p>1 x 1</p>	<p>3 x 1</p>	<p>A1 M6 x 70 x 2</p>	<p>A2 x 2</p>	<p>A3 x 2</p>	<p>F x 1</p>
------------------	------------------	-----------------------------------	-------------------	-------------------	------------------



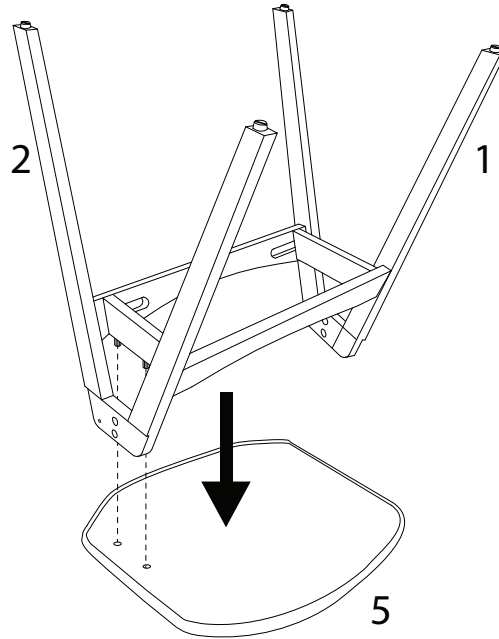
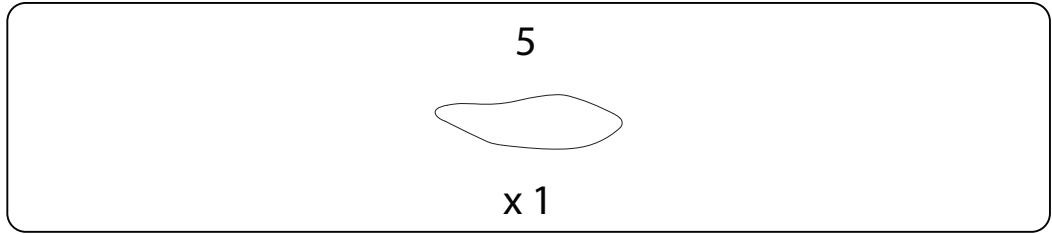
2



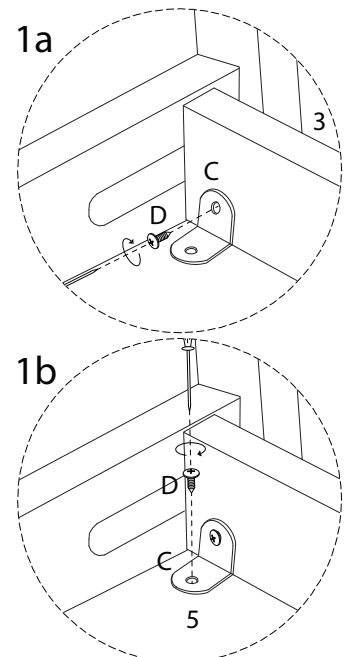
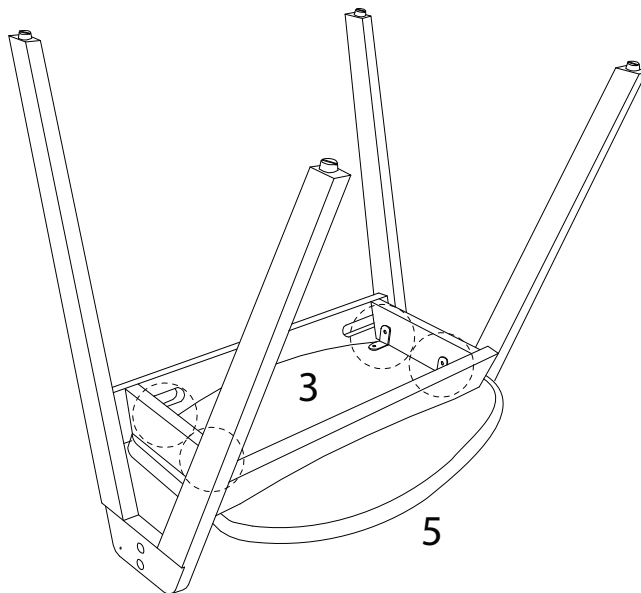
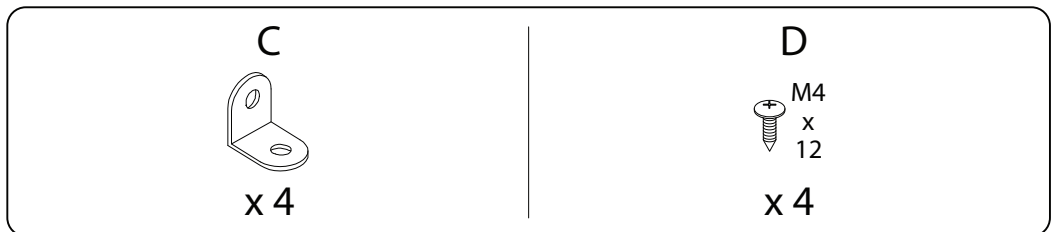
3



4



5



6

4



x 1

B

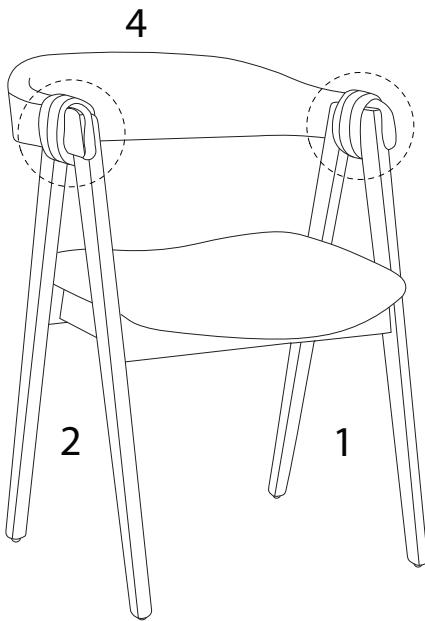


x 4

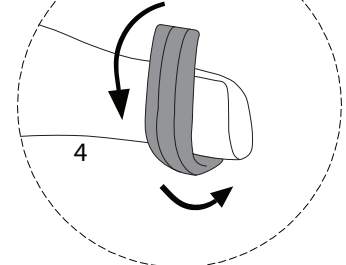
F



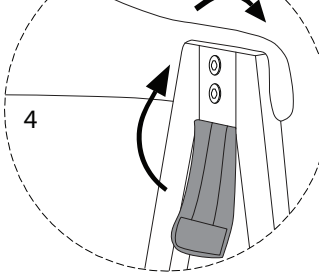
x 1



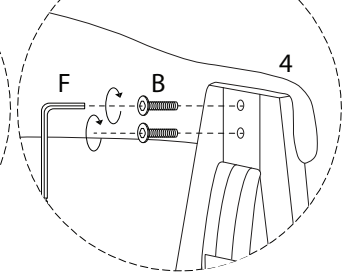
1a



1c



1b

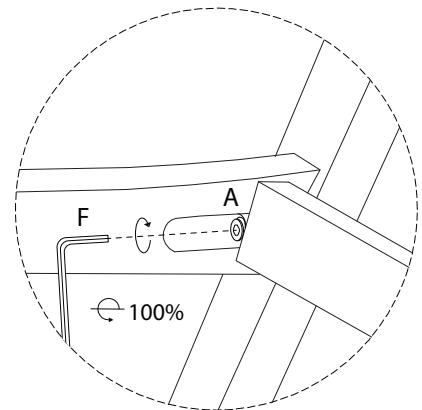
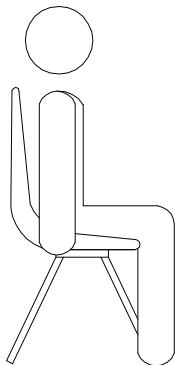


7

F



x 1



8

