

38758&38759

ASSEMBLY INSTRUCTION



TOOLS:

≈ 30 mins

PARTS LIST

- | | | | | | | | | |
|-------------|-------------|-------------|-------------|-------------|-------------|-------------|-------------|-------------|
| A x2 | B x2 | C x2 | D x2 | E x2 | F x2 | G x2 | H x2 | J x4 |
| | | | | | | | | |
| K x4 | L x4 | M x2 | N x1 | O x1 | | | | |
| | | | | | | | | |
| P x1 | Q x2 | R x2 | | | | | | |
| | | | | | | | | |

ACCESSORIES

1 x24

2 x4

3 x6

4 x4

5 x24

6 x6

7 x8

8 x8

9 x4

10 x4



M8x50mm



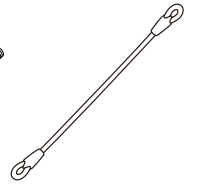
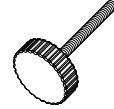
M8x45mm



M6x23mm



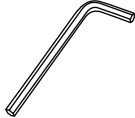
M8x35mm



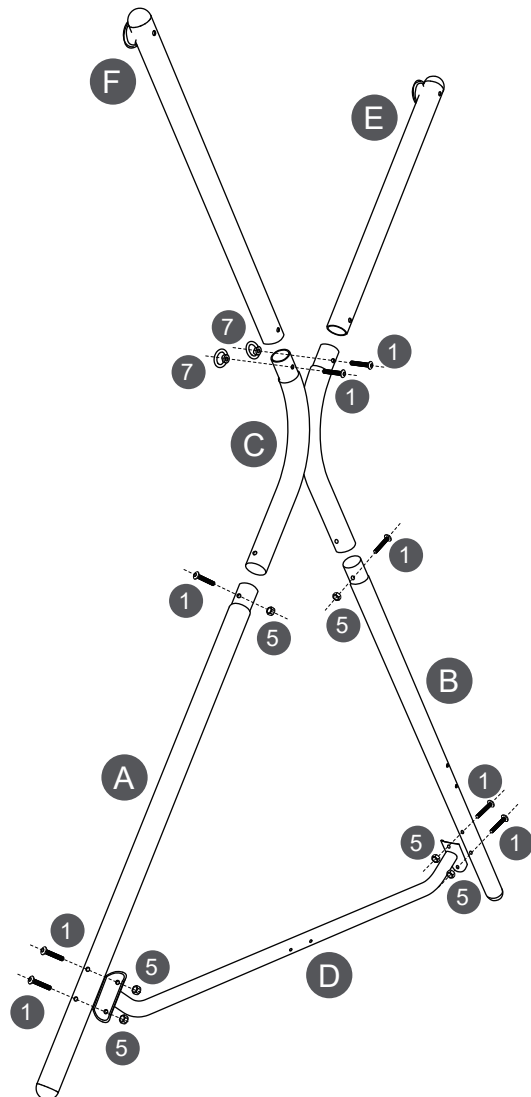
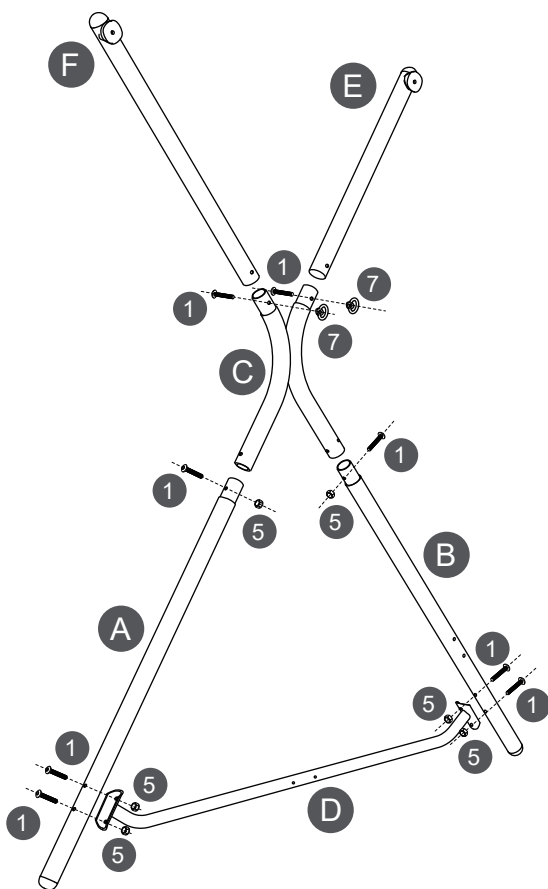
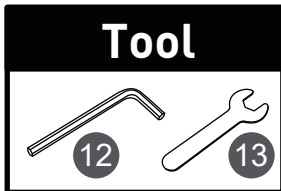
11 x1

12 x1

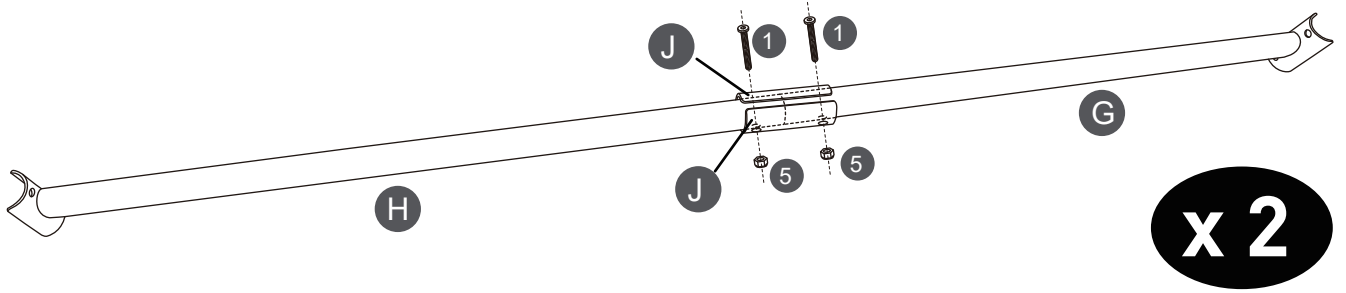
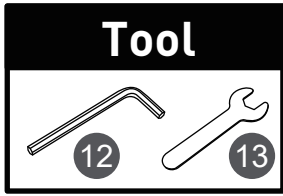
13 x1



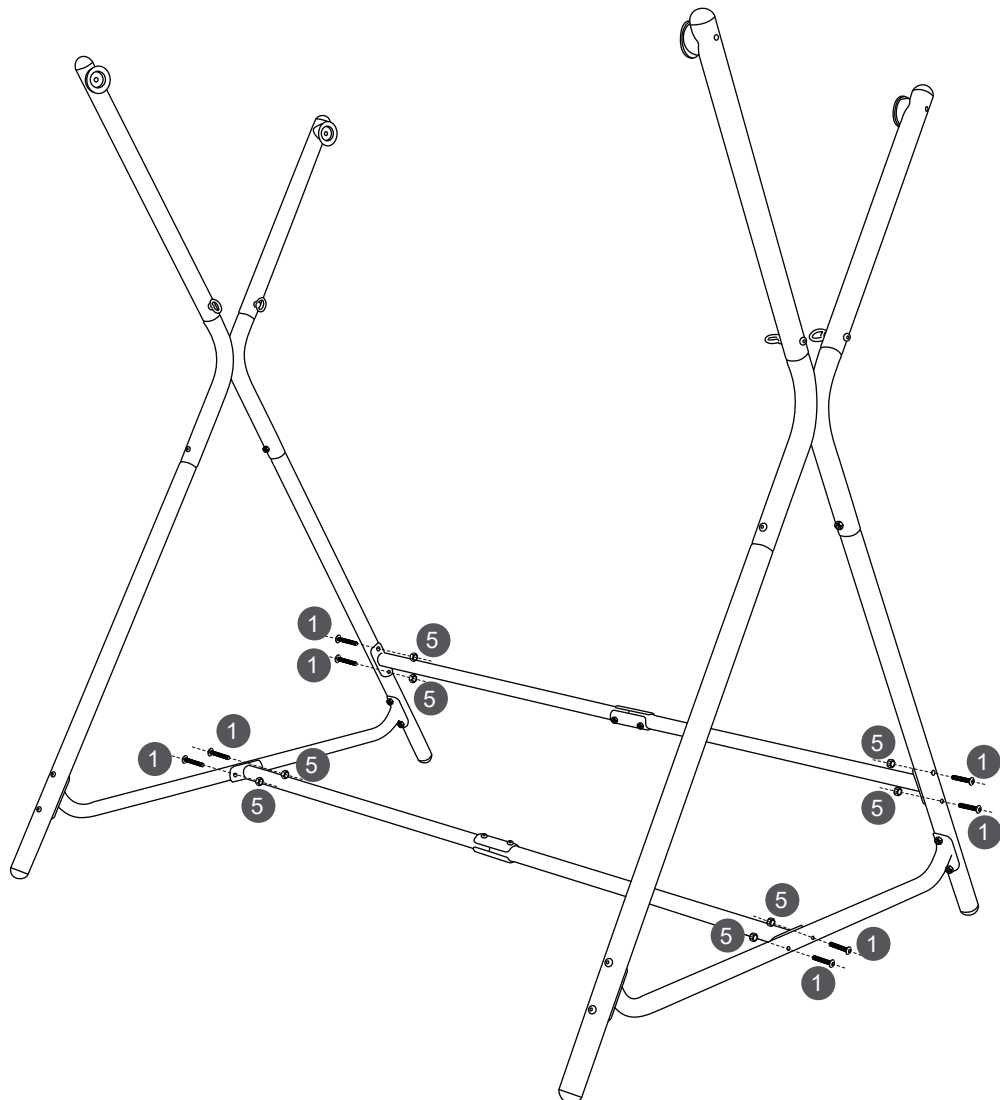
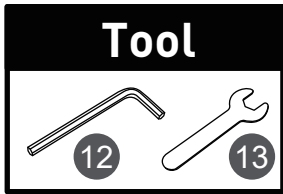
1.



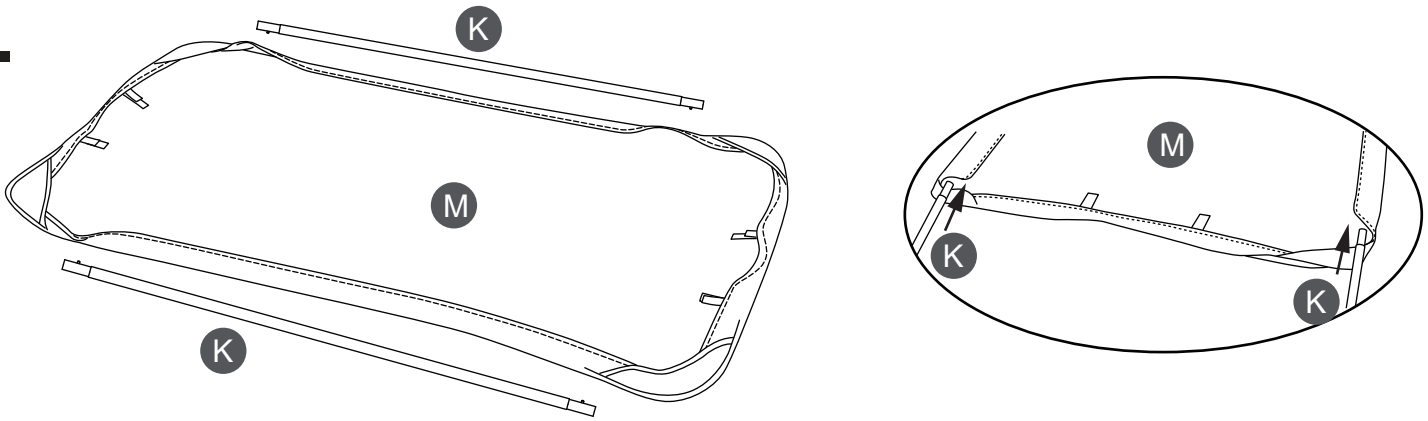
2.



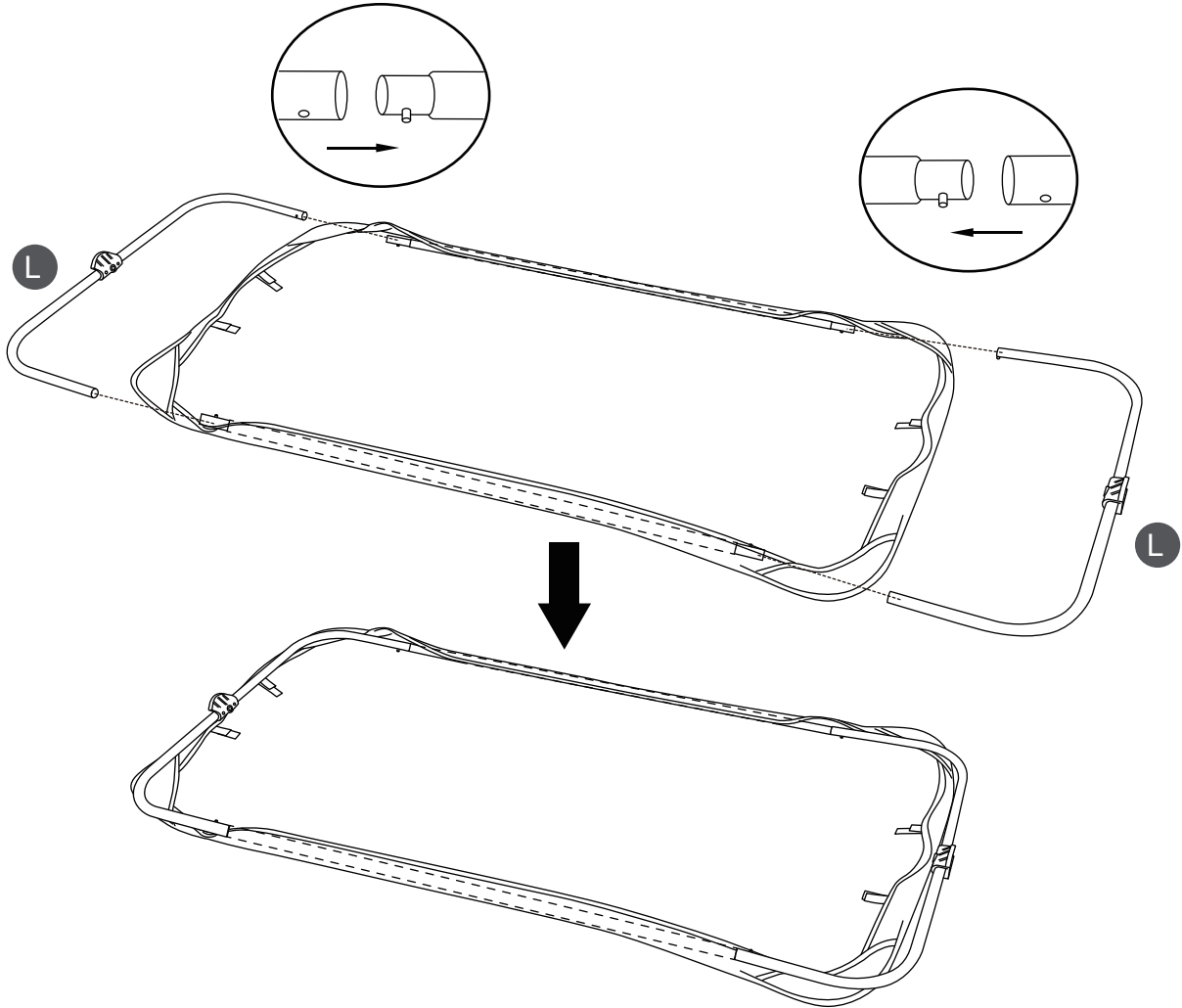
3.



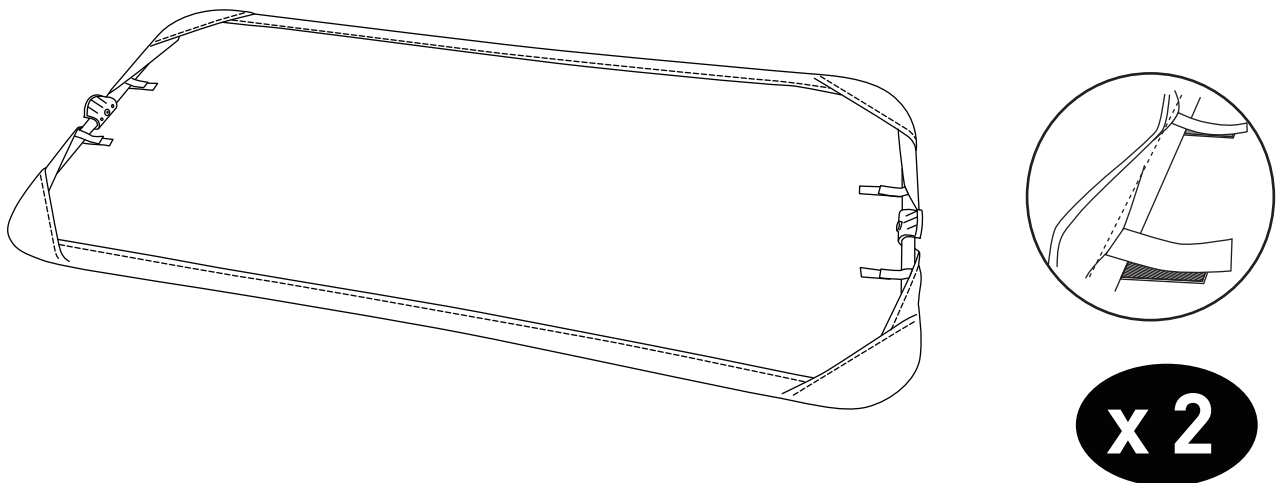
4.



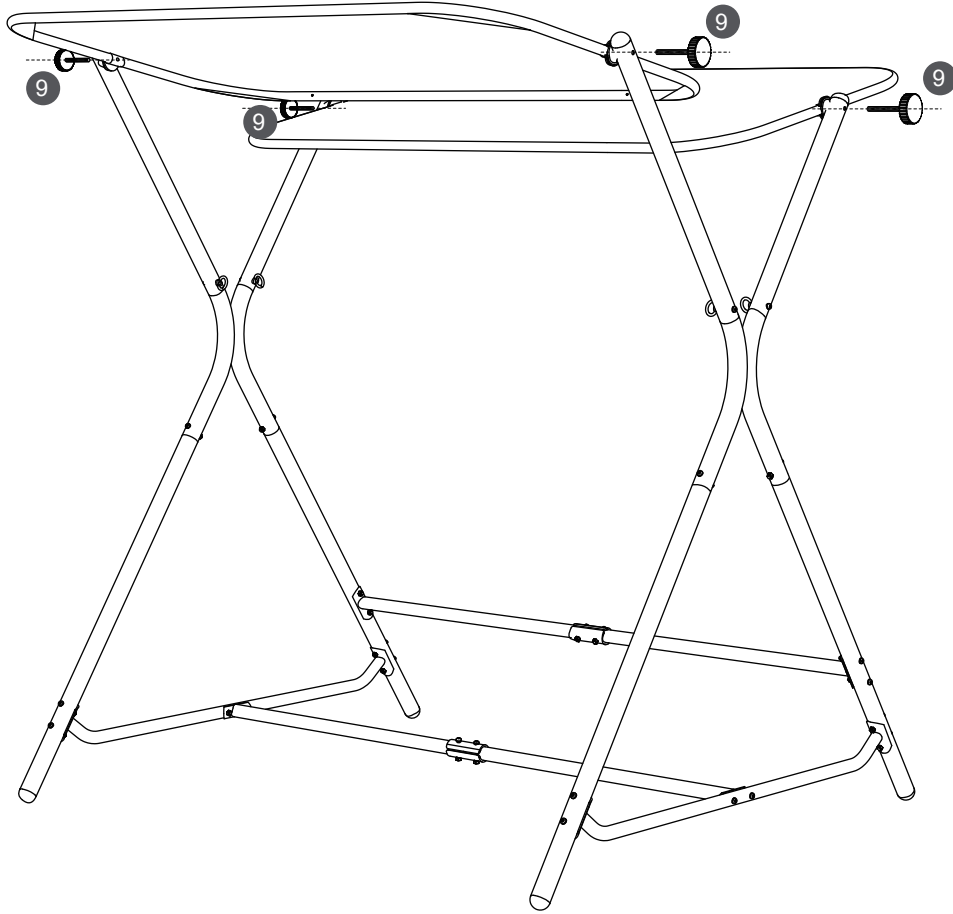
5.



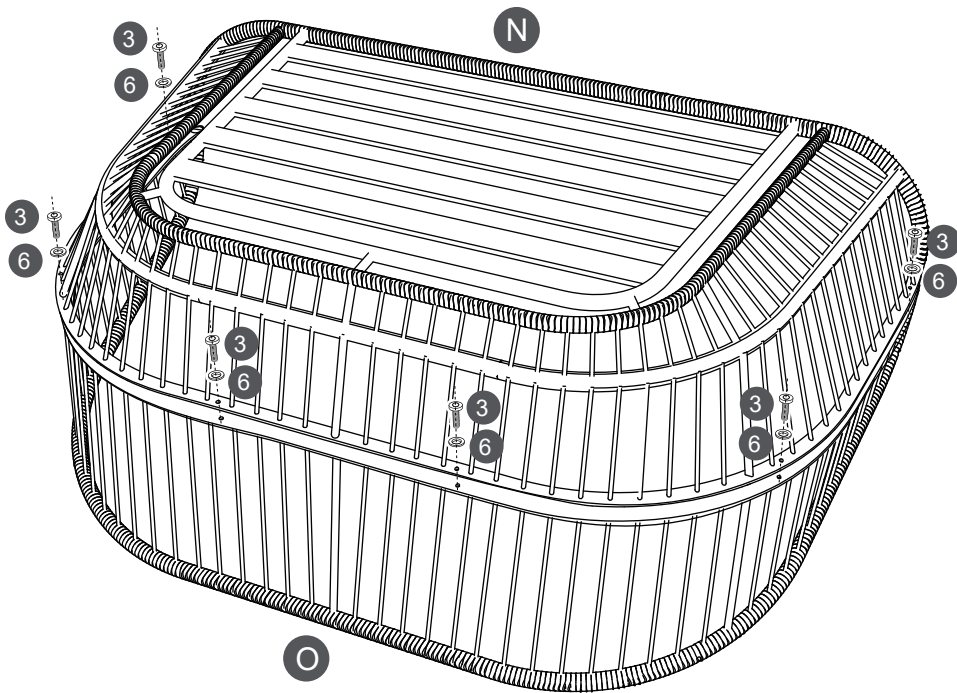
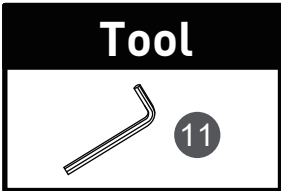
6.



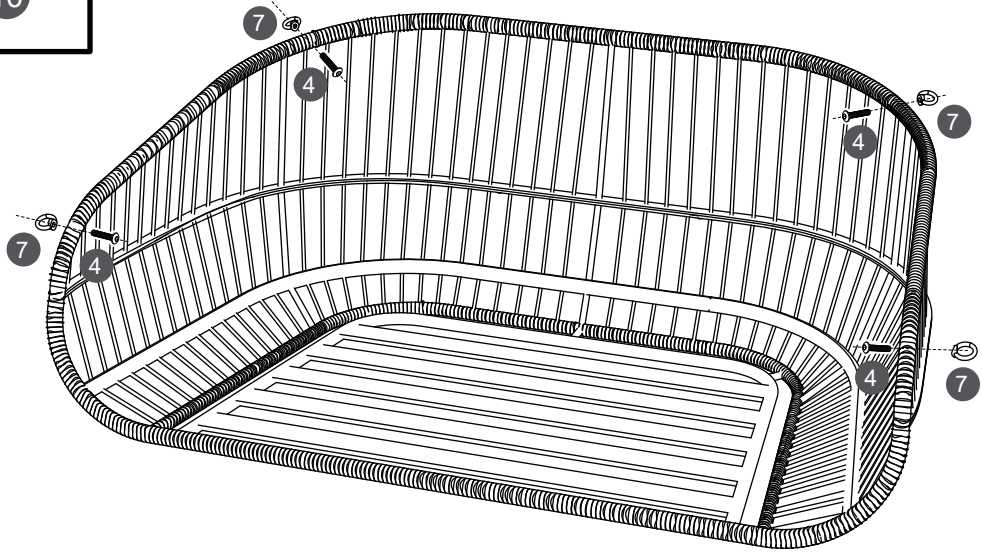
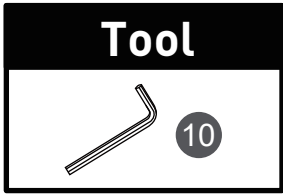
7.



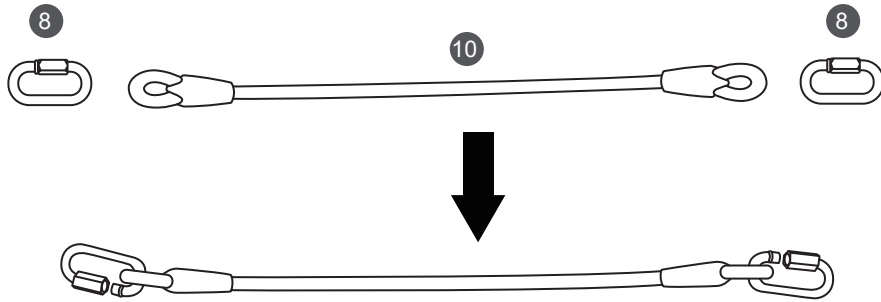
8.



8.

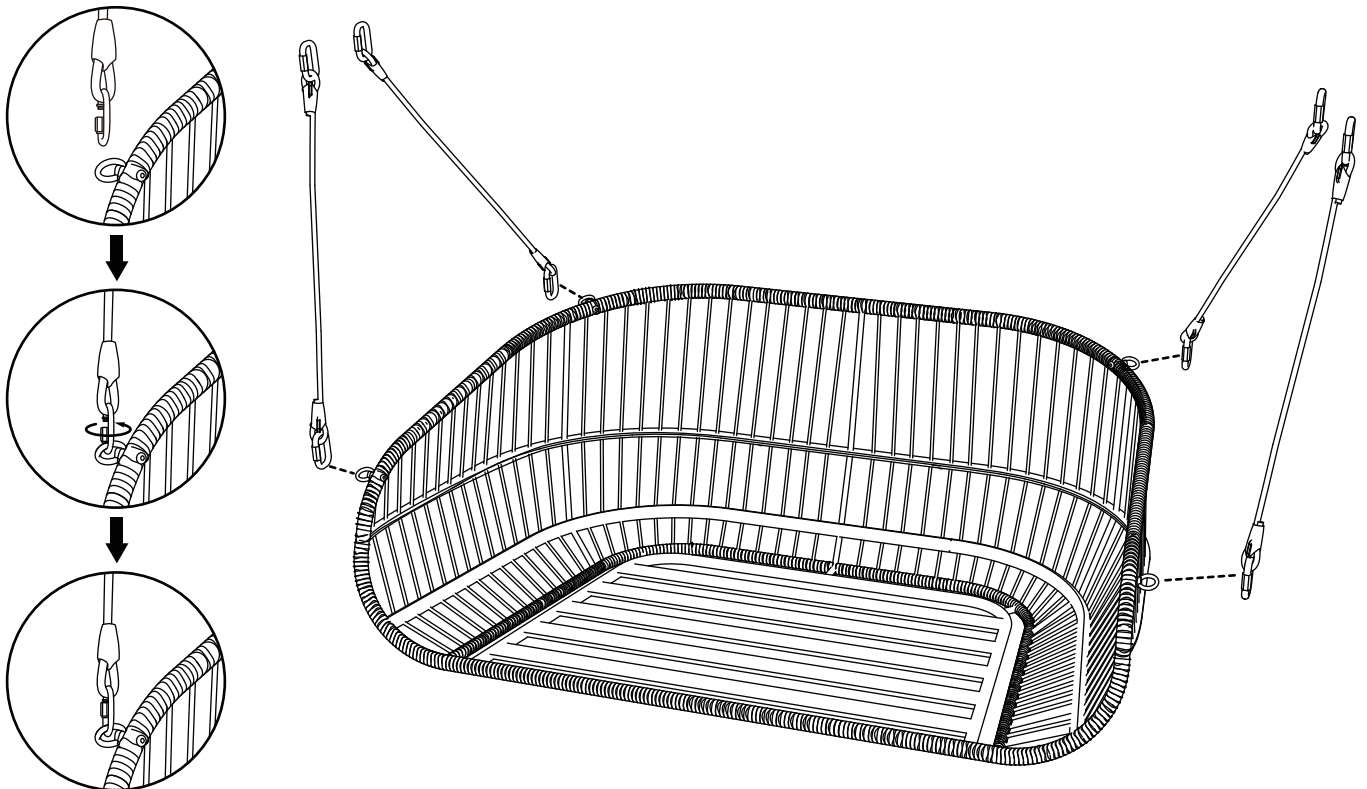


9.

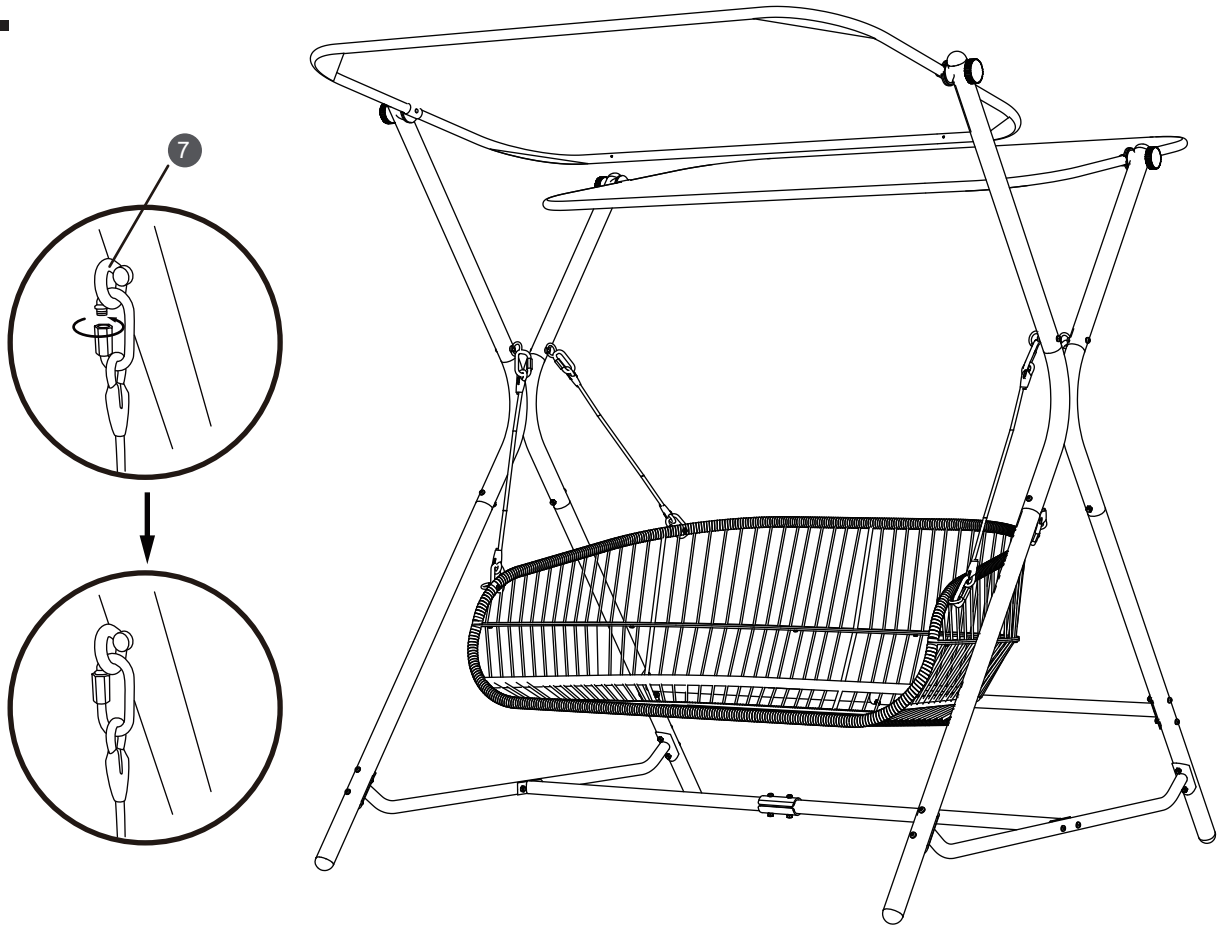


x 4

10.



11.



12.

