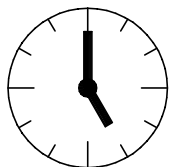
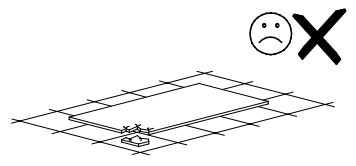
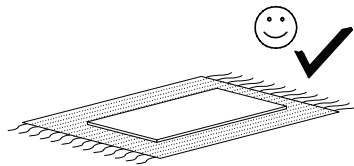
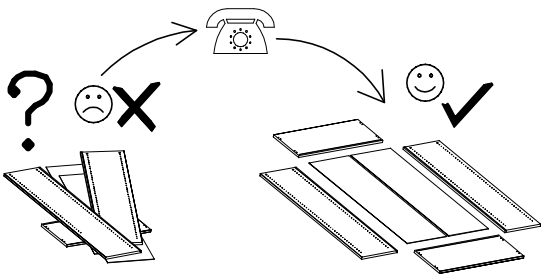
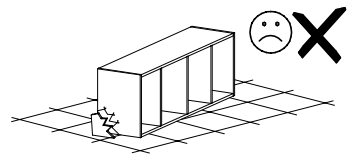
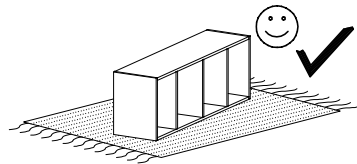
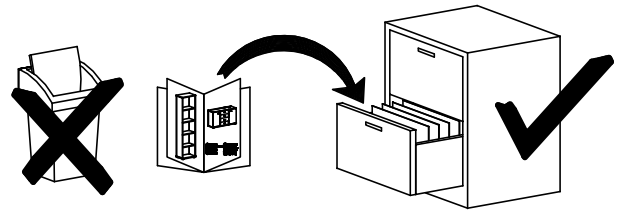
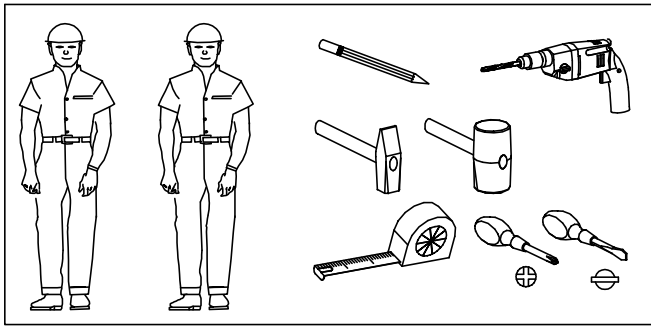
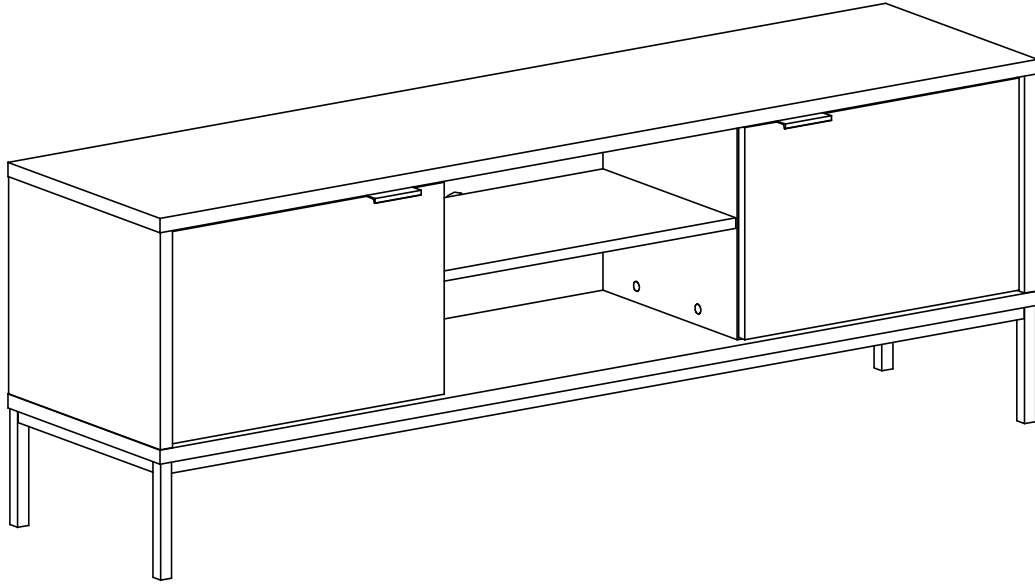
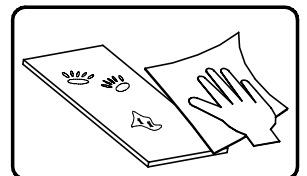
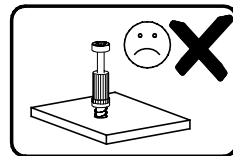
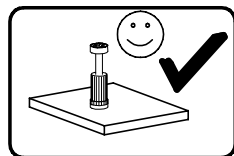
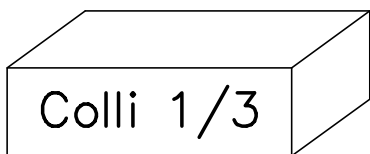
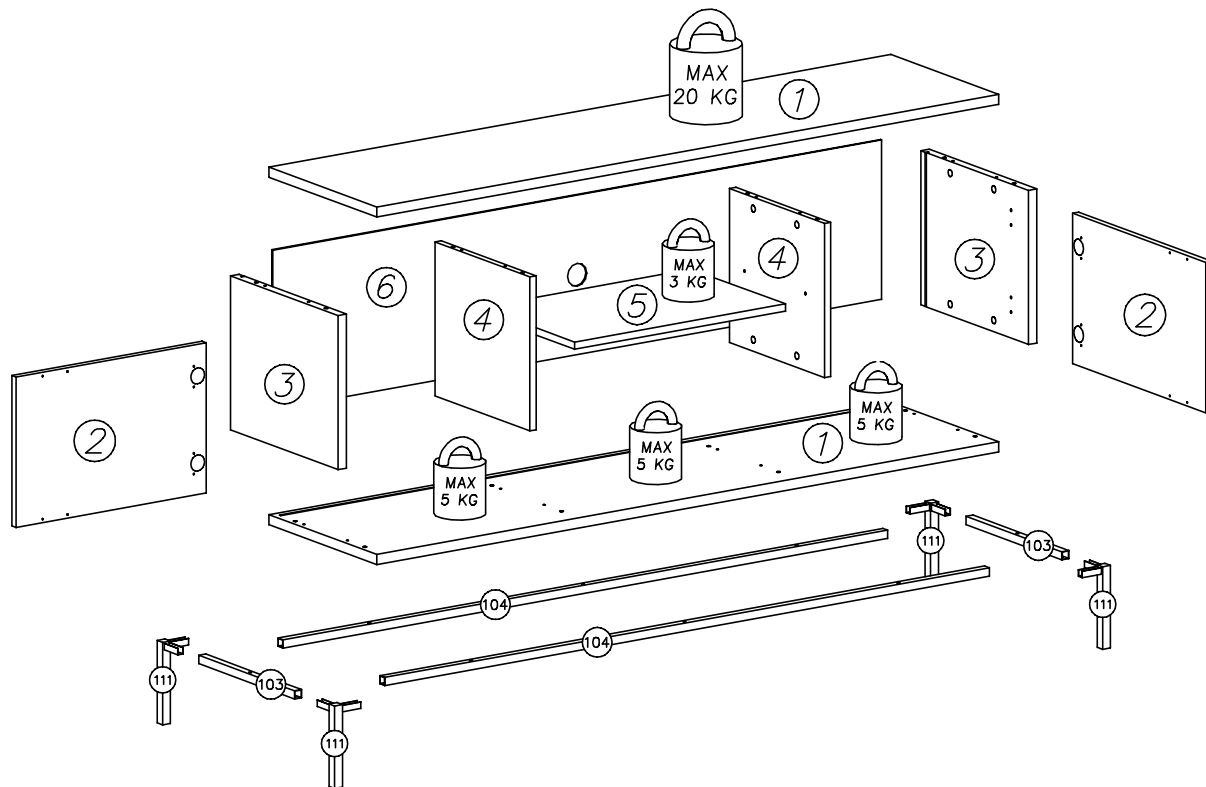
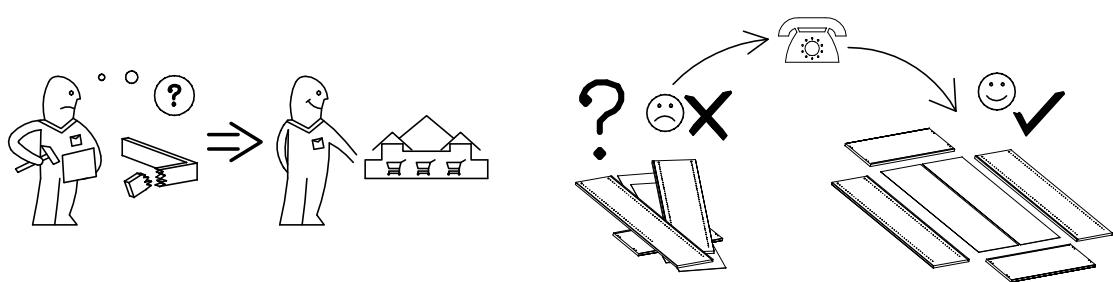
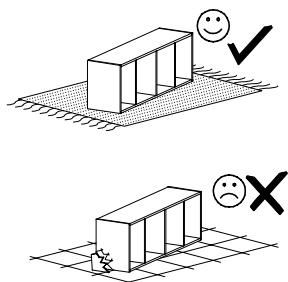


GOLD – rtv



1,5h

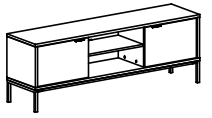




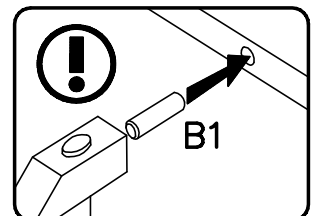
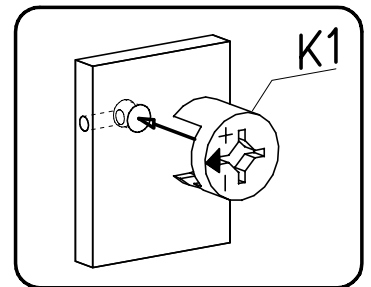
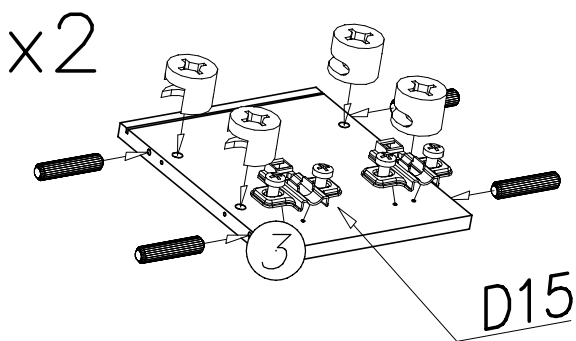
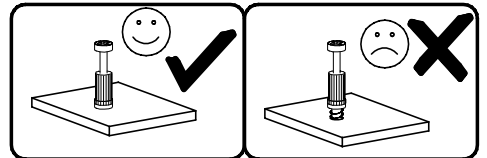
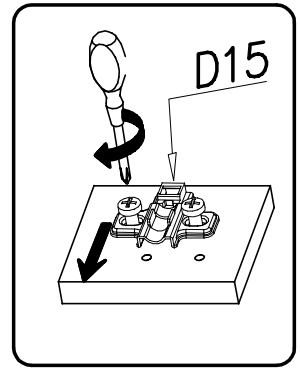
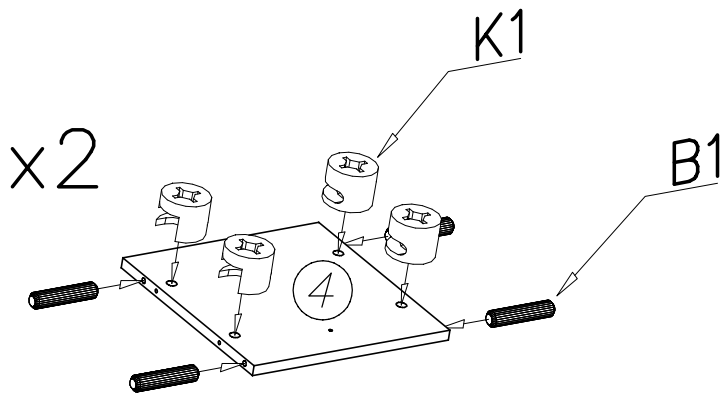
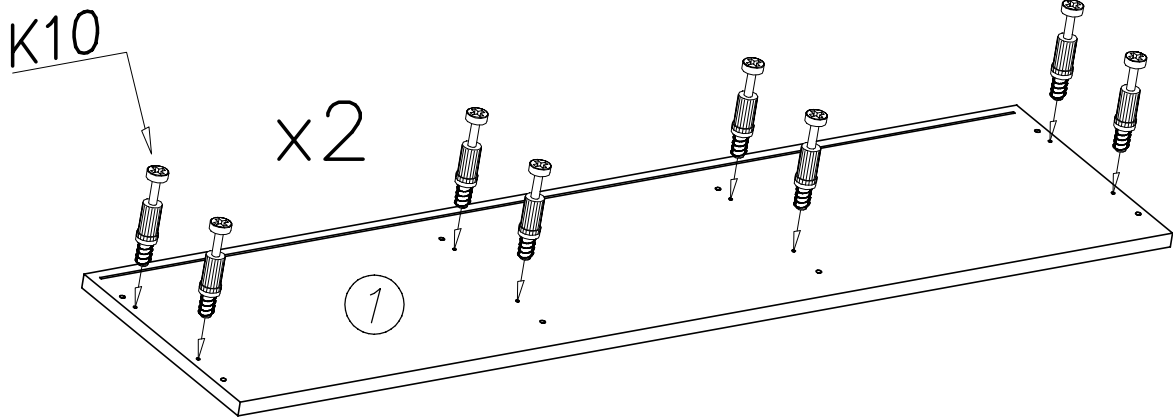
nr	L[mm]	W[mm]	T[mm]	QTY	Colli
1	1600	396	22	2	2/3
2	328	500	16	2	1/3
3	336	394	22	2	1/3
4	336	348	16	2	1/3

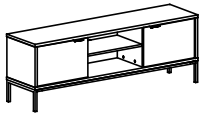
nr	L[mm]	W[mm]	T[mm]	QTY	Colli
5	542	346	16	1	1/3
6	1566	348	3	1	2/3
103	352	18	18	2	3/3
104	1556	18	18	2	3/3
111	175	18	18	4	3/3

I7 ø18 x...(16)	C15 Z35CL x...(4)	D15 PZ35CL x...(4)	M11 x...(2)	F2 x...(4)
K1 ø15x12 x...(16)	I1 x...(8)	G8 Black/Schwarz 4x30 x...(8)	E97 64mm x...(2)	R5 x...(4)
K10 x...(16)	B1 ø8x35 x...(16)	G34 3,5x16 x...(16)	N36 M5x10 x...(16)	W7 3mm x...(1)

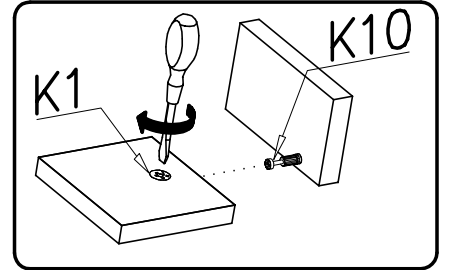
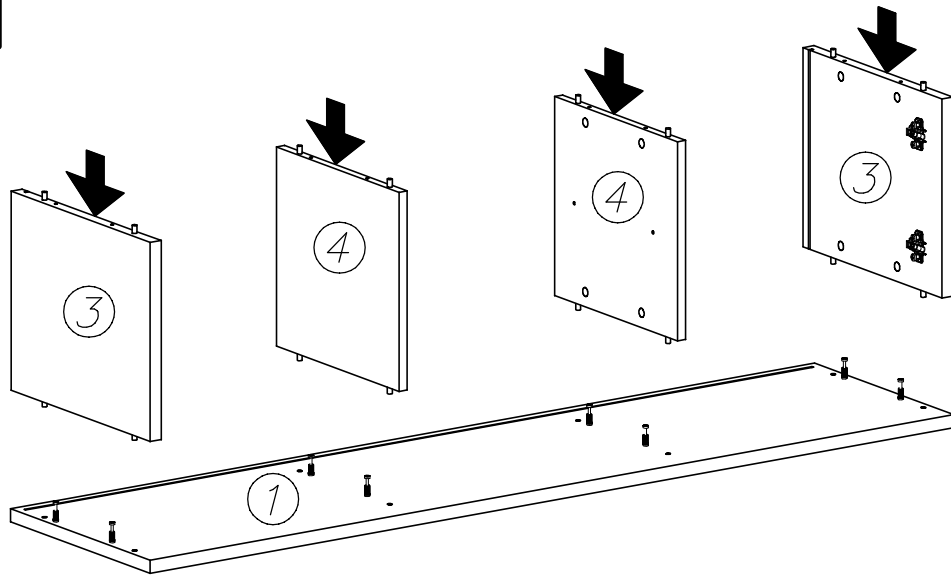


I

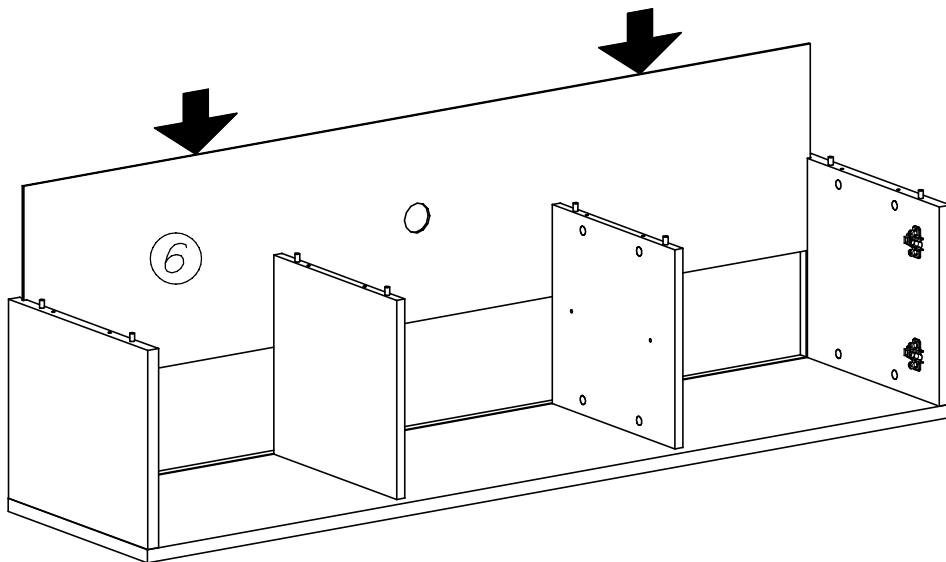




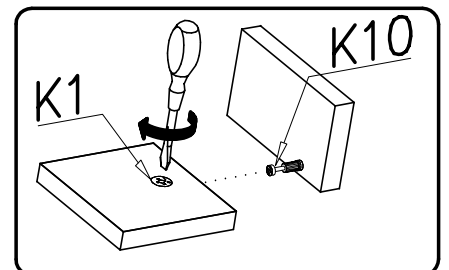
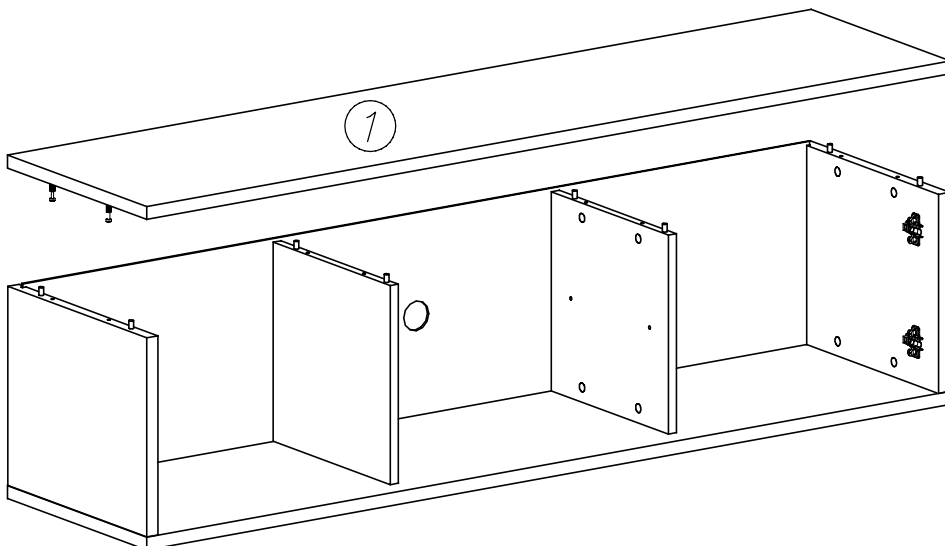
II

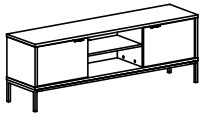


III

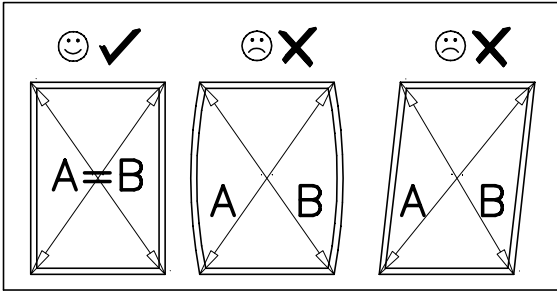
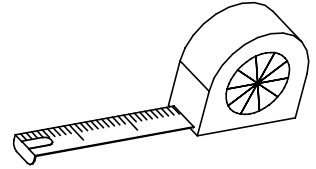
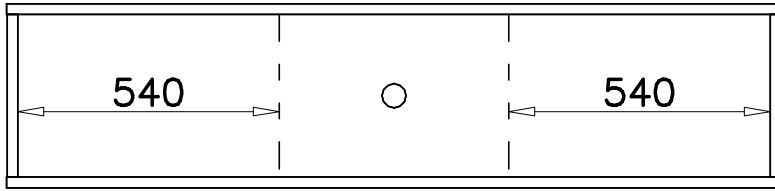


IV

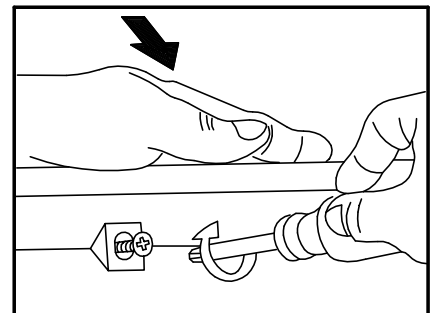
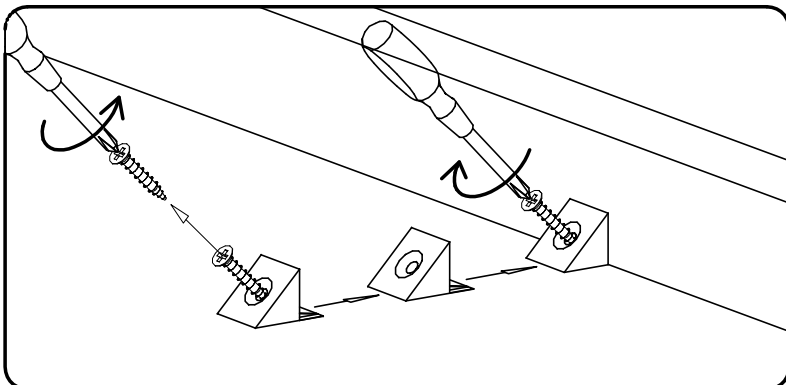
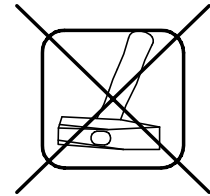
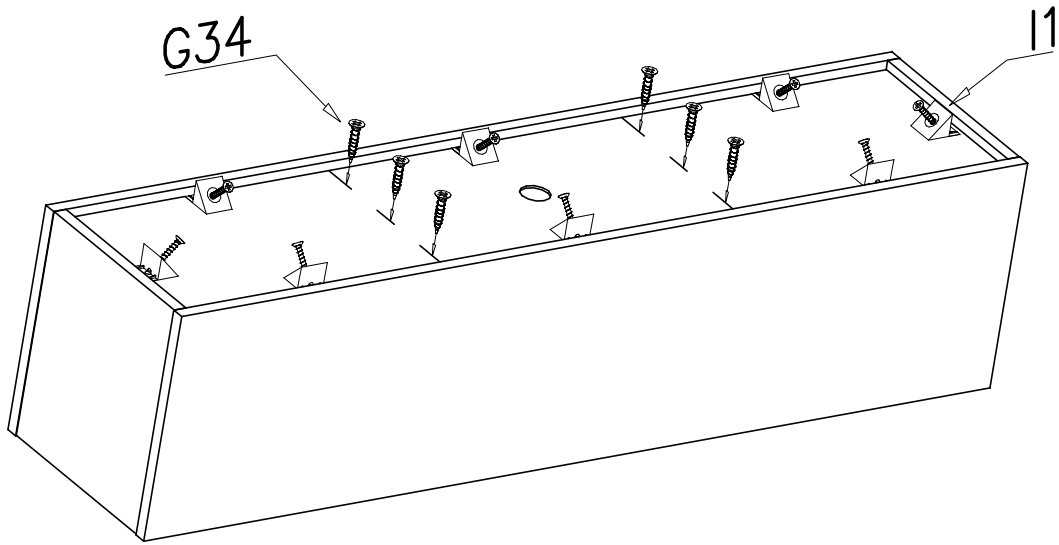


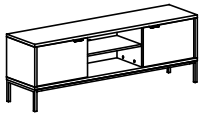


V

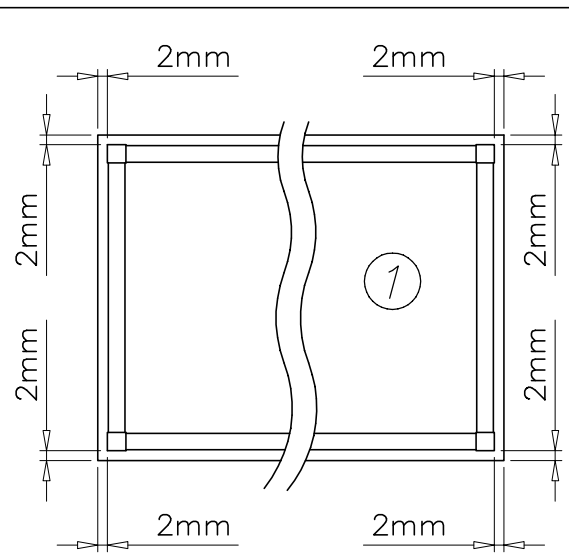
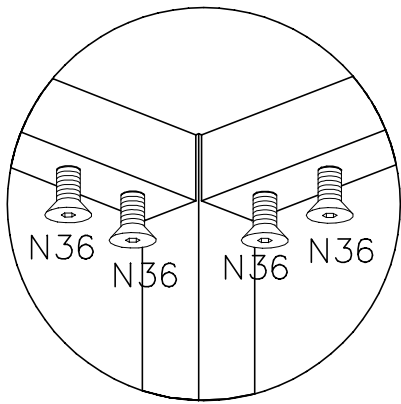
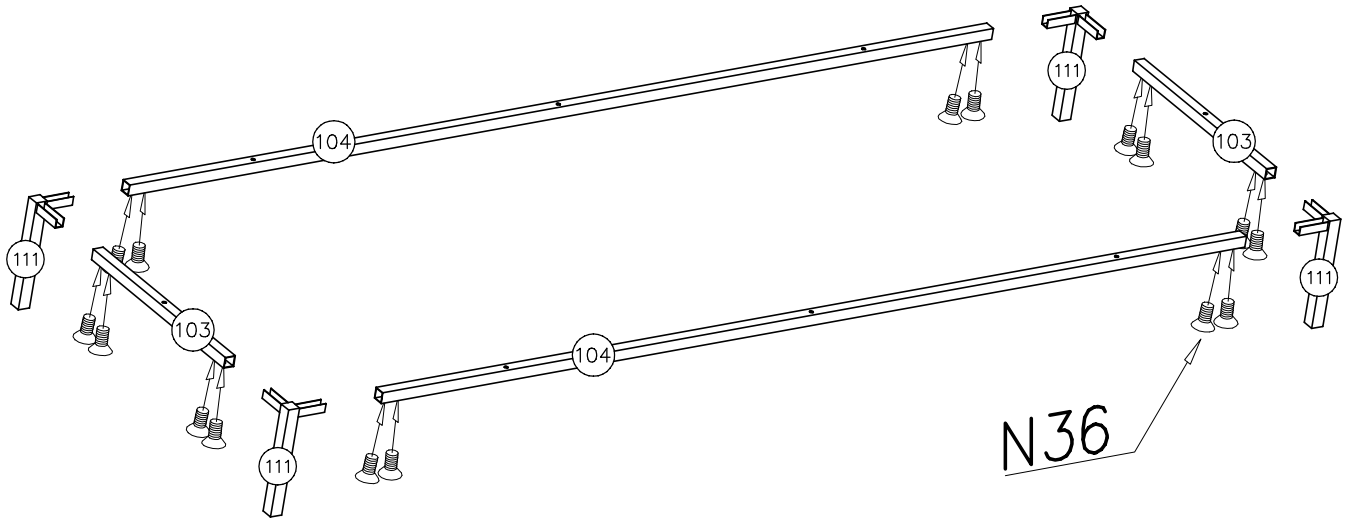


A=B

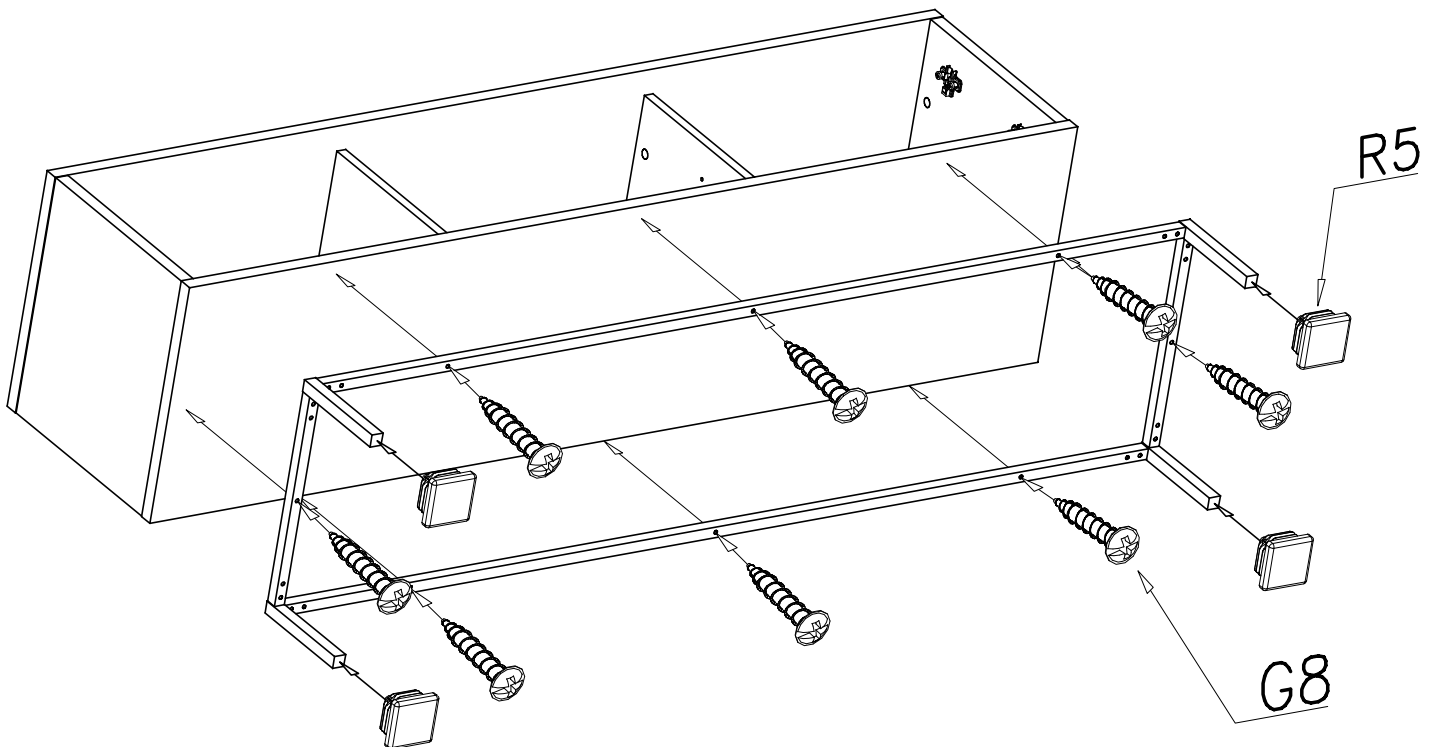


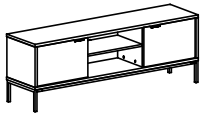


VI

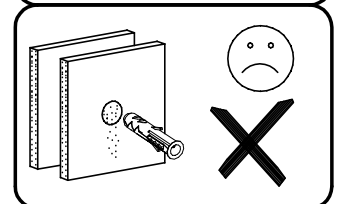
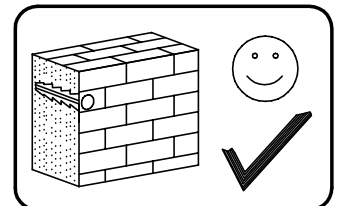
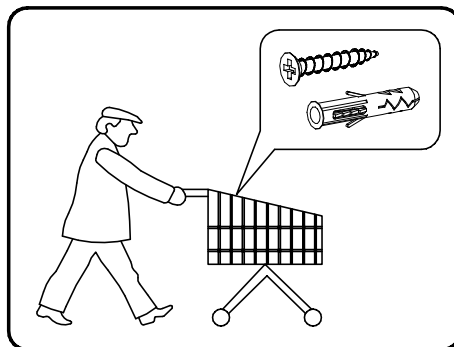
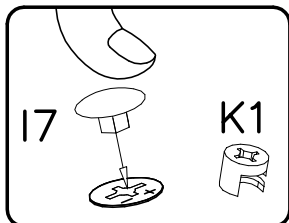
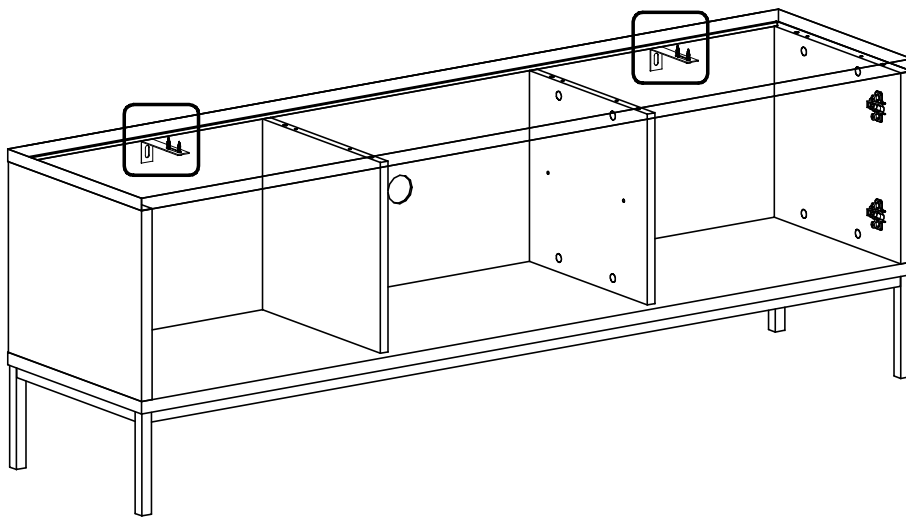
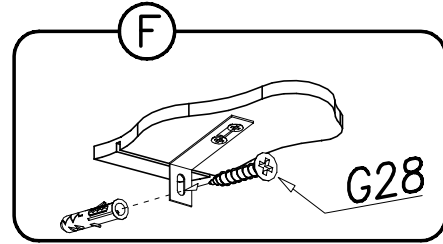
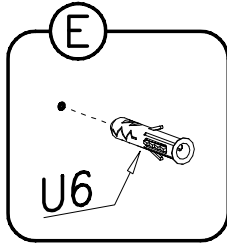
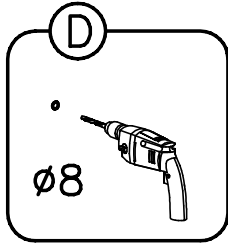
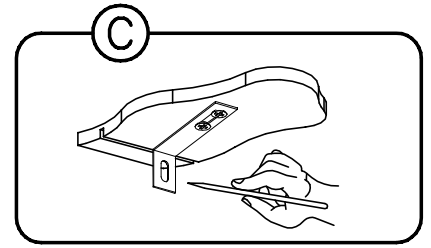
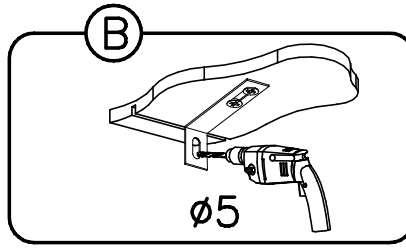
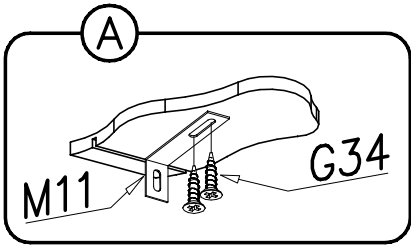


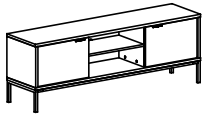
VII



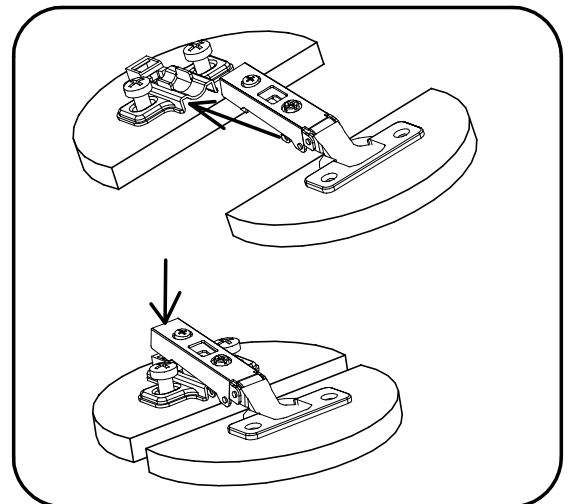
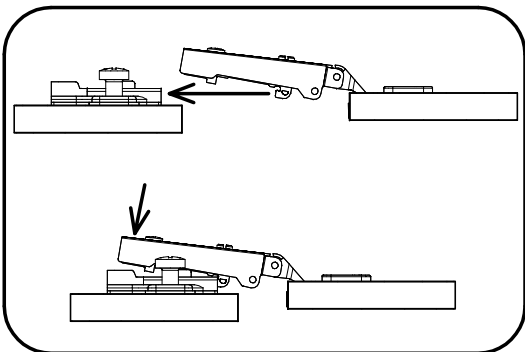
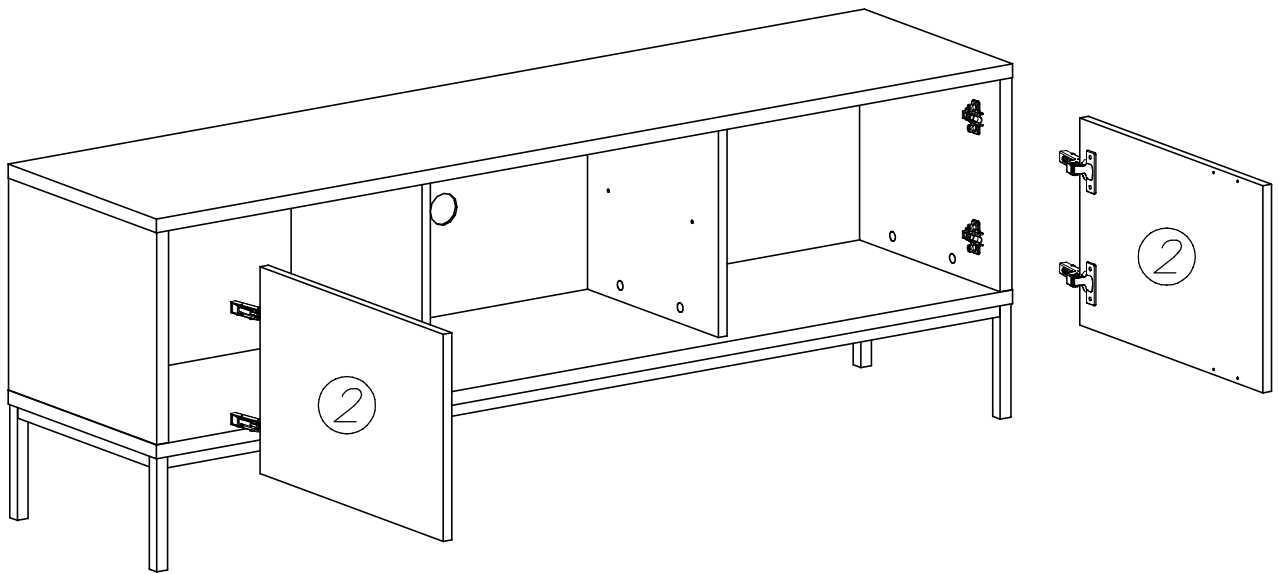
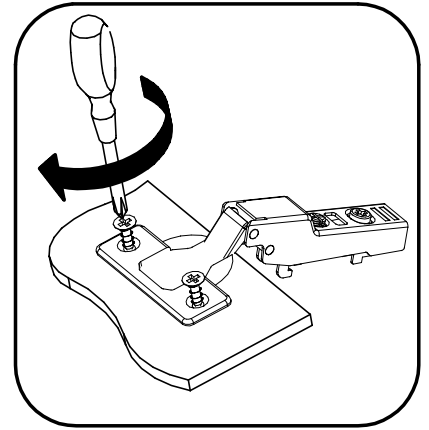
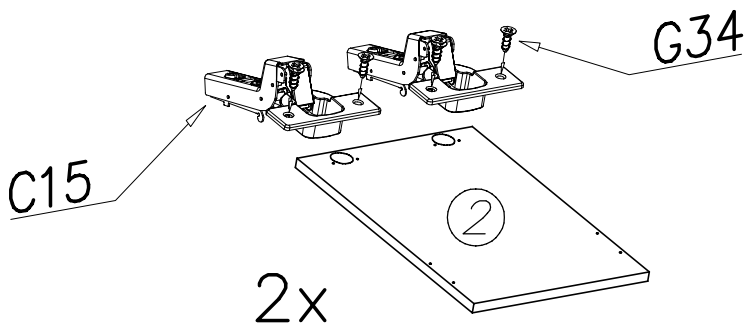


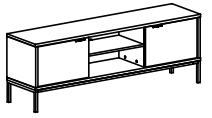
VIII



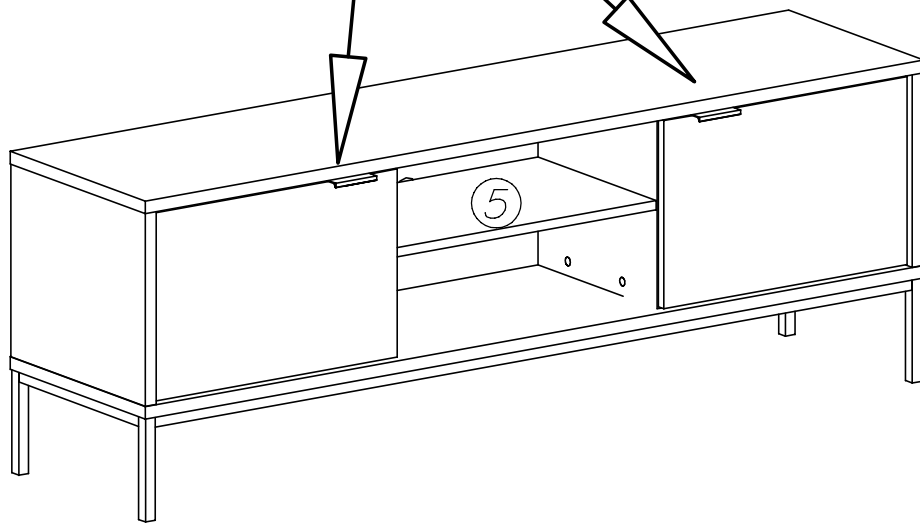
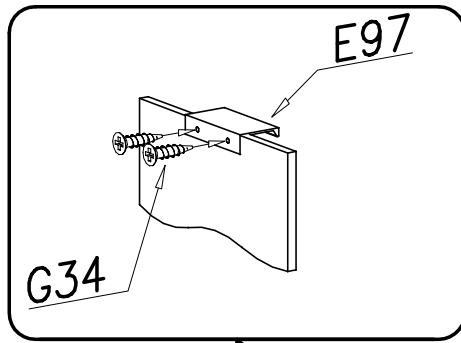


IX

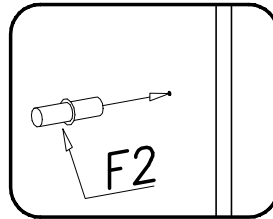




X



1



2

