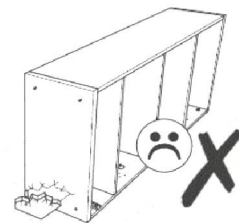
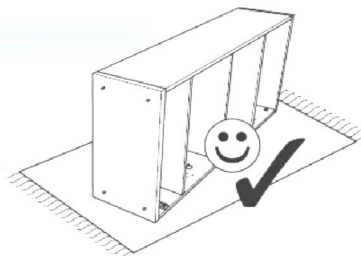
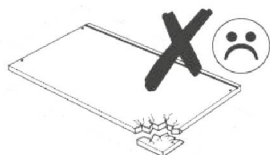
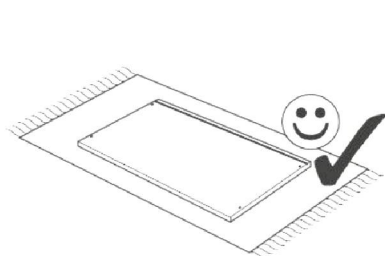
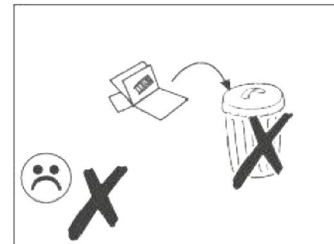
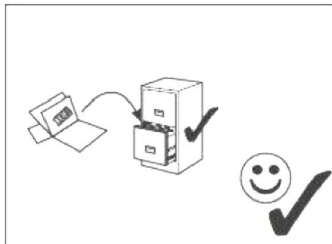
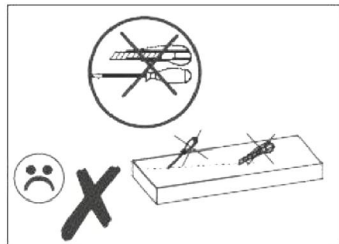
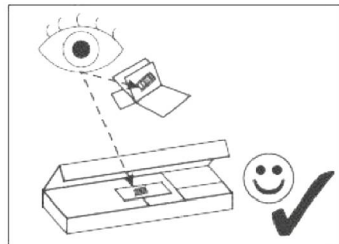
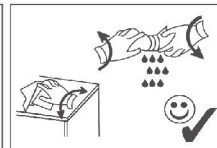
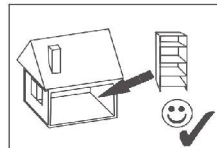
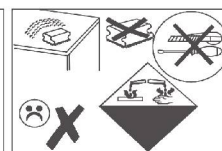
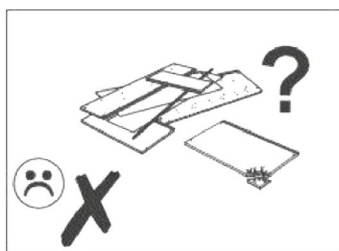
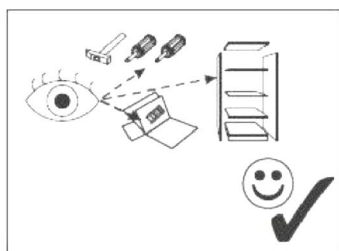
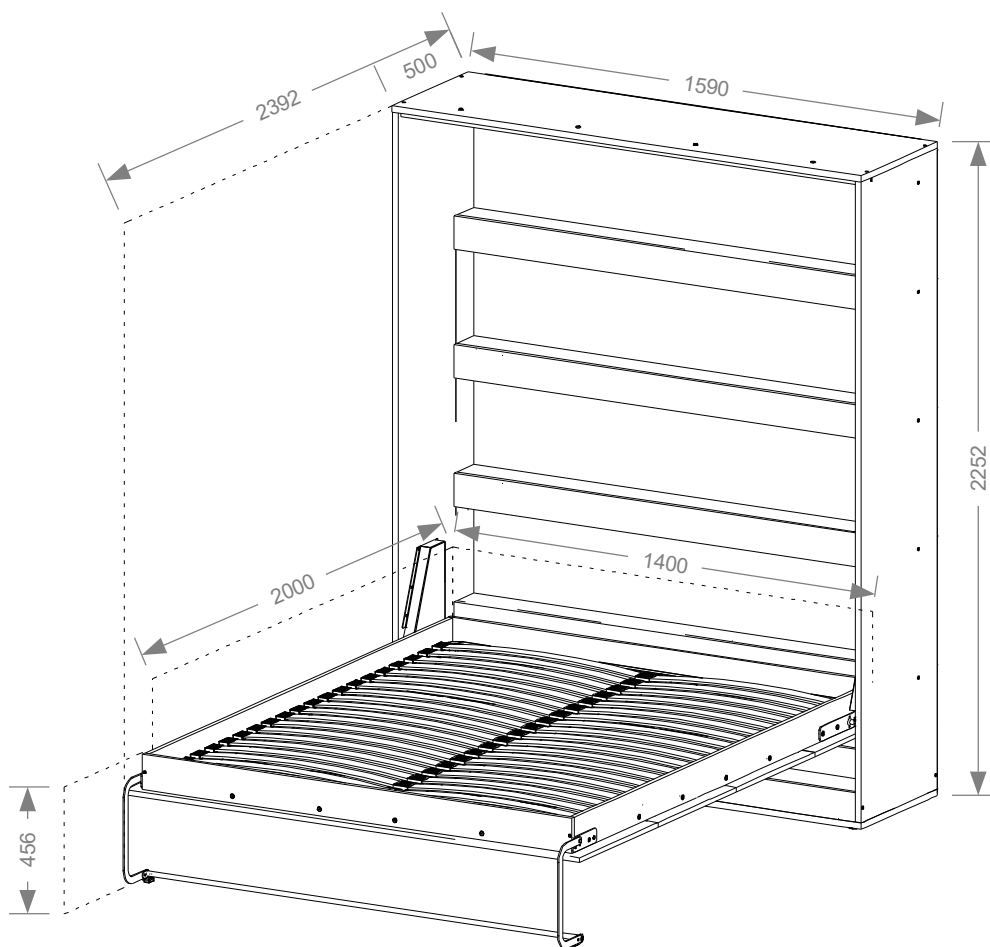
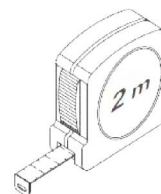
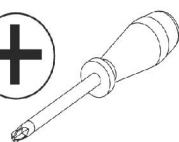
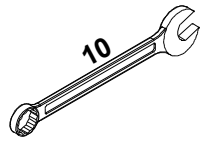
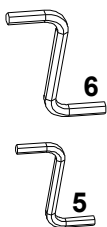
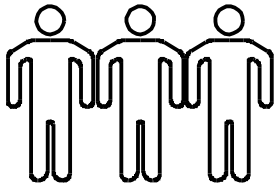
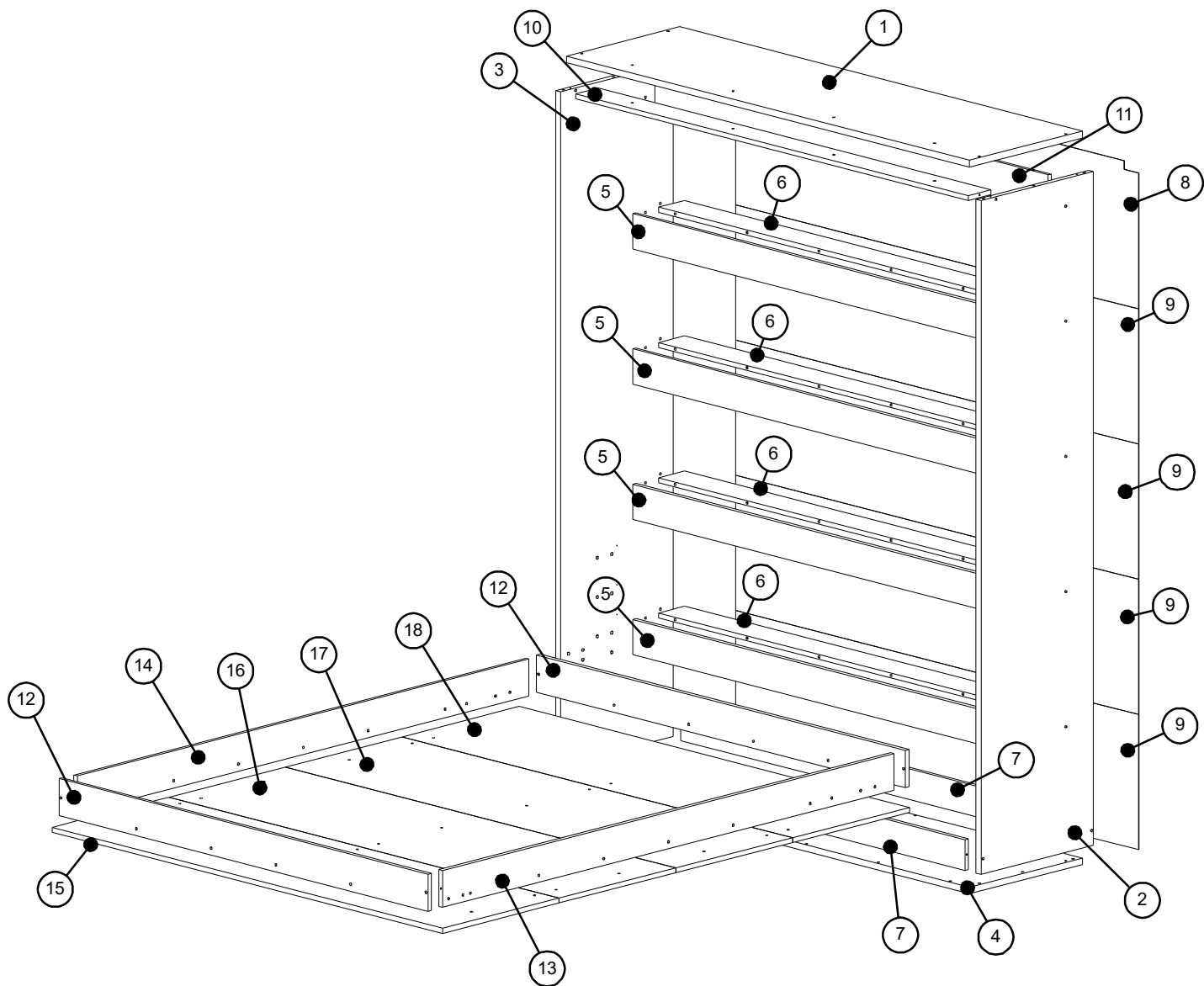
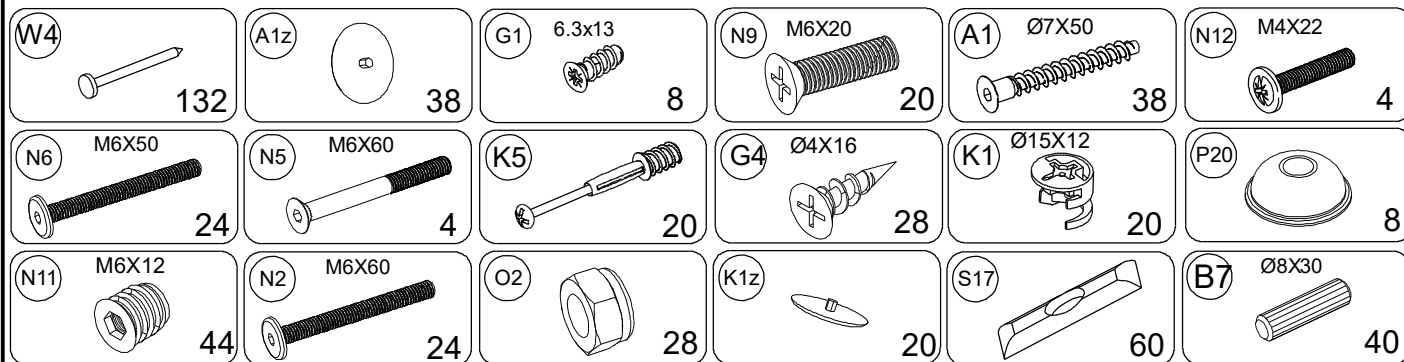


240 min



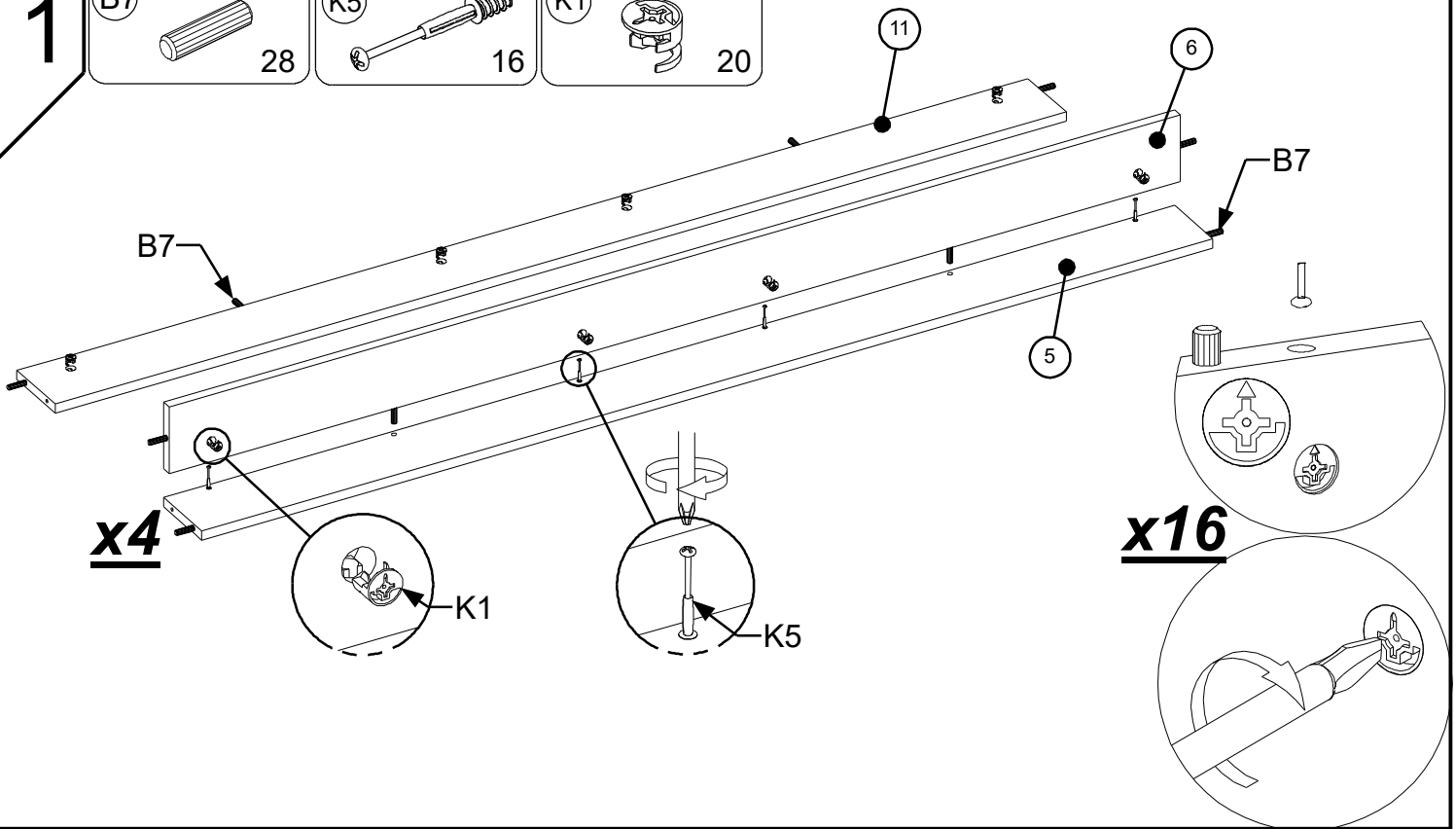
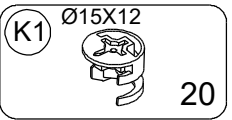
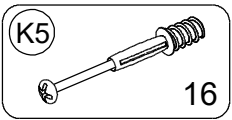
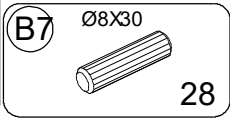


1/5	2, 3, 7, 11, 12, 13, 14, assembly instructions
2/5	1, 4, 5, 6, 8, 9
3/5	16, 17, 18, 19
4/5	Steel frame, mechanism, fittings
5/5	Handle, LED lights

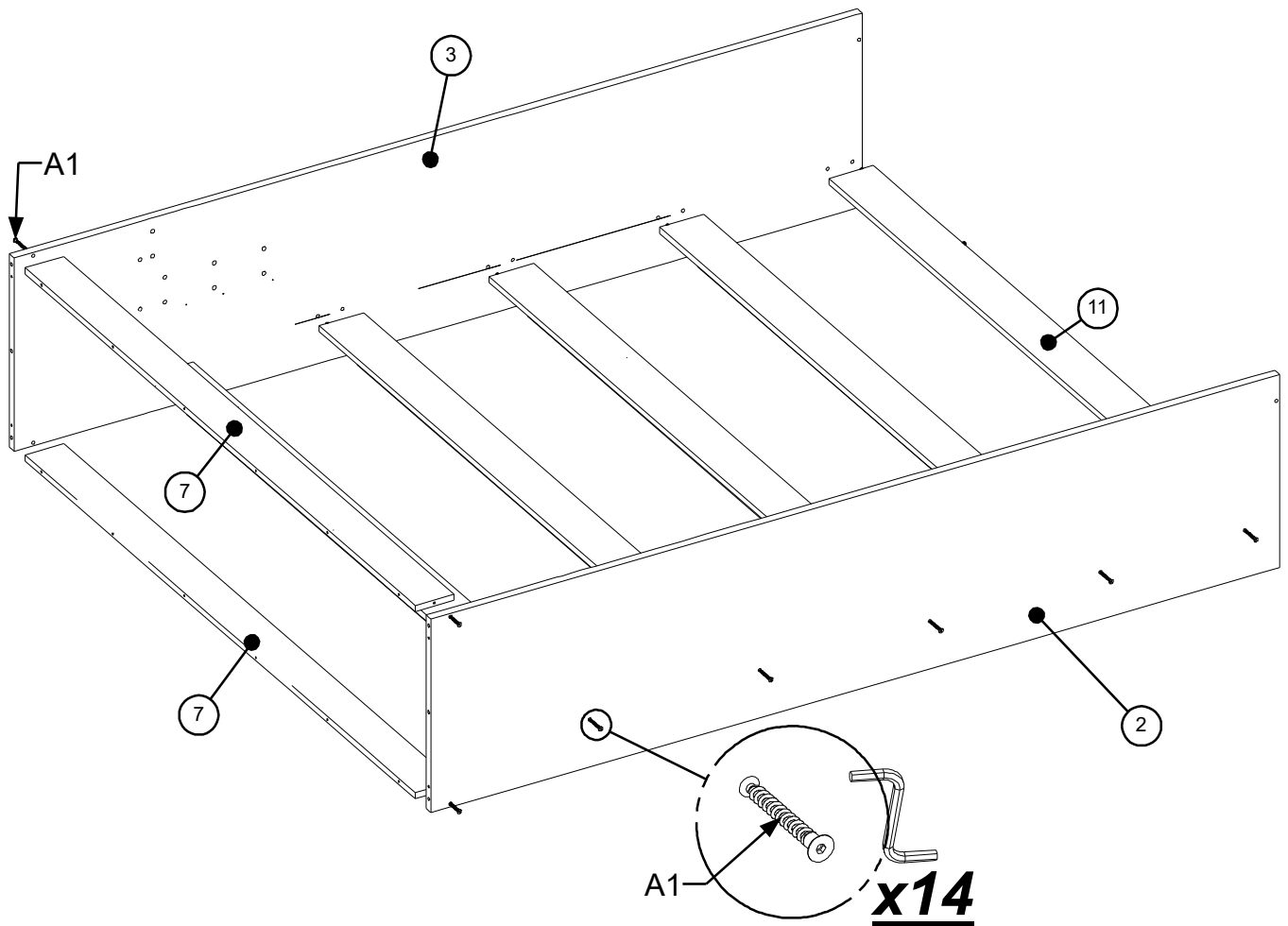
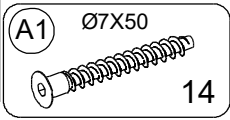


0 1 2 3 4 5 6 7 8 9 10 11 12 13 14 15 16 17 18

1



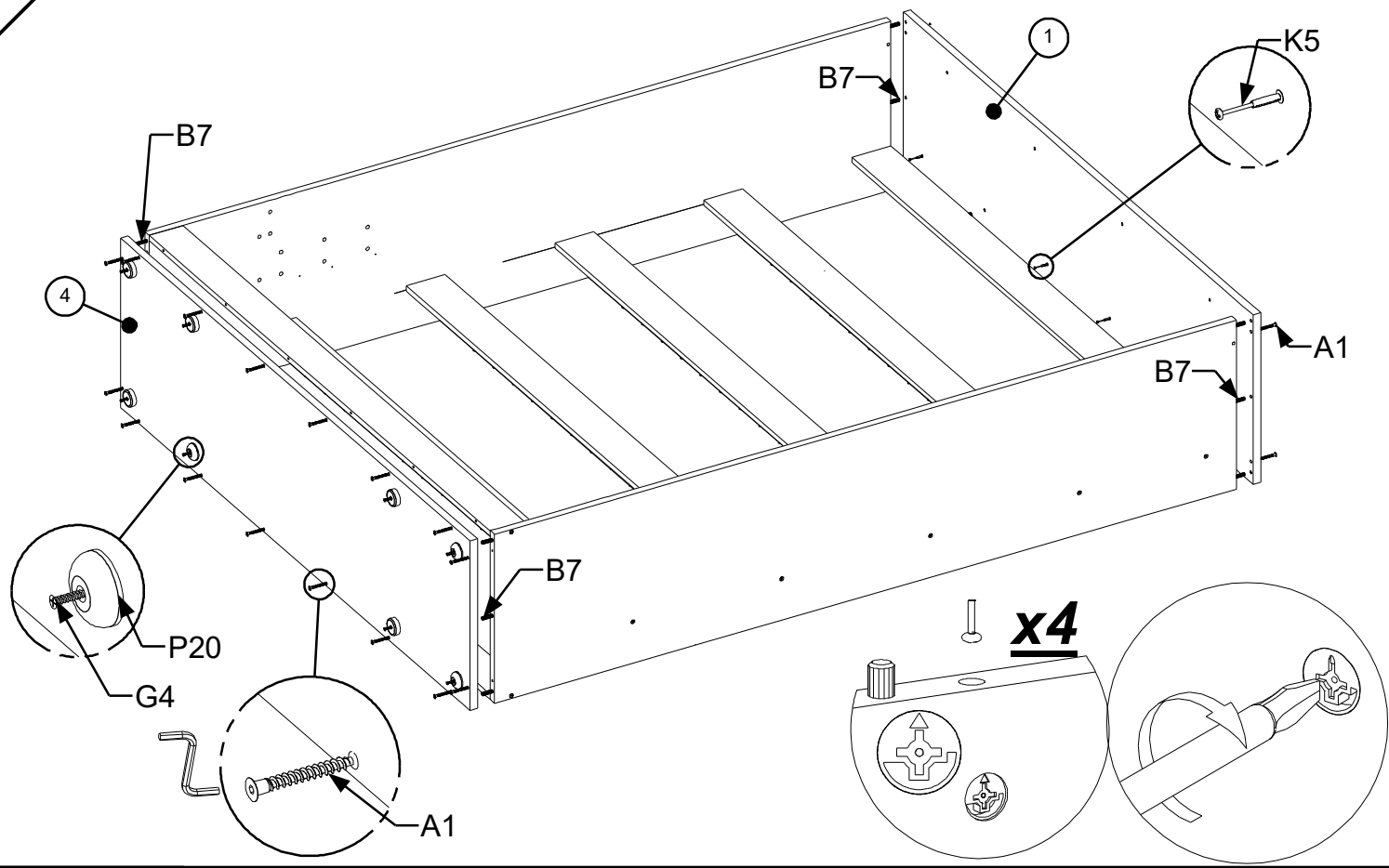
2



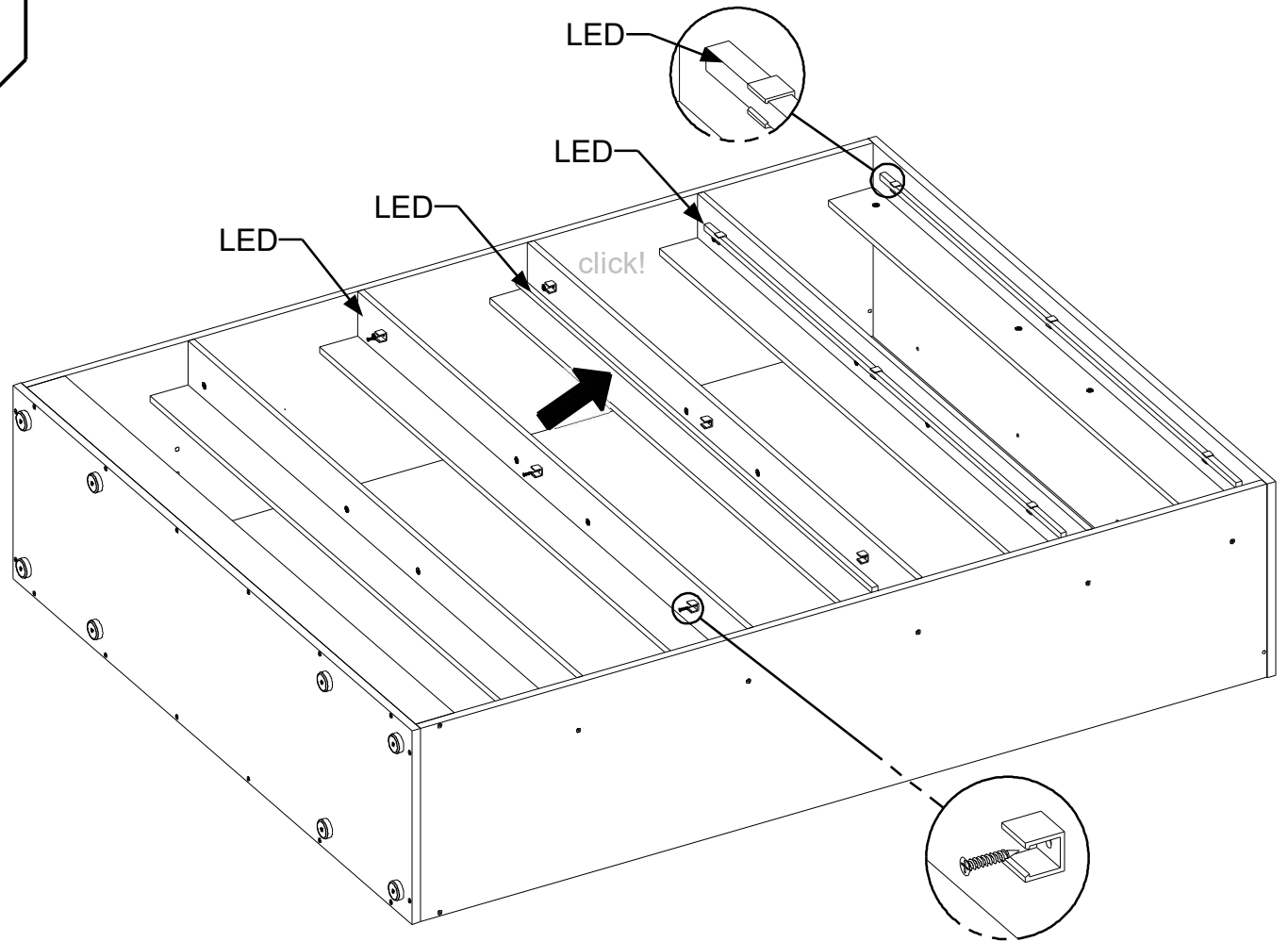
3

3

- (B7) Ø8X30 12
- (P20)
- (G4) Ø4X16 8
- (K5)
- (A1) Ø7X50 20

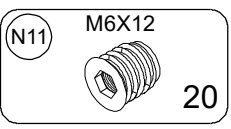
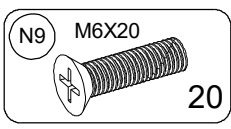
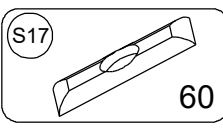
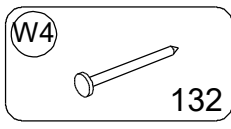


4

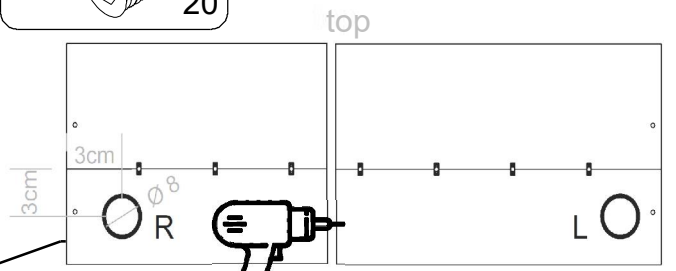
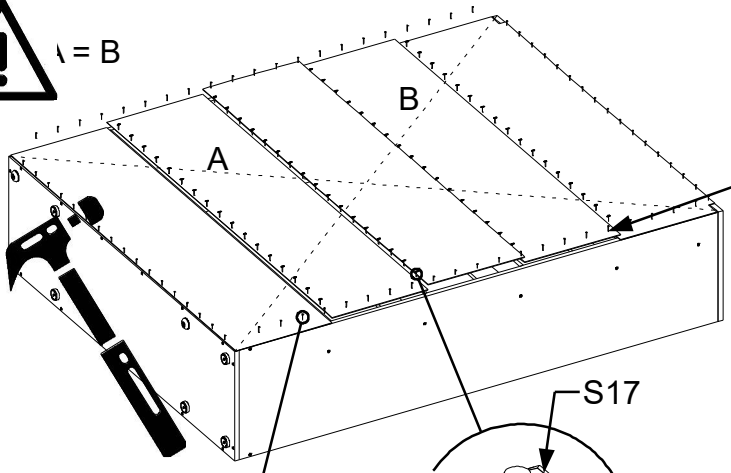


4

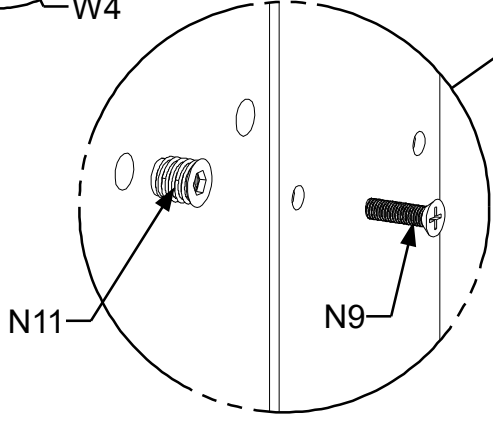
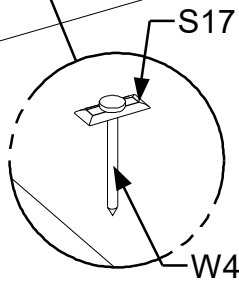
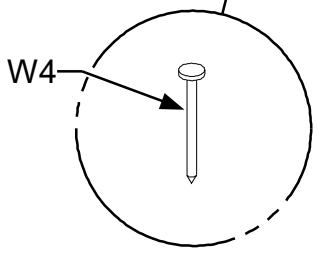
5



A = B

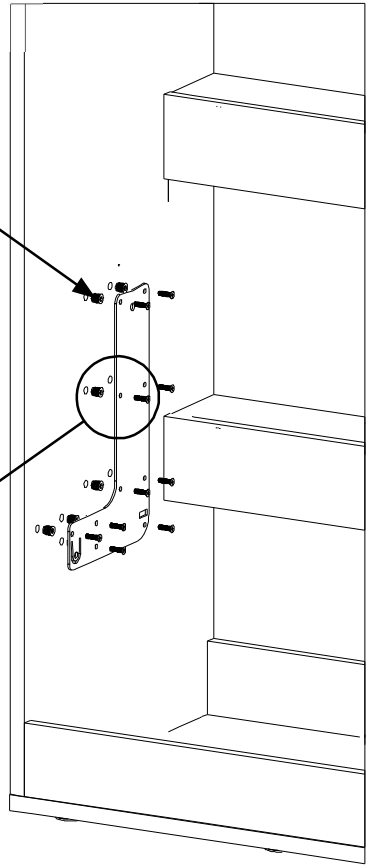


top

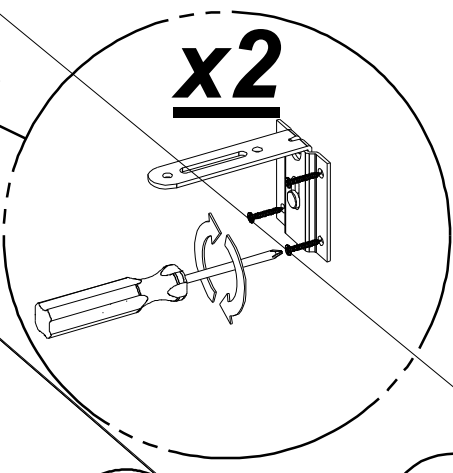
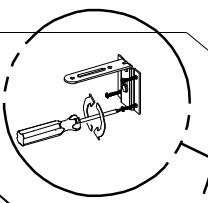
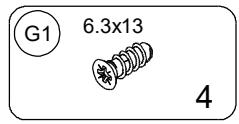


N11

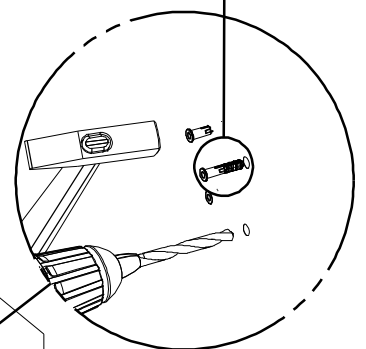
N9



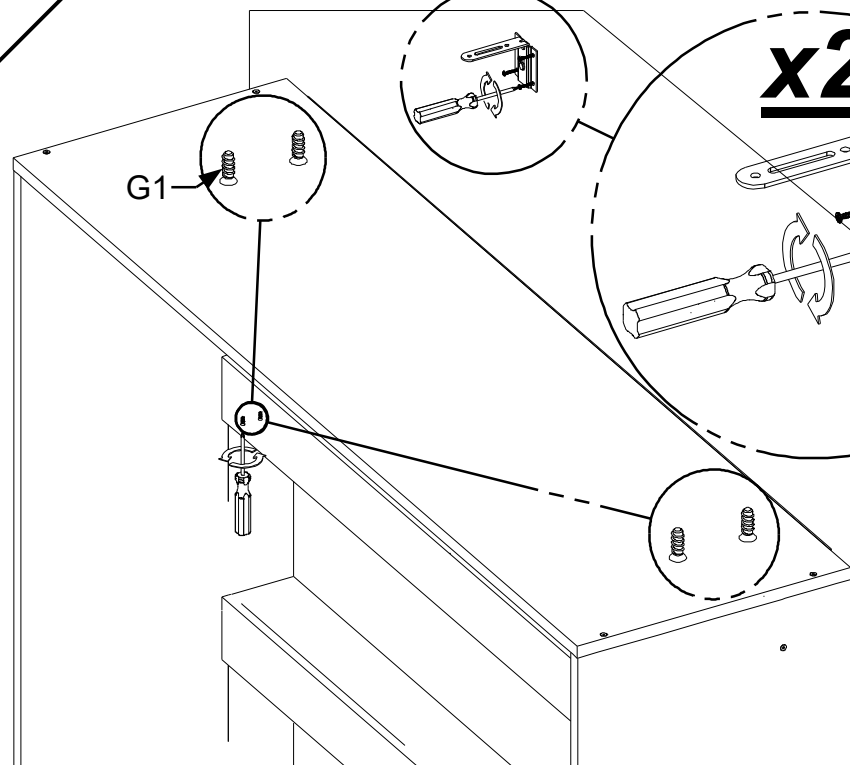
6



x2

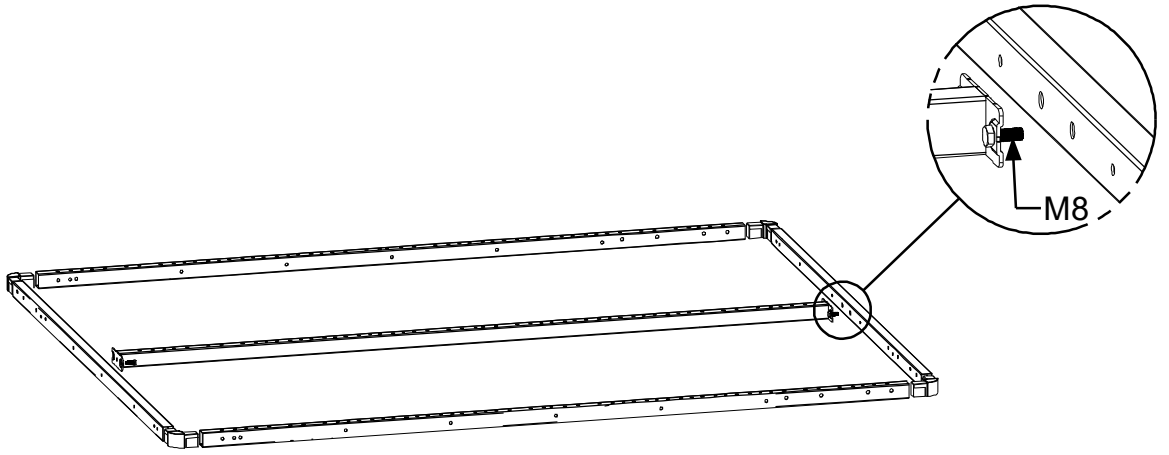


G1

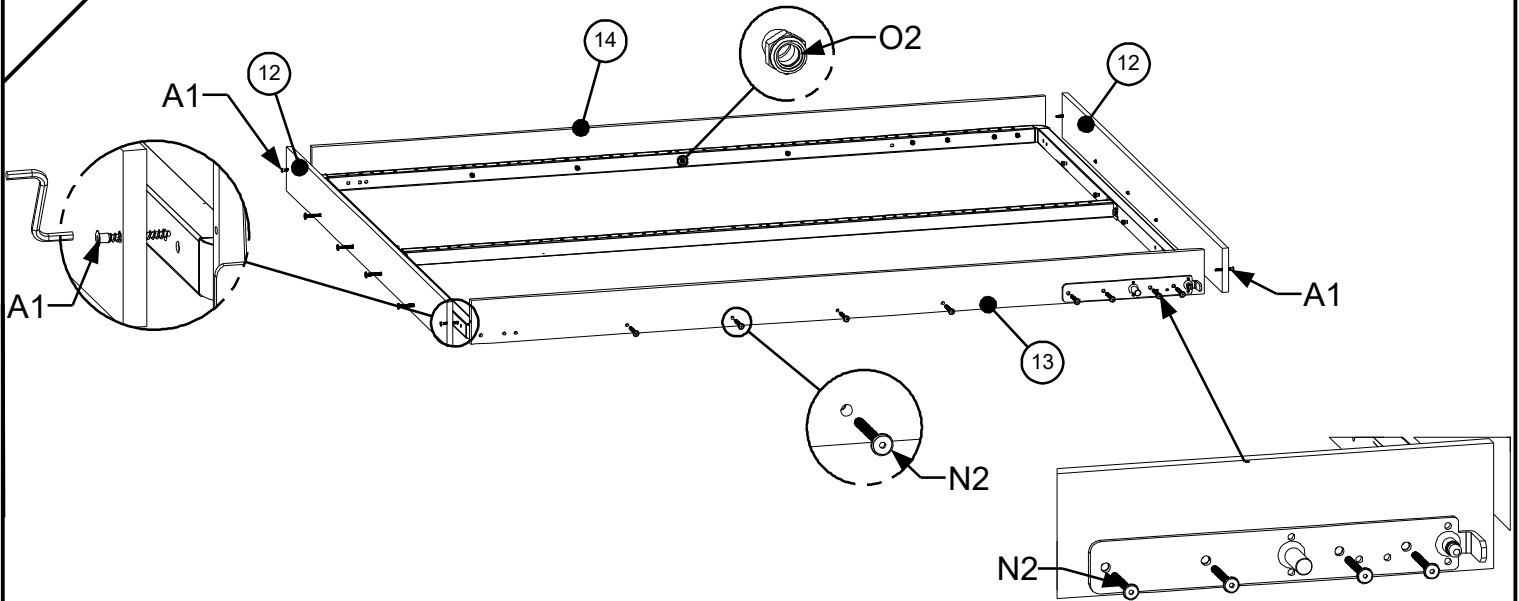
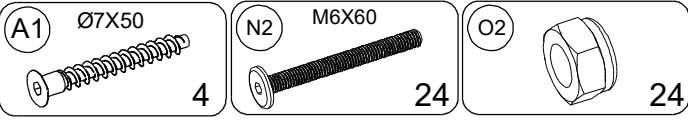


5

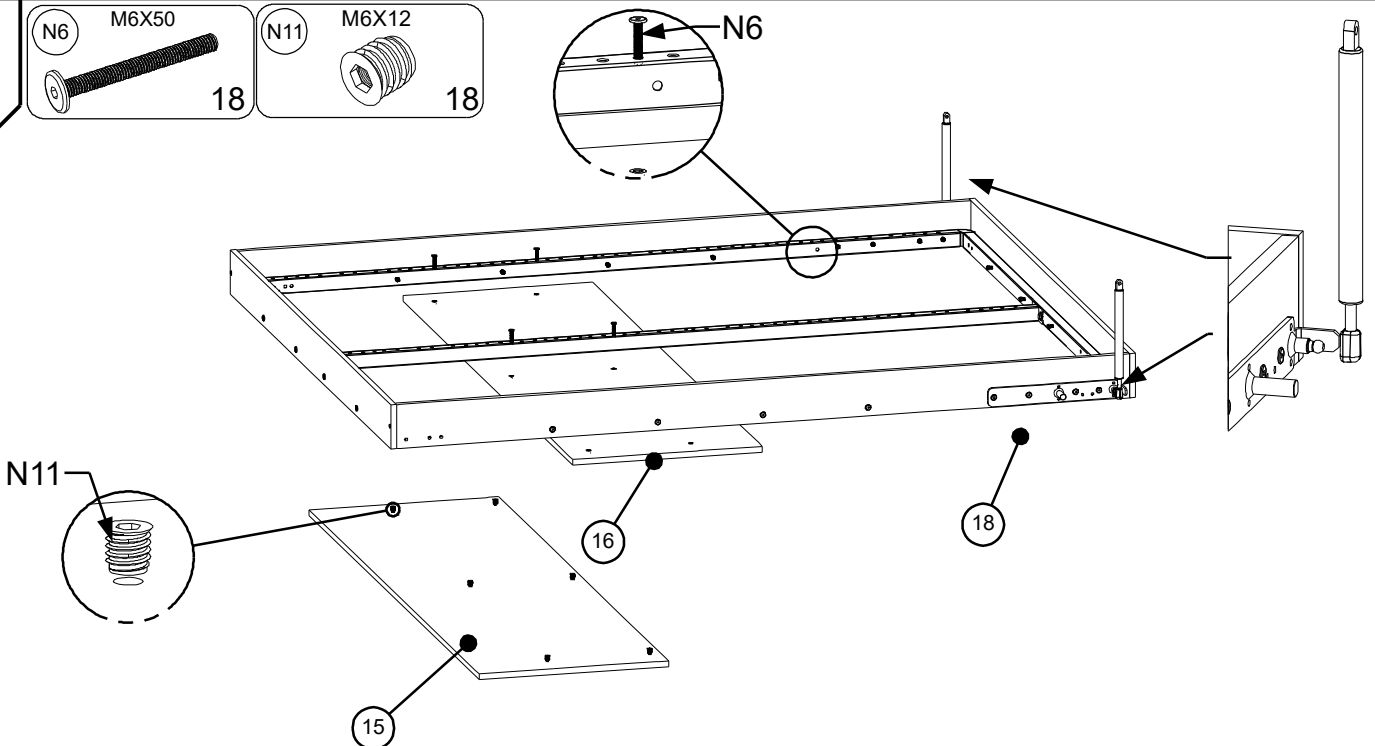
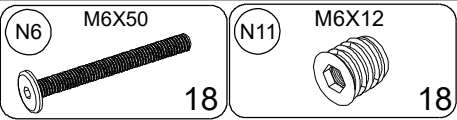
7



8



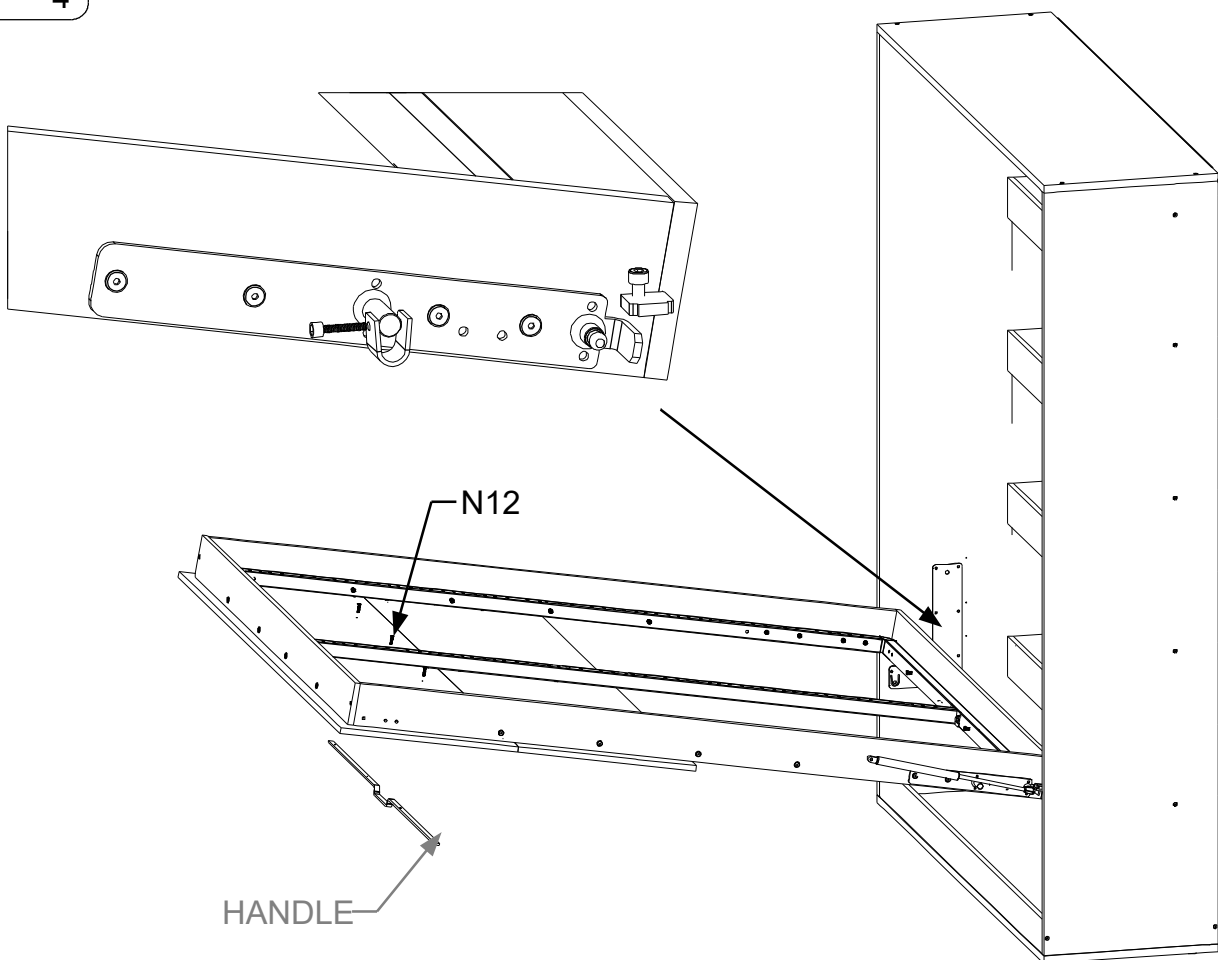

9



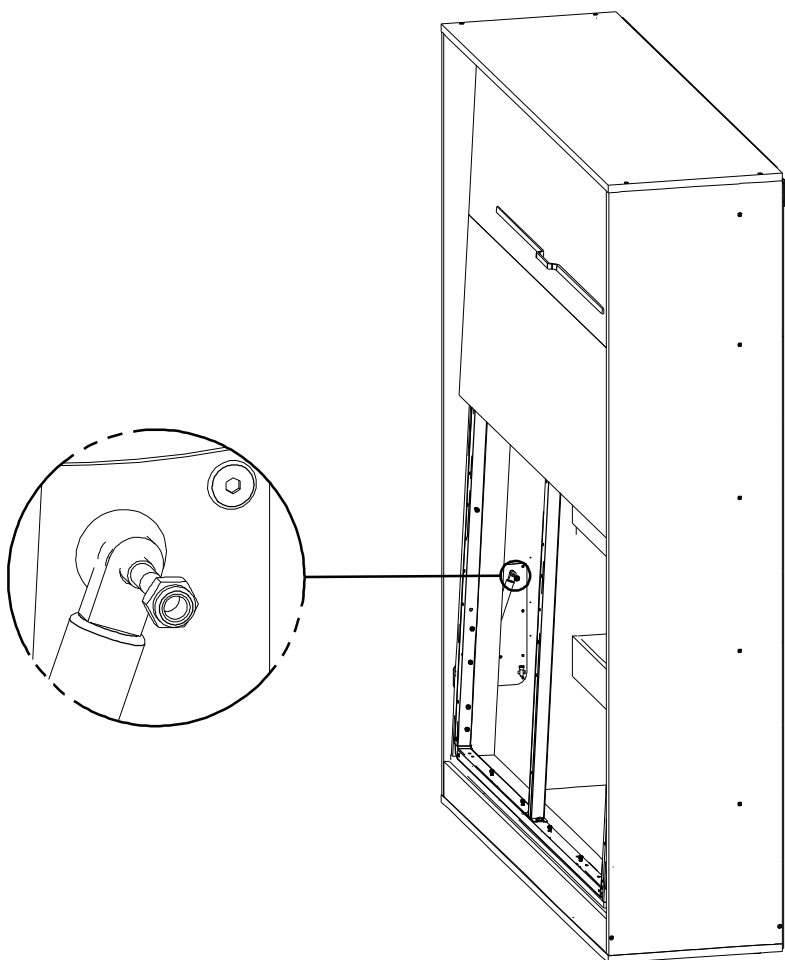
6

10

N12 M4X22 4

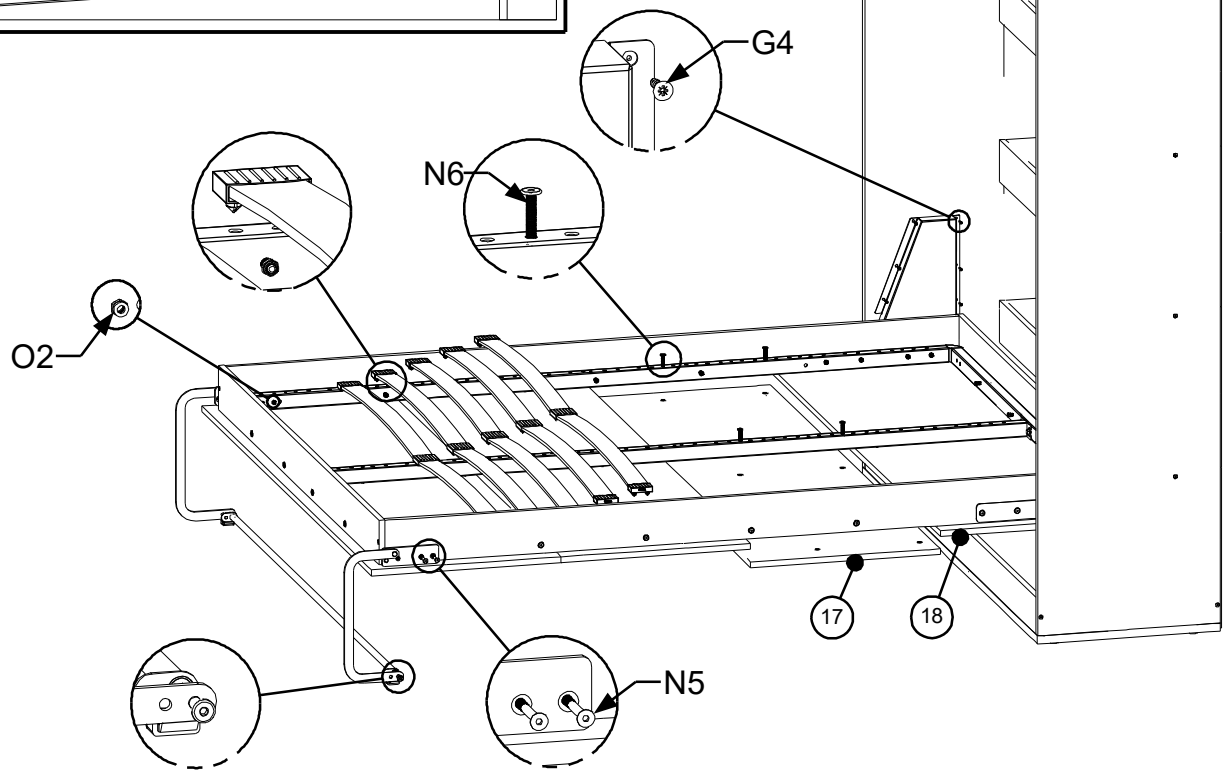
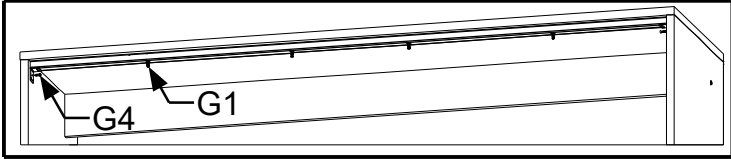


11



12

- G4 Ø4X16 14
- N6 M6X50 6
- G1 6.3x13 4
- N11 M6X12 6
- N5 M6X60 4
- O2 4



13

- G4 Ø4X16 6

