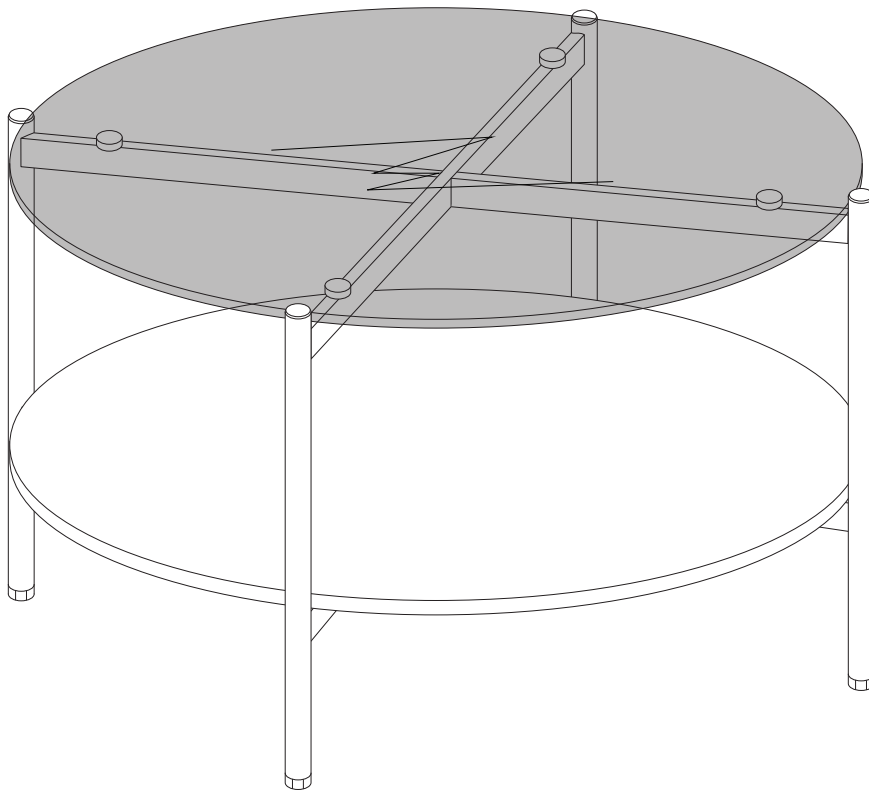
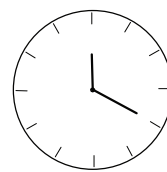
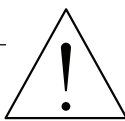
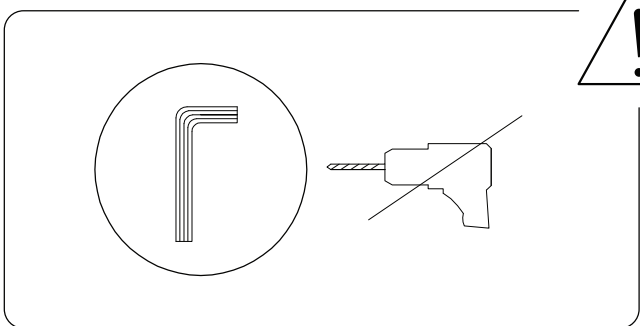
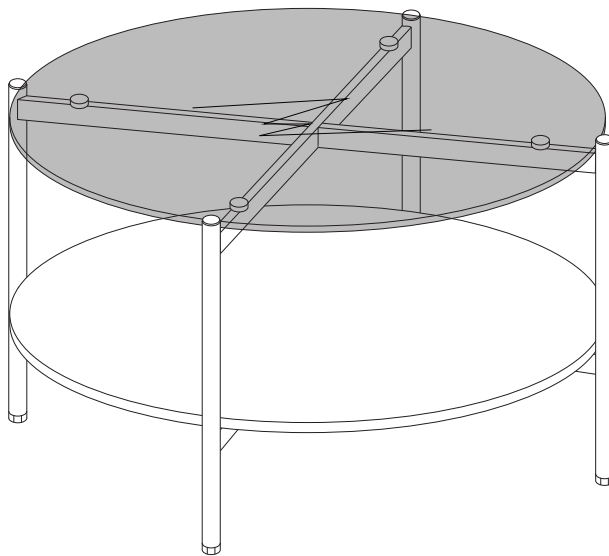
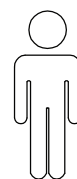
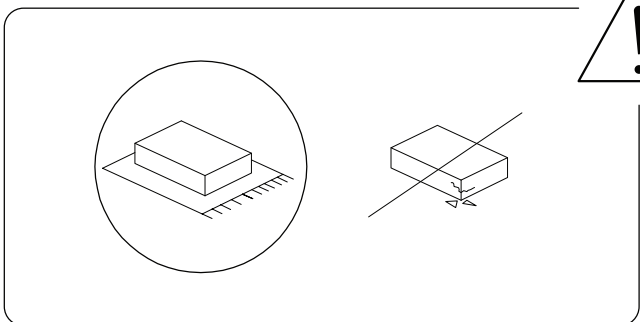


LOVELL



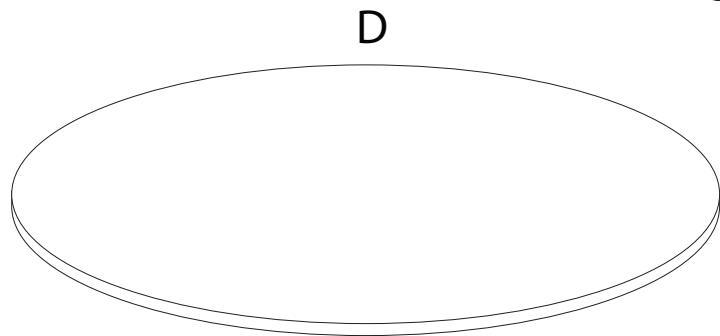
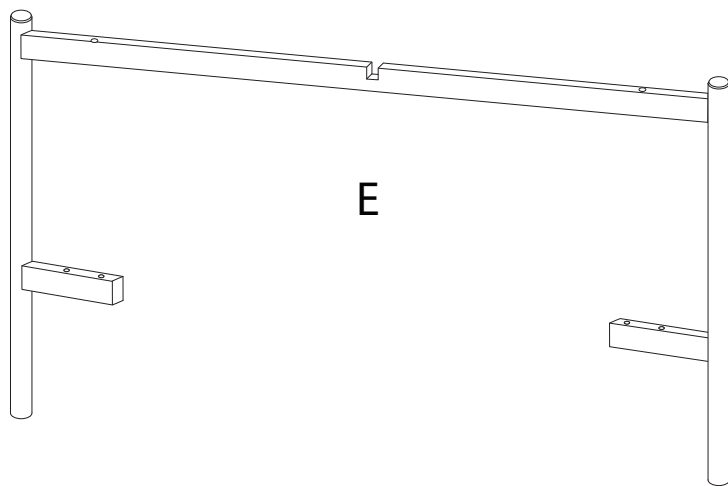
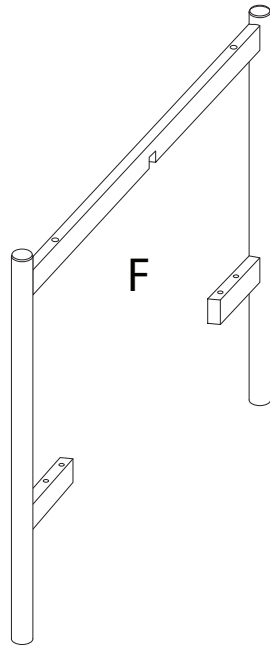
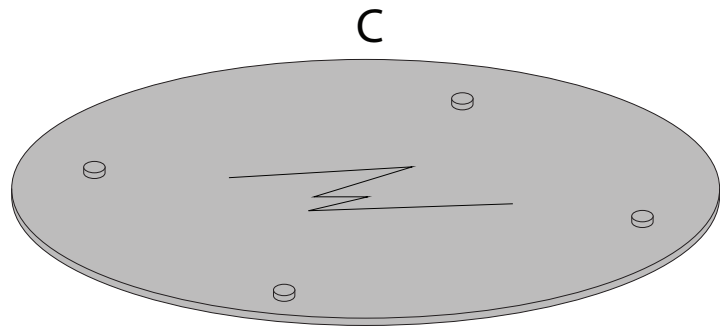


20'

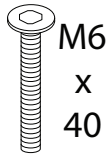


2

1/5

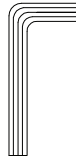


A



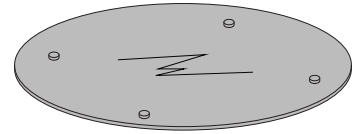
x 8

B



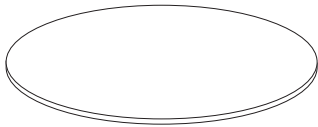
x 1

C



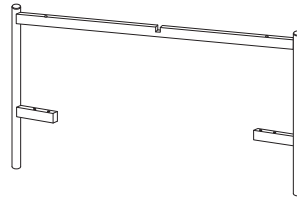
x 1

D



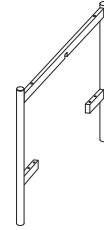
x 1

E



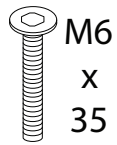
x 1

F



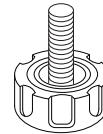
x 1

G



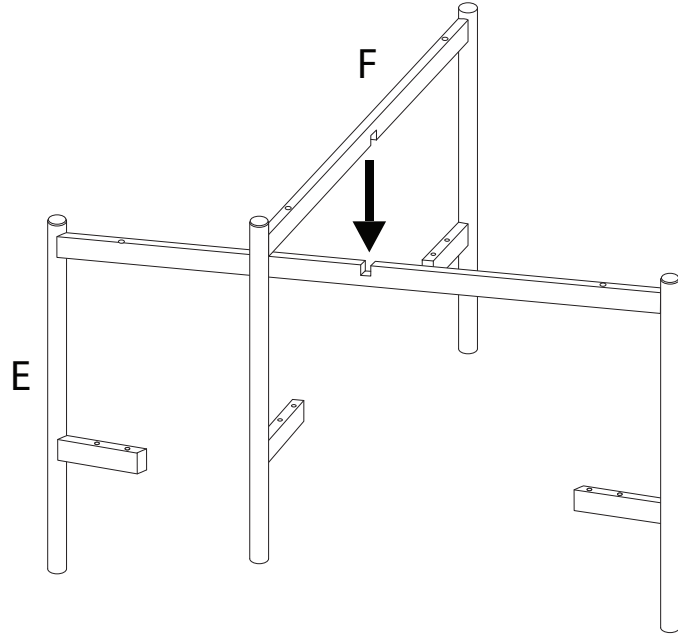
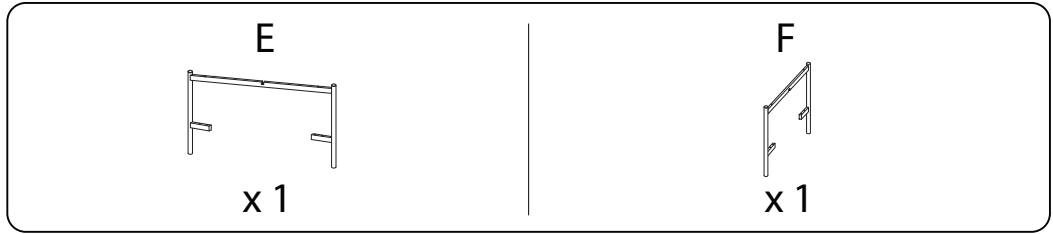
x 4

H

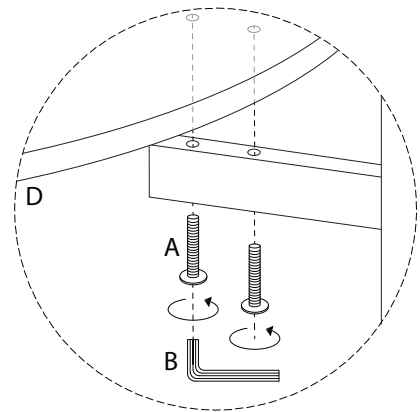
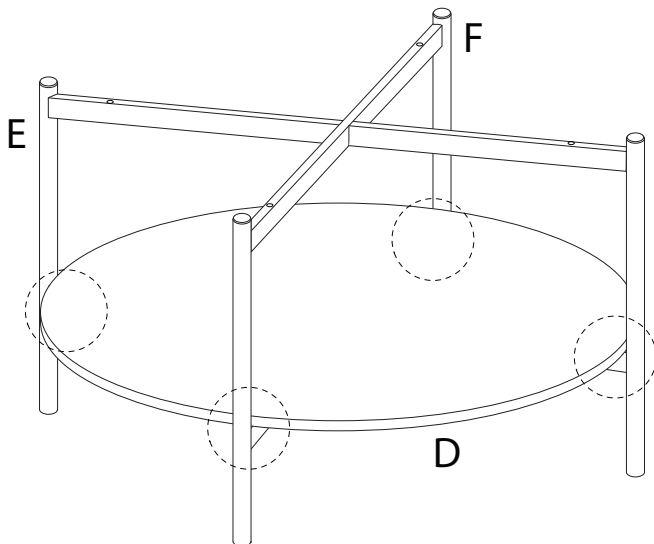
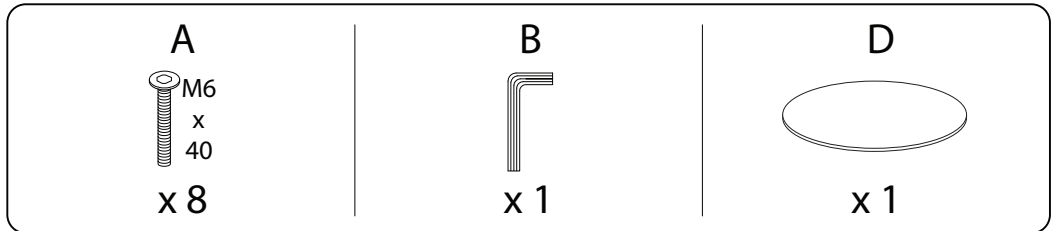


x 4

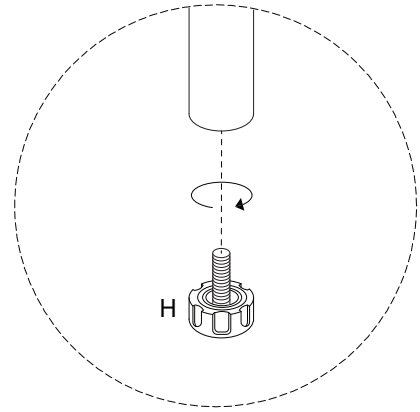
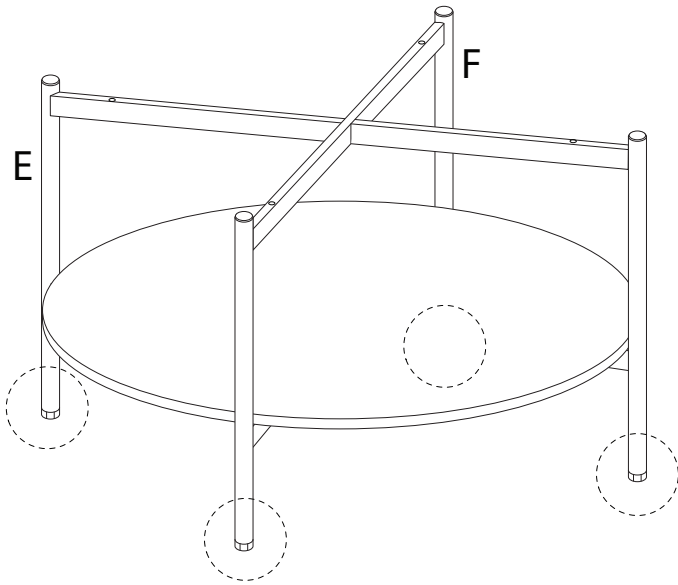
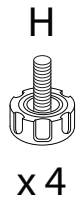
1



2



3



4

