

# ASSEMBLY INSTRUCTION

MODEL : 243569-MC

DESCRIPTION : MULTIPURPOSE CABINET

HARDWARE

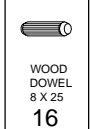
A



A5



B



C



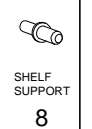
D



E



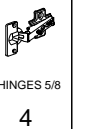
F



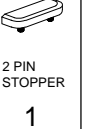
G



H



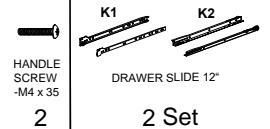
I



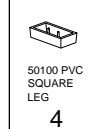
J



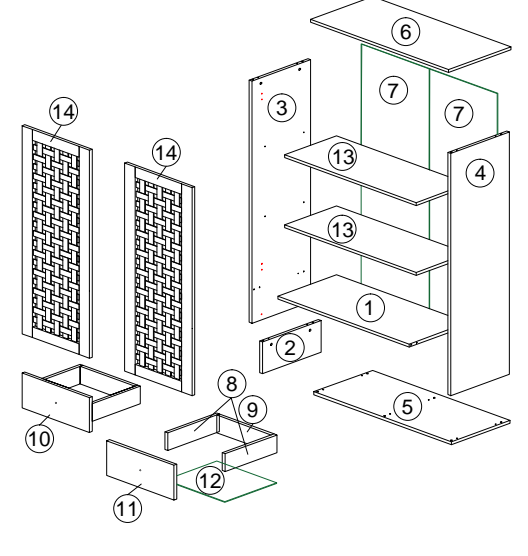
K



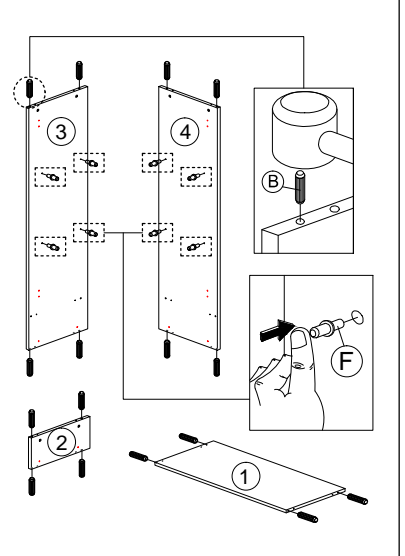
L



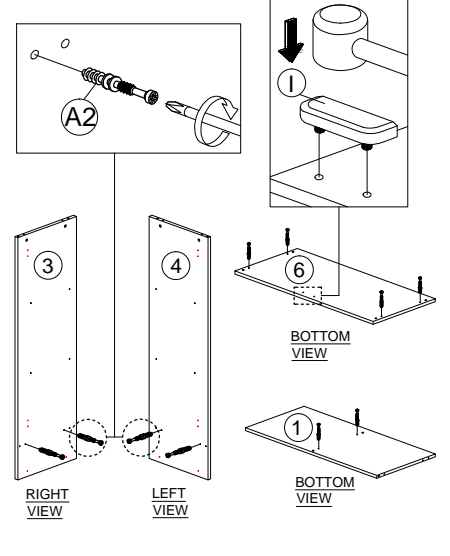
## PART LIST



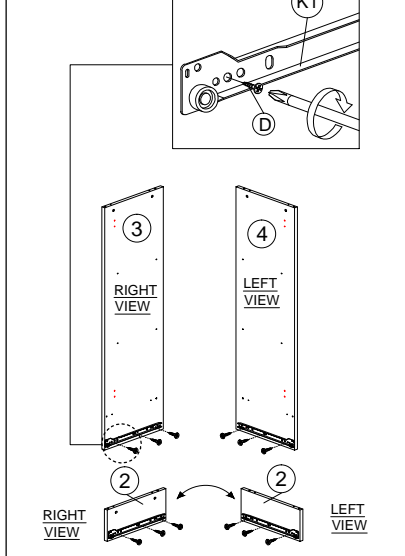
## STEP 1



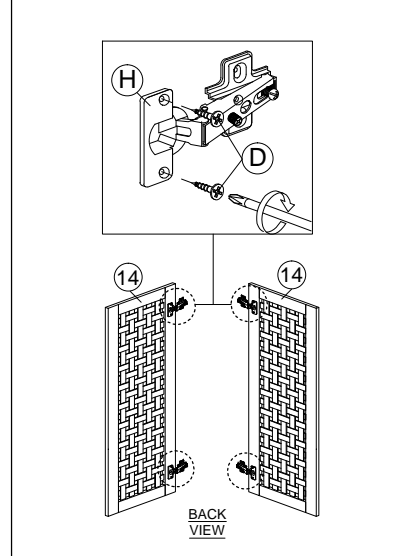
## STEP 2



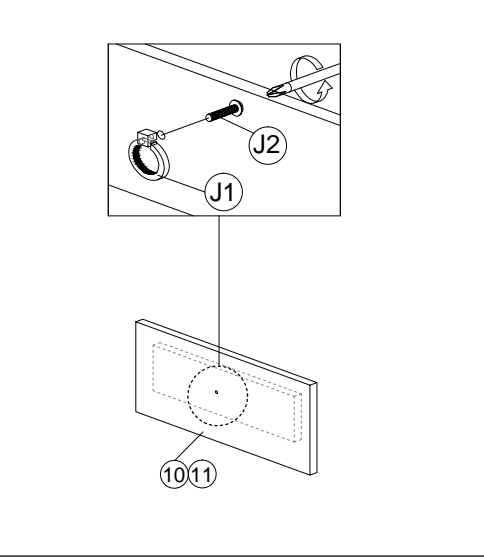
## STEP 3



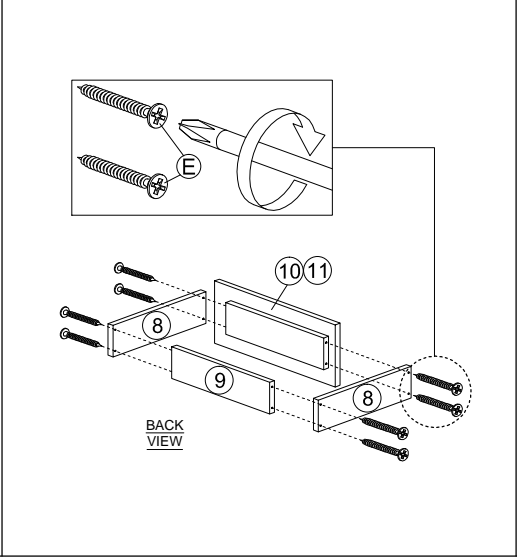
## STEP 4



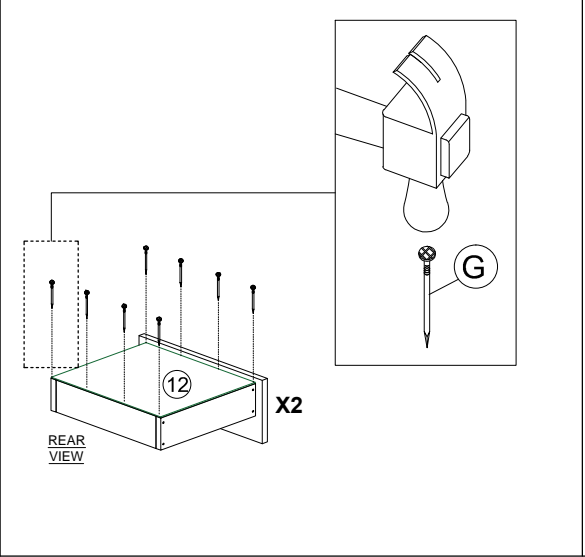
## STEP 5



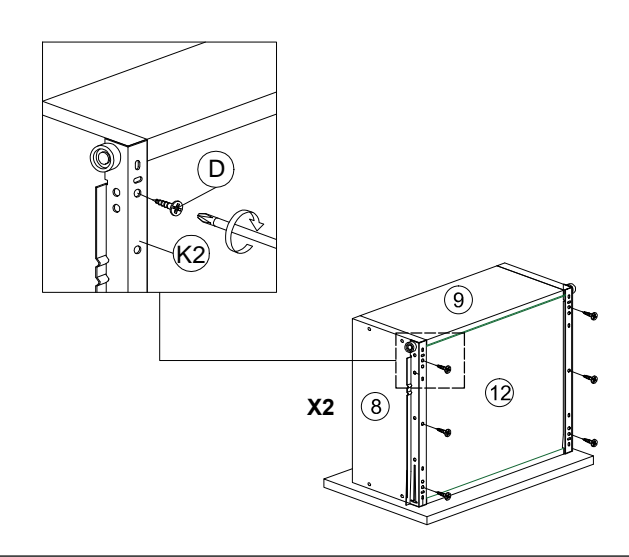
## STEP 6



## STEP 7



## STEP 8

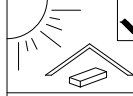




SOFT, DRY CLOTH



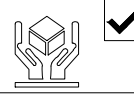
CHEMICAL



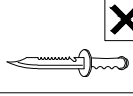
HEAT



KEEP DRY



HANDLE WITH CARE



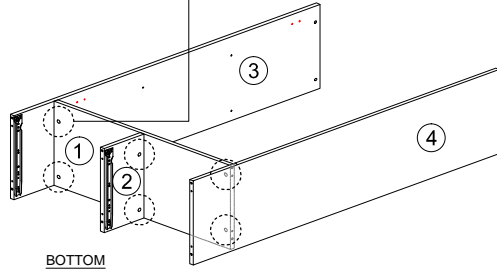
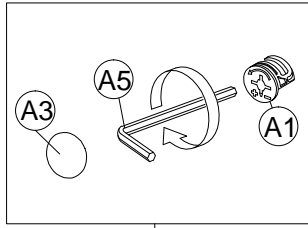
DO NOT USE KNIFE

# ASSEMBLY INSTRUCTION

MODEL : 243569-MC

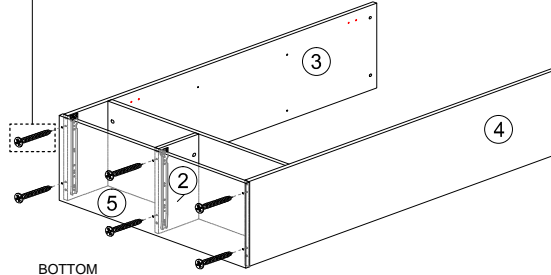
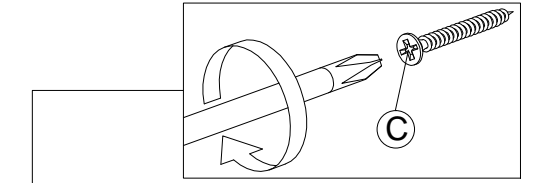
DESCRIPTION : MULTIPURPOSE CABINET

## STEP 9



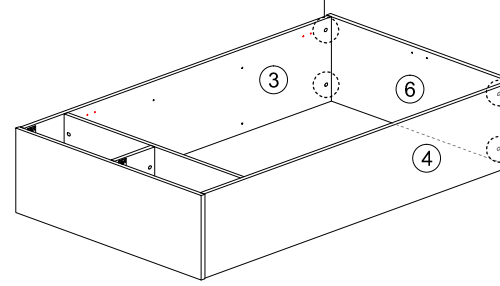
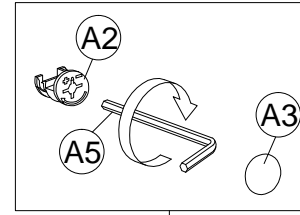
BOTTOM VIEW

## STEP 10

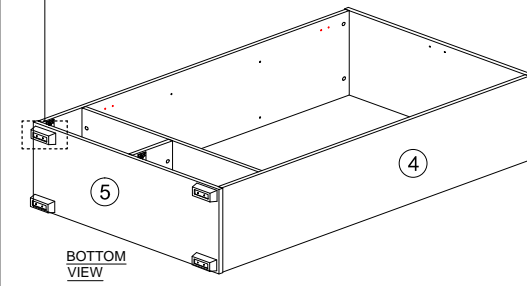
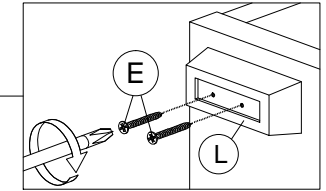


BOTTOM VIEW

## STEP 11

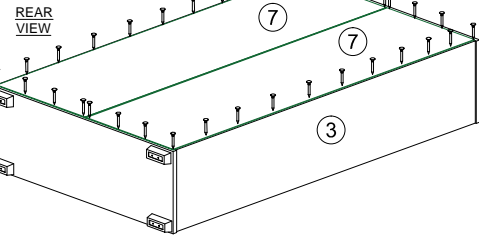
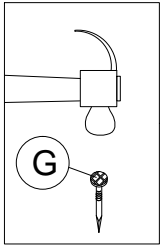


## STEP 12



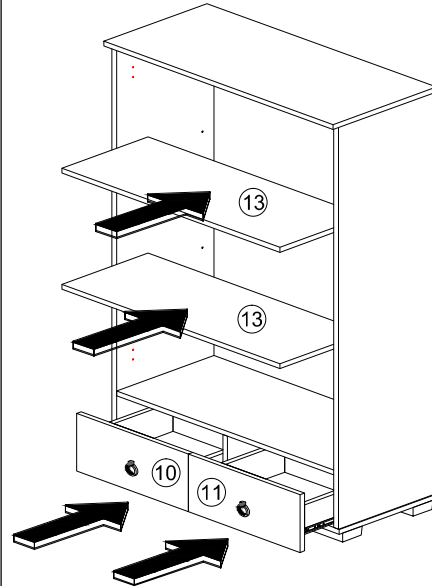
BOTTOM VIEW

## STEP 13

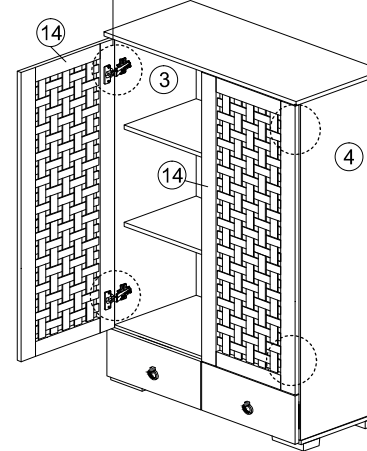
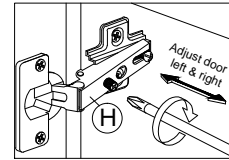
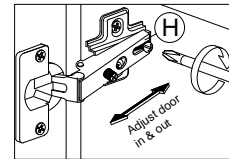
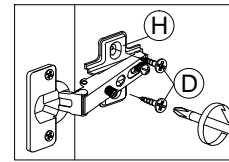


REAR VIEW

## STEP 14



## STEP 15



## COMPLETED

