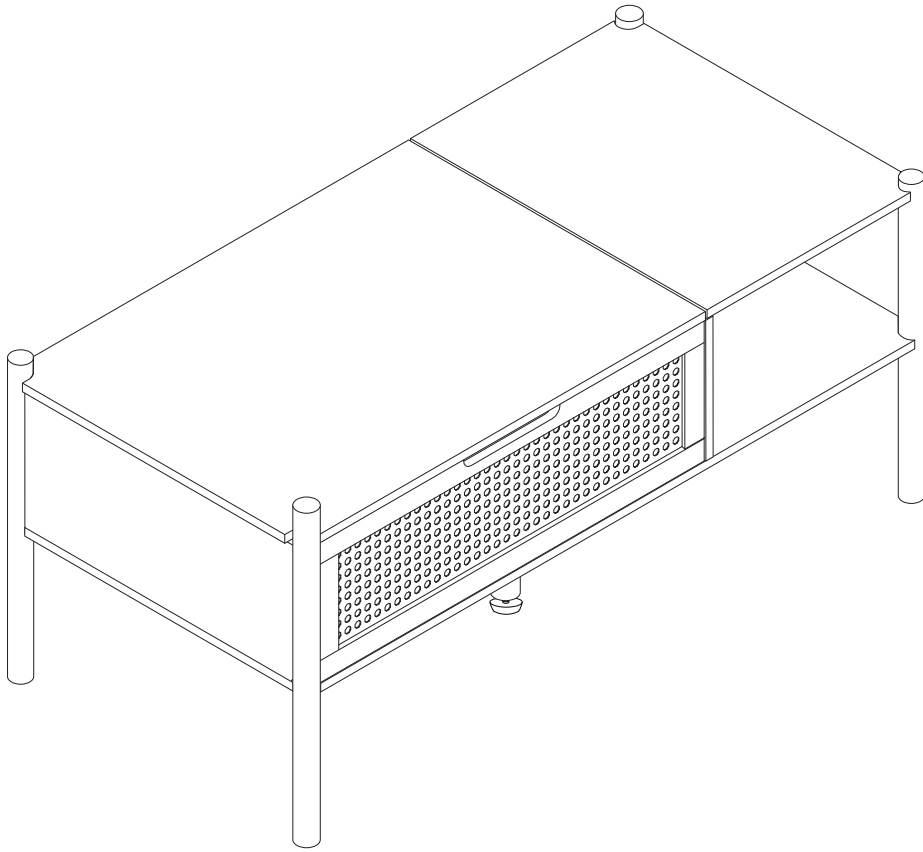
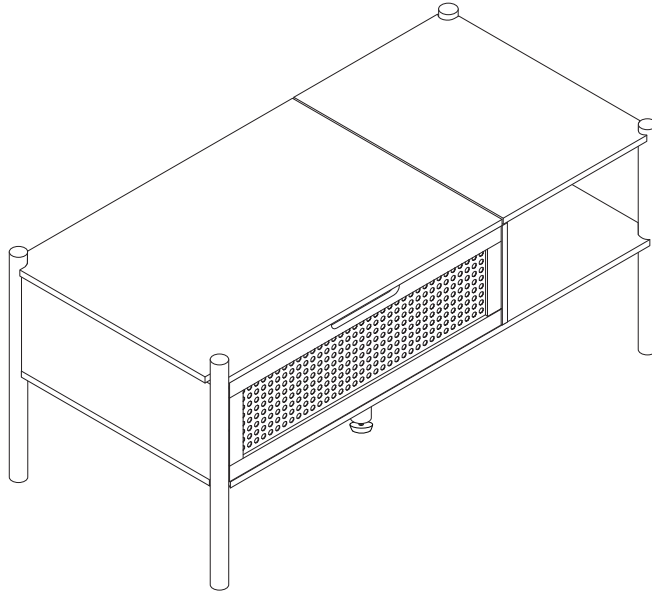


# SURREY





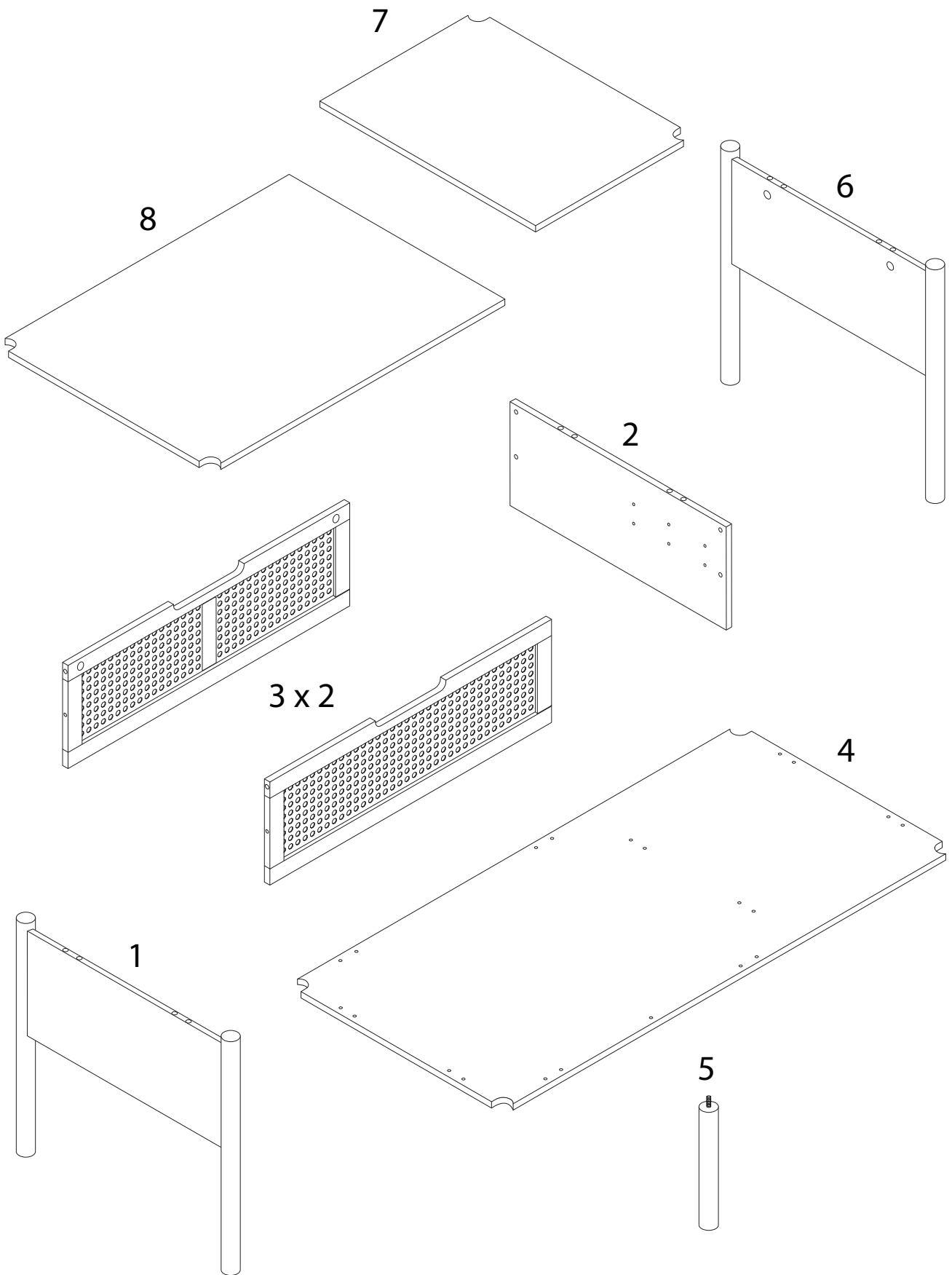
Assembly instructions for the bed frame, including tool requirements, time, and personnel.

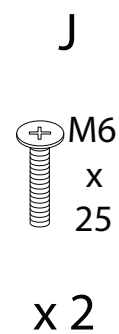
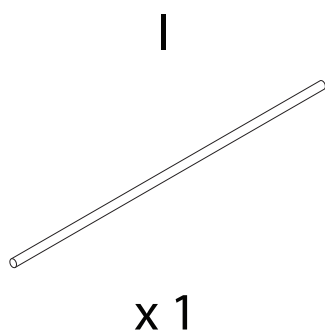
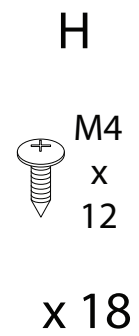
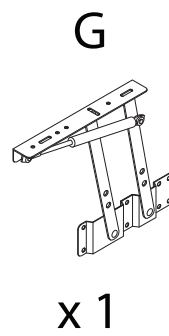
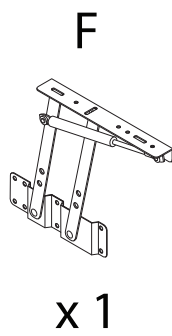
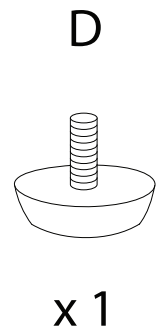
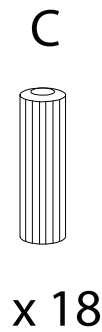
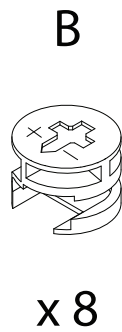
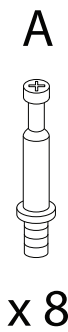
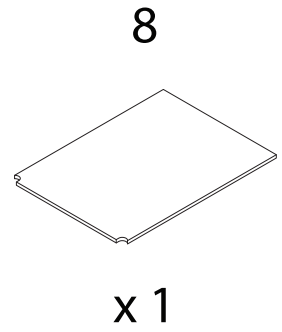
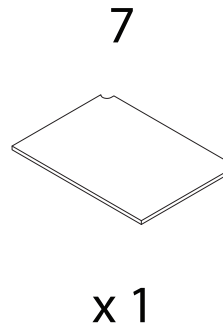
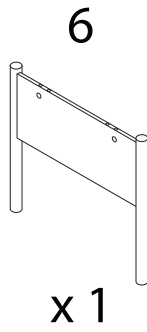
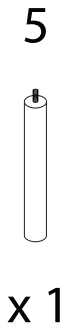
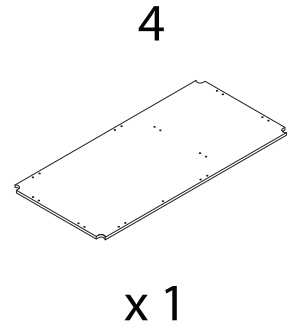
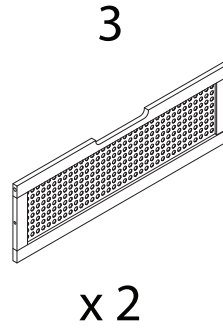
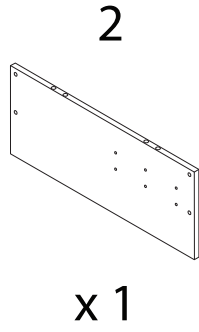
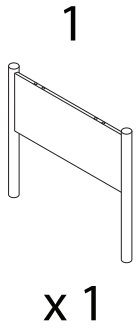
**Tools:** A screwdriver is required, while a power drill is not. A warning triangle is shown next to these icons.

**Time:** The assembly takes 30 minutes, indicated by a clock icon.

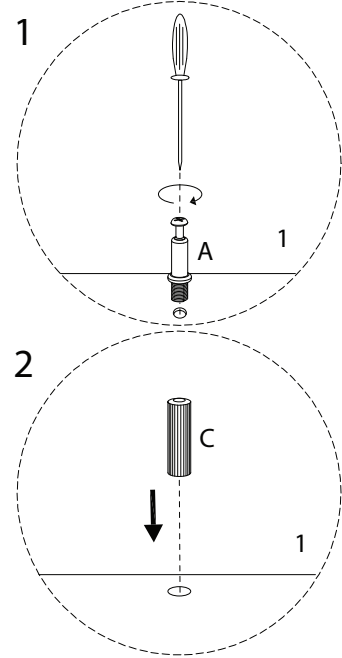
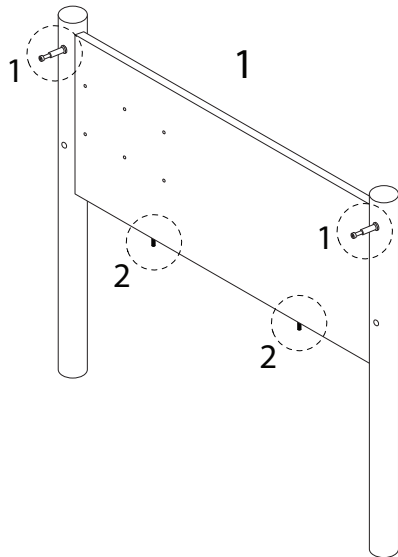
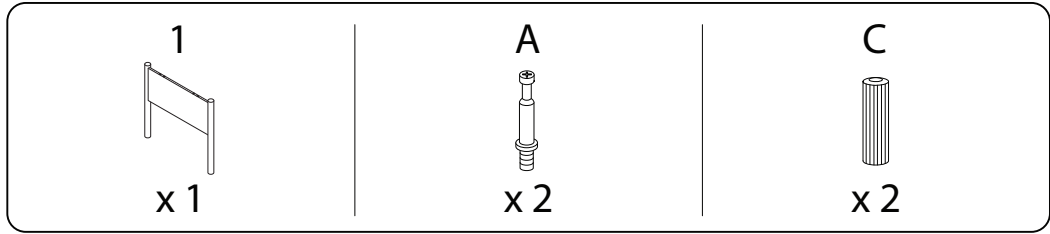
**Personnel:** Two people are required for assembly, indicated by a person icon and the number 2.

**Warnings:** Two warning triangles are present. The top one is associated with the tool requirements. The bottom one is associated with a diagram showing a block being placed on a surface with a diagonal line through it, indicating a specific placement or weight restriction.

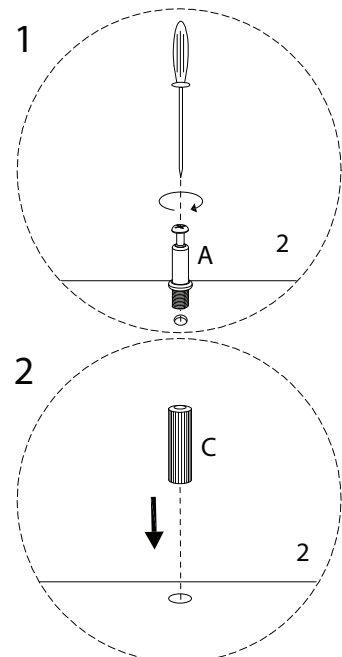
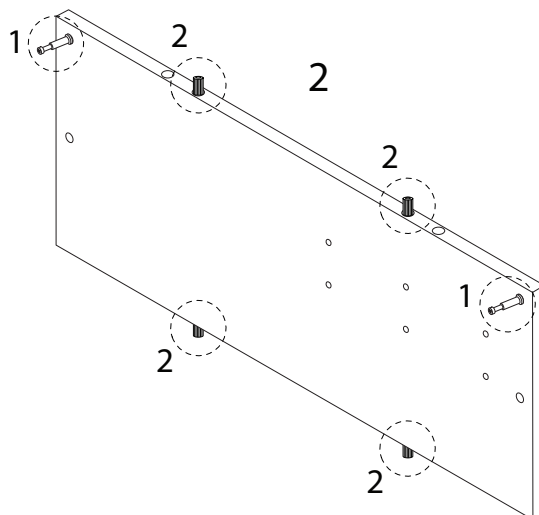
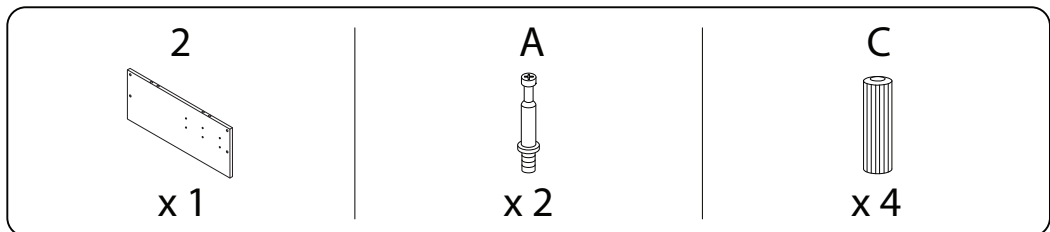




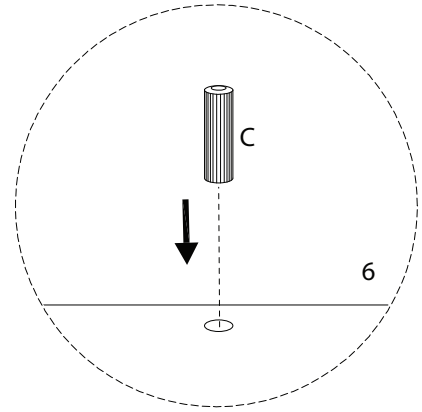
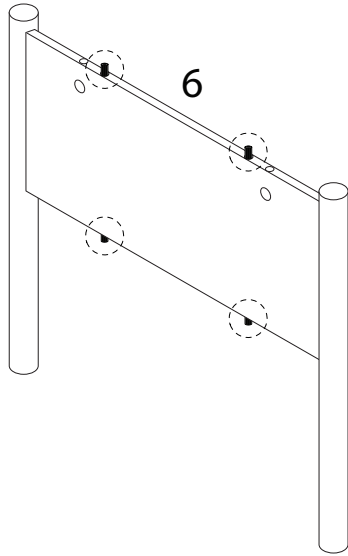
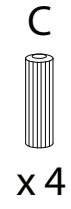
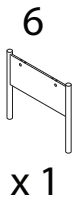
1



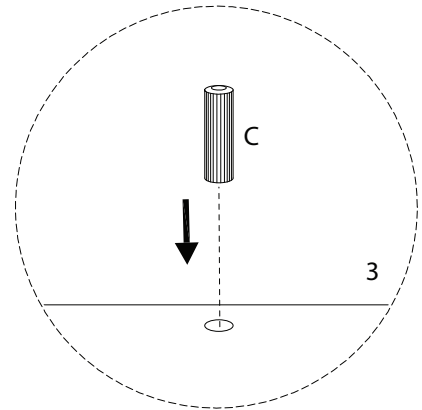
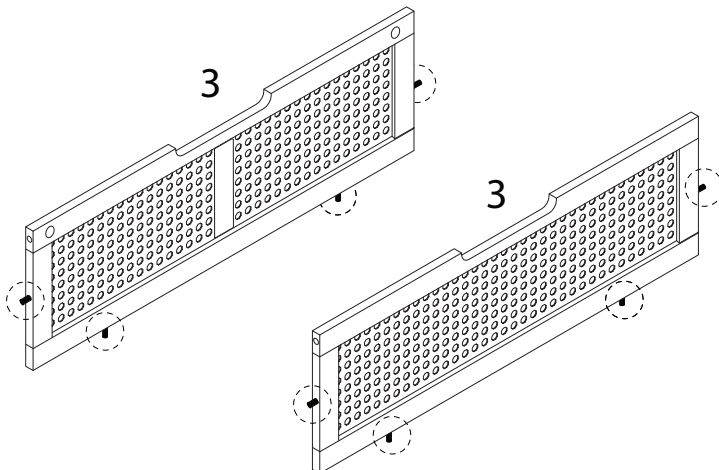
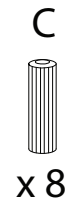
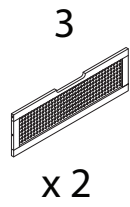
2



3



4

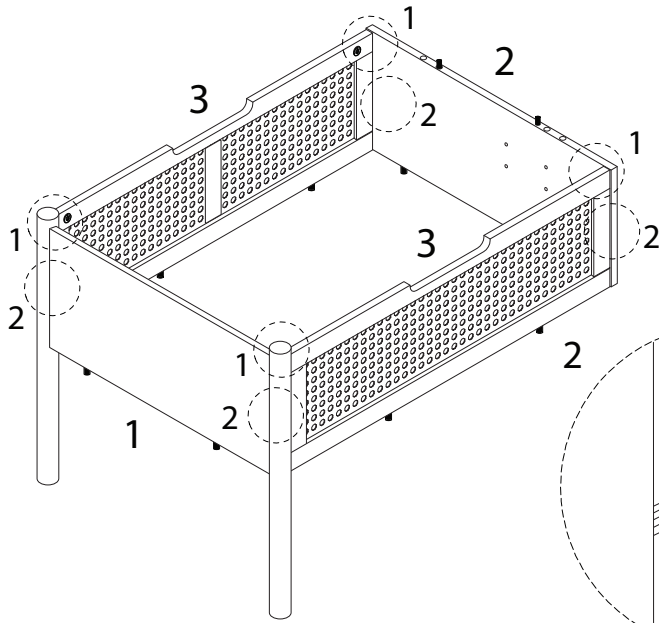


5

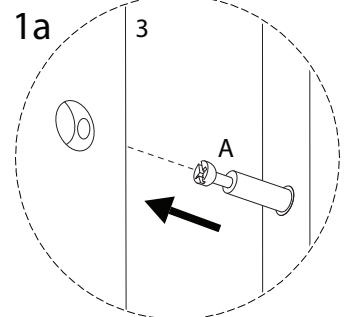
B



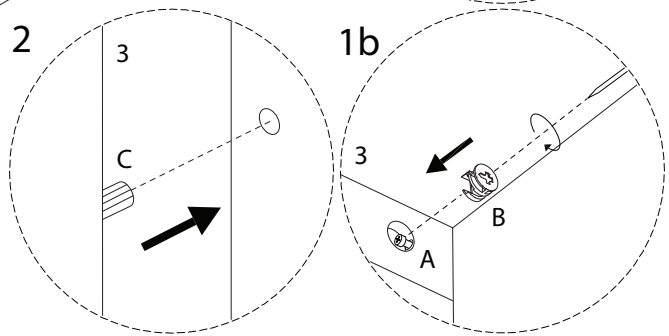
x 4



1a

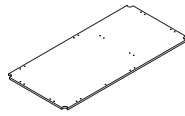


1b



6

4



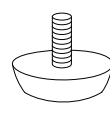
x 1

5

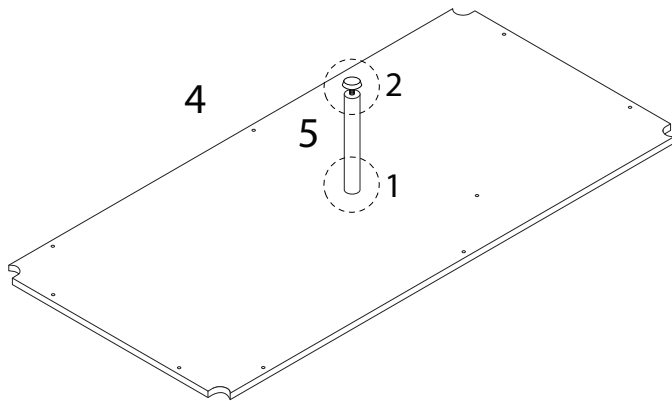


x 1

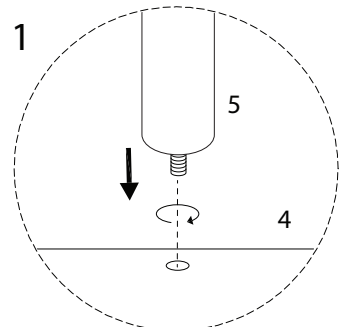
D



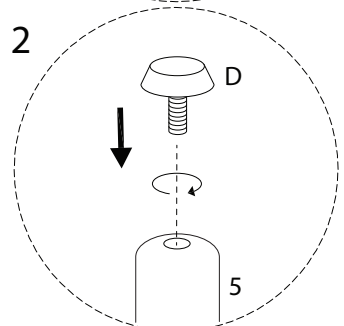
x 1



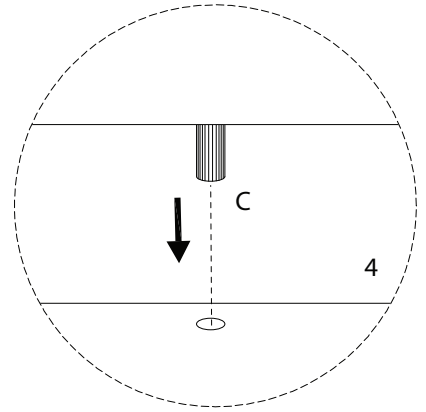
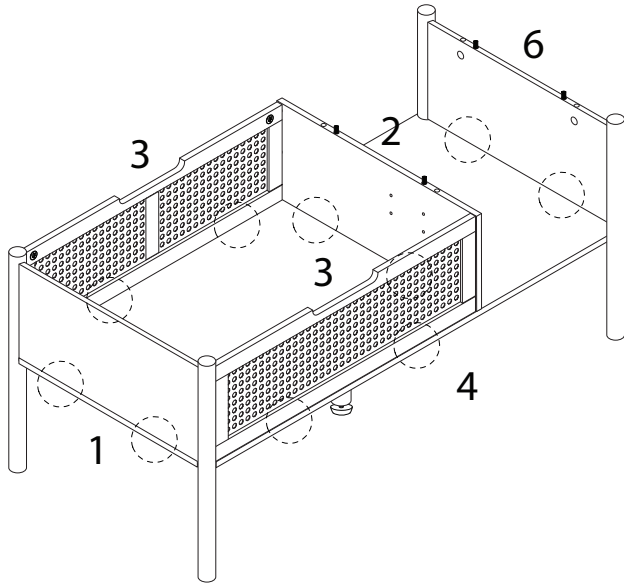
1



2

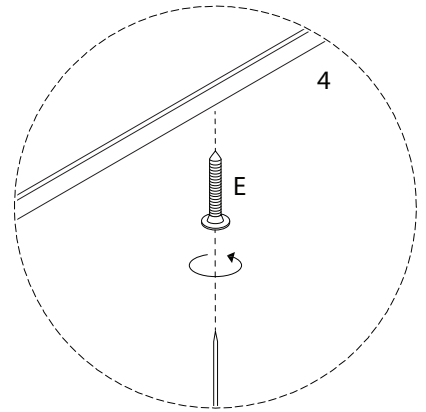
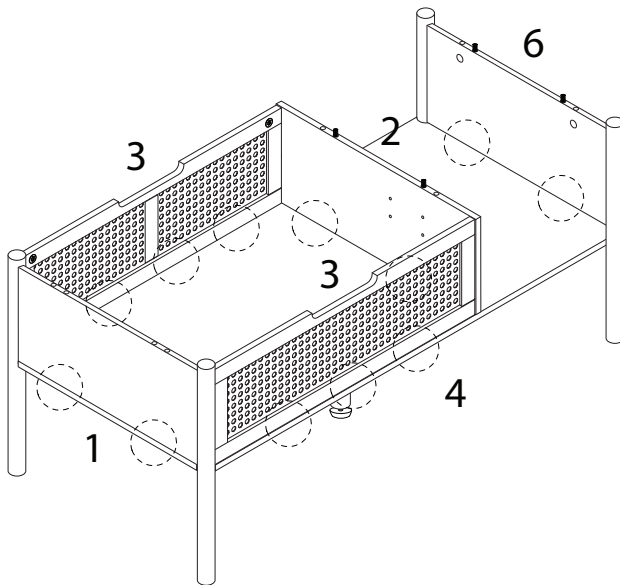


7



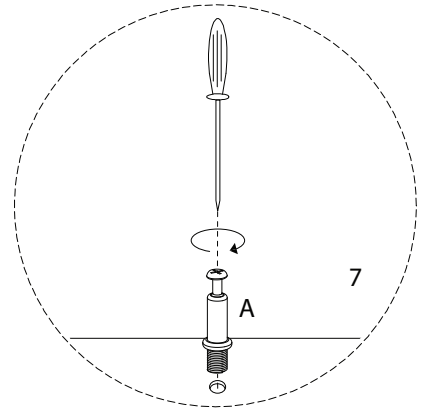
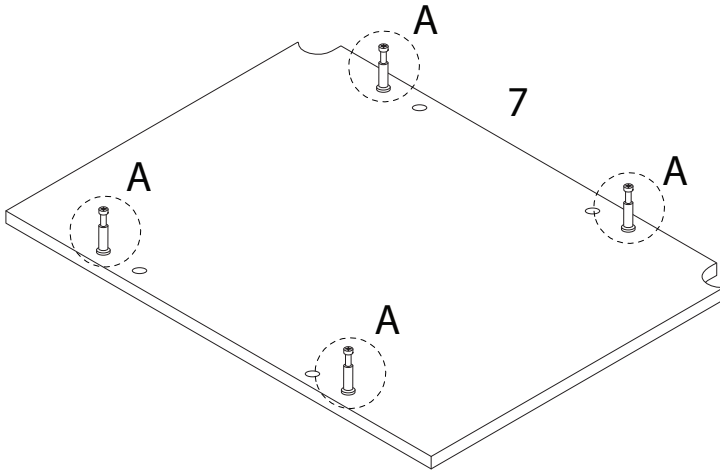
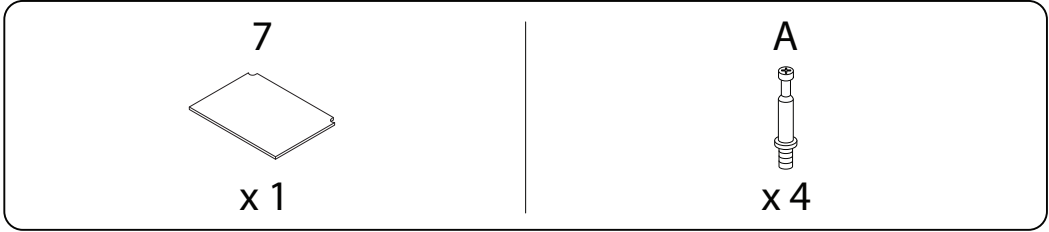
8

E  
M4  
x 30  
x 12

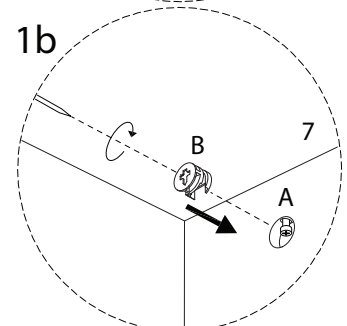
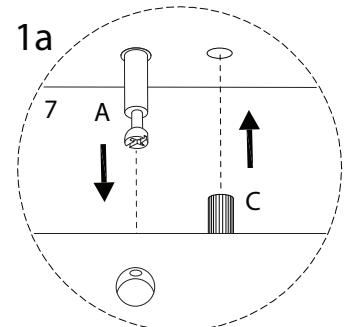
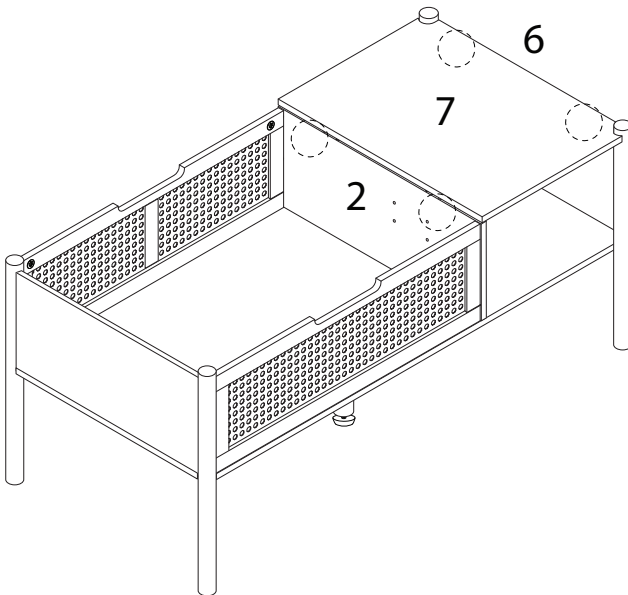
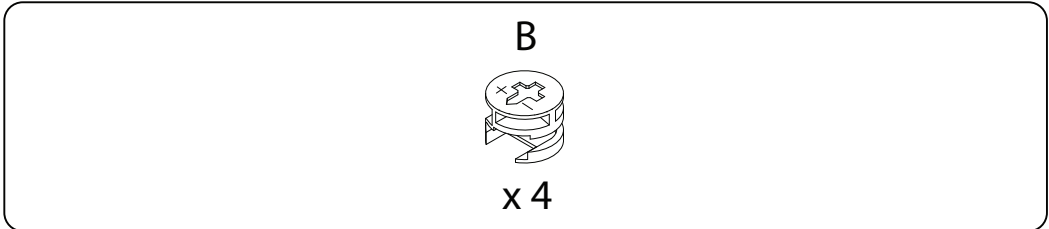




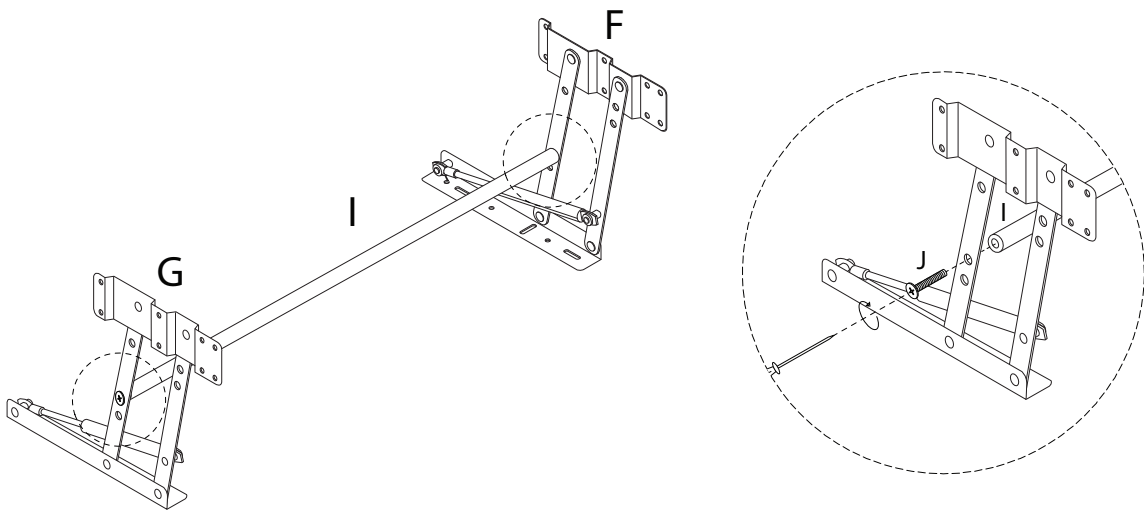
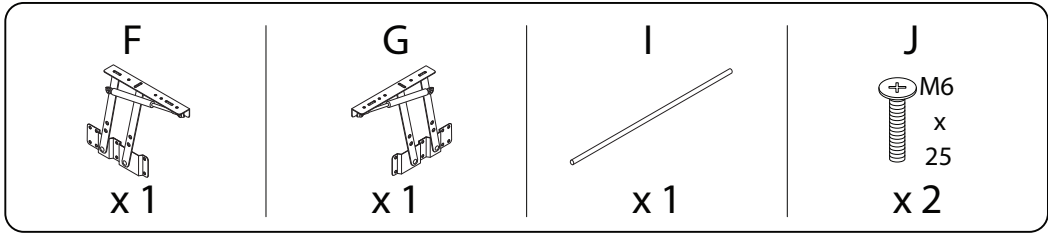
9



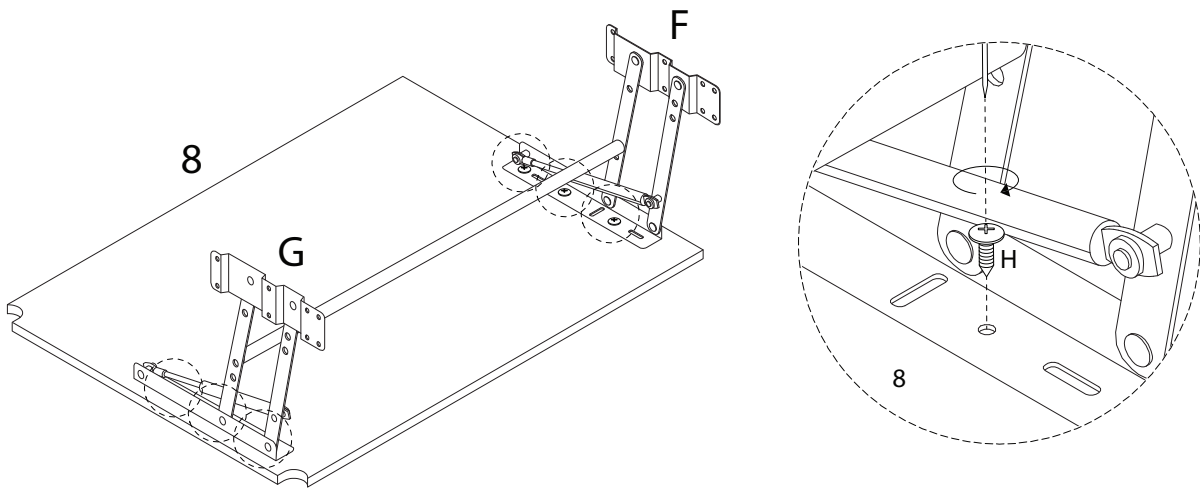
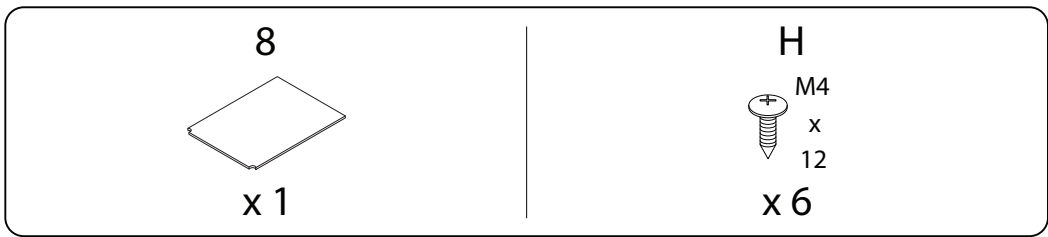
10



11

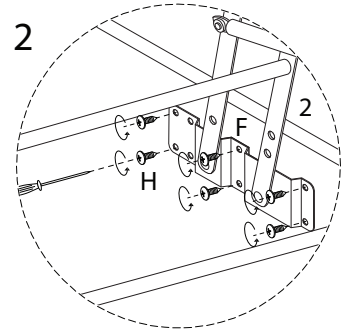
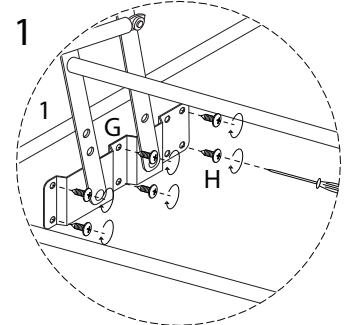
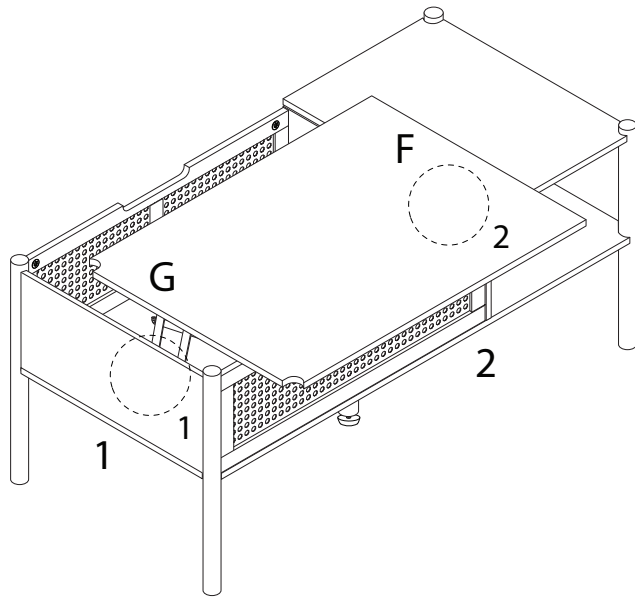


12

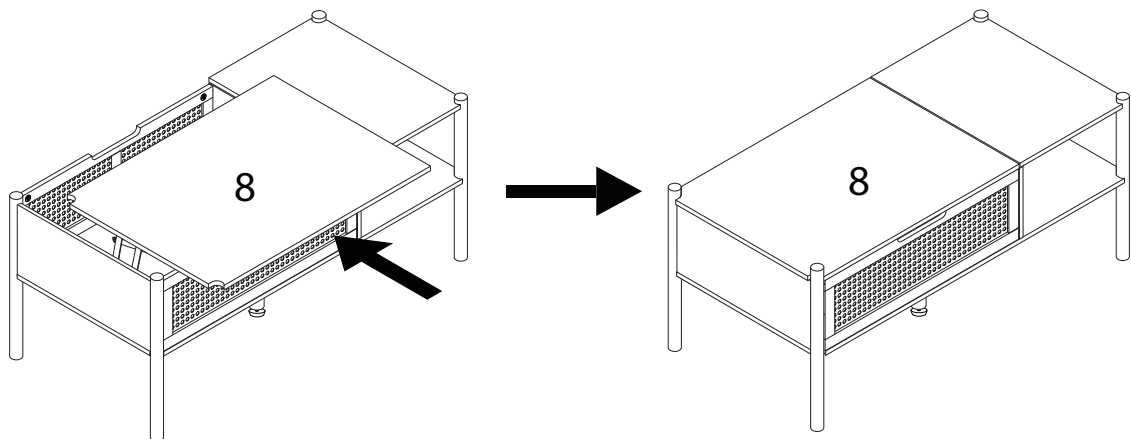


13

H  
M4  
x  
12  
x 12



14



!

