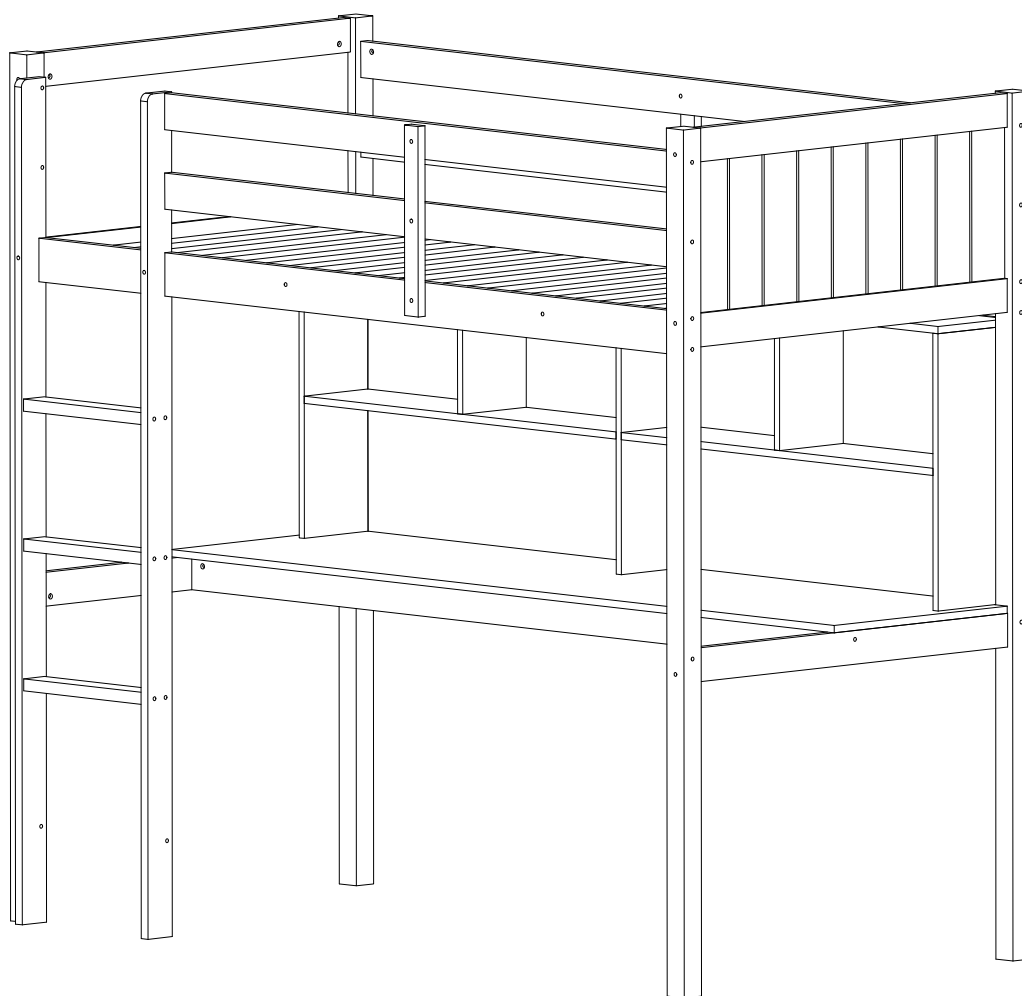
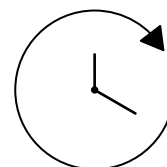
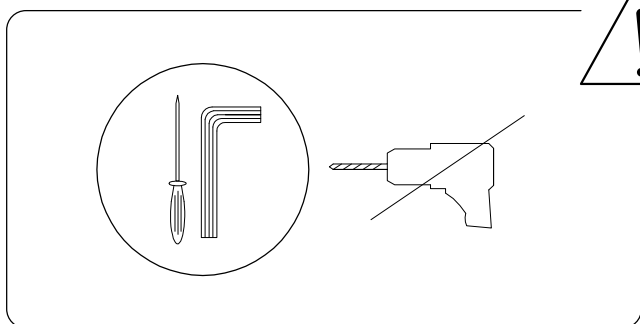
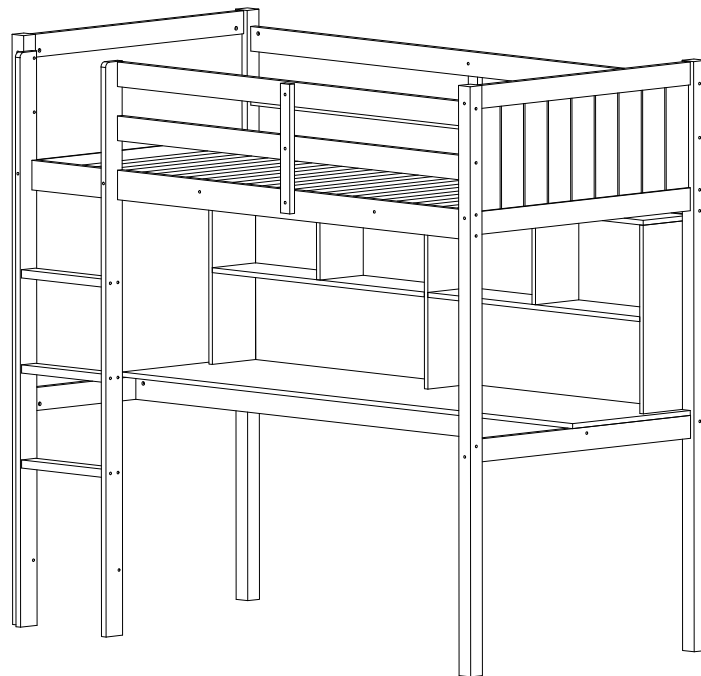
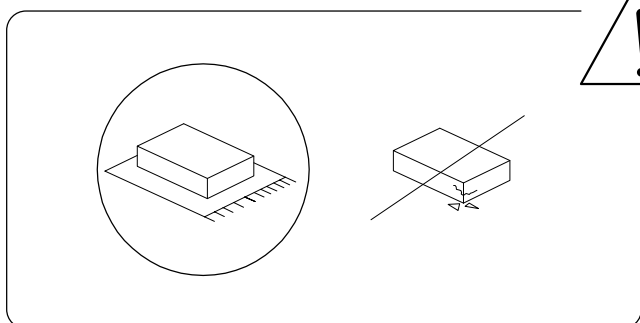


# FOUCAMONT

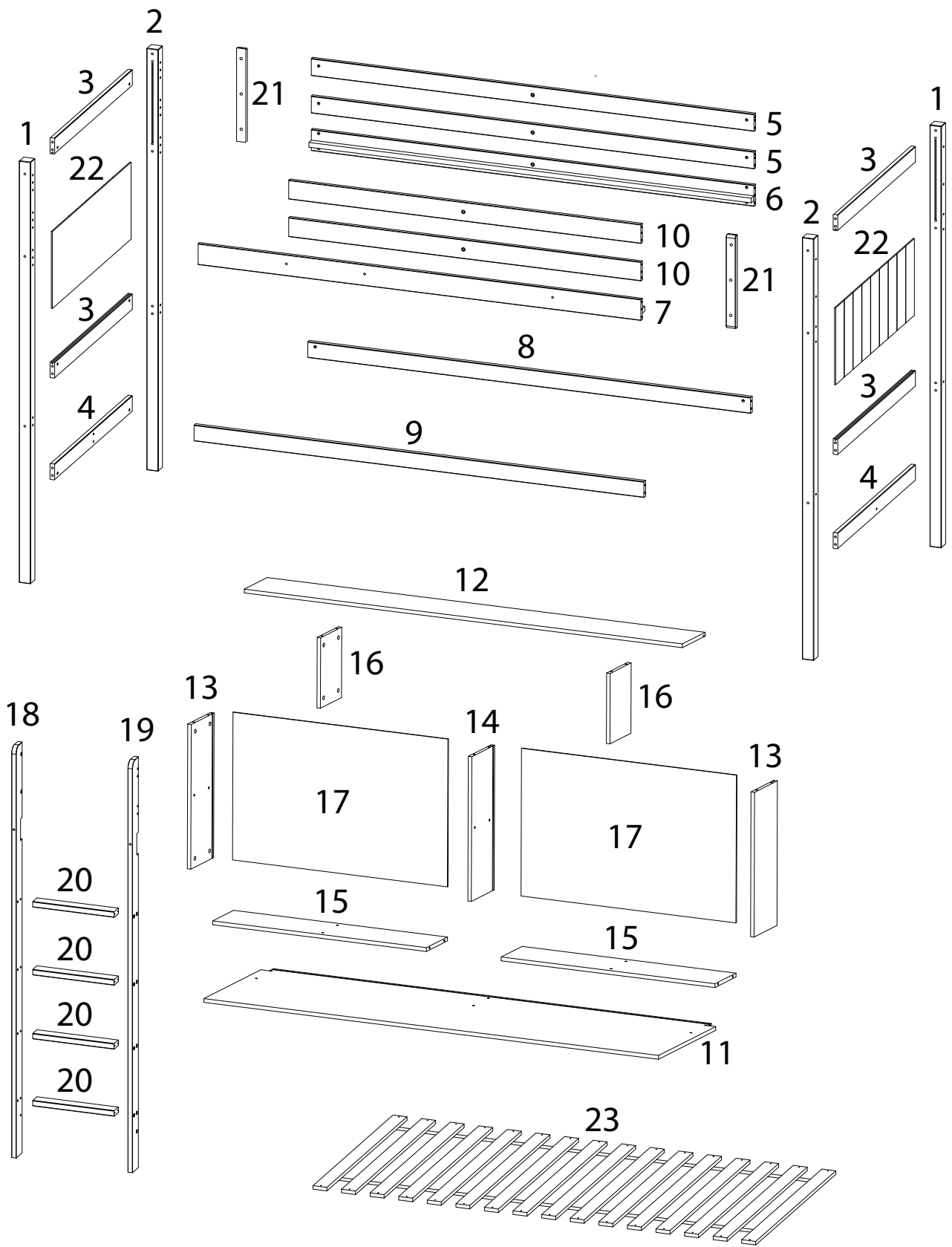




60'



2



1



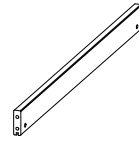
x 2

2



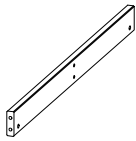
x 2

3



x 4

4



x 2

5



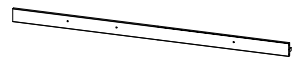
x 2

6



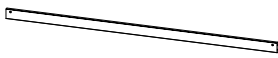
x 1

7



x 1

8



x 1

9



x 1

10



x 2

11



x 1

12



x 1

13



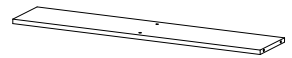
x 2

14



x 1

15



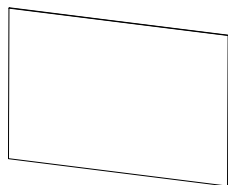
x 2

16



x 2

17



x 2

18

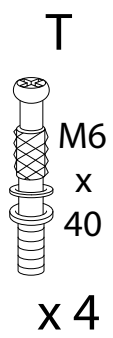
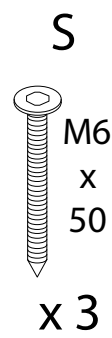
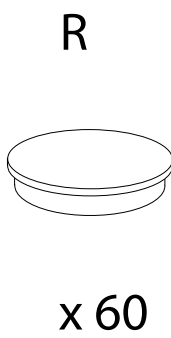
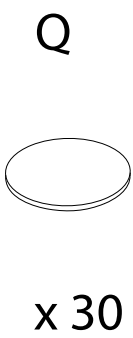
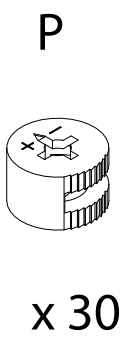
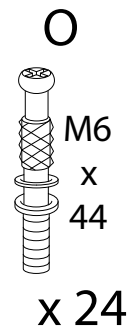
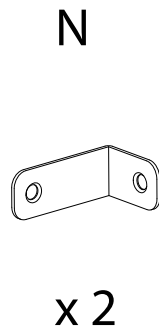
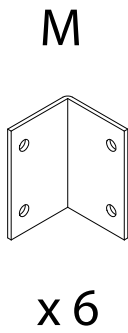
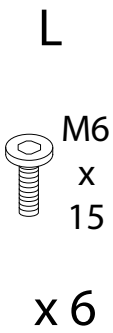
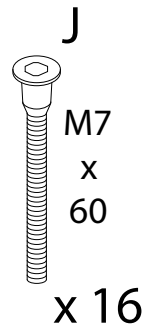
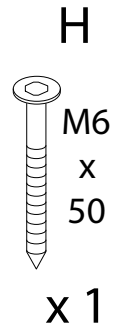
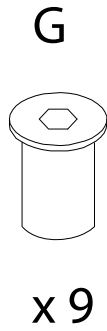
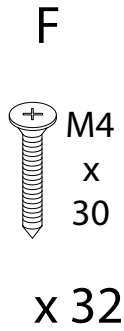
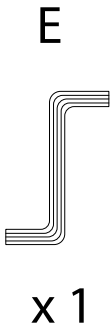
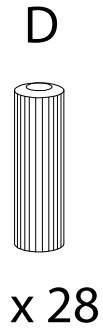
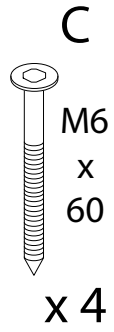
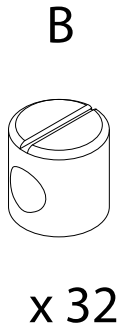
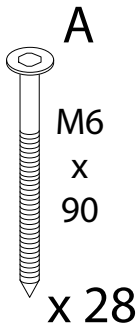
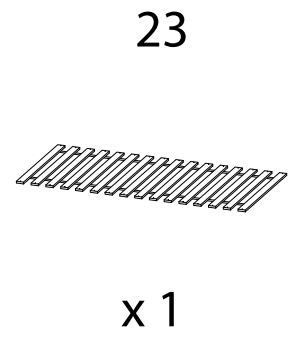
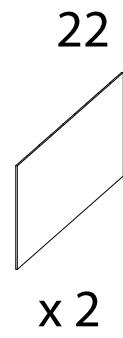
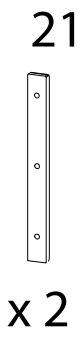
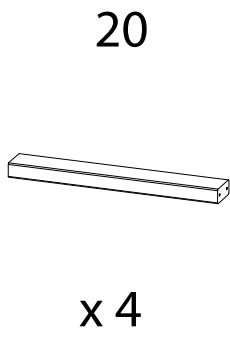


x 1

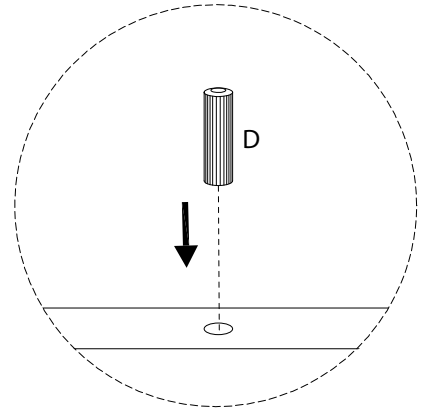
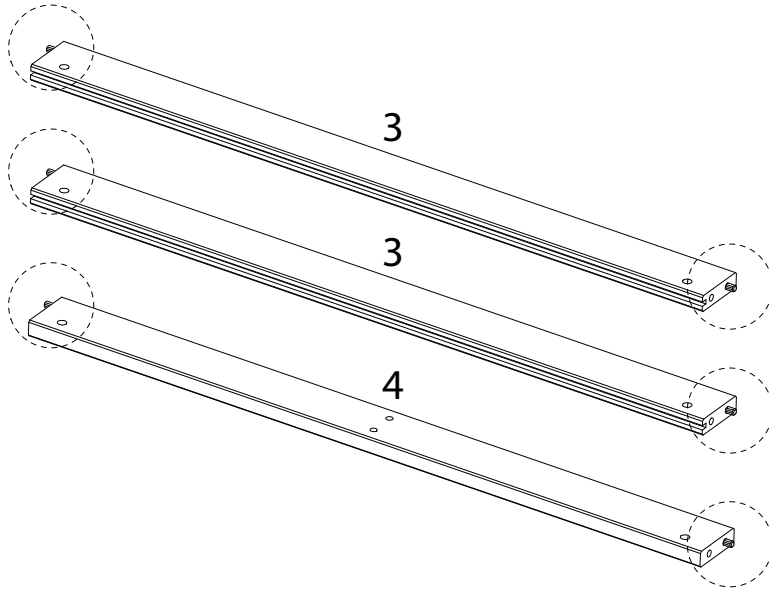
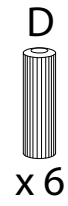
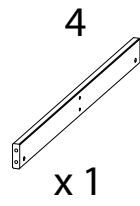
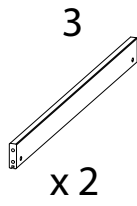
19



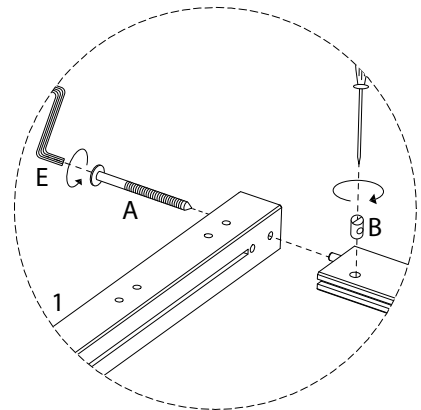
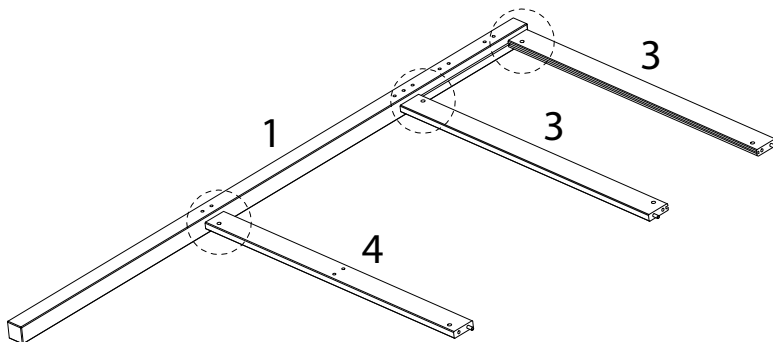
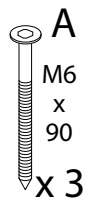
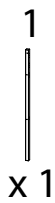
x 1



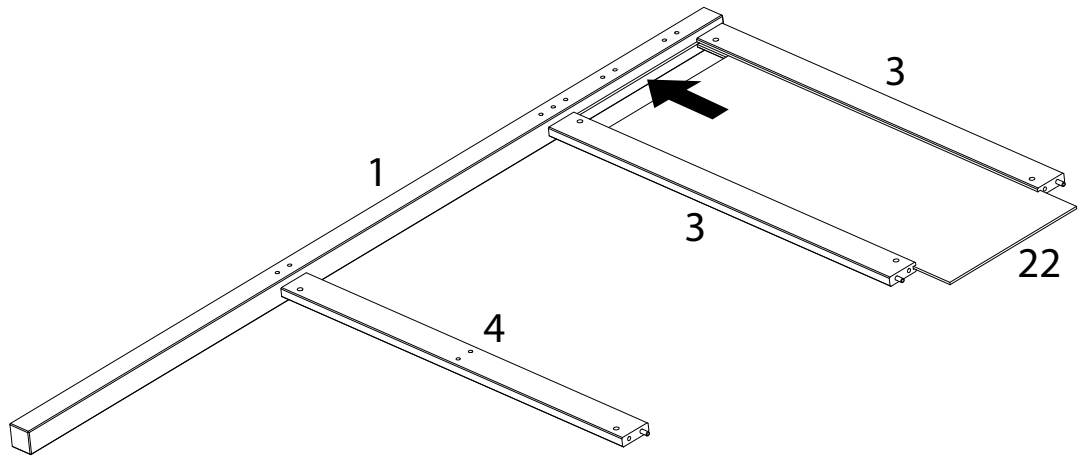
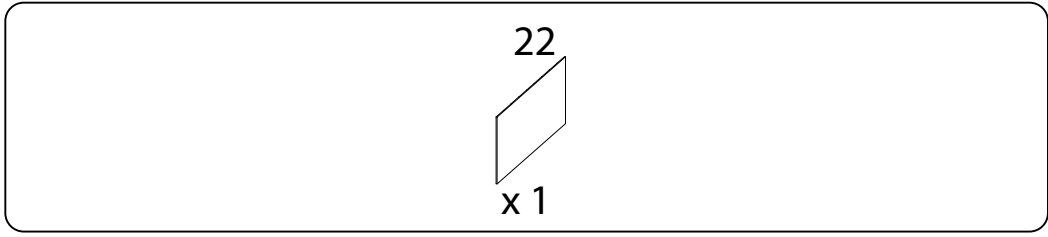
1 x 2



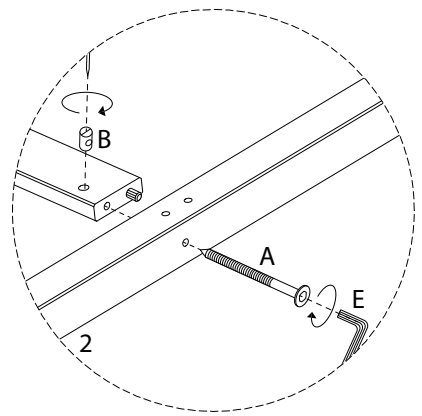
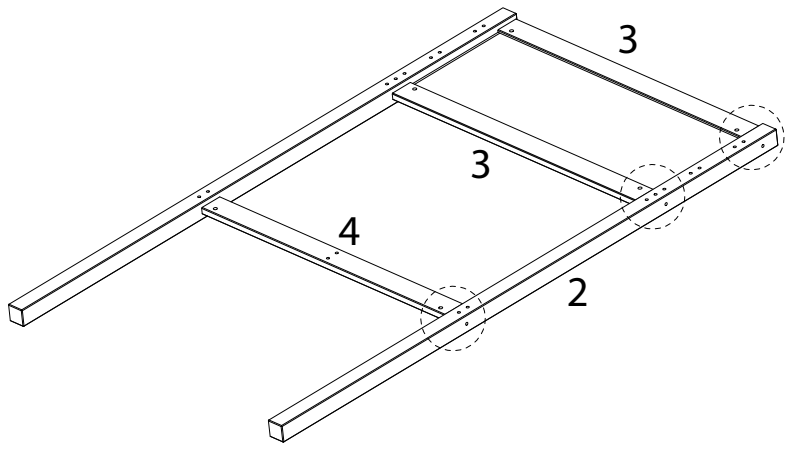
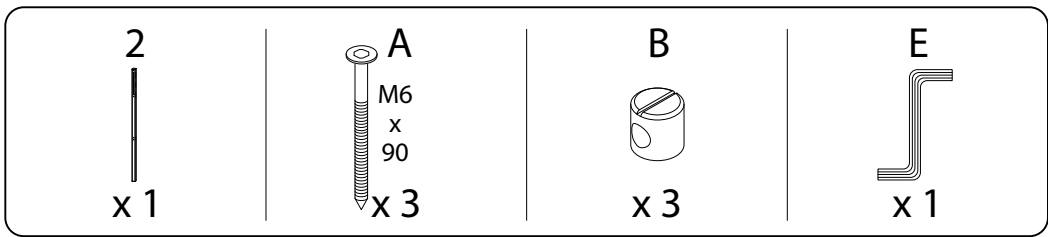
2 x 2










3 x 2

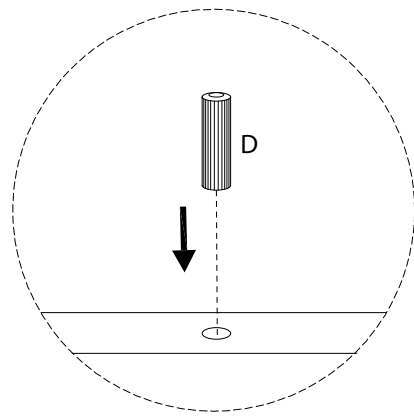
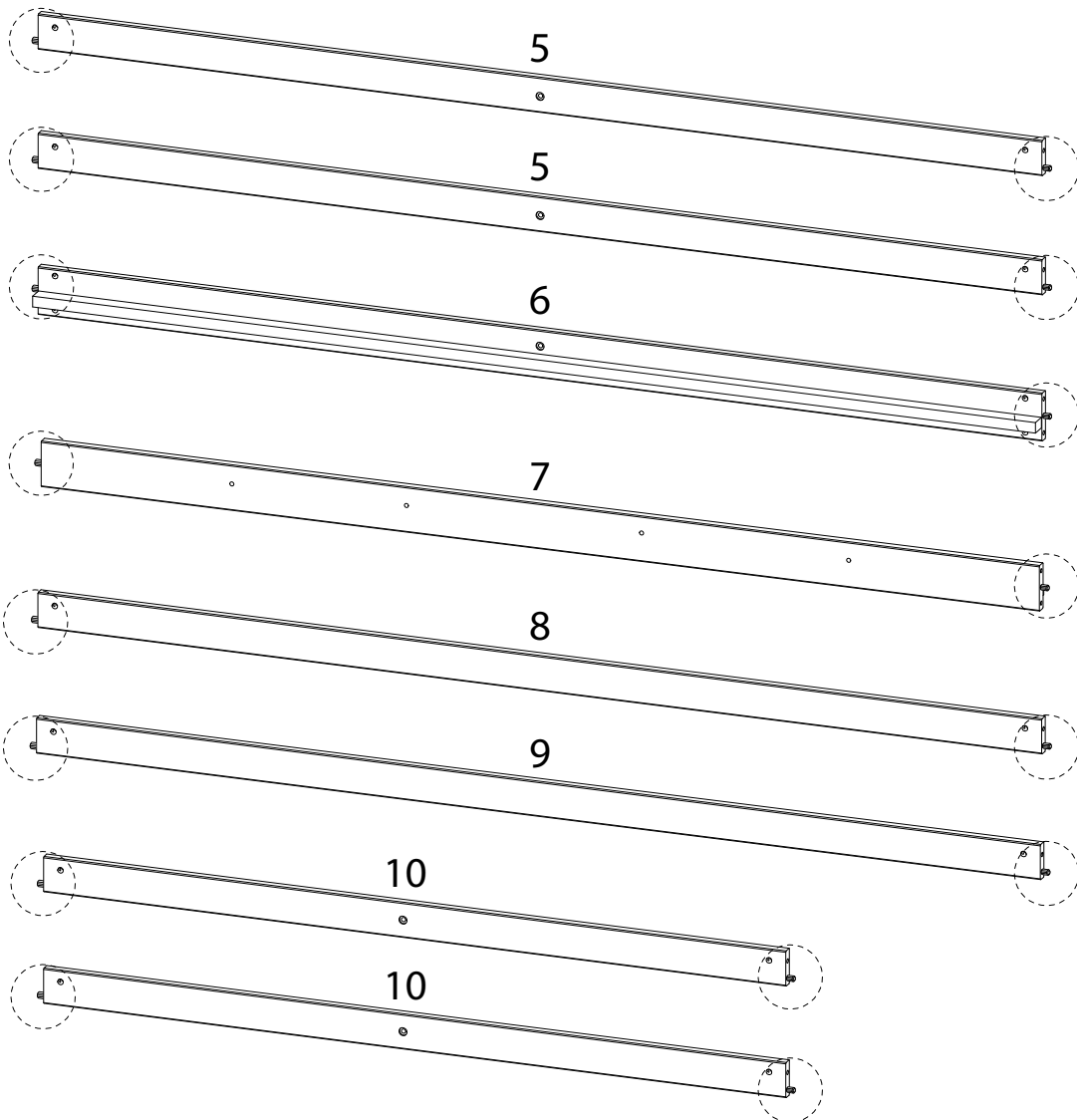


4 x 2



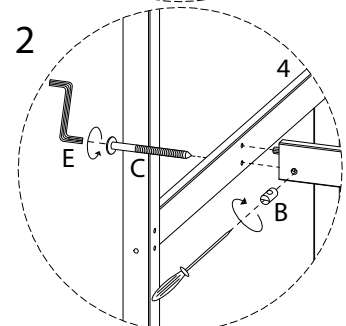
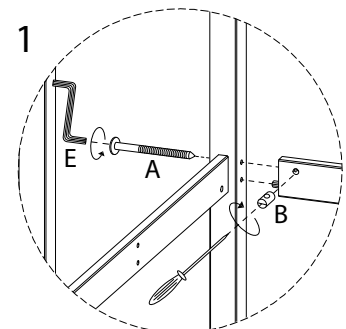
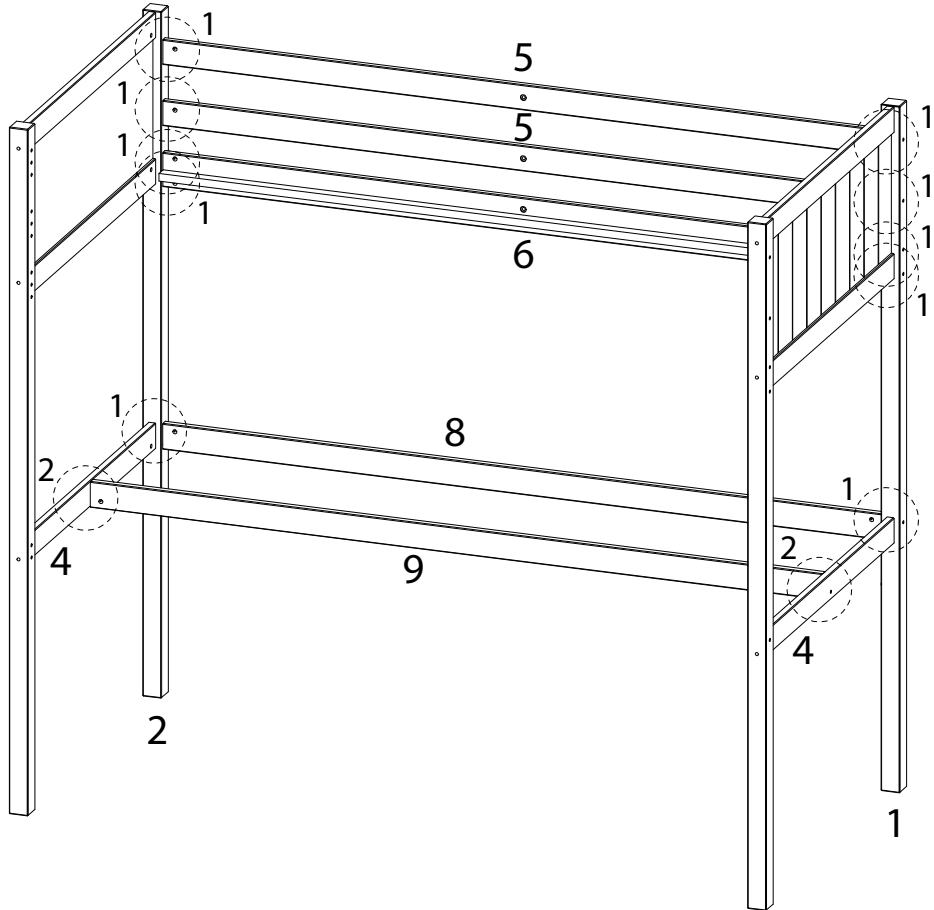
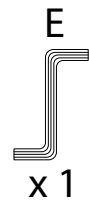
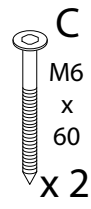
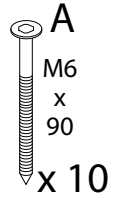
5

5	6	7	8	9	10	D
						
x2	x1	x1	x1	x1	x2	x16

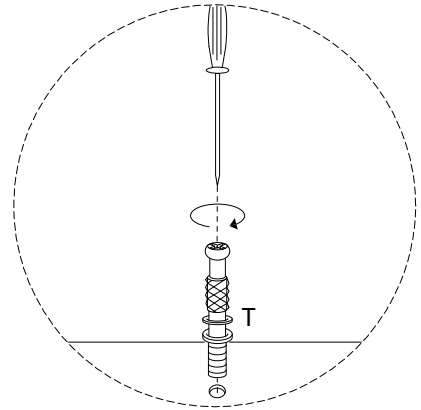
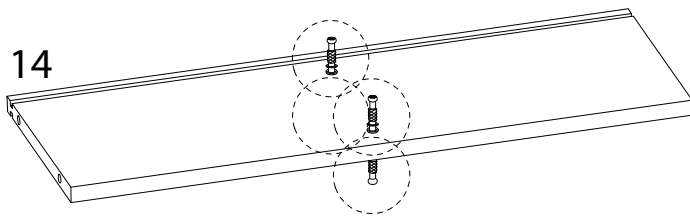
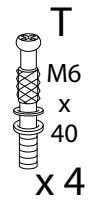




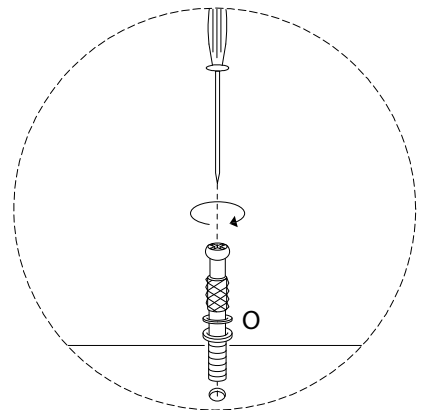
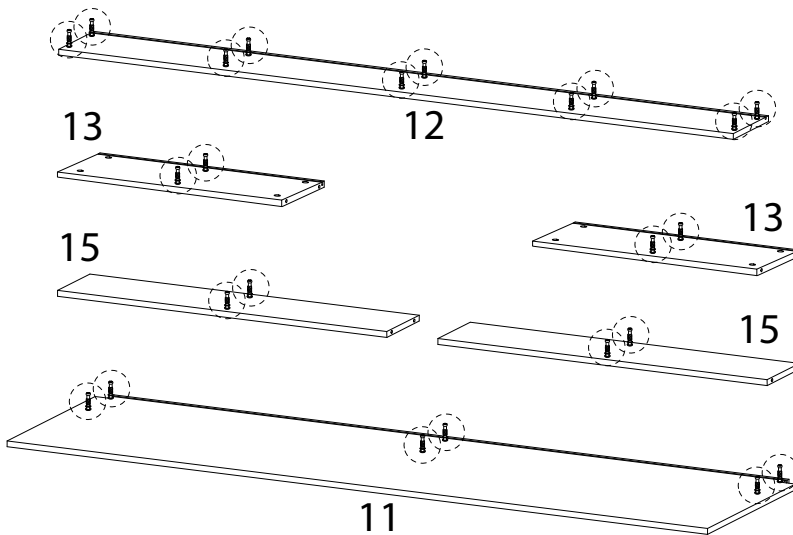
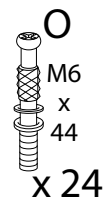
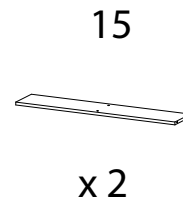
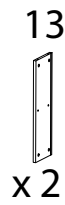
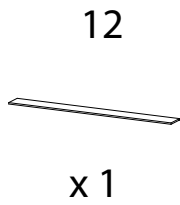
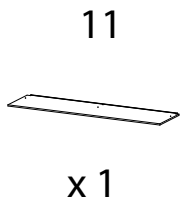
6



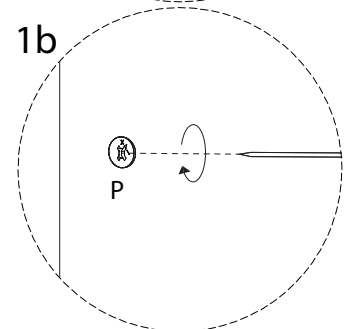
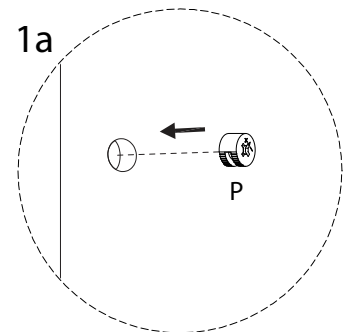
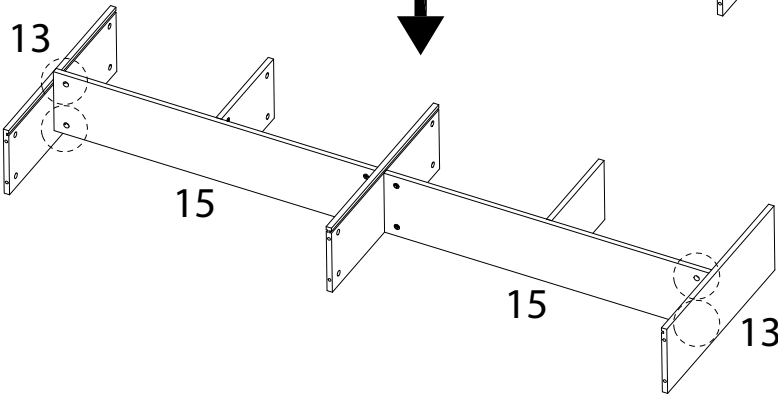
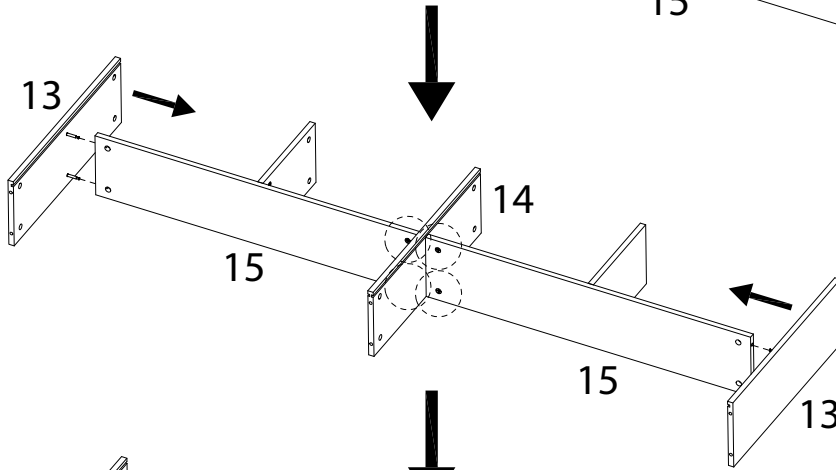
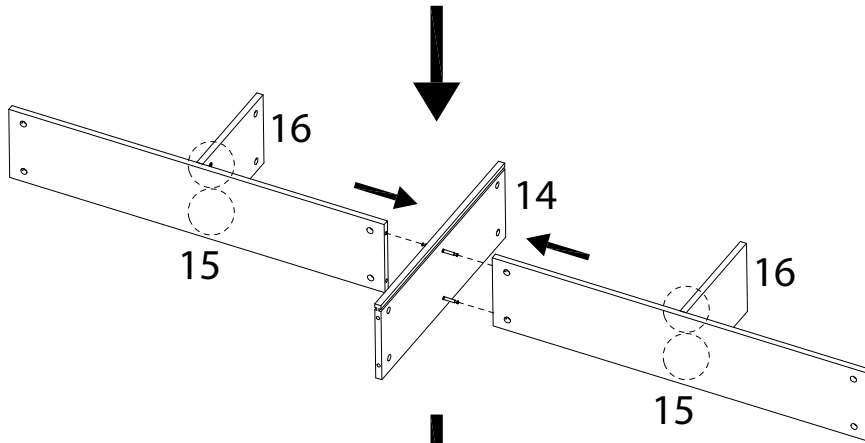
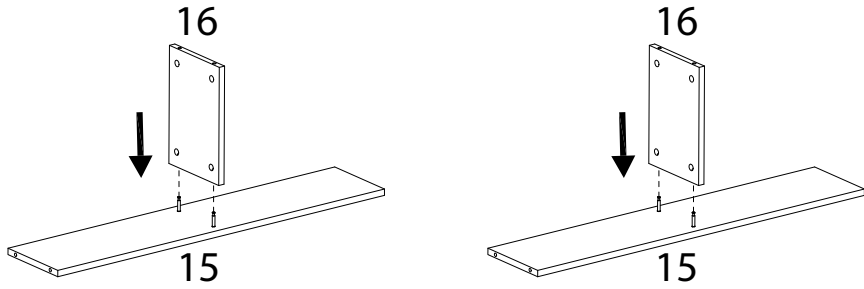
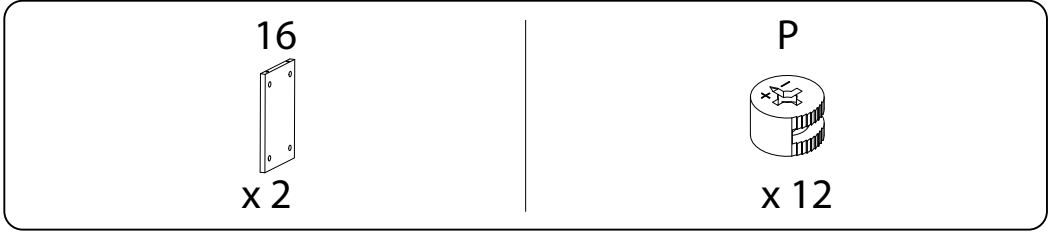
7



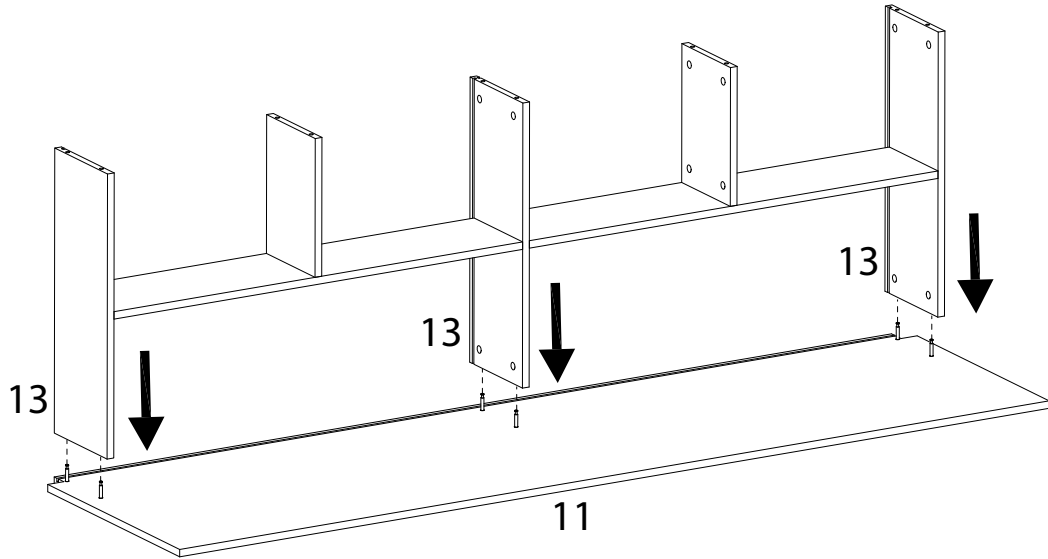
8



9



10

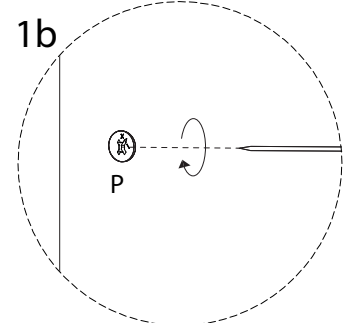
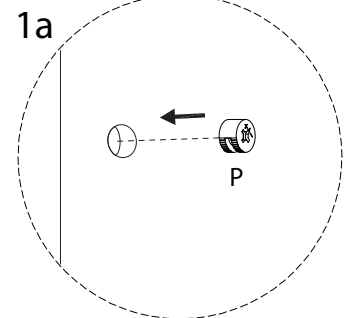
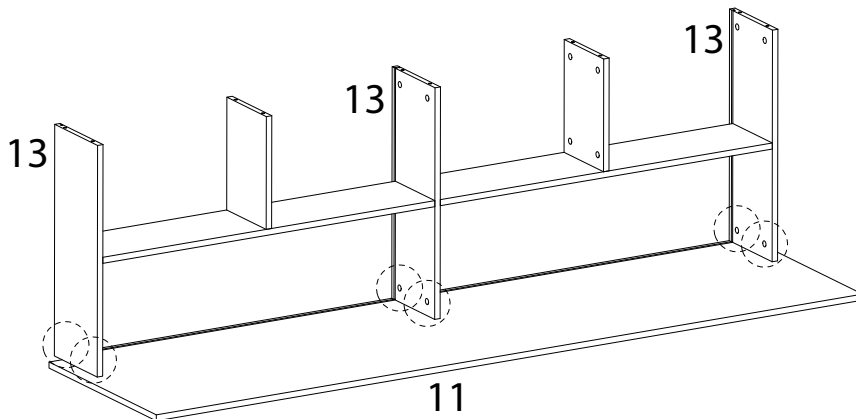


11

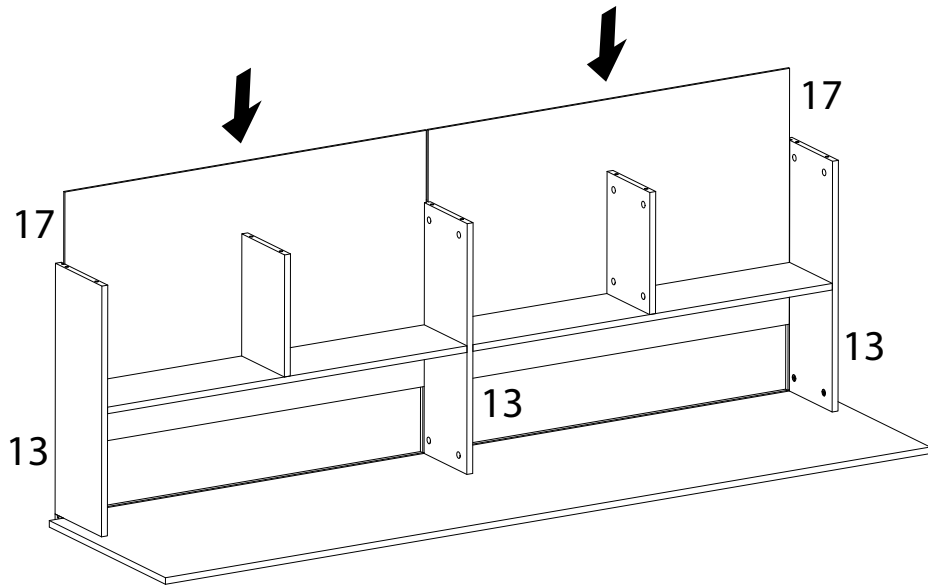
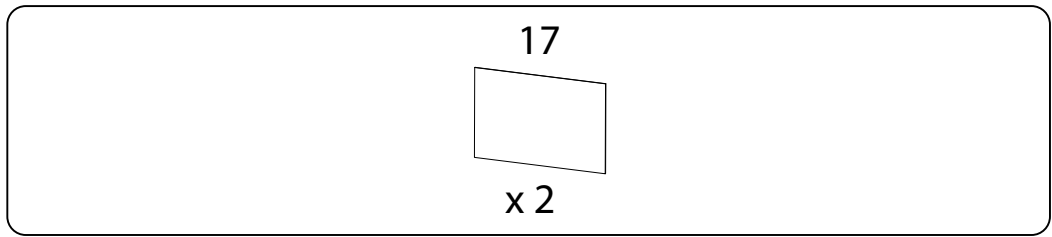
P



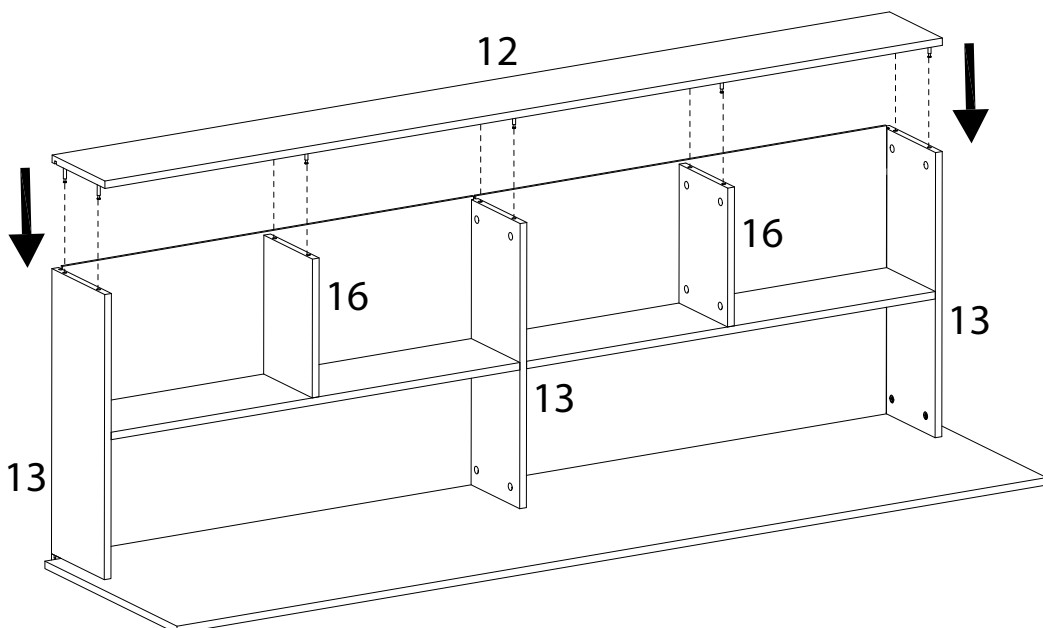
x 6



12



13

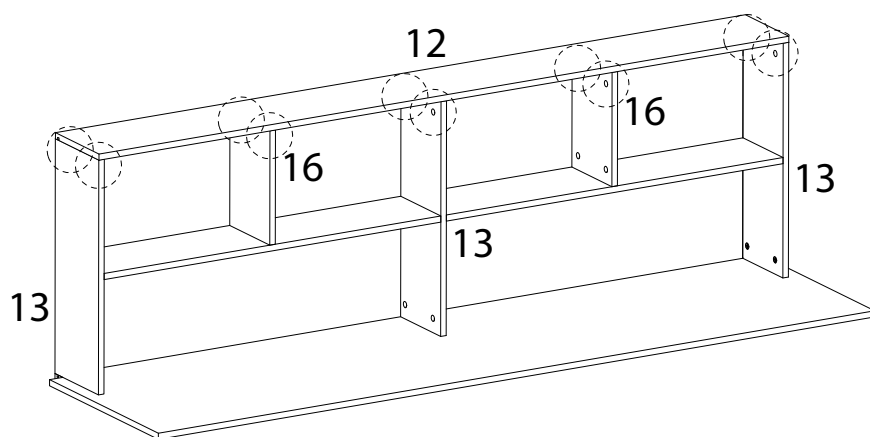


14

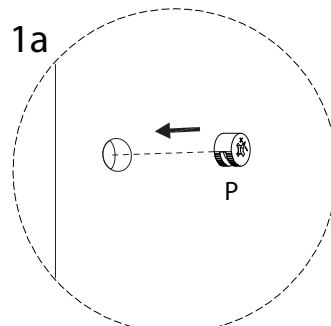
P



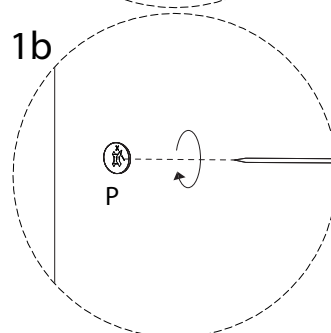
x 10



1a



1b

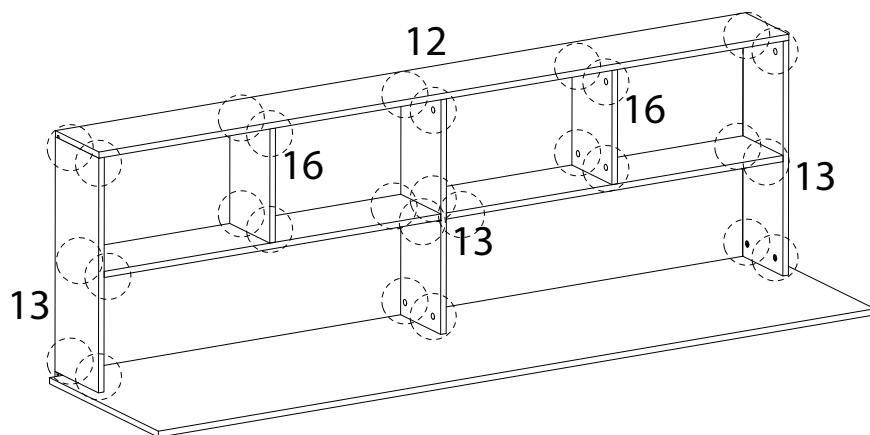


15

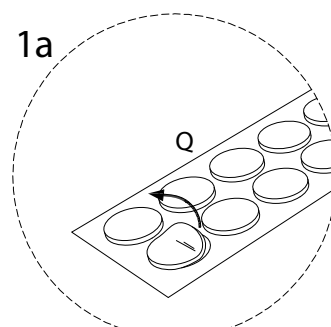
Q



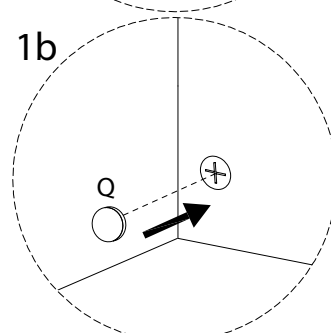
x 30



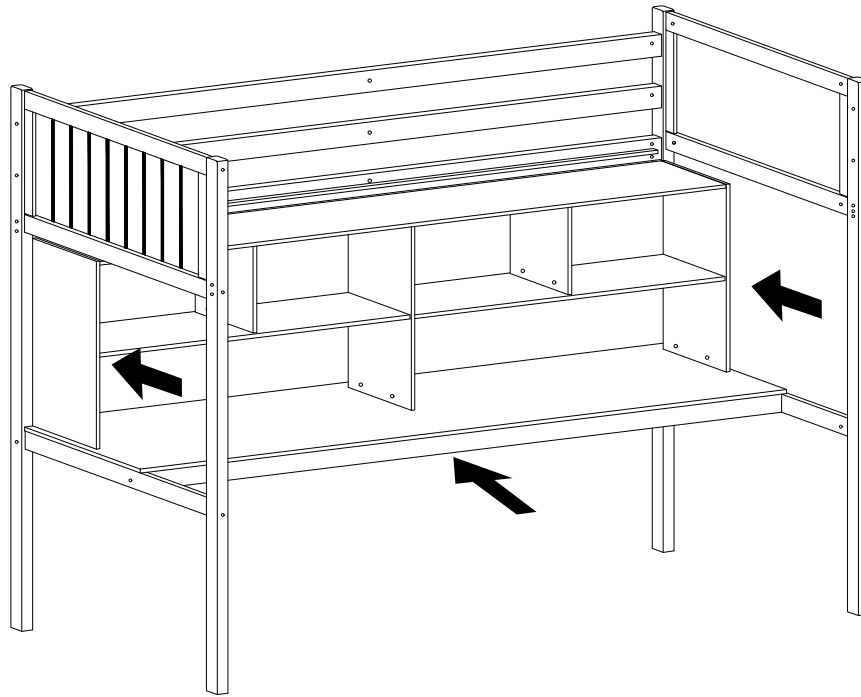
1a



1b

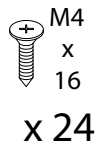


16

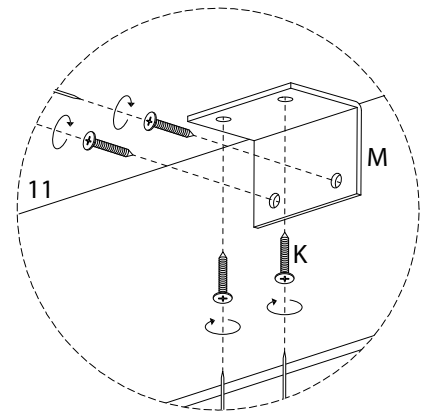
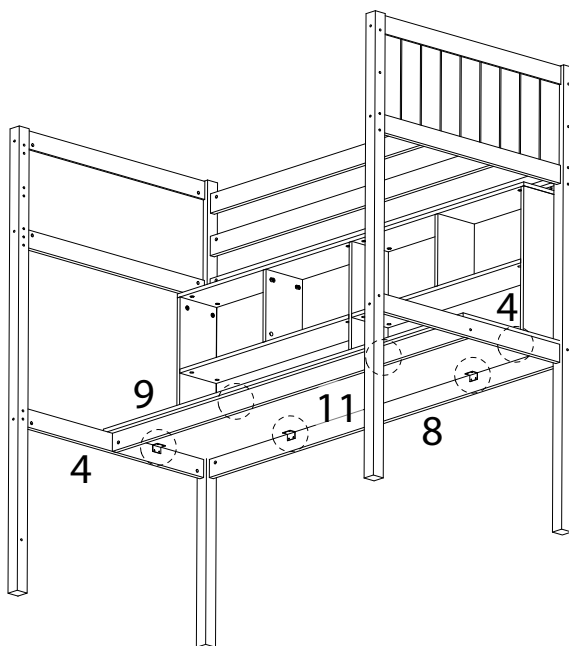
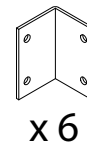


17

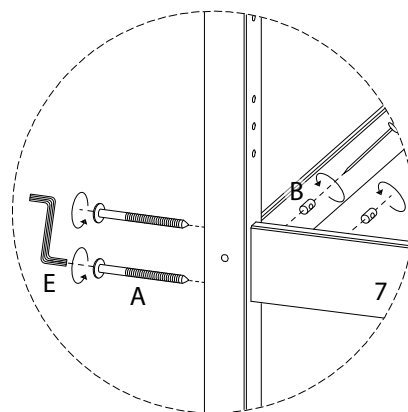
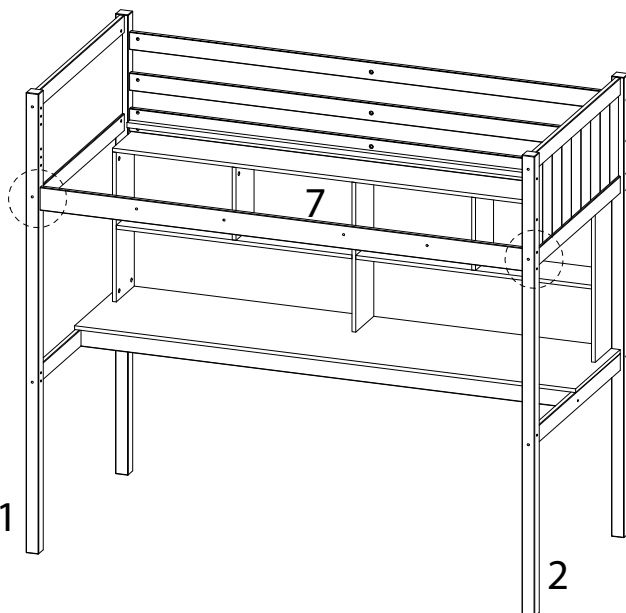
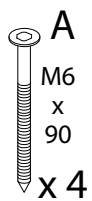
K



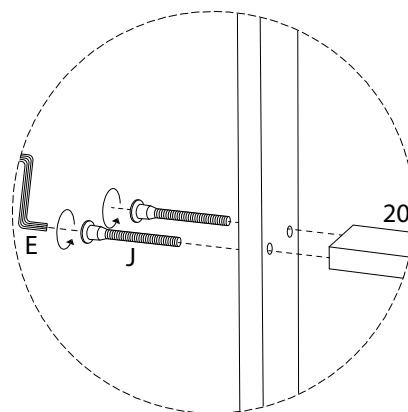
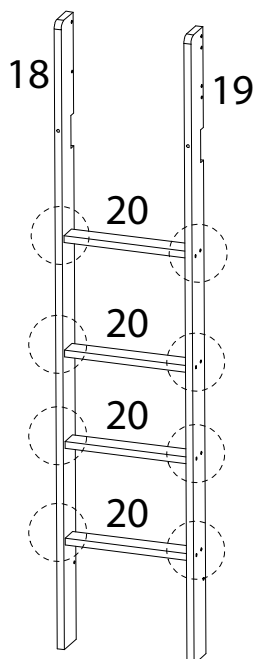
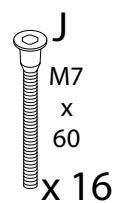
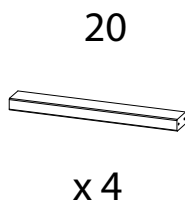
M



18

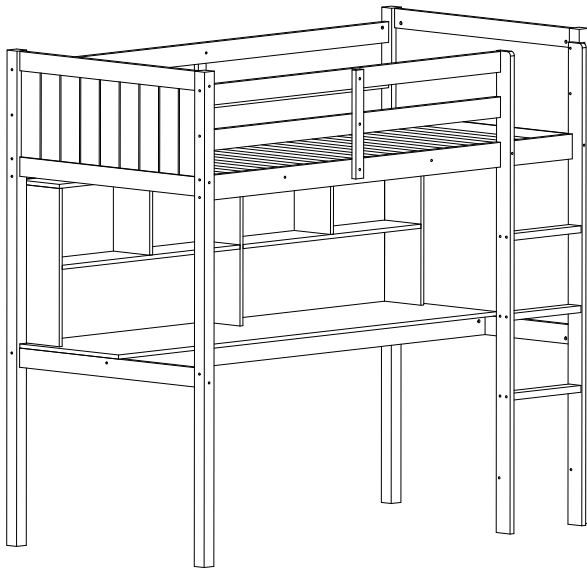
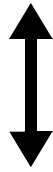
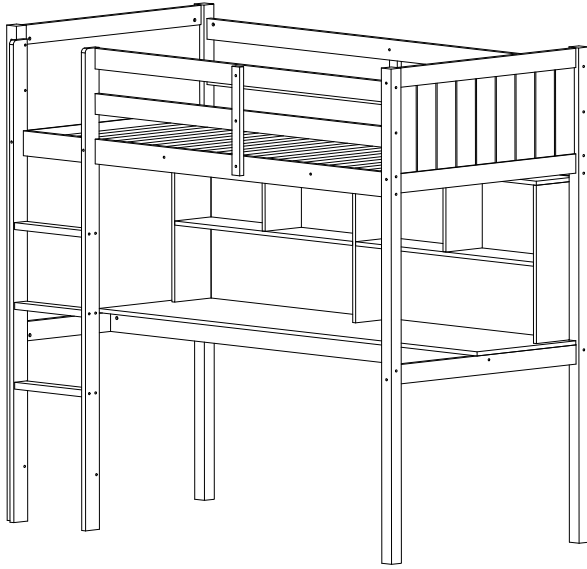


19

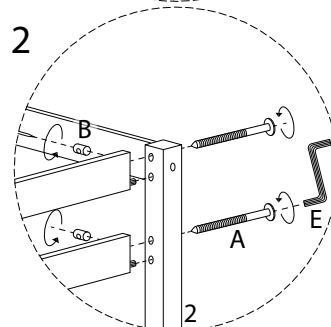
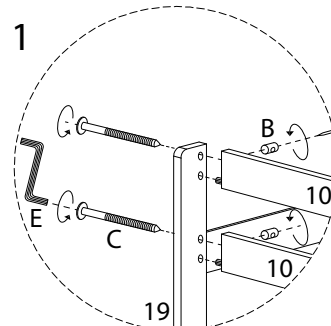
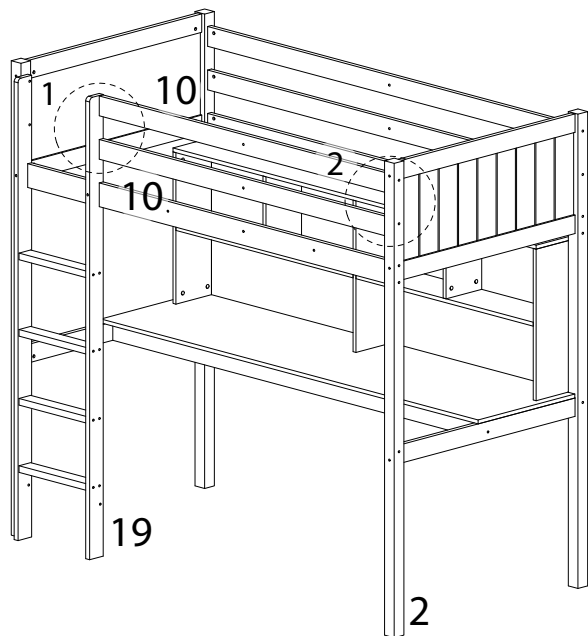
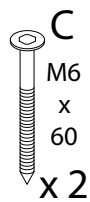
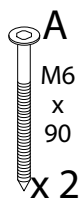




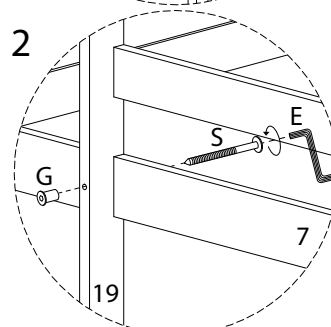
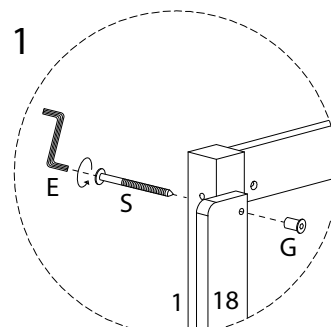
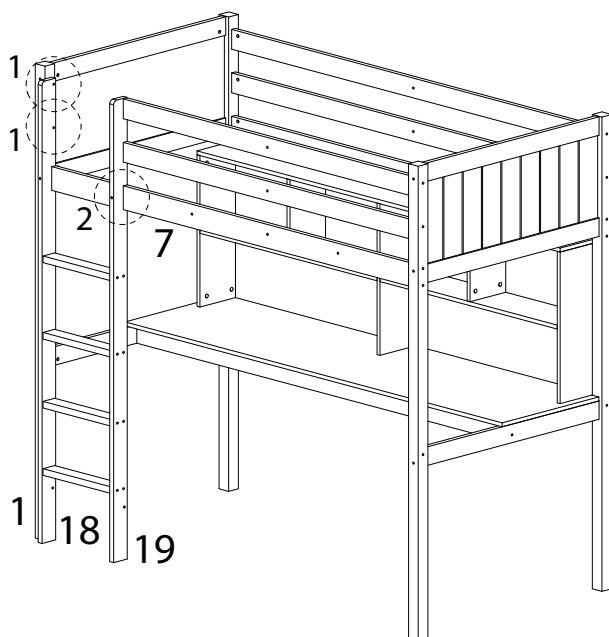
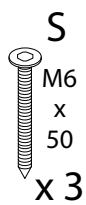
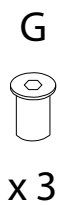
!



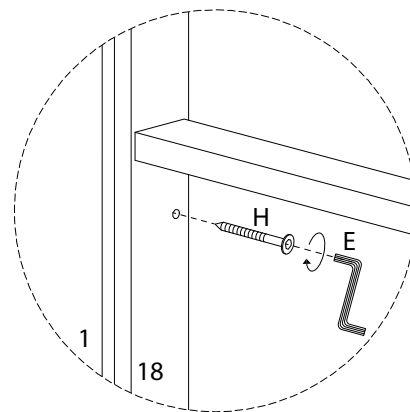
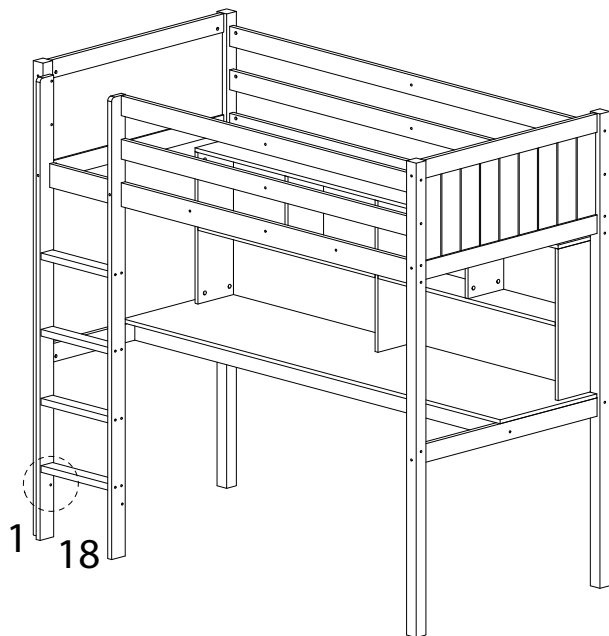
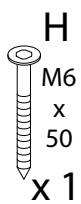
20



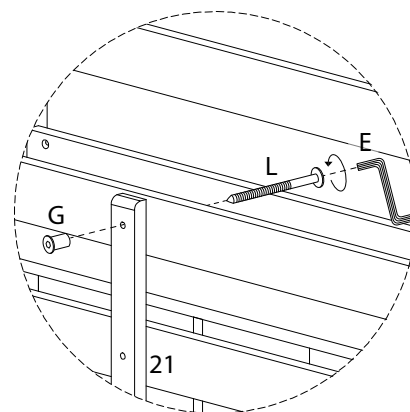
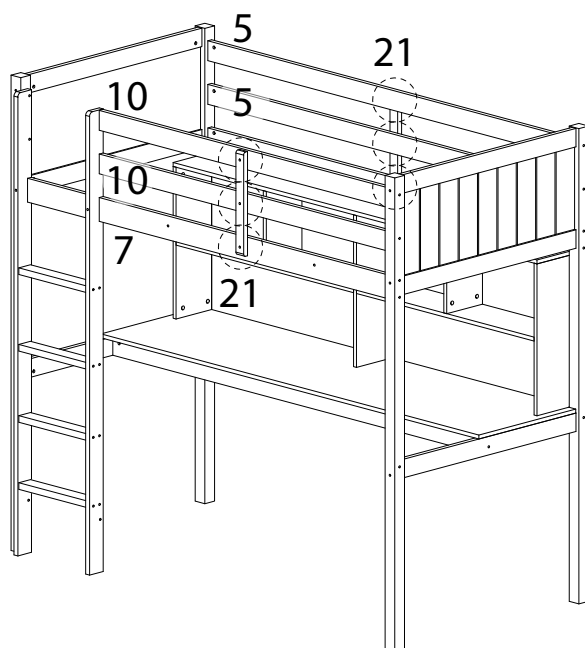
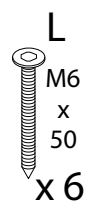
21



22

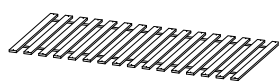


23



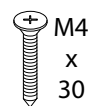
24

23

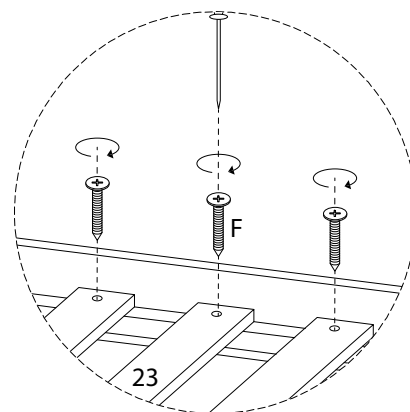
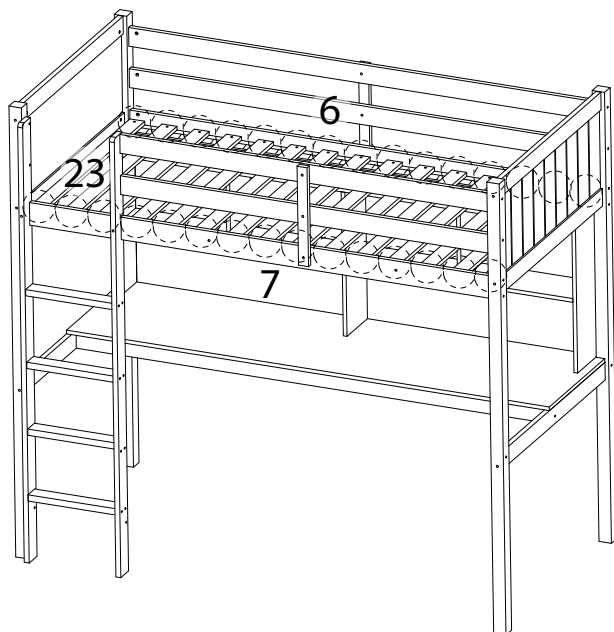


x 1

F



x 32

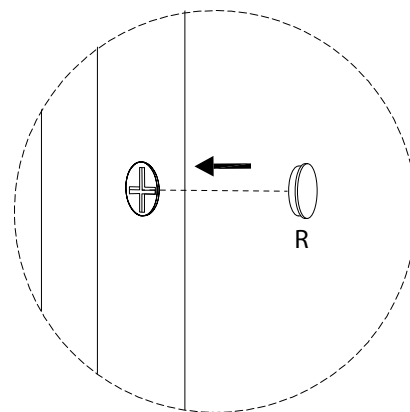
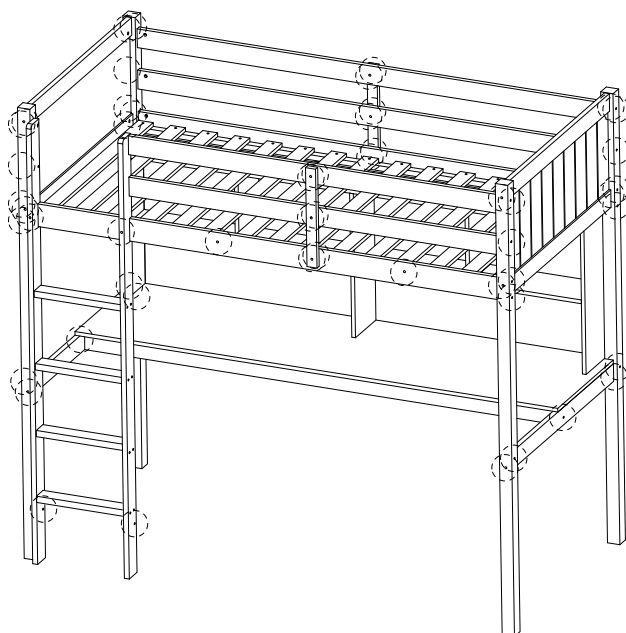


25

R



x 60



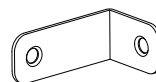
26

K



x 2

N



x 2

