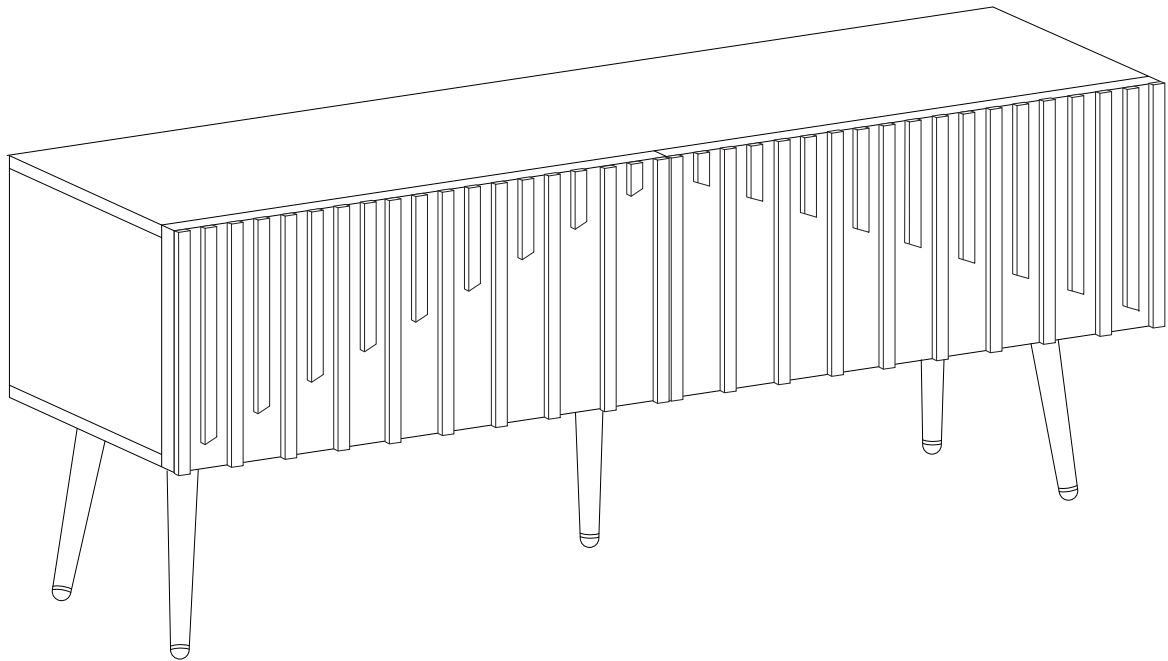
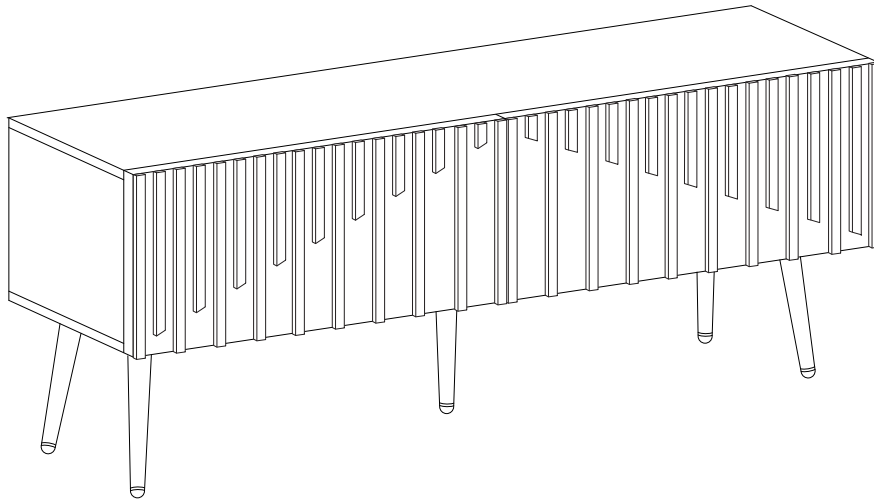
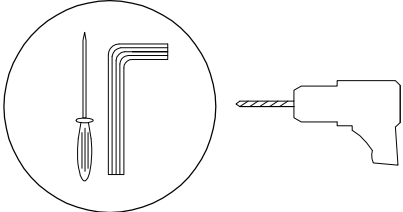

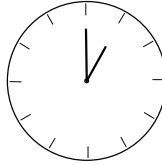
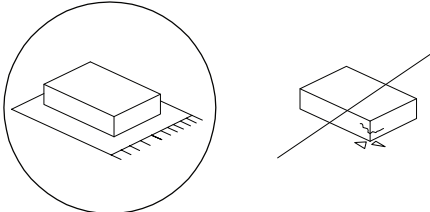


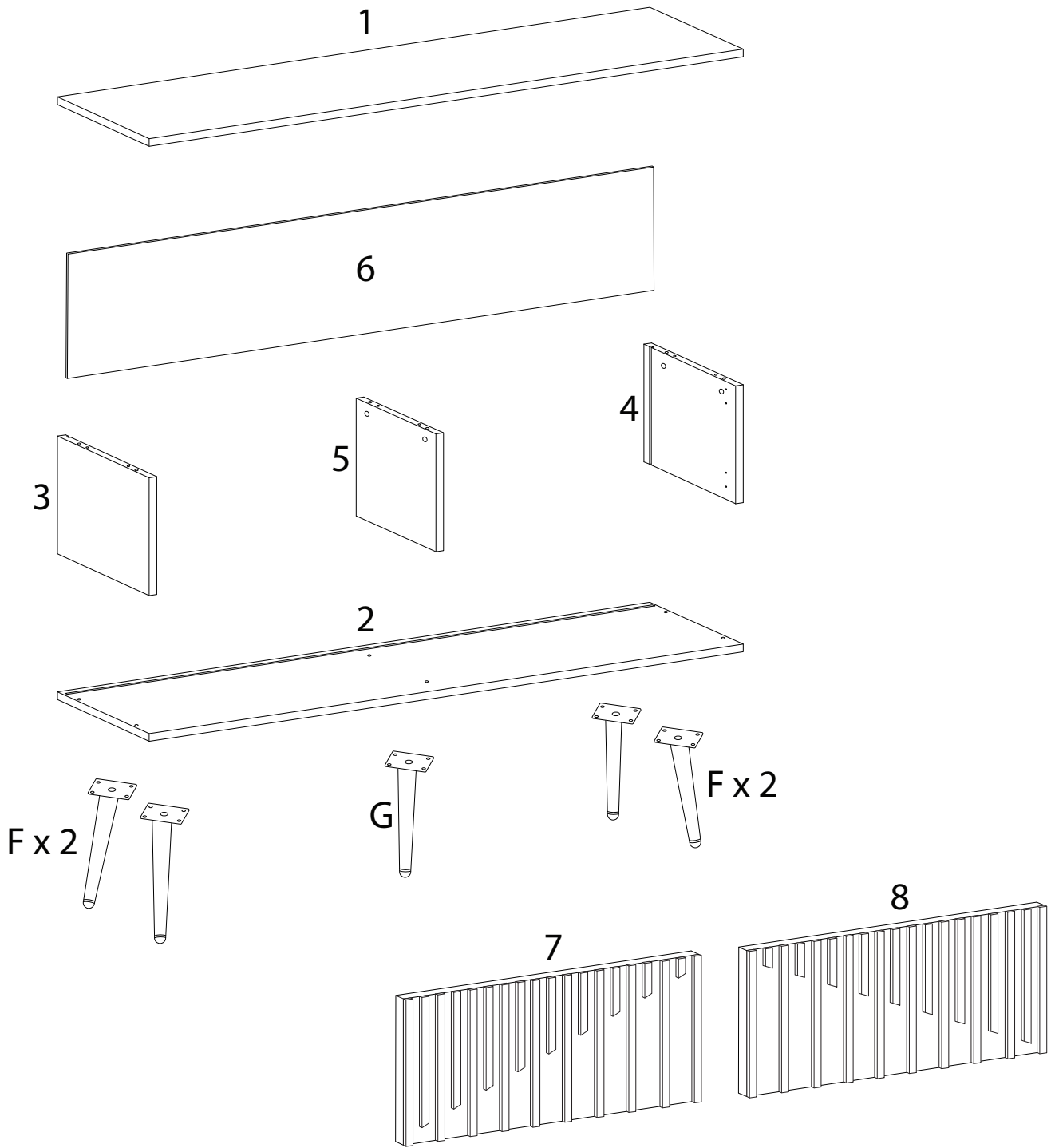


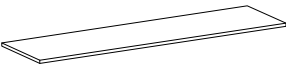

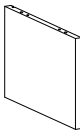
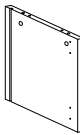
# DALCROSS



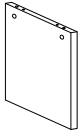


		
		<b>60'</b>
		
		<b>2</b>



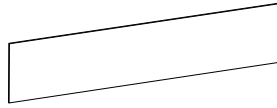
<p><b>1</b></p>  <p><b>x 1</b></p>	<p><b>2</b></p>  <p><b>x 1</b></p>	<p><b>3</b></p>  <p><b>x 1</b></p>	<p><b>4</b></p>  <p><b>x 1</b></p>
---	---	---	---

5



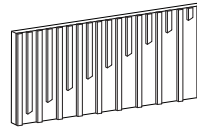
x 1

6



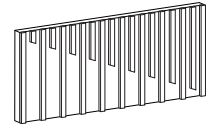
x 1

7



x 1

8



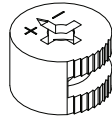
x 1

A1



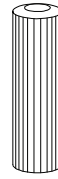
x 6

A2



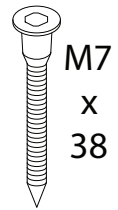
x 6

B



x 6

C



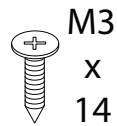
x 6

D



x 1

E



x 50

F



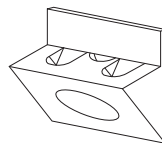
x 4

G



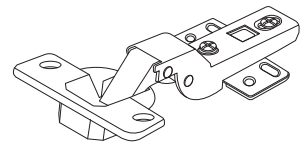
x 1

H



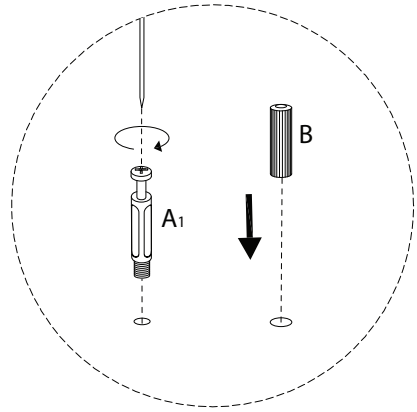
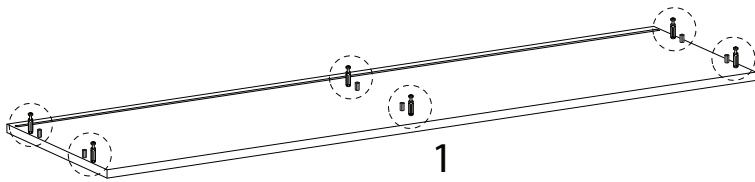
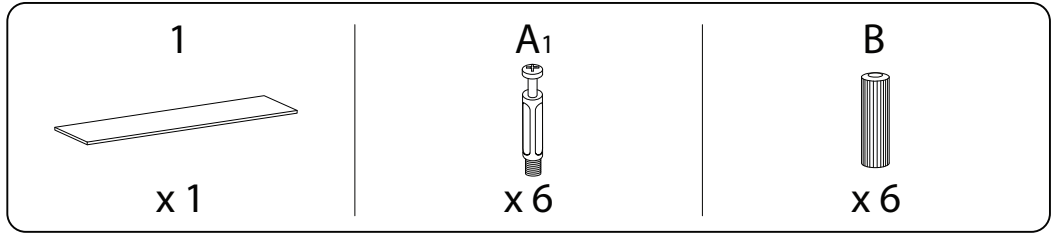
x 6

I

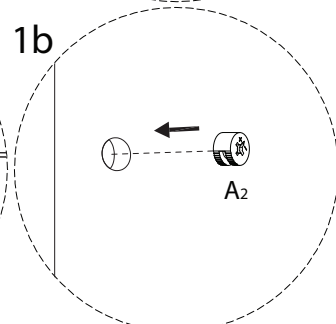
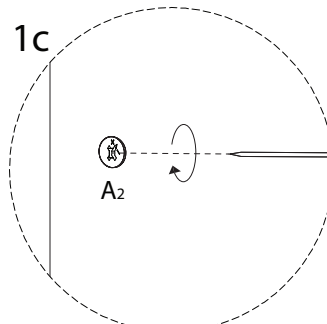
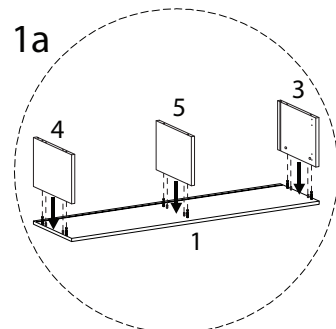
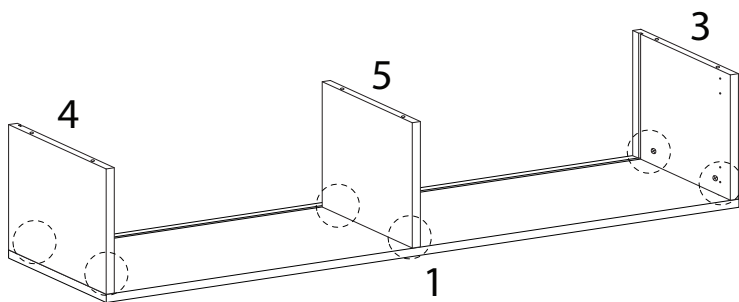
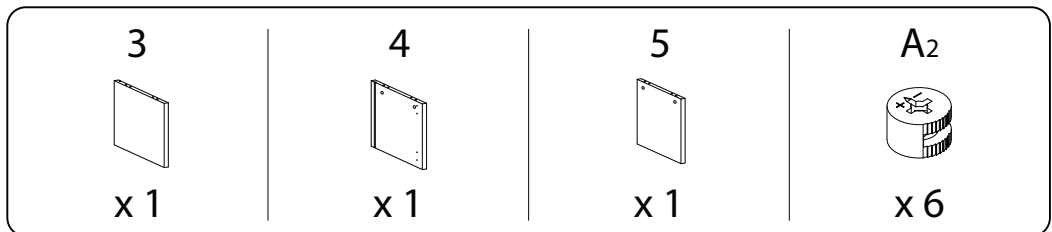


x 4

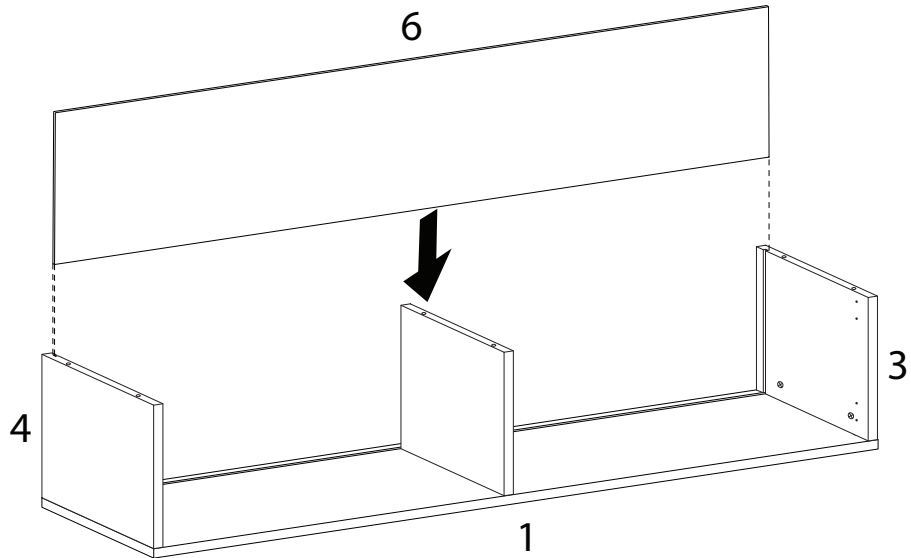
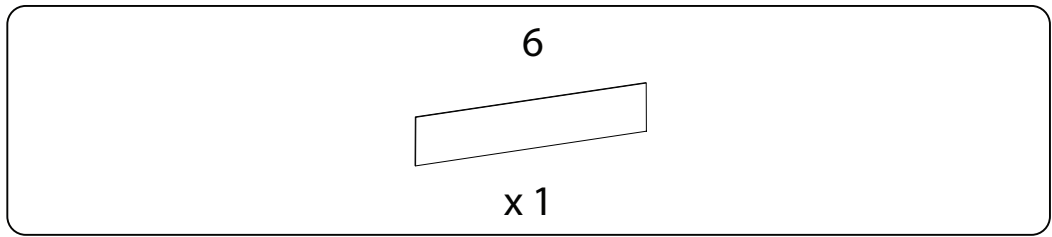
1



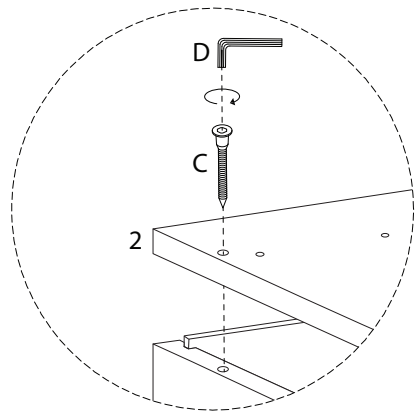
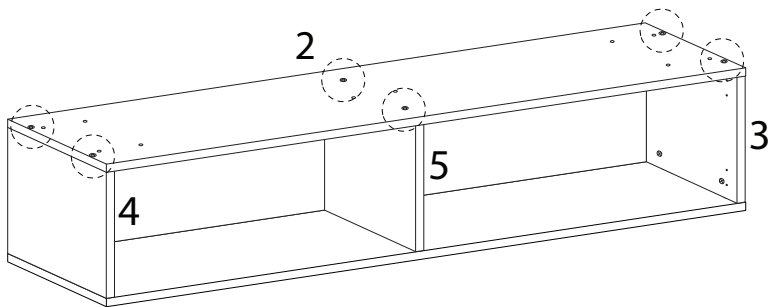
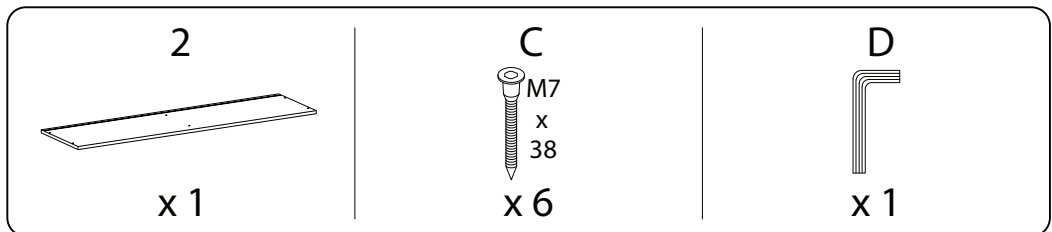
2



3



4

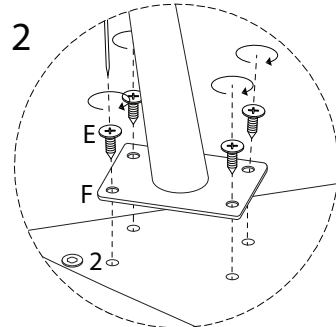
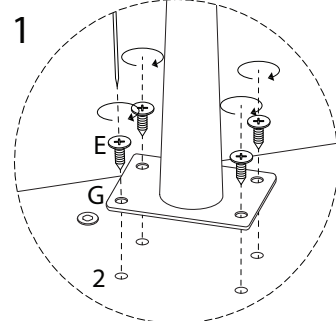
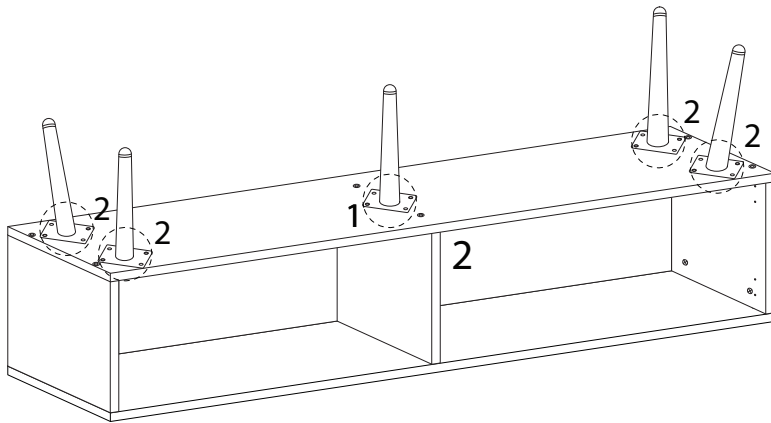


5

E  
M3  
x  
14  
x 20

F  
x 4

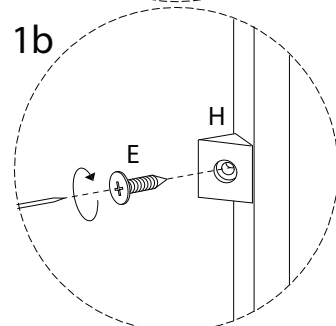
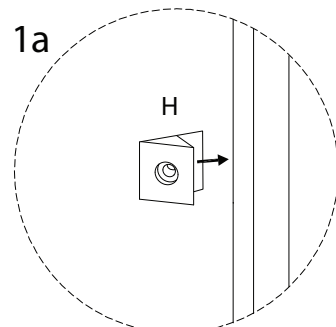
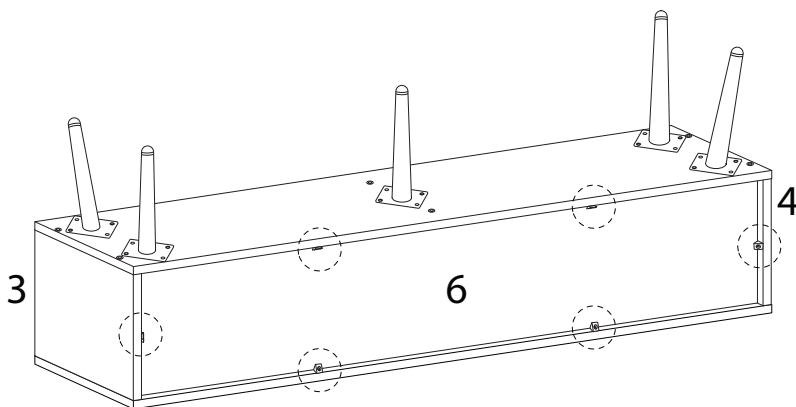
G  
x 1



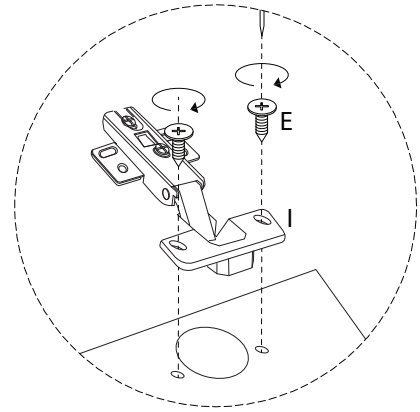
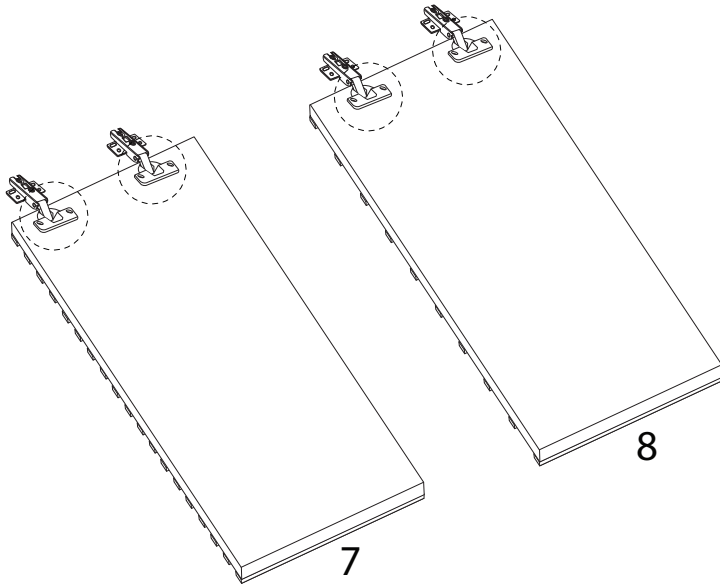
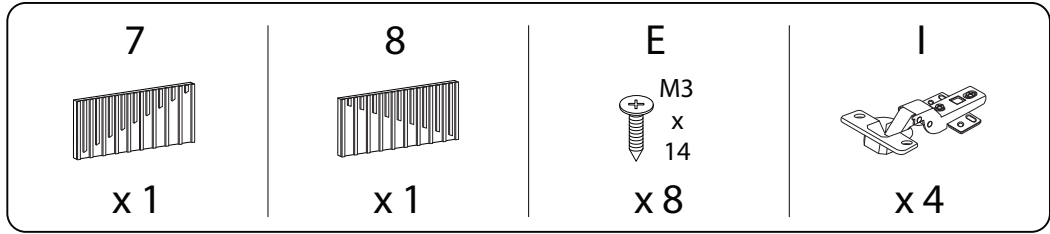
6

E  
M3  
x  
14  
x 6

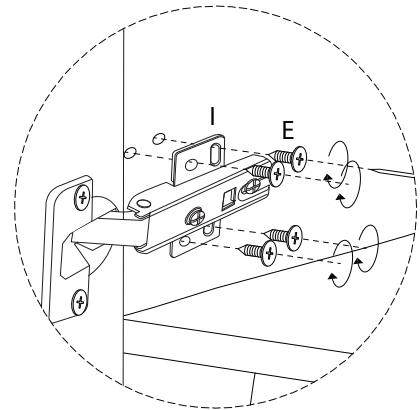
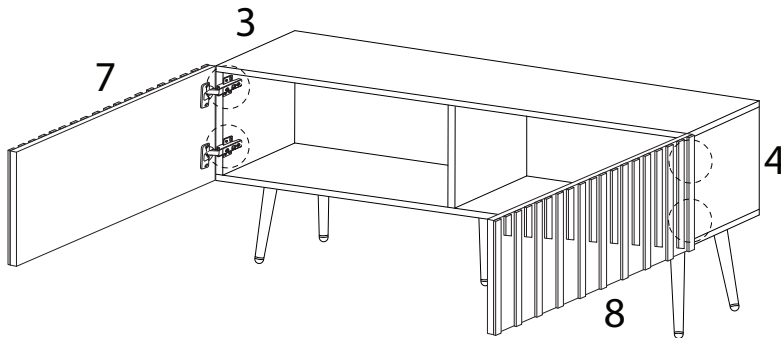
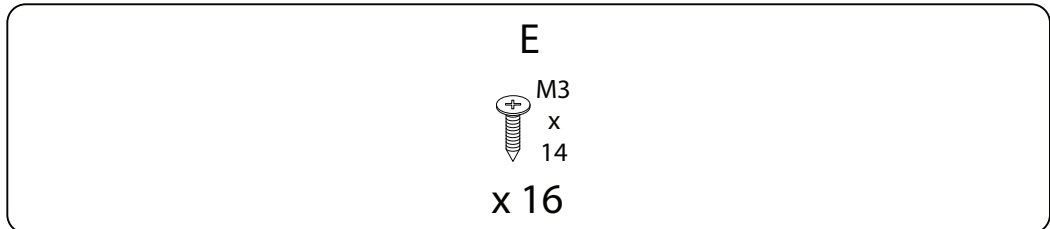
H  
x 6



7

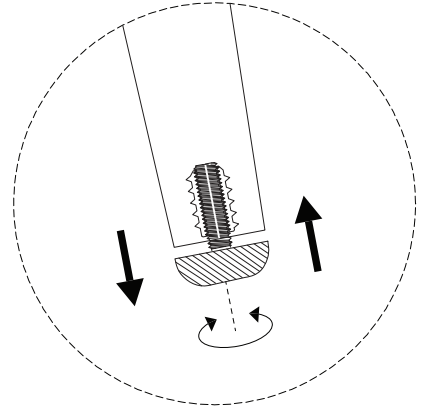
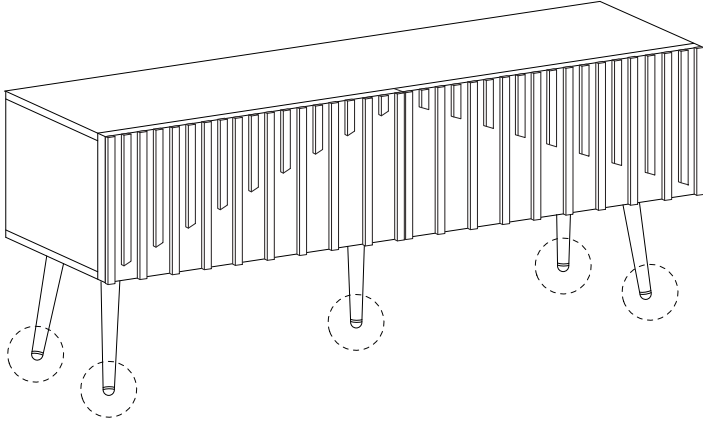


8





9



!

