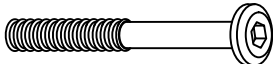

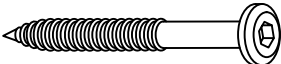
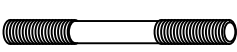
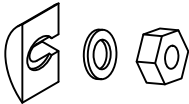




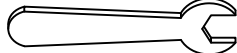
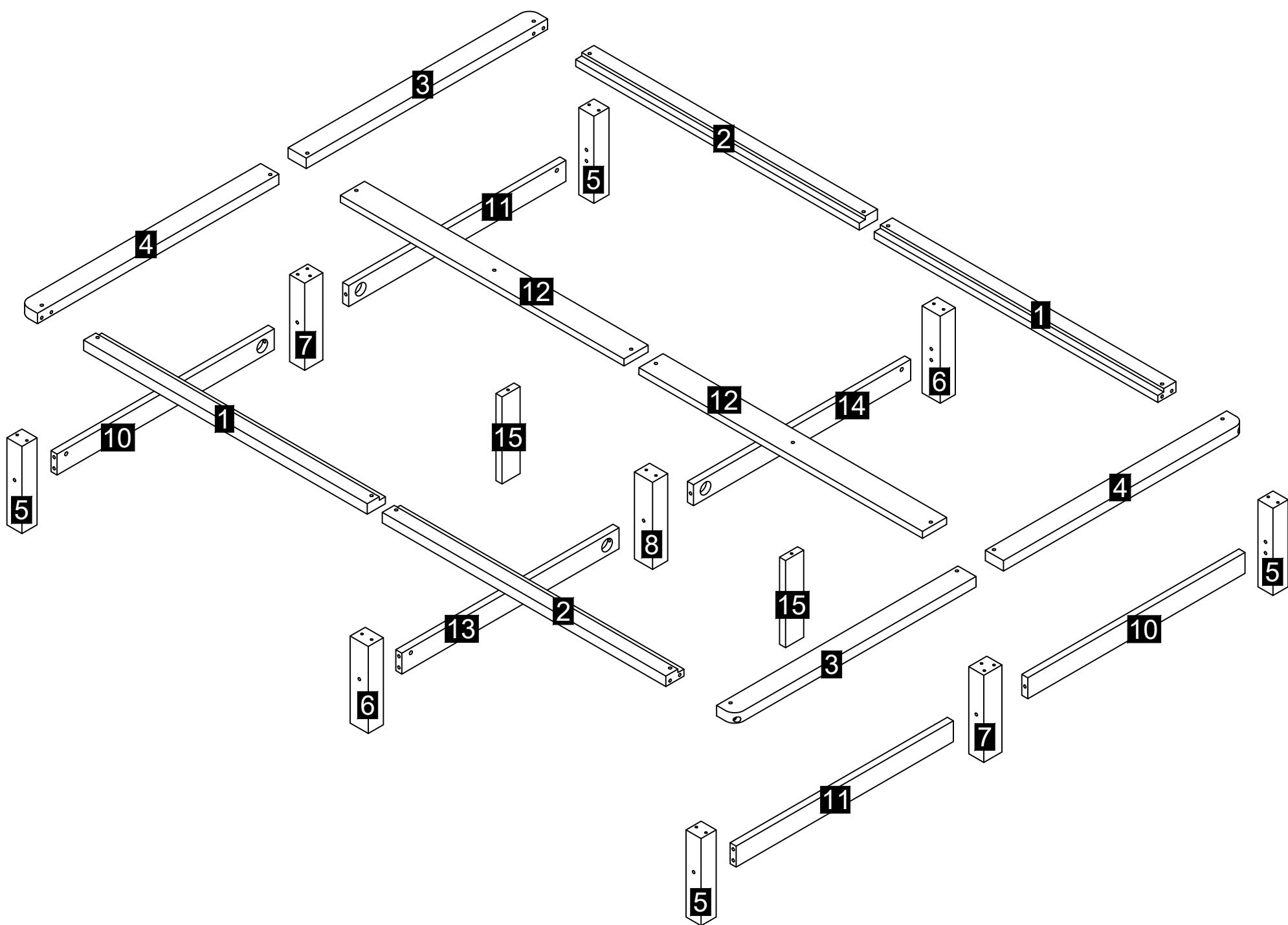
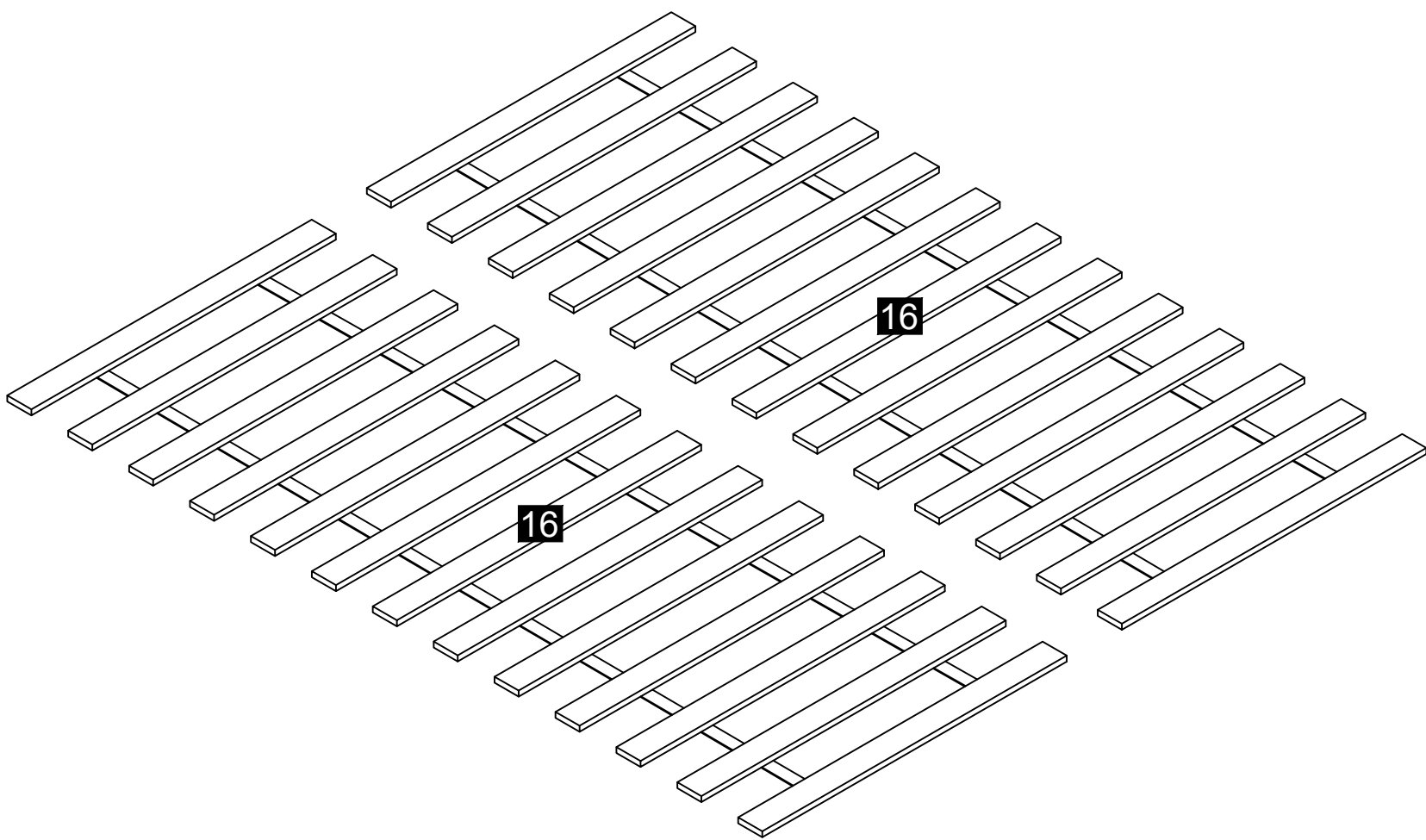
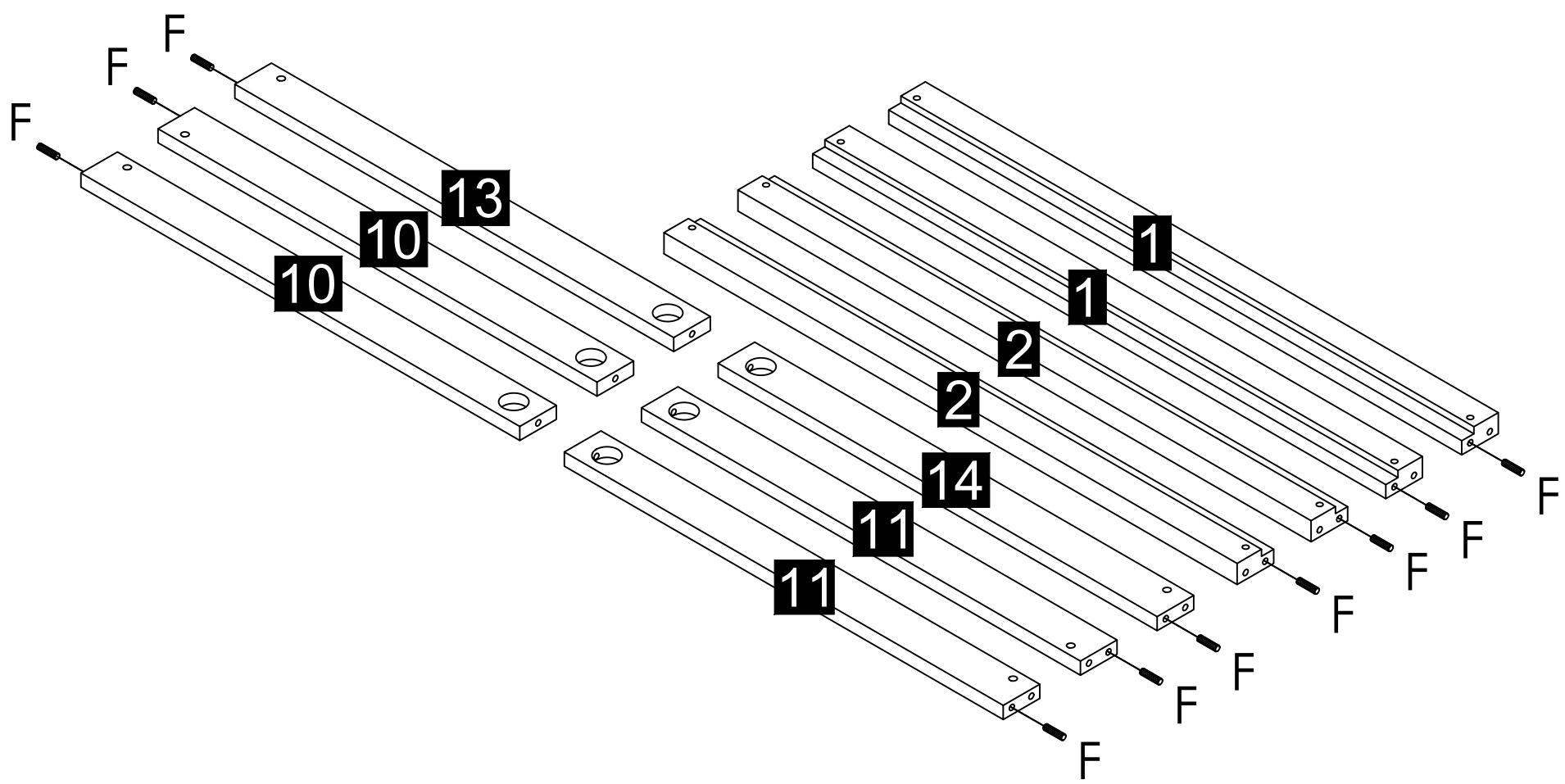
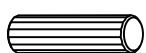


A		M6*90	10
B			10
C		Φ6*70	16
D		M6*140	3
E		M6	6
F		Φ8*30	10
H		Φ7*50	6
I		4*30	52
J			1
K			2

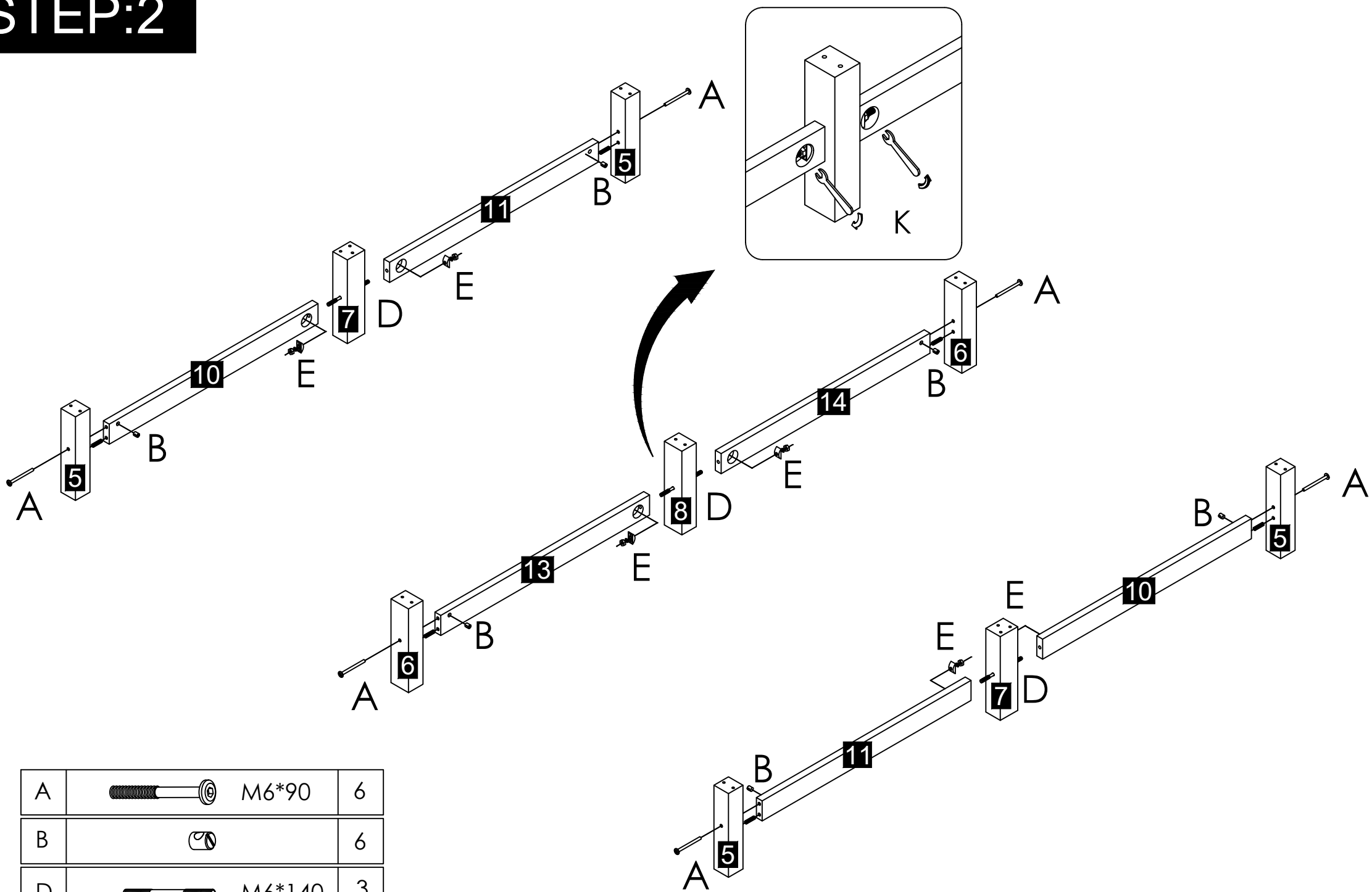





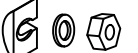
STEP:1



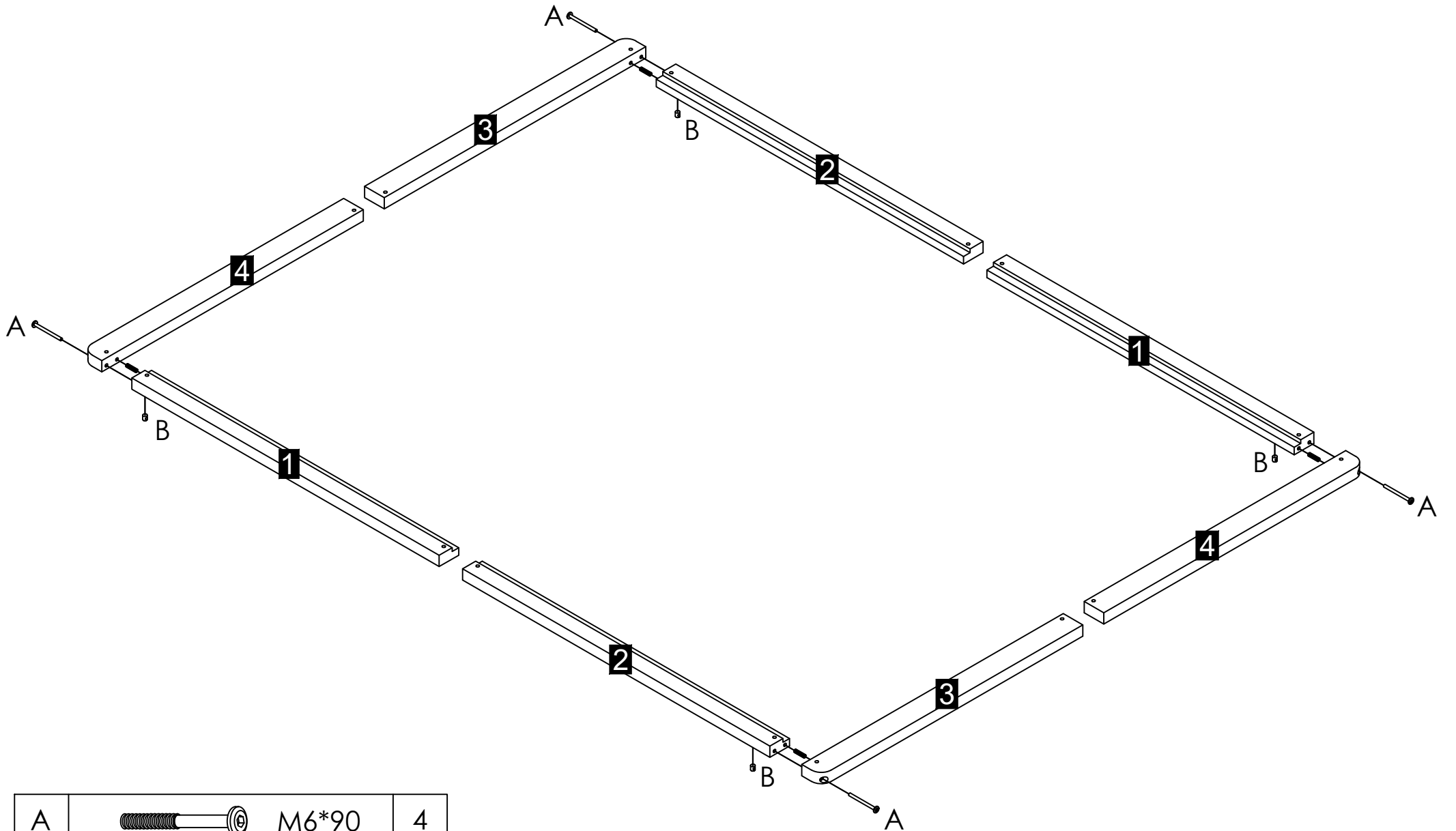
F		Φ8*30	10
---	---	-------	----



STEP:2



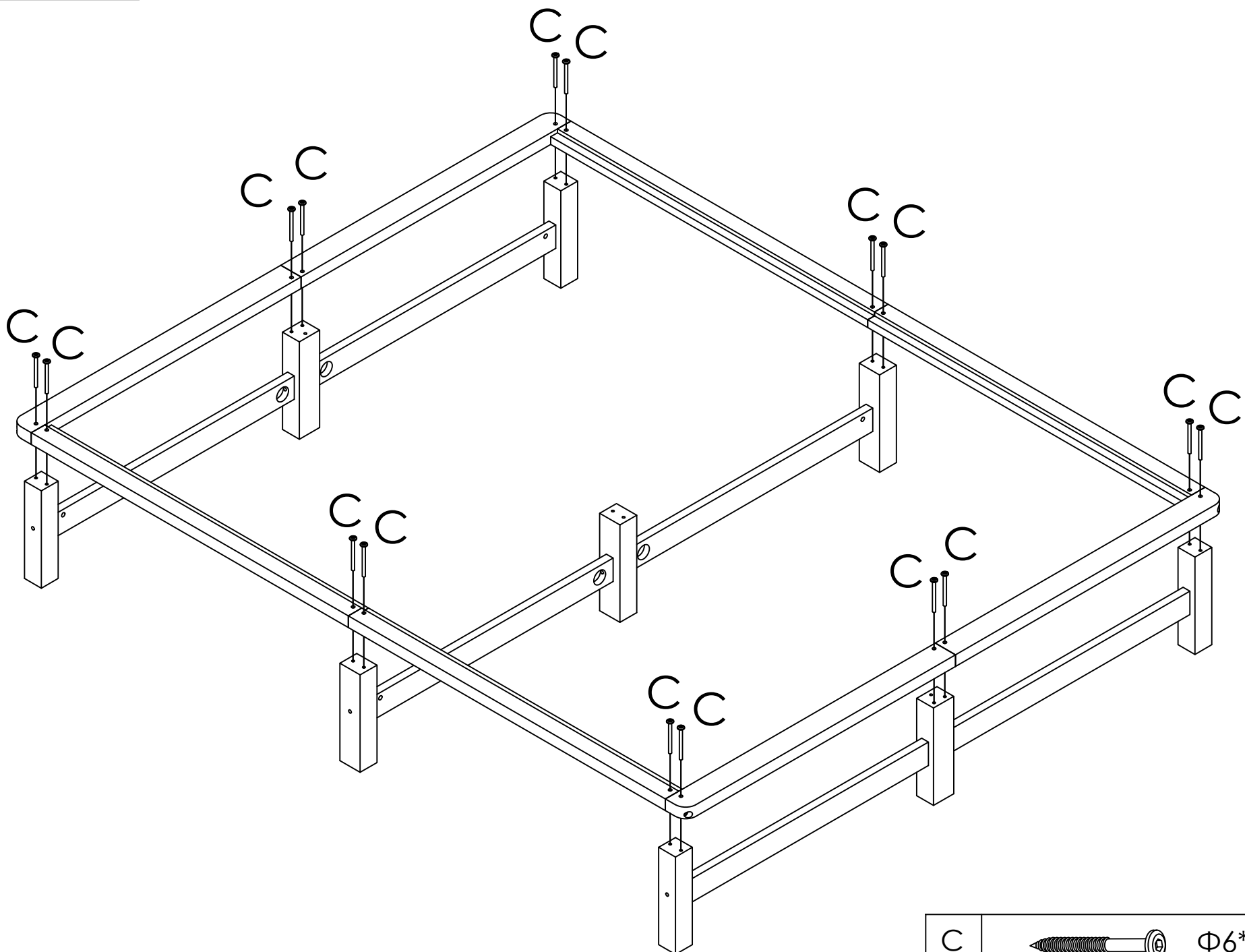
A		M6*90	6
B			6
D		M6*140	3
E		M6	6

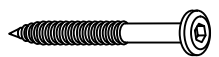
STEP:3



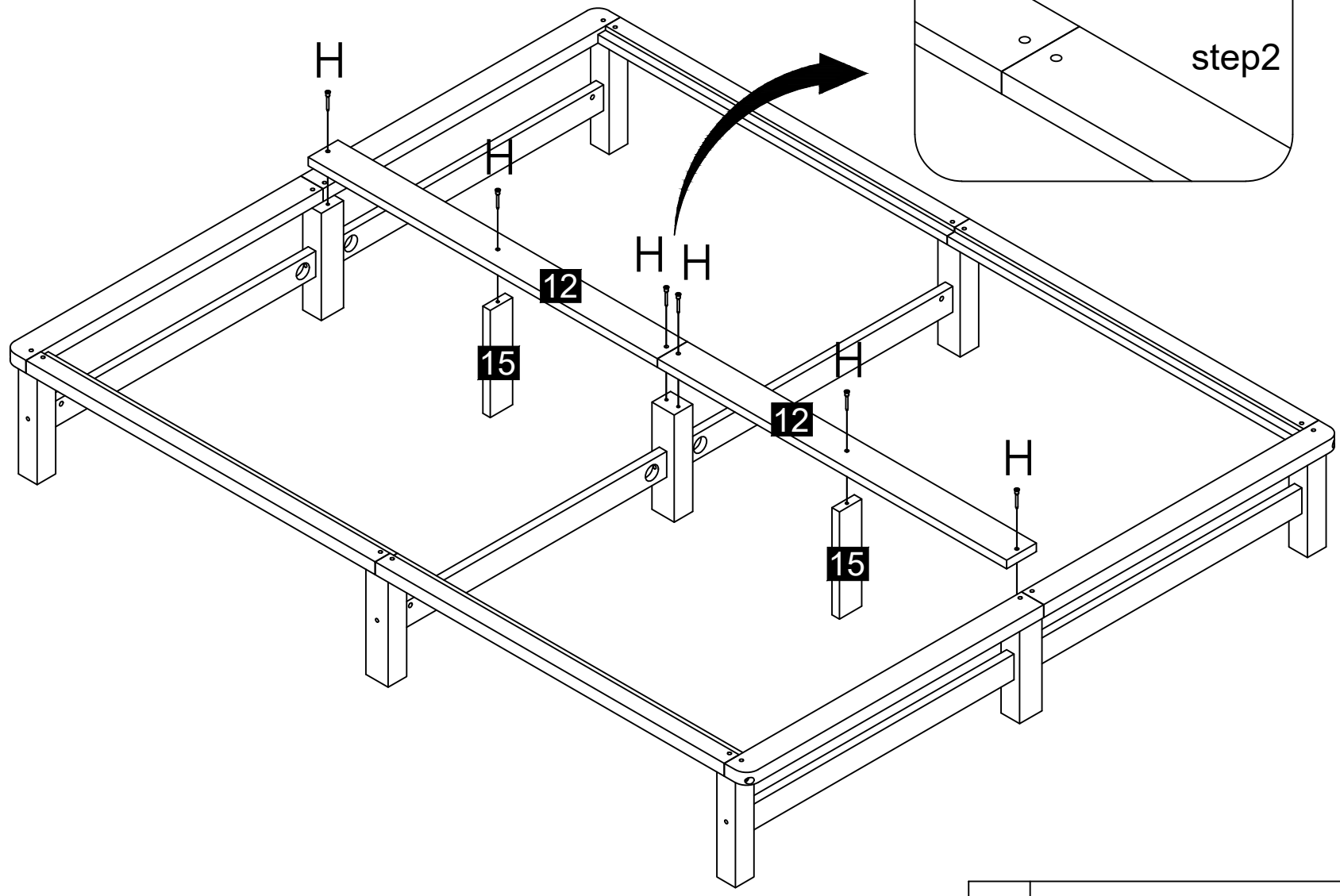
A		M6*90	4
B			4


STEP:4



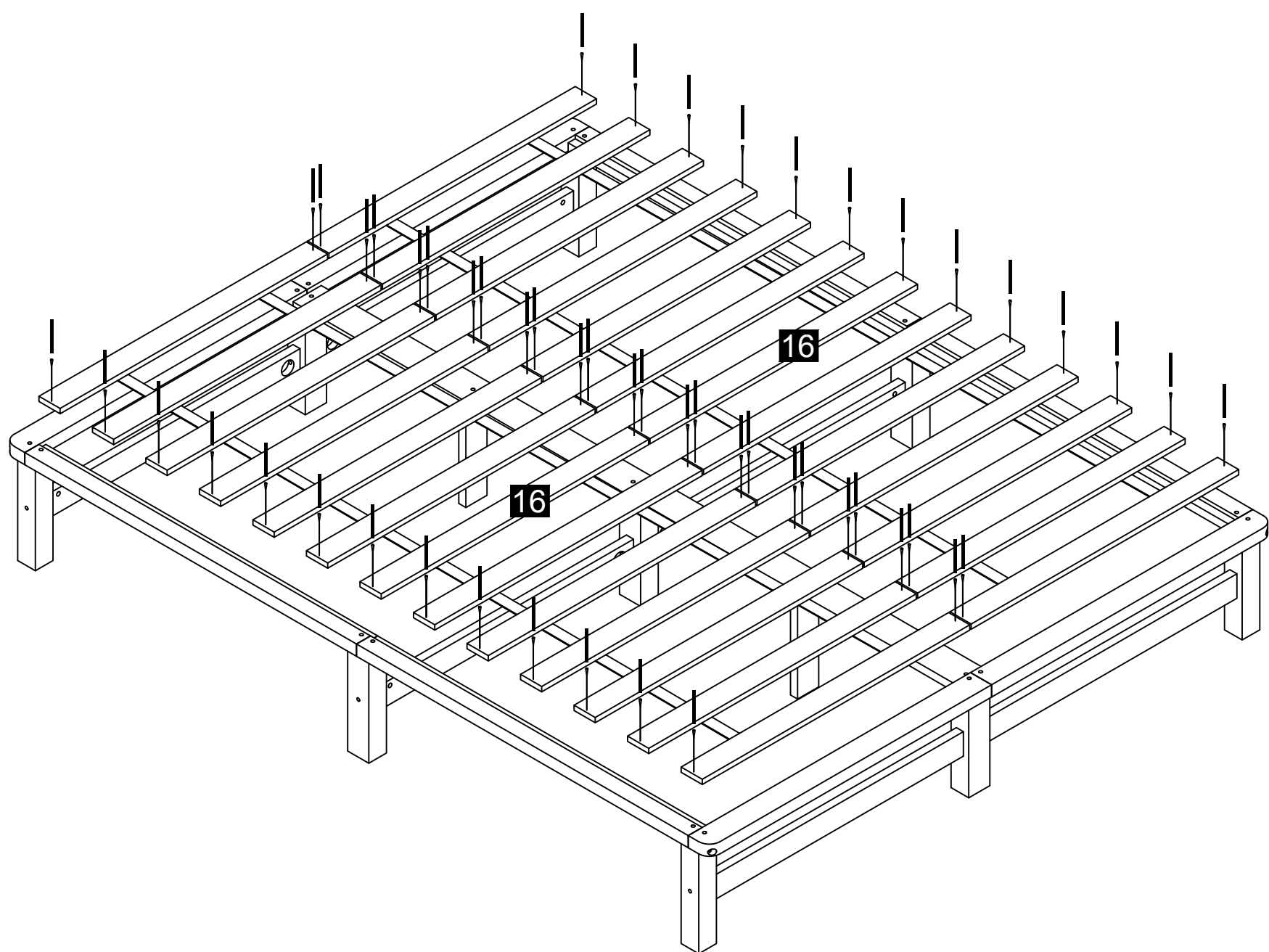
C		Φ6*70	16
---	---	-------	----


STEP:5



H		Φ7*50	6
---	---	-------	---

STEP:6



I		4*30	52
---	---	------	----