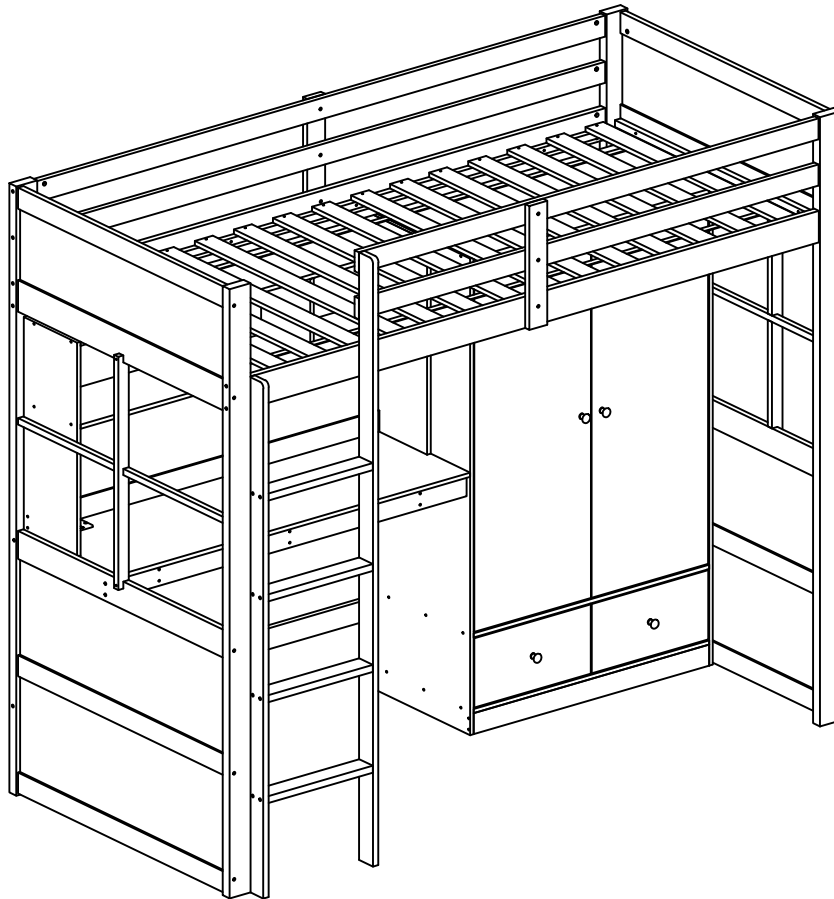


Installation sanleitung  
Installation InstKuction  
InstuKction d'instKallation

## Etagenbett 90 \*200



**DE:** Unser Produkt wird Ihnen in 4 Paketen geliefert. Die Lieferzeiten dieser 4 Pakete können abweichen, bitte haben Sie etwas Geduld und vielen Dank für Ihr Verständnis.

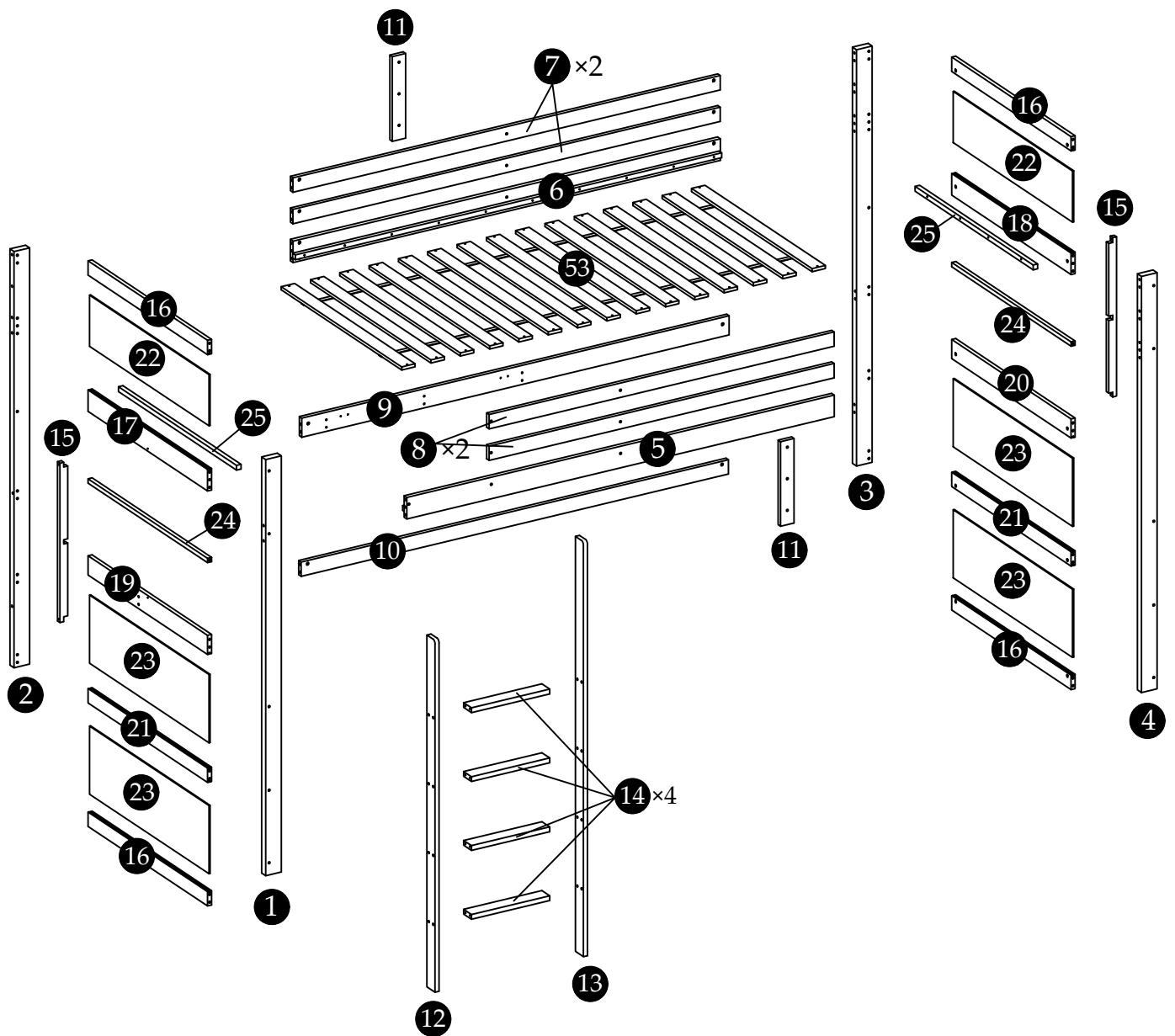
**UK:** Our product will be delivered to you in 4 packages. The delivery times of these 4 packages may differ, please be patient and thank you for your understanding.

**FR:** Notre produit vous sera livré en 4 colis. Les délais de livraison de ces 4 colis peuvent différer, soyez patient et merci pour votre compréhension.

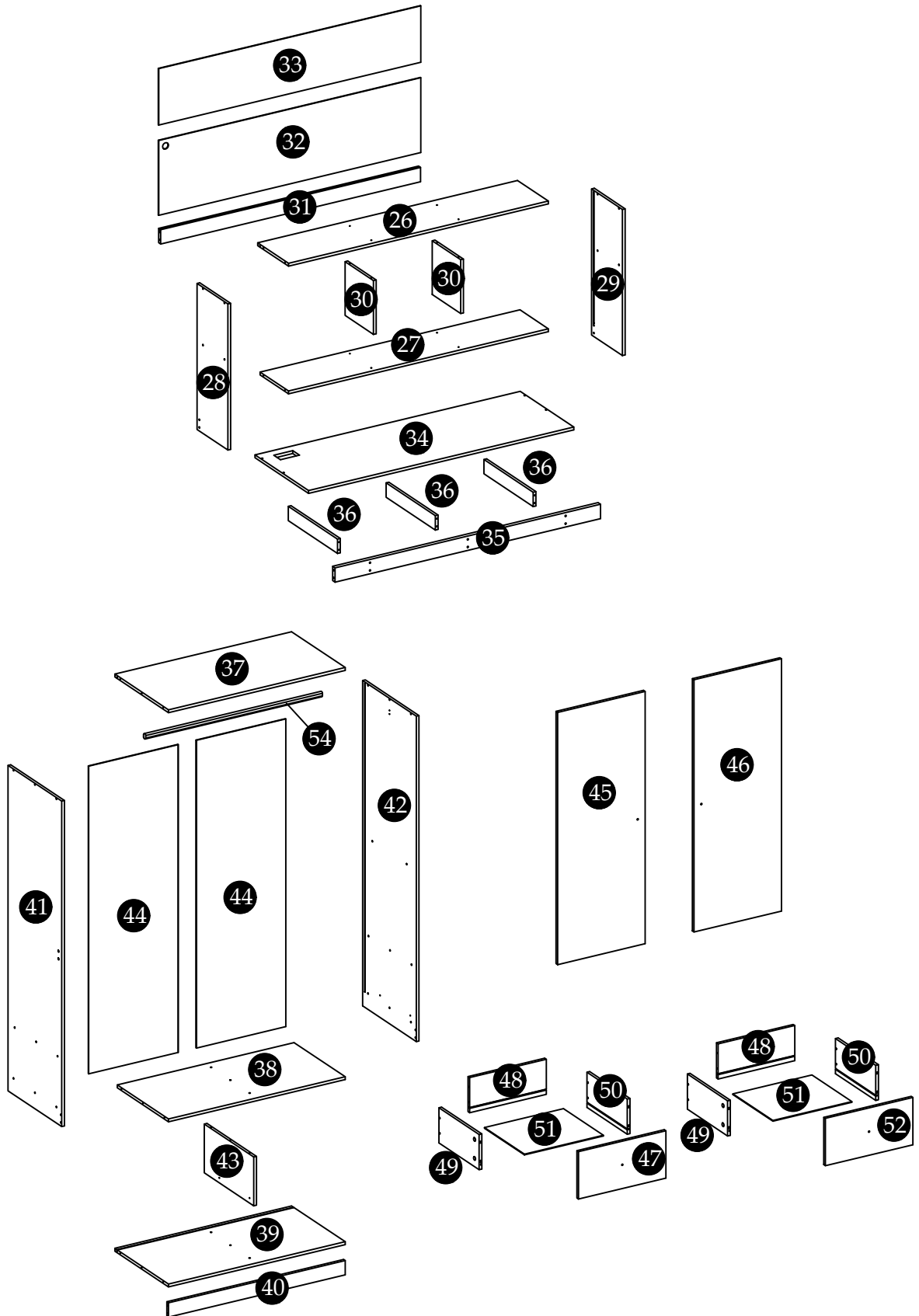
N623P446102  
N623P446103  
N623P446104  
N623P446105

---

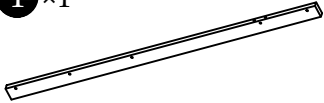
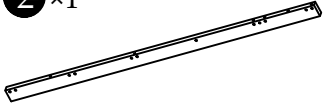
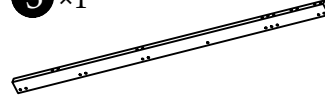
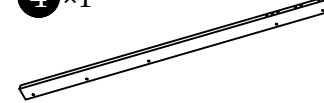
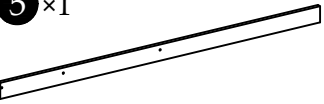
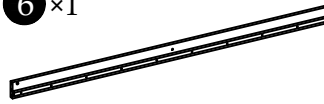
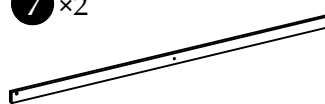
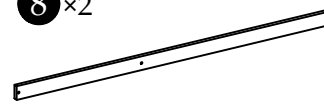
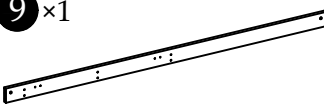

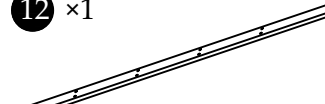
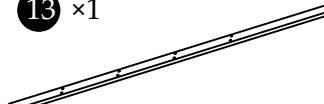
# Detailansicht 1/2





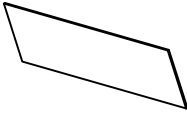

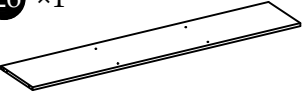
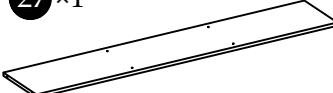
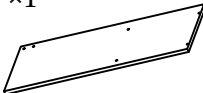
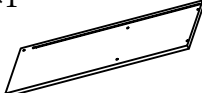


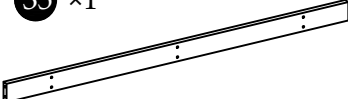

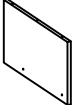

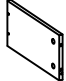
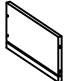
# Detailansicht2/2




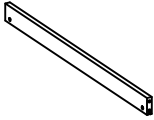
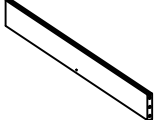

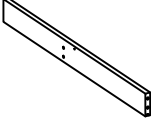
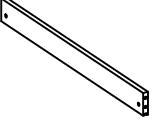

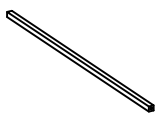
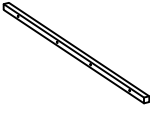
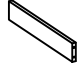
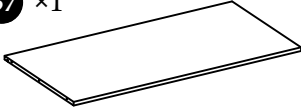
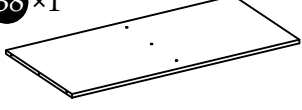
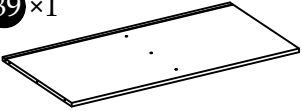
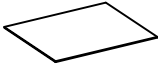
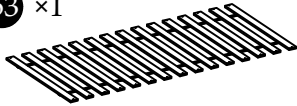

# N623P446102

<b>1</b> ×1 	<b>2</b> ×1 	<b>3</b> ×1 	<b>4</b> ×1 
<b>5</b> ×1 	<b>6</b> ×1 	<b>7</b> ×2 	<b>8</b> ×2 
<b>9</b> ×1 	<b>10</b> ×1 	<b>12</b> ×1 	<b>13</b> ×1 

# N623P446103

<b>11</b> ×2 	<b>14</b> ×4 	<b>22</b> ×2 	<b>23</b> ×4 
<b>26</b> ×1 	<b>27</b> ×1 	<b>28</b> ×1 	<b>29</b> ×1 
<b>30</b> ×2 	<b>31</b> ×1 	<b>35</b> ×1 	<b>40</b> ×1 
<b>43</b> ×1 	<b>48</b> ×2 	<b>49</b> ×2 	<b>50</b> ×2 

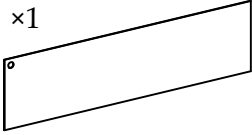
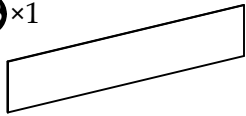

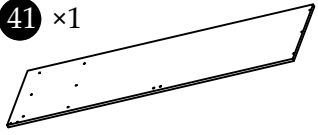
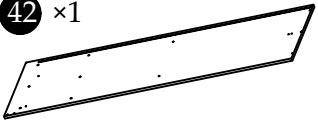
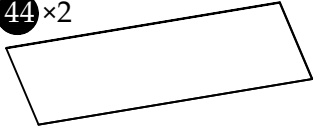
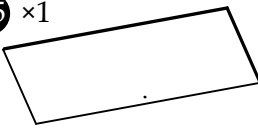
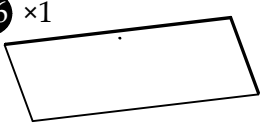
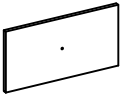

# N623P446104

<b>15</b> ×2 	<b>16</b> ×4 	<b>17</b> ×1 	<b>18</b> ×1 
<b>19</b> ×1 	<b>20</b> ×1 	<b>21</b> ×2 	<b>24</b> ×2 
<b>25</b> ×2 	<b>36</b> ×3 	<b>37</b> ×1 	<b>38</b> ×1 
<b>39</b> ×1 	<b>51</b> ×2 	<b>53</b> ×1 	<b>54</b> ×1 






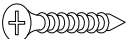
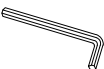



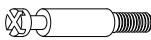

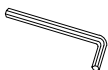


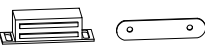



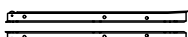




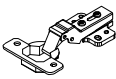


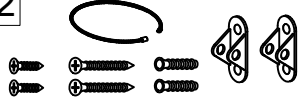



Hardware box

1PC

# N623P446105

<b>32</b> ×1 	<b>33</b> ×1 	<b>34</b> ×1 	<b>41</b> ×1 
<b>42</b> ×1 	<b>44</b> ×2 	<b>45</b> ×1 	<b>46</b> ×1 
<b>47</b> ×1 	<b>52</b> ×1 		

# N623P446104 — Hardware box

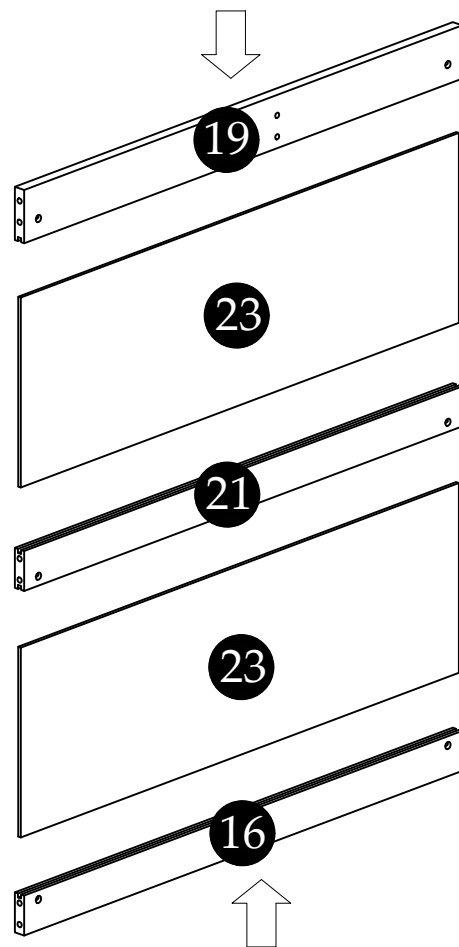
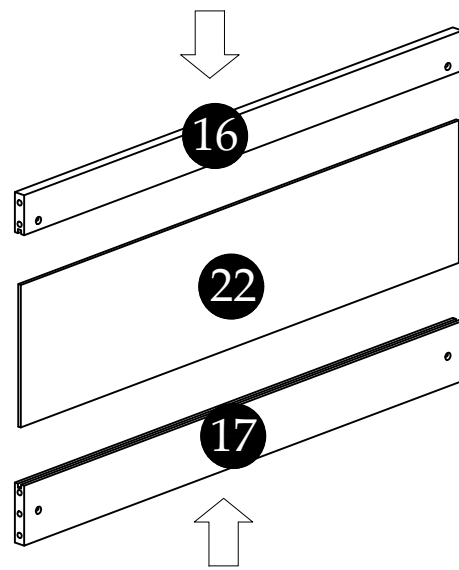
<b>A</b>  M6*110mm(18PCS)	<b>B</b>  M6*70mm(20PCS)	<b>C</b>  (38PCS)	<b>D</b>  Φ8*30mm(42PCS)
<b>E</b>  Φ5*40mm(72PCS)	<b>F</b>  Φ4*30mm(44PCS)	<b>G</b>  M3(1PC)	<b>H</b>  (1PC)
<b>I</b>  Φ7*50mm(2PCS)	<b>J</b>  Φ3*12mm(85PCS)	<b>K</b>  Φ6*40mm(8PCS)	<b>L</b>  Φ15*9.5mm(8PCS)
<b>M</b>  M4(2PCS)	<b>N</b>  Φ3*16mm(4PCS)	<b>O</b>  Φ7*60mm(22PCS)	<b>P</b>  (2PCS)
<b>Q</b>  M6*25mm(6PCS)	<b>R</b>  M8*20mm(6PCS)	<b>S</b>  300mm(2PCS)	<b>T</b>  300mm(2PCS)
<b>U</b>  (5PCS)	<b>V</b>  (2PCS)	<b>W</b>  Φ4*18mm(4PCS)	<b>X</b>  (4PCS)
<b>Y</b>  (6PCS)	<b>Z</b>  3PCS	<b>A1</b>  1PC	<b>A2</b>  (2PCS)
<b>A3</b>  1160mm(1PC)	<b>A4</b>  1275mm(1PC)	<b>A5</b>  1PC	

VERWENDEN SIE KEINE POWER TOOLS, um dieses Produkt zusammenzubauen!

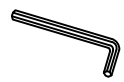

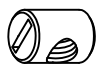

Do not use power tools to assemble this product!

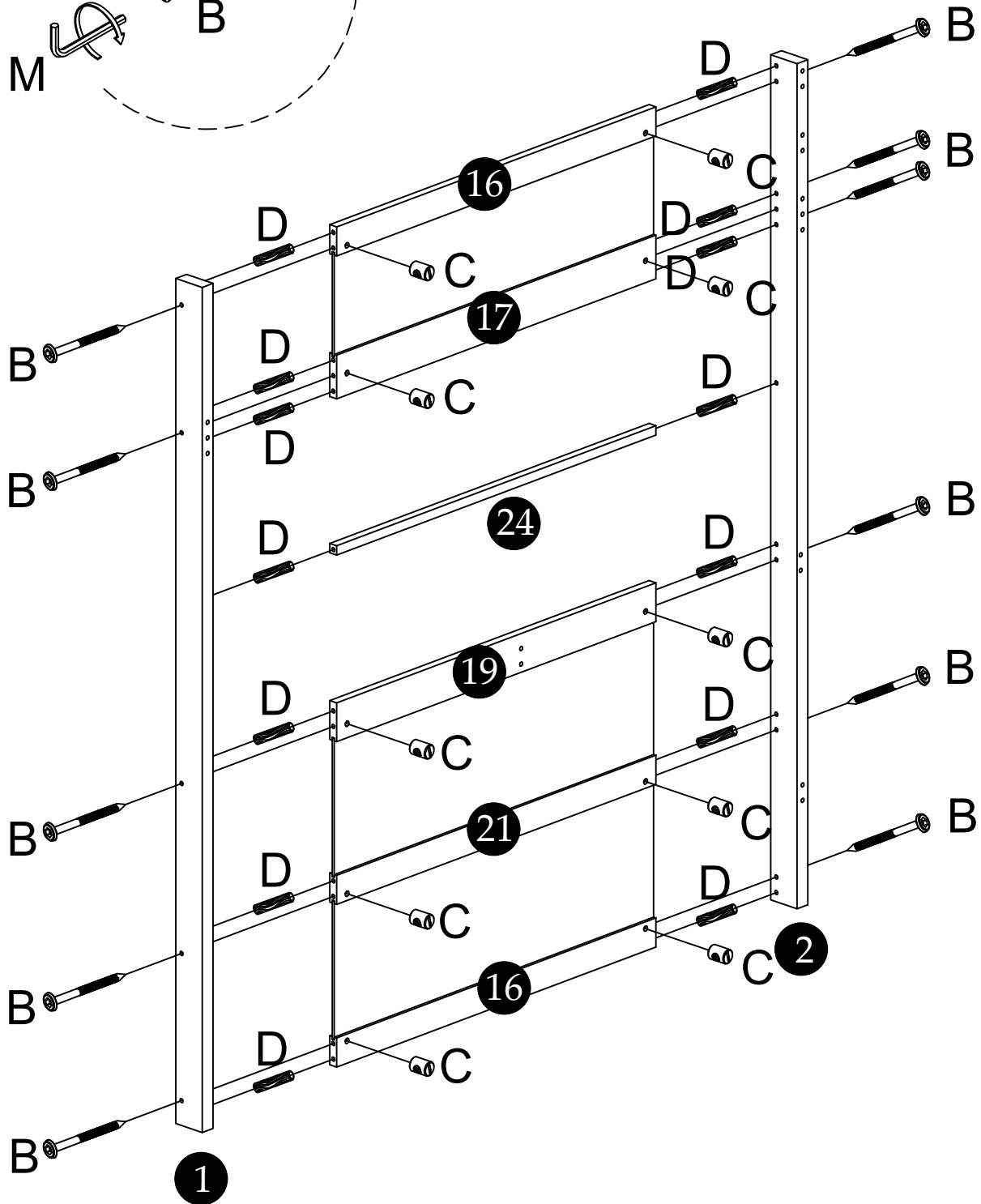
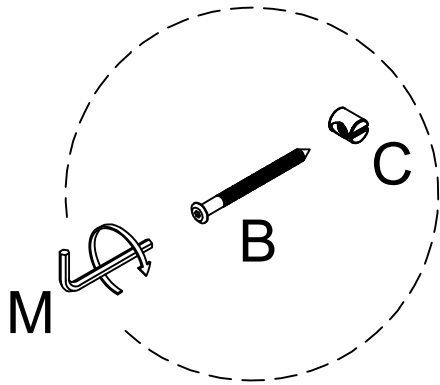
# SCHRITT 1 :

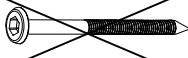

---




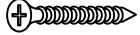
# SCHRITT 2:

M	B	C	D
			
1PC	10PCS	10PCS	14PCS

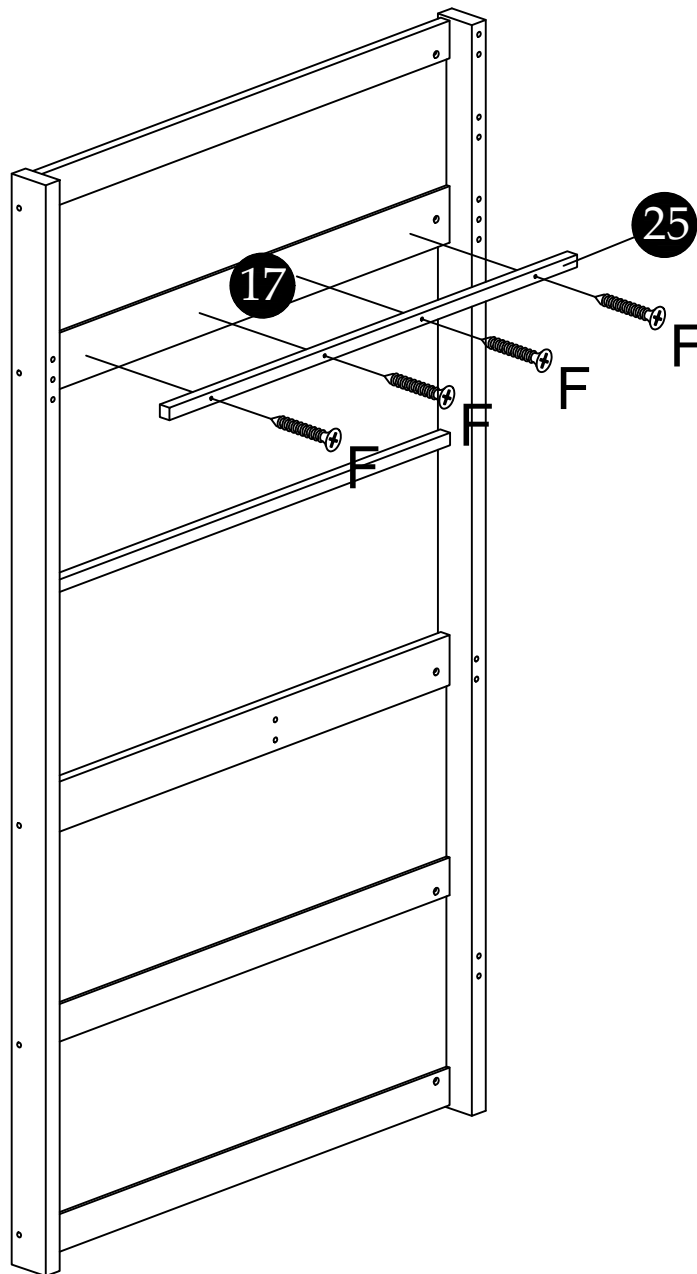
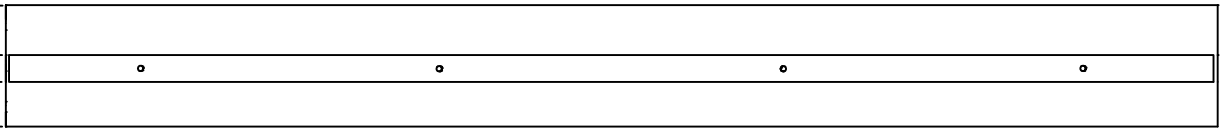


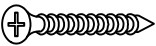


A	B
	
M6*110mm	M6*70mm(10PCS)

# SCHRITT 3 :

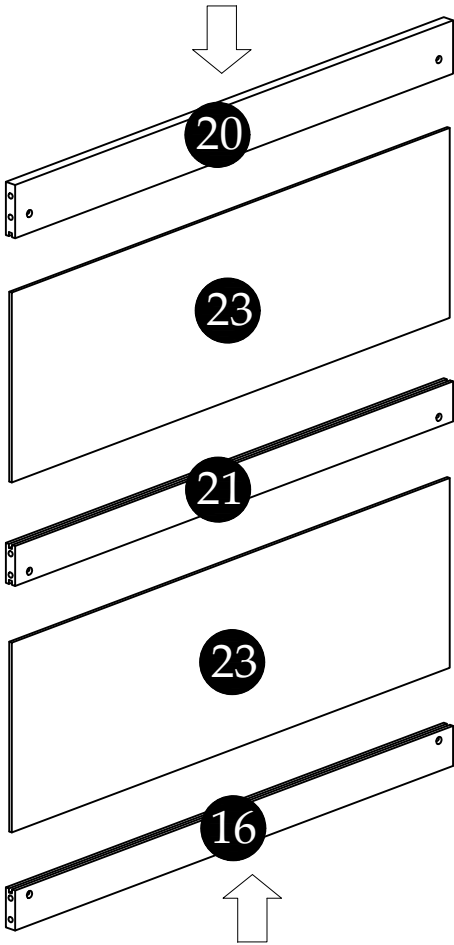
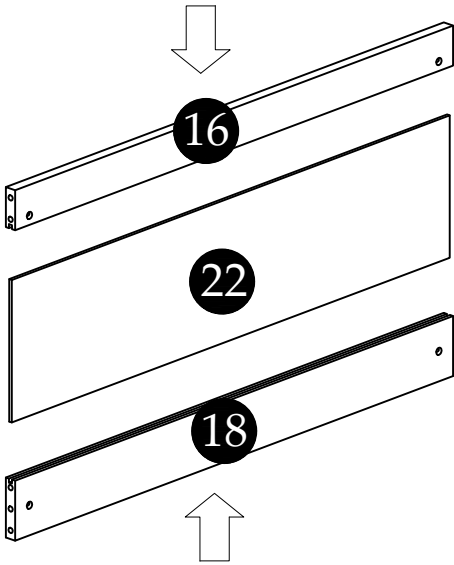
H	F
	
1PC	4PCS

33mm 37mm

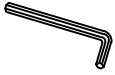





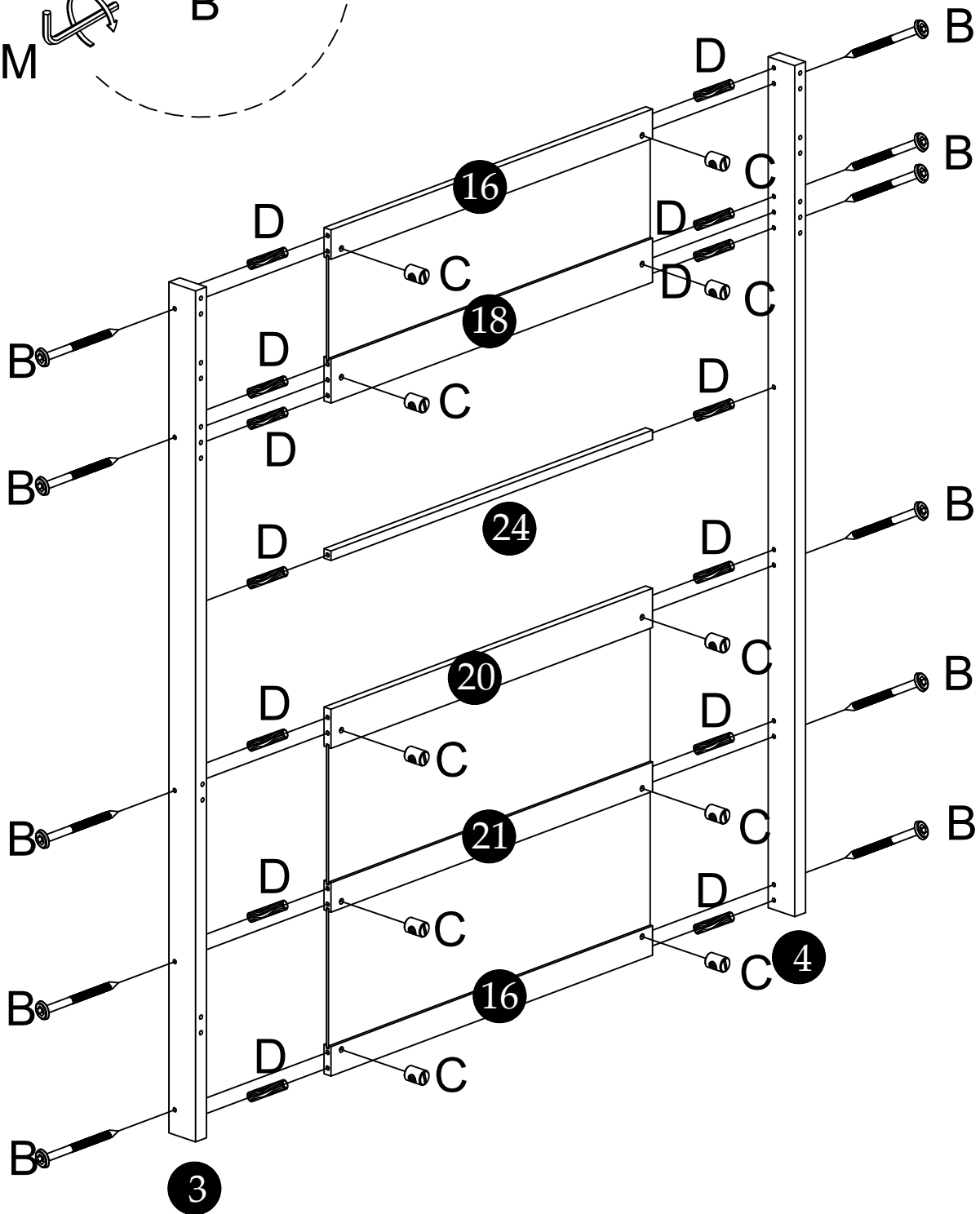
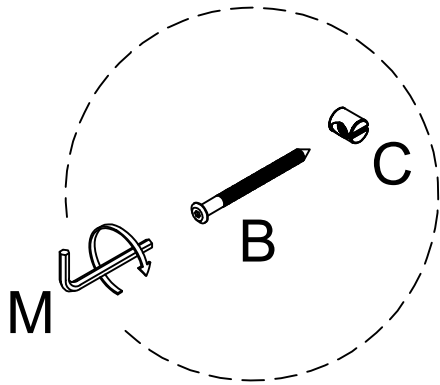
F	J	N
		
Φ4*30mm(4PCS)	Φ3*12mm	Φ3*16mm



SCHRITT 4 :




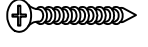
# SCHRITT 5 :

M	B	C	D
			
1PC	10PCS	10PCS	14PCS

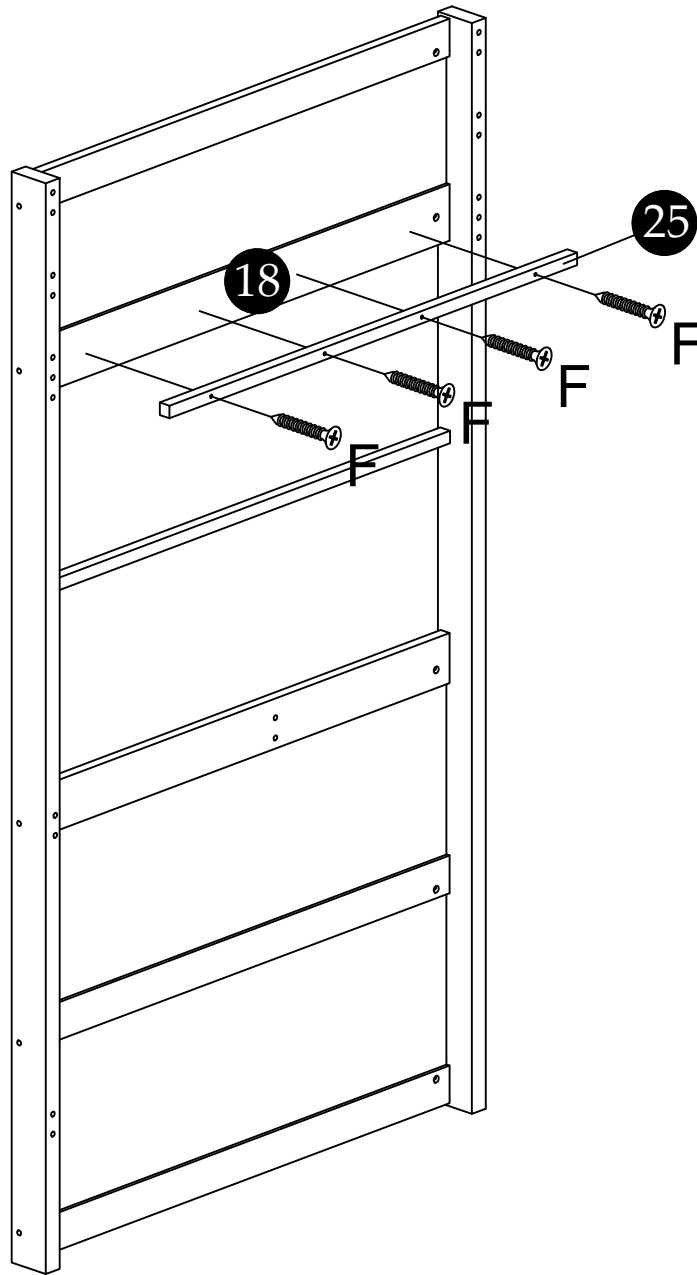
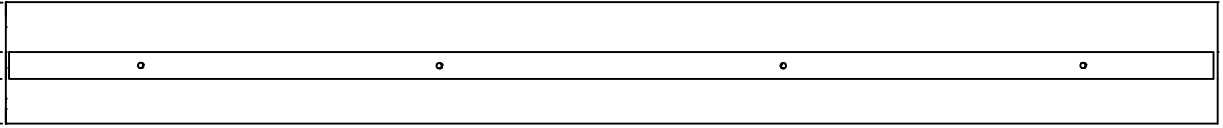


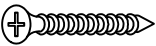


A	B
	
M6*110mm	M6*70mm(10PCS)

# SCHRITT 6 :

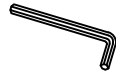

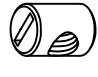

H	F
	
1PC	4PCS

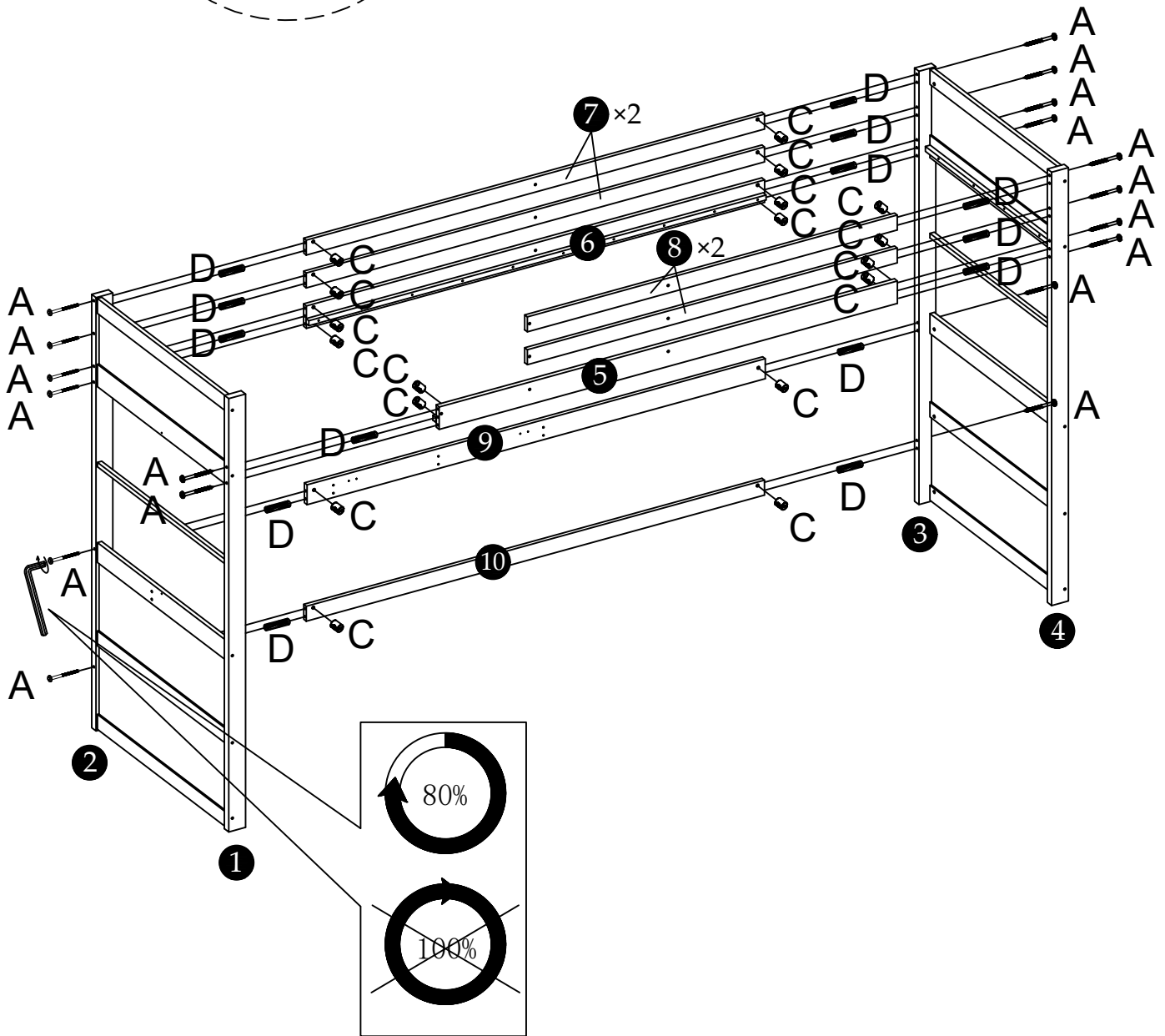
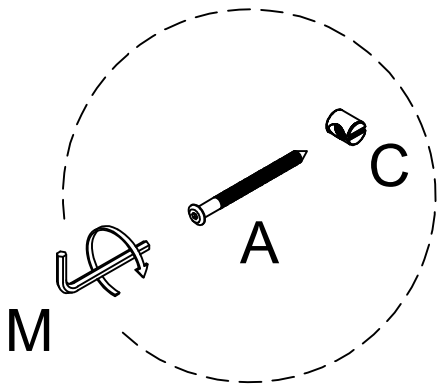
33mm 37mm





F	J	N
		
Φ4*30mm(4PCS)	Φ3*12mm	Φ3*16mm

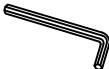
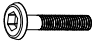

# SCHRITT 7 :

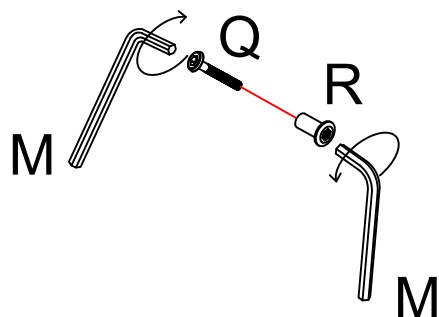
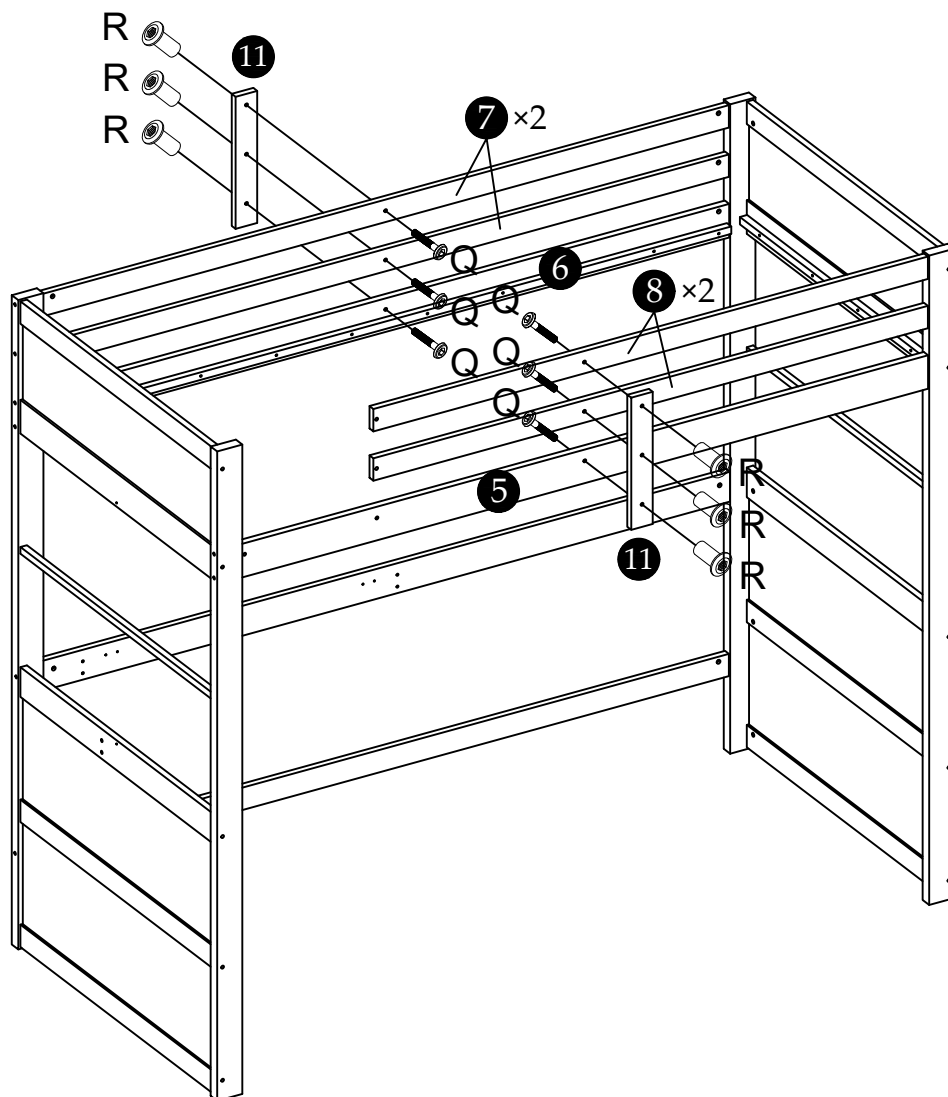
M	A	C	D
			
1PC	18PCS	18PCS	14PCS




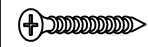
A		B	
	M6*100mm(18PCS)		M6*70mm

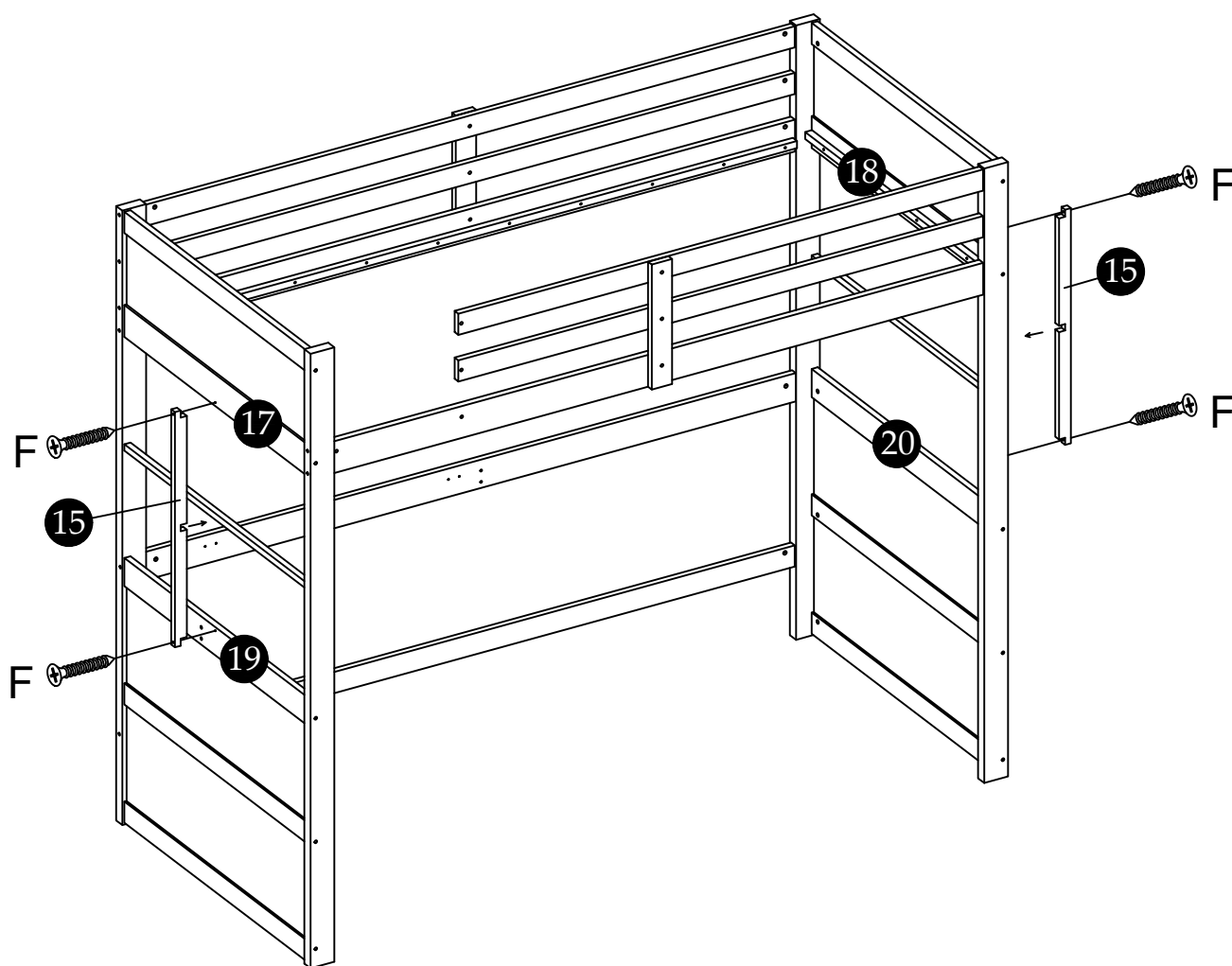
# SCHRITT 8 :



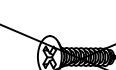
M	Q	R
		
2PCS	6PCS	6PCS





# SCHRITT 9 :

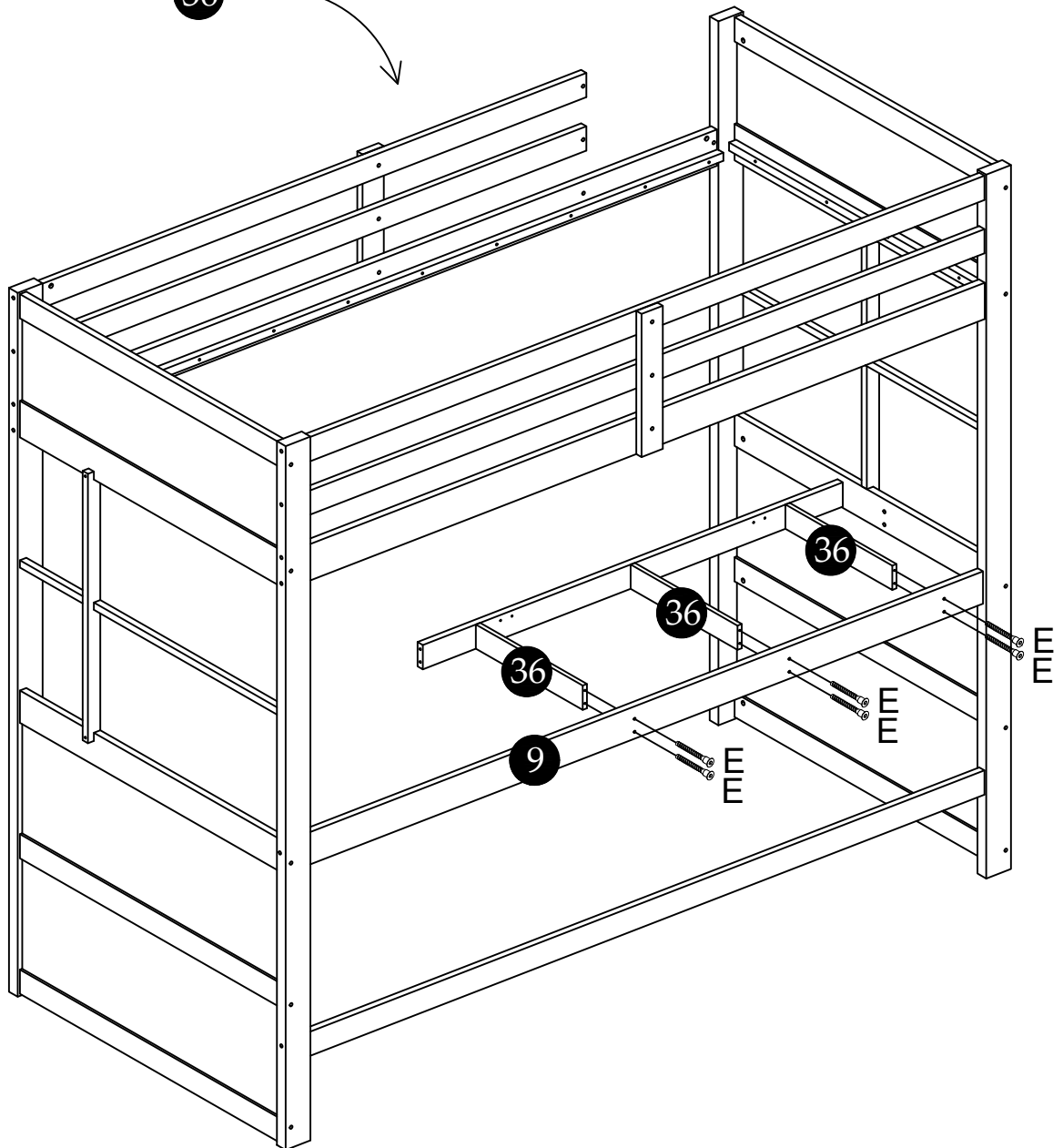
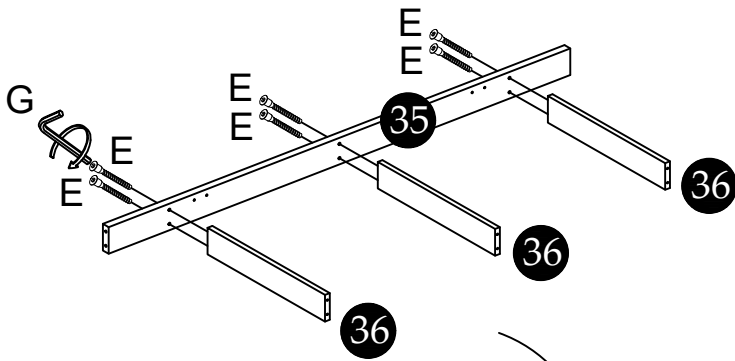
H	F
	
1PC	4PCS






F	J	N
		
Φ4*30mm(4PCS)	Φ3*12mm	Φ3*16mm

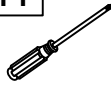


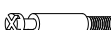





# SCHRITT 10 :

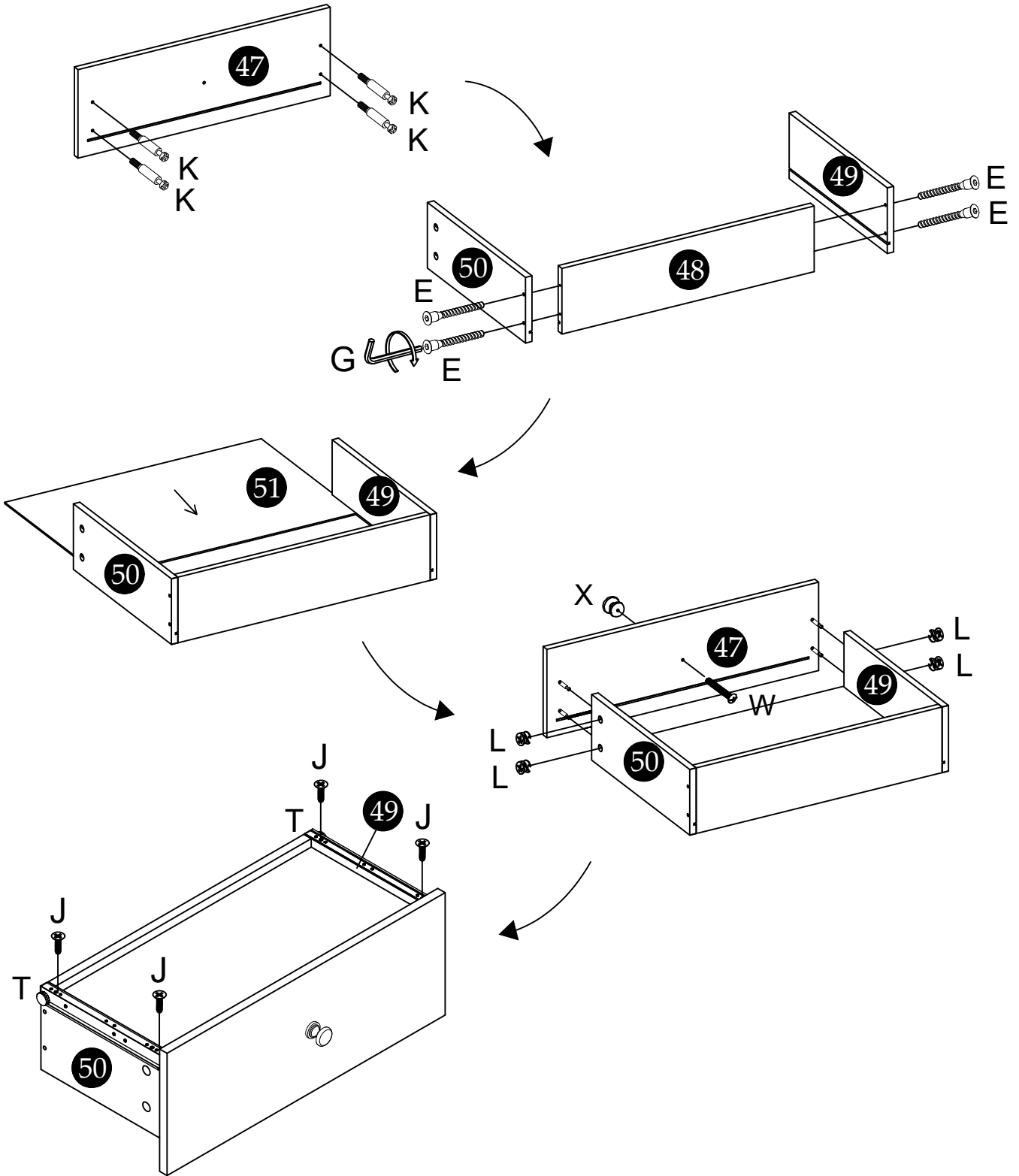
<b>E</b> 	<b>G</b> 
12PCS	1PC






<b>E</b>  $\Phi 5 \times 40\text{mm}$ (12PCS)	<del> <b>I</b>    <math>\Phi 7 \times 50\text{mm}</math> </del>	<del> <b>O</b>    <math>\Phi 7 \times 60\text{mm}</math> </del>
--	---	--

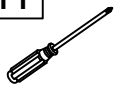








# SCHRITT 11 :

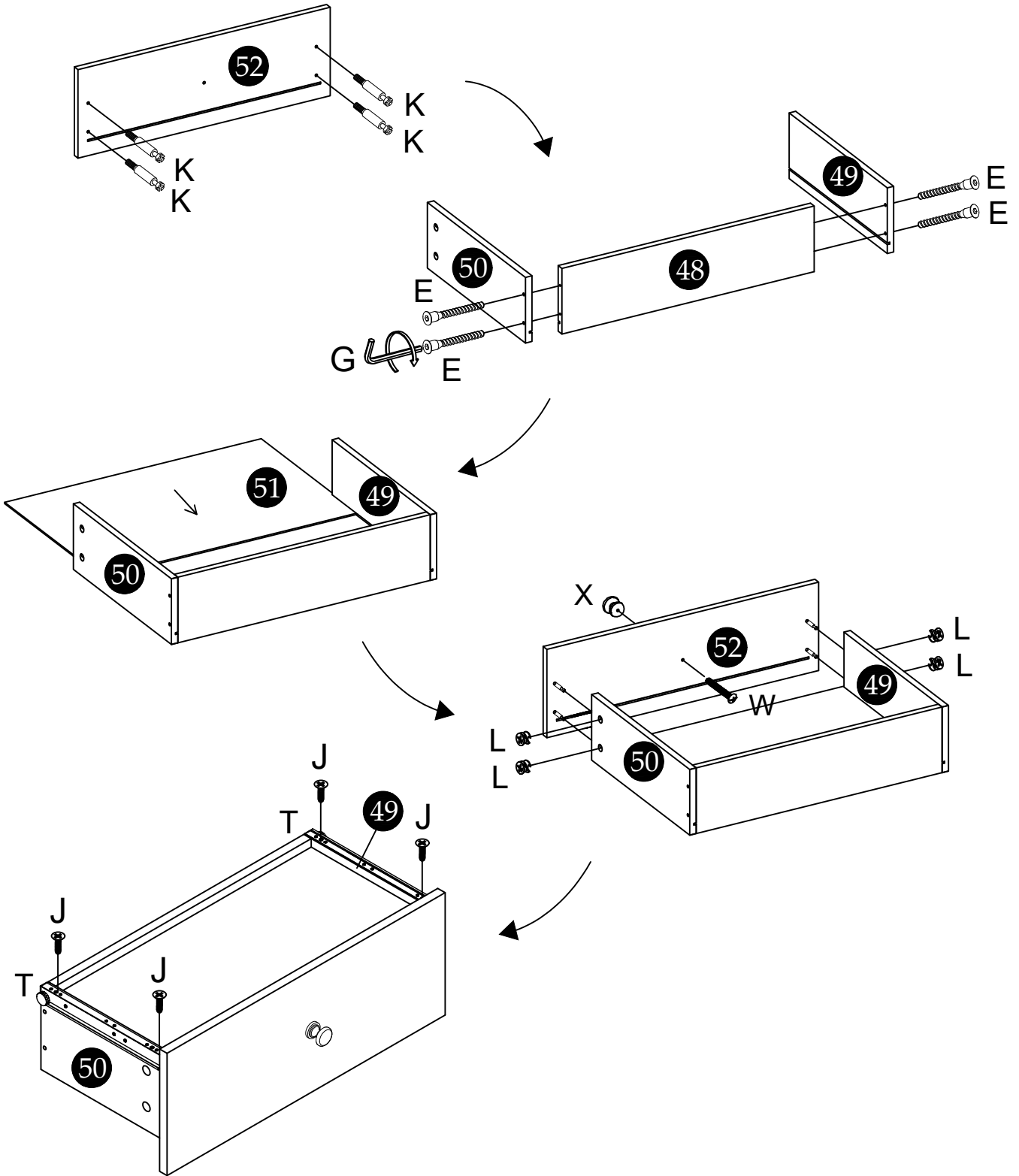
H	E	G	K	L	T	J
						
1PC	4PCS	1PC	4PCS	4PCS	2PCS	4PCS
					W	X
						
					1PC	1PC

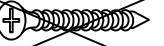




F	J	N
		
Φ4*30mm	Φ3*12mm(4PCS)	Φ3*16mm



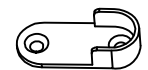
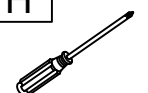
# SCHRITT 12 :

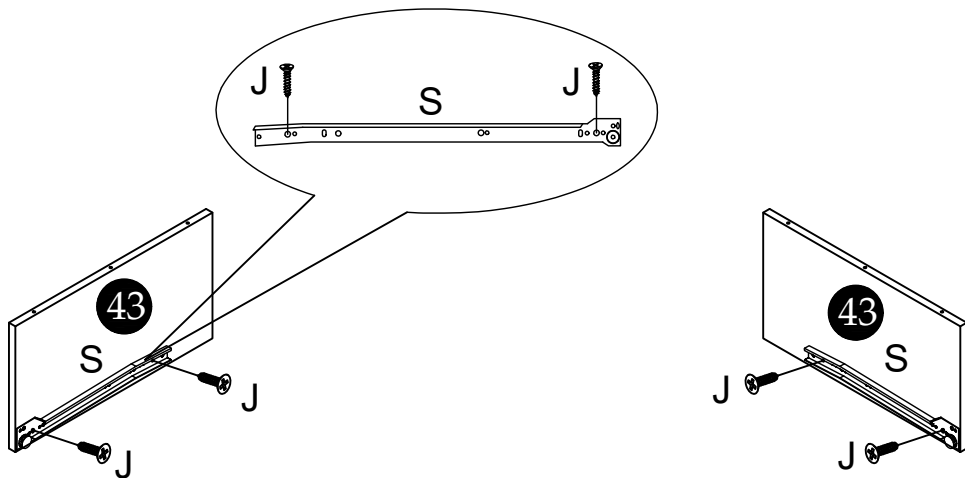
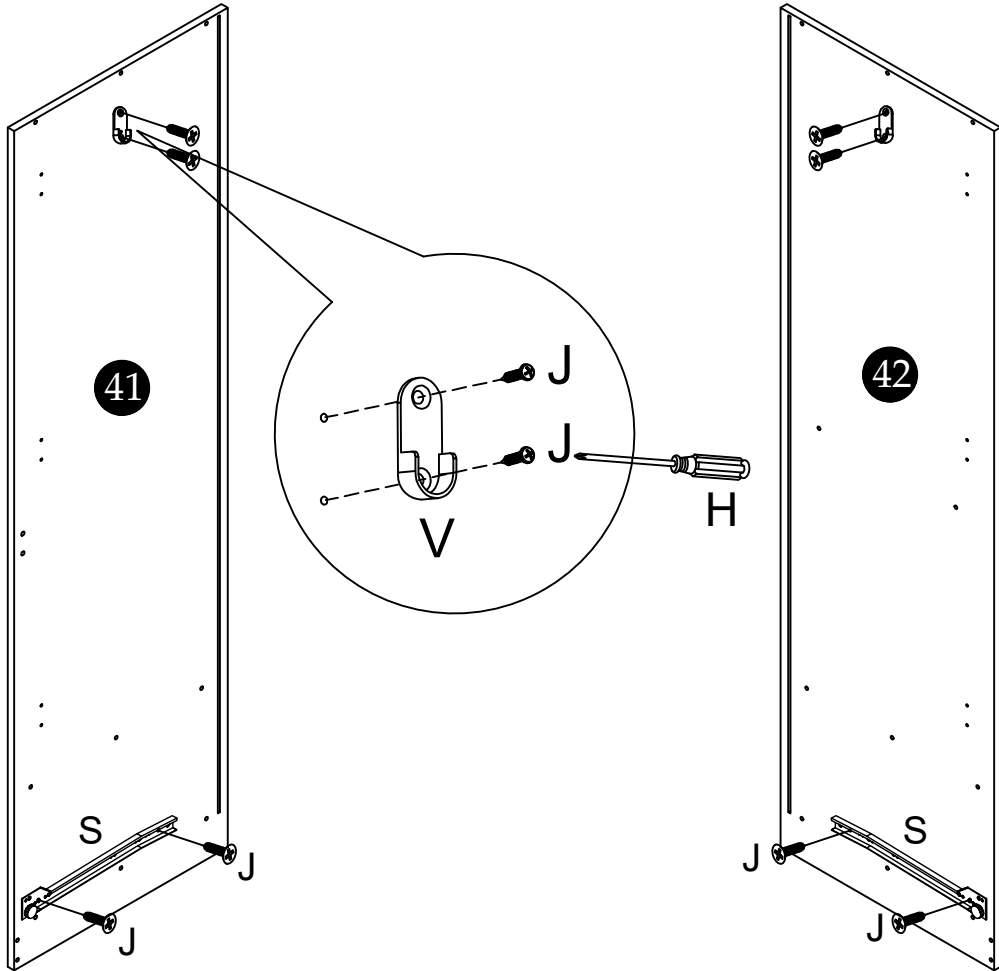
<b>H</b> 	<b>E</b> 	<b>G</b> 	<b>K</b> 	<b>L</b> 	<b>T</b> 	<b>J</b> 
1PC	4PCS	1PC	4PCS	4PCS	2PCS	4PCS
					<b>W</b> 	<b>X</b> 
					1PC	1PC

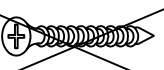




<b>F</b> 	<b>J</b> 	<b>N</b> 
$\Phi 4 \times 30\text{mm}$	$\Phi 3 \times 12\text{mm}$ (4PCS)	$\Phi 3 \times 16\text{mm}$



# SCHRITT 13 :

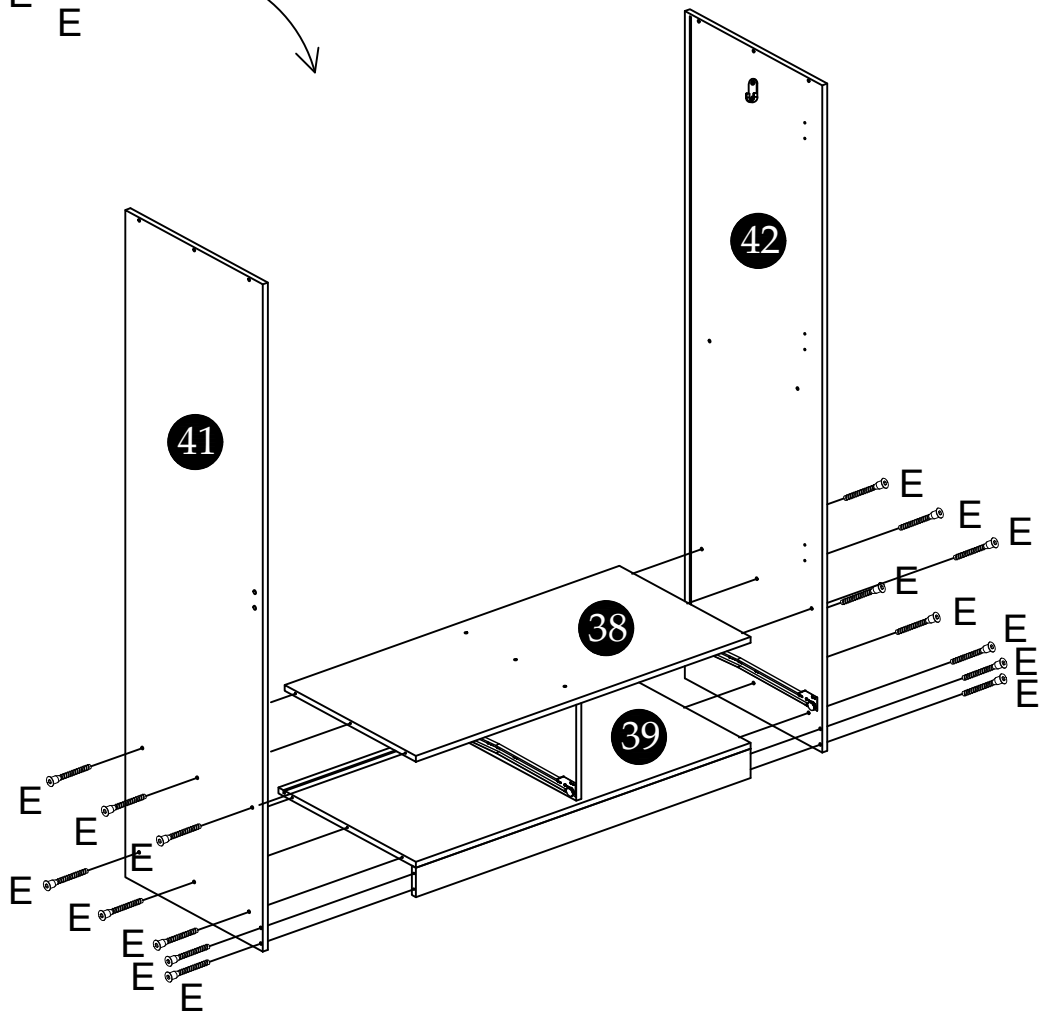
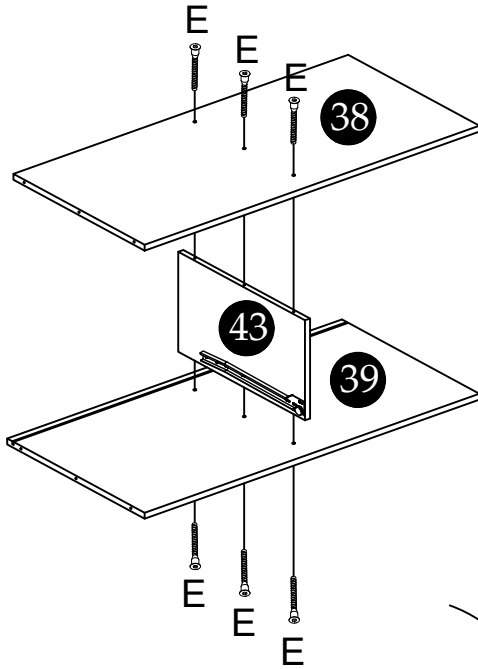
S	J	V	H
			
4PCS	12PCS	2PCS	1PC

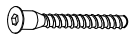




F	J	N
		
Φ4*30mm	Φ3*12mm(12PCS)	Φ3*16mm



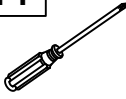



# SCHRITT 14 :

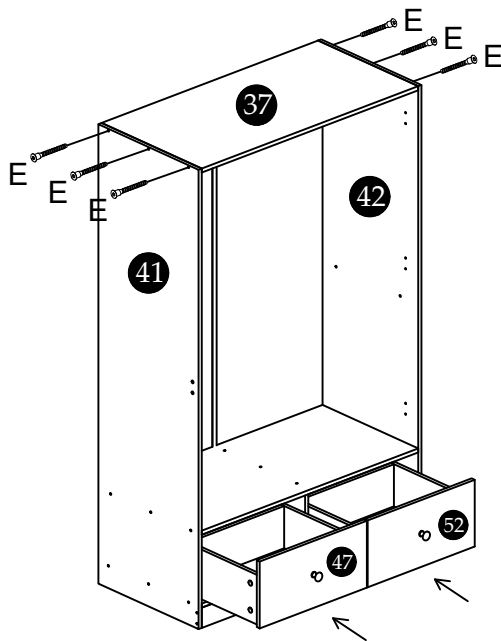
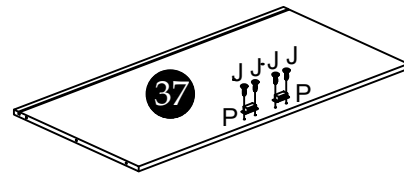
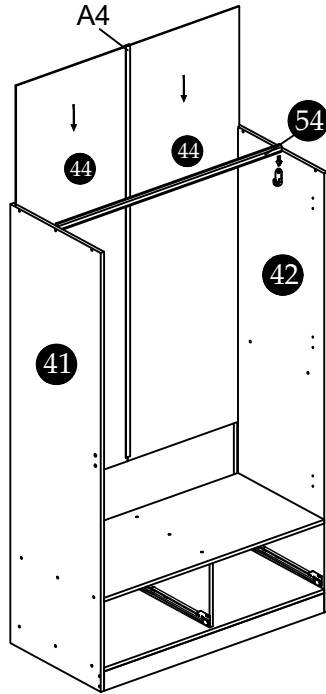
E	G
	
22PCS	1PC




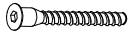




E	I	O
	<del></del>	<del></del>
Φ5*40mm(22PCS)	<del>Φ7*50mm</del>	<del>Φ7*60mm</del>



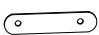



# SCHRITT 15 :

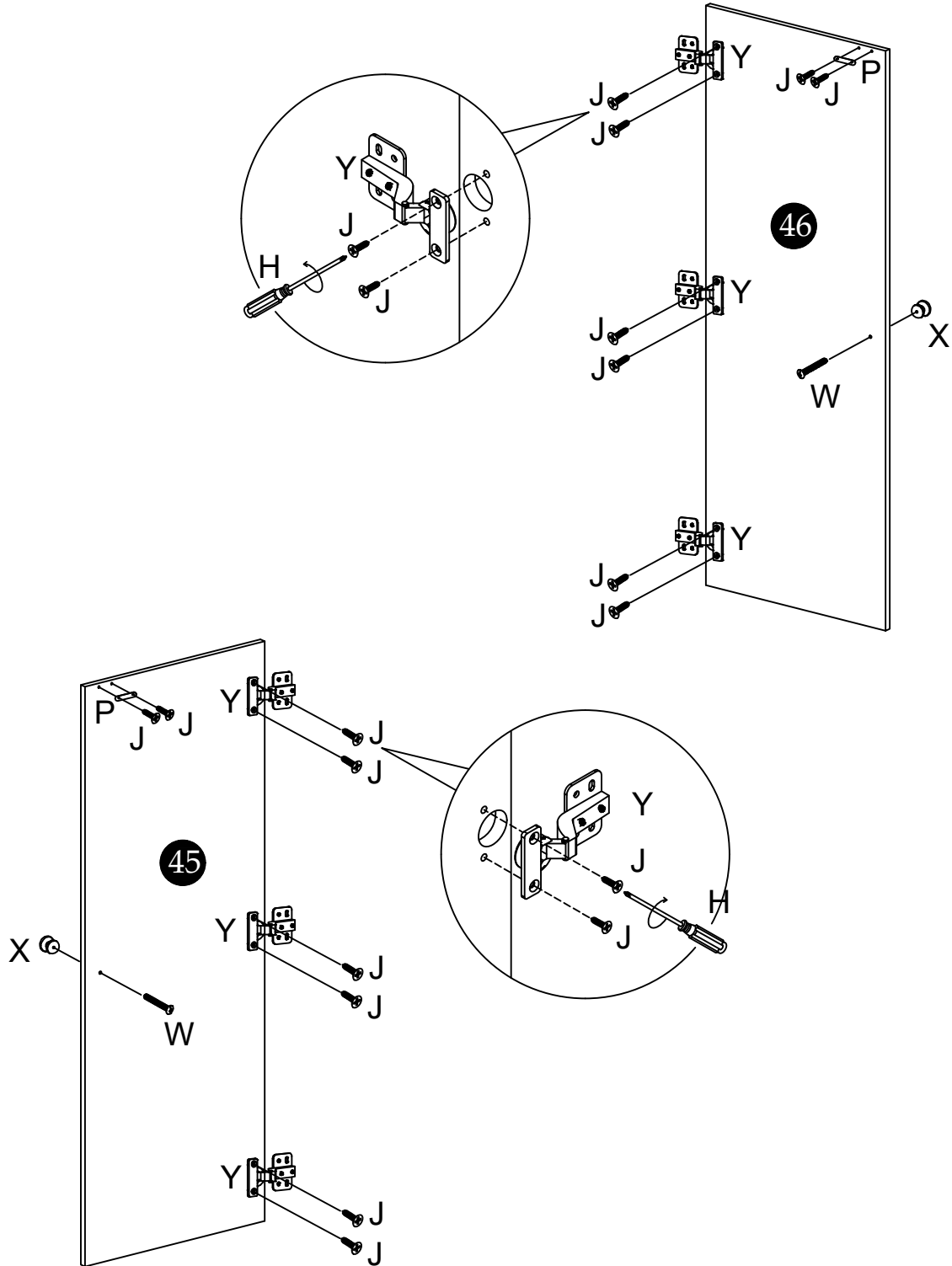
E	G	H	P	J	A4
					
6PCS	1PC	1PC	2PCS	4PCS	1PC






<del>F</del>	<del>J</del>	<del>N</del>
<del></del>	<del></del>	<del></del>
<del>Φ4*30mm</del>	<del>Φ3*12mm(4PCS)</del>	<del>Φ3*16mm</del>
<del>E</del>	<del>I</del>	<del>O</del>
<del></del>	<del></del>	<del></del>
<del>Φ5*40mm(6PCS)</del>	<del>Φ7*50mm</del>	<del>Φ7*60mm</del>



# SCHRITT 16 :

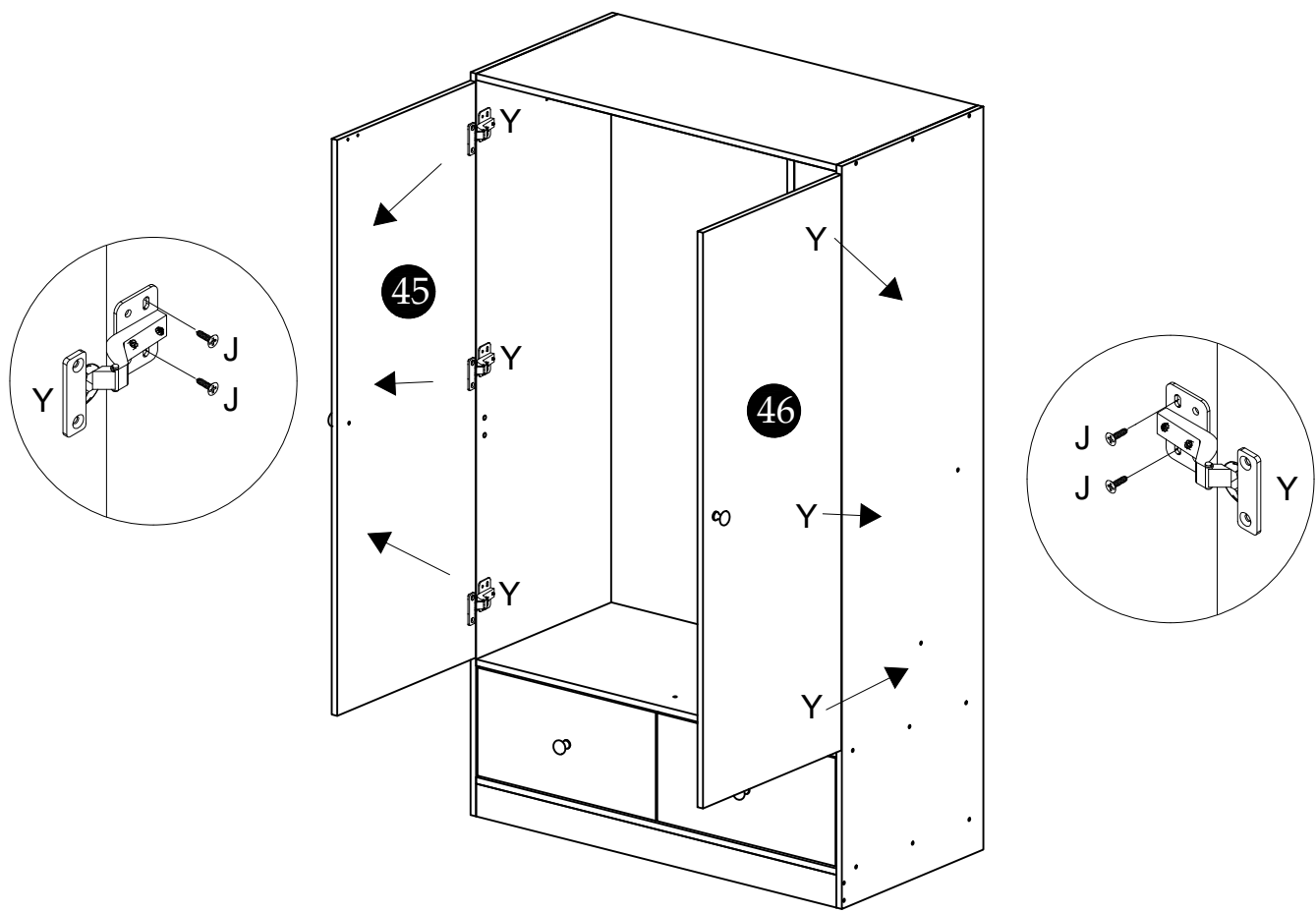
H	J	P	W	X	Y
					
1PC	16PCS	2PCS	2PCS	2PCS	6PCS






F	J	N
		
$\Phi 4*30\text{mm}$	$\Phi 3*12\text{mm}(16\text{PCS})$	$\Phi 3*16\text{mm}$



# SCHRITT 17 :

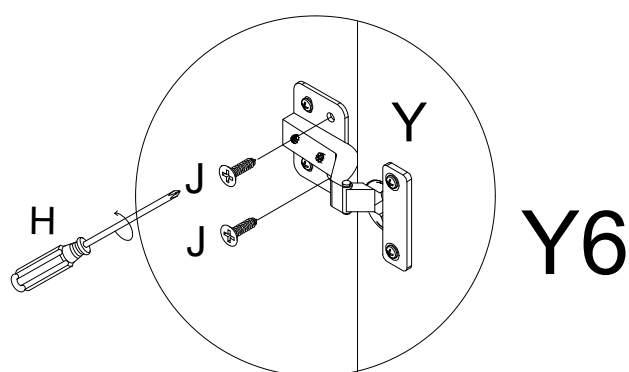
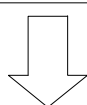
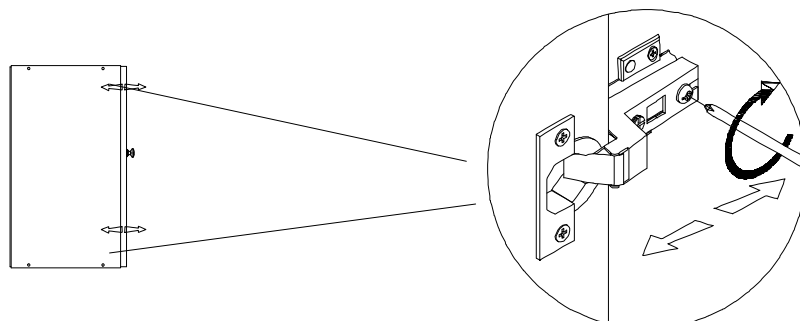
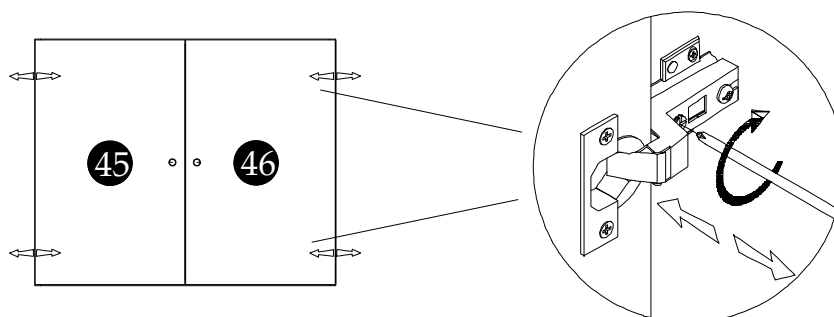
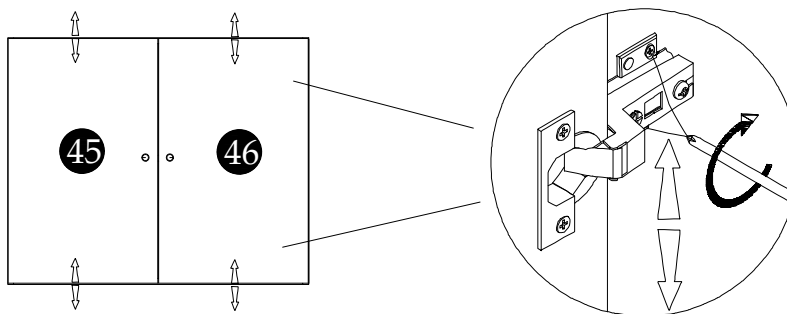
H	J
	
1PC	12PCS






F	J	N
		
$\Phi 4*30\text{mm}$	$\Phi 3*12\text{mm}(12\text{PCS})$	$\Phi 3*16\text{mm}$

# SCHRITT 18 :

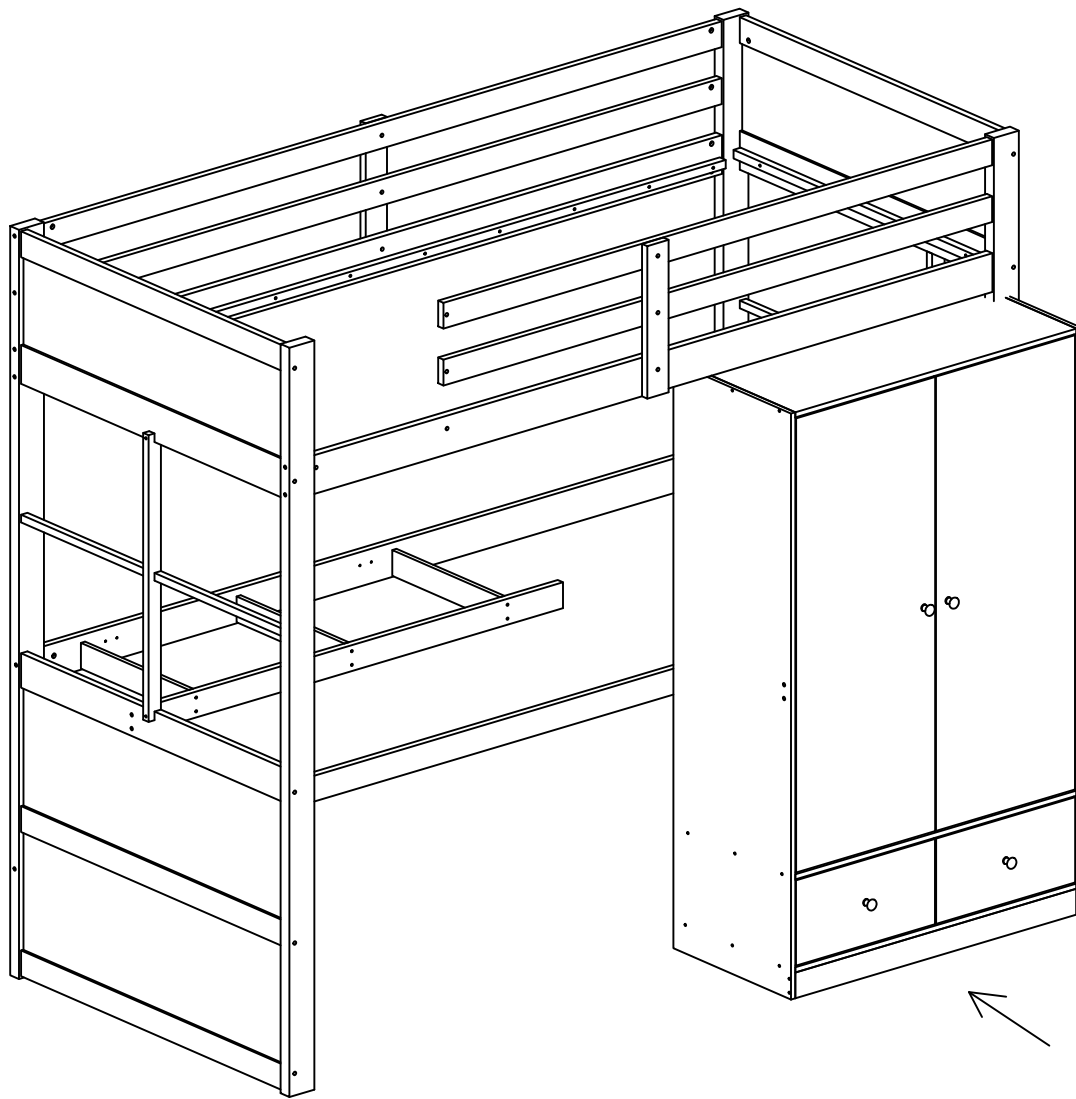
H	J
	
1PC	12PCS





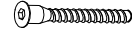
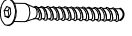

F	J	N
		
$\Phi 4*30\text{mm}$	$\Phi 3*12\text{mm}(12\text{PCS})$	$\Phi 3*16\text{mm}$

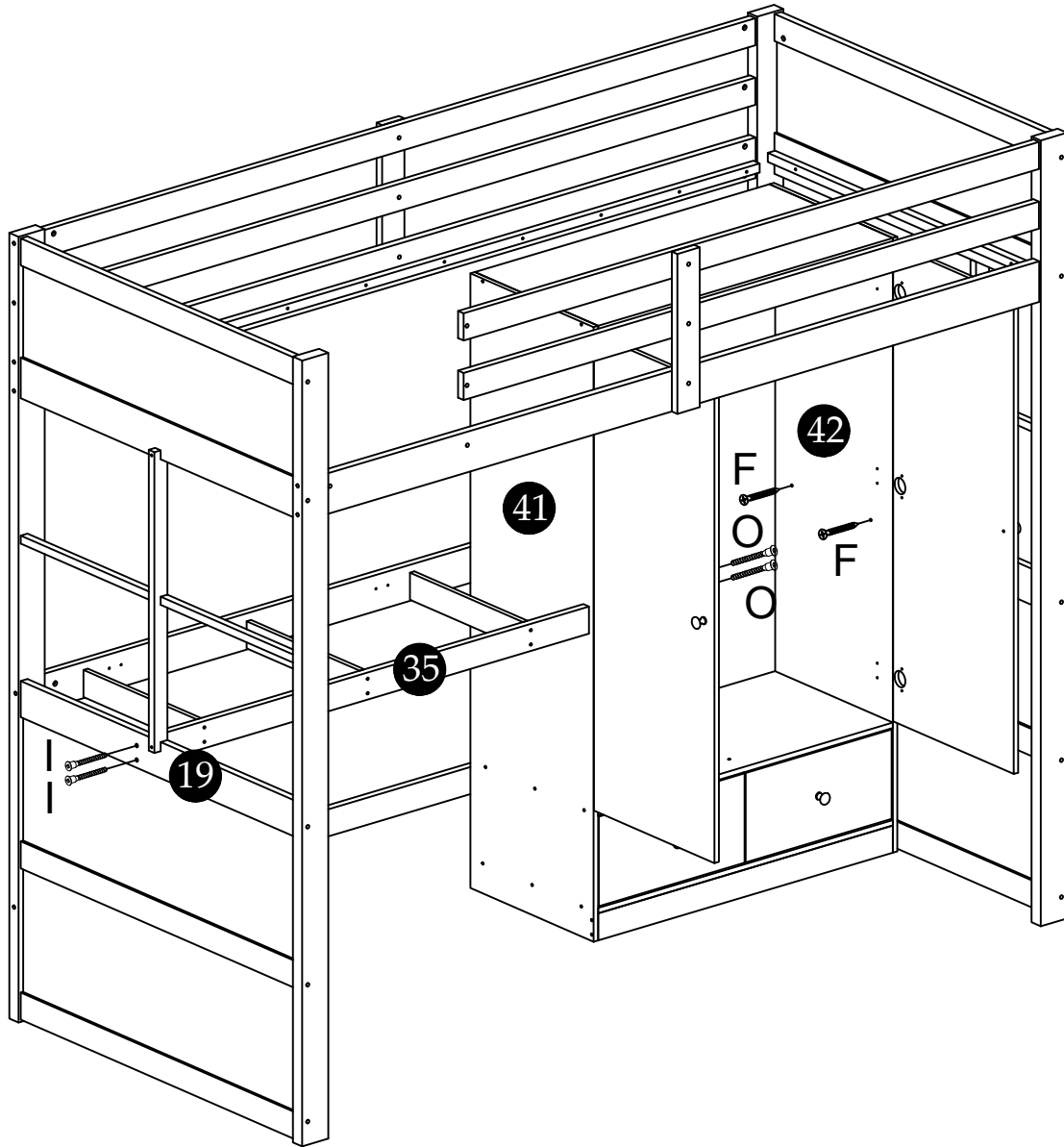
# SCHRITT 19 :







---






# SCHRITT 20 :

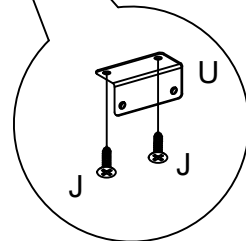
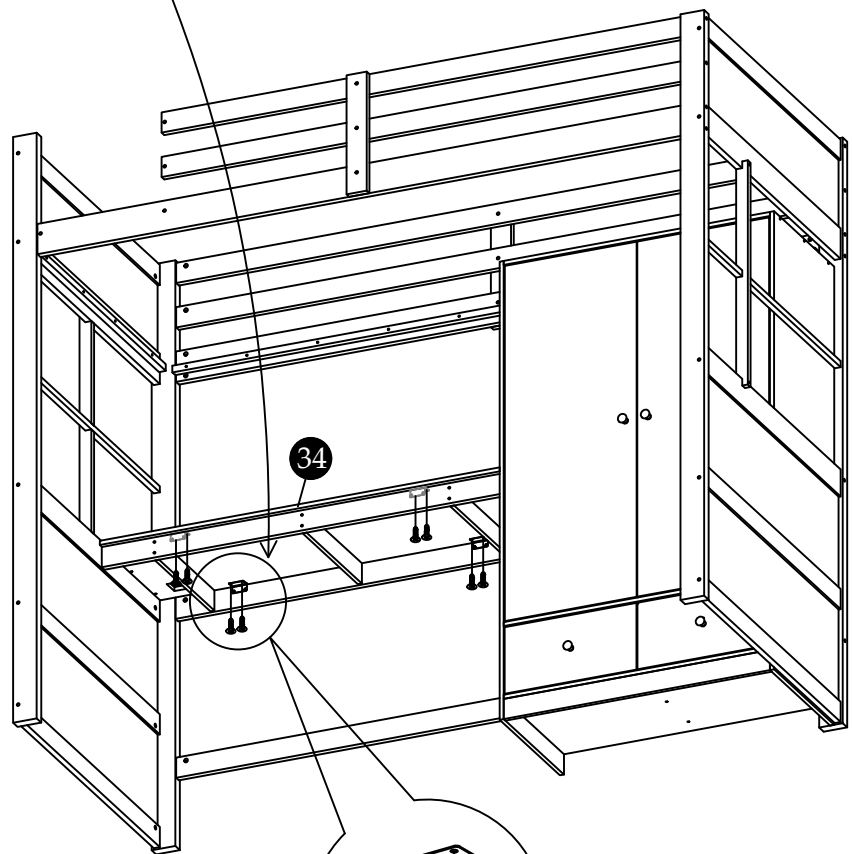
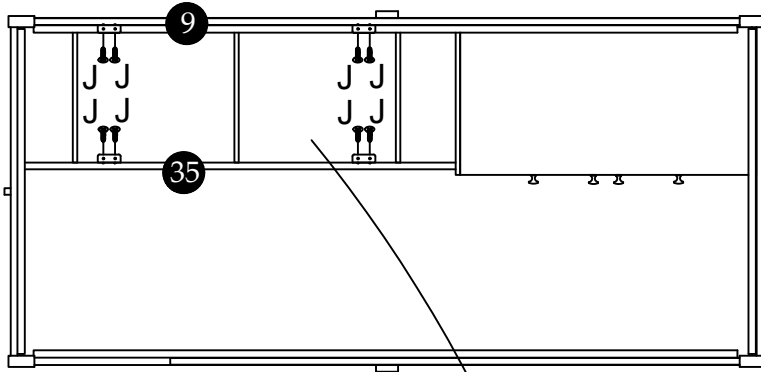
H	F	I	O	M
				
1PC	2PCS	2PCS	2PCS	1PC






F	J	N
		
Φ4*30mm(2PCS)	Φ3*12mm	Φ3*16mm
E	I	O
		
Φ5*40mm	Φ7*50mm(2PCS)	Φ7*60mm(2PCS)





# SCHRITT 21 :

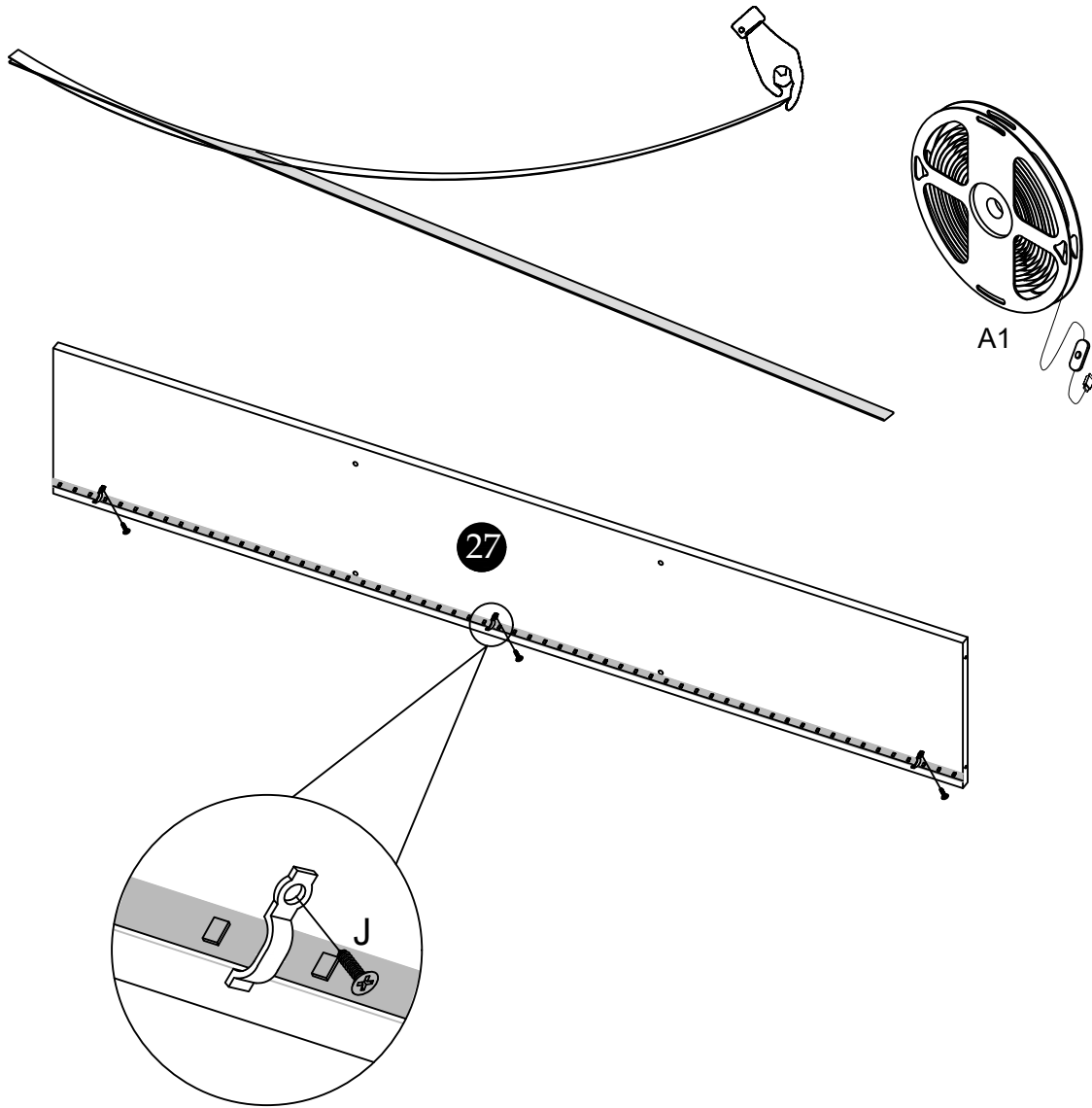
H	J	U
		
1PC	16PCS	4PCS






F	J	N
		
Φ4*30mm	Φ3*12mm(16PCS)	Φ3*16mm


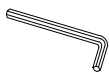
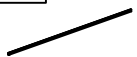
# SCHRITT 22 :

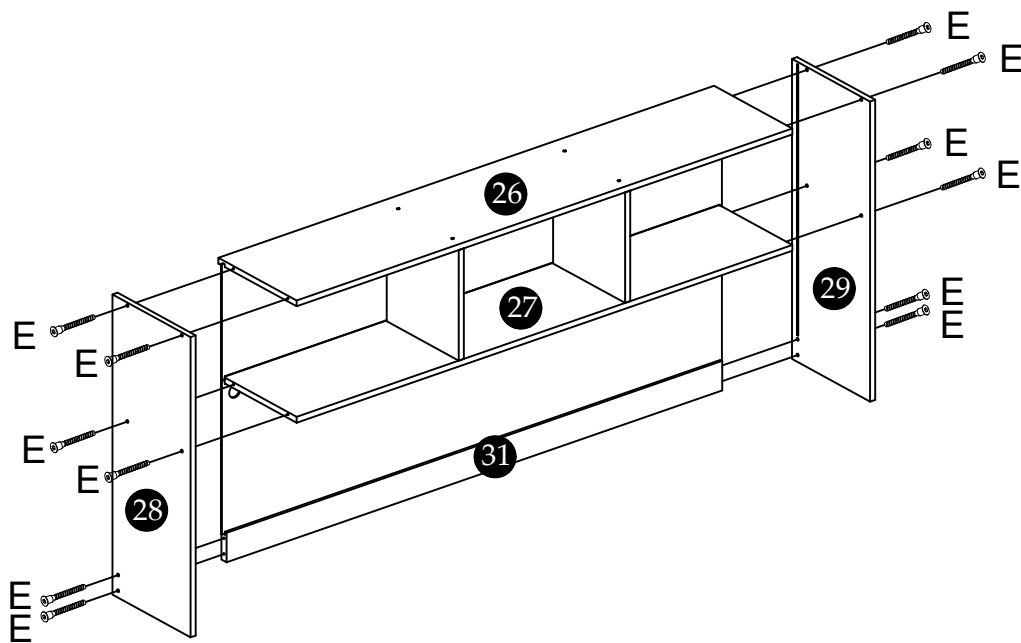
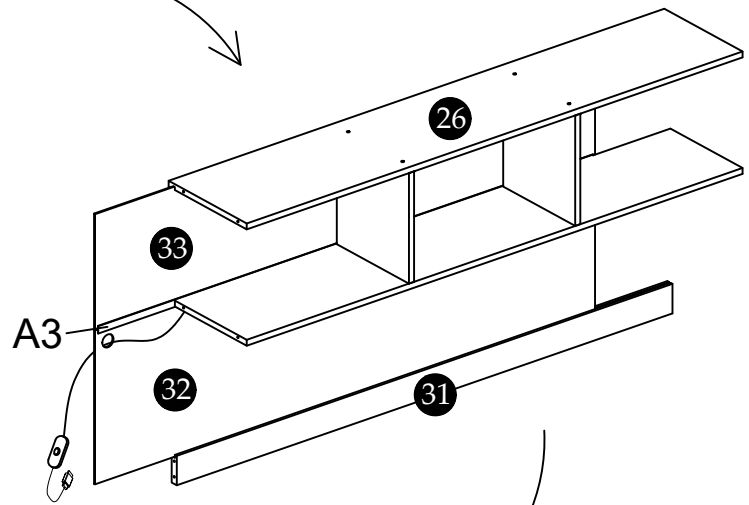
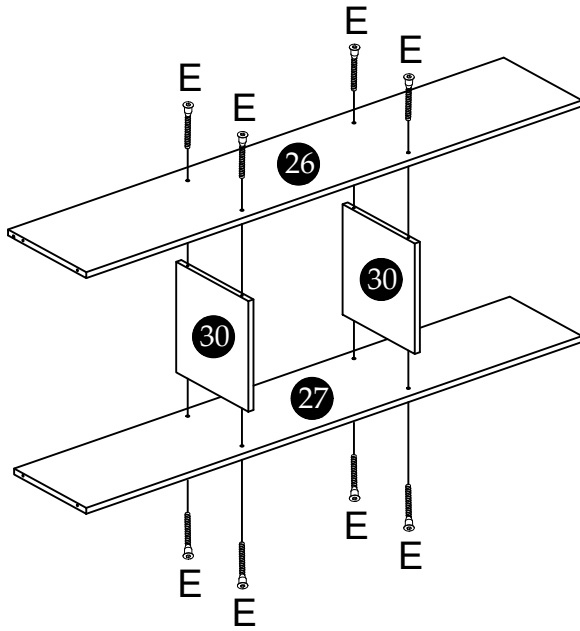
H	J	Z	A1
			
1PC	3PCS	3PCS	1PC



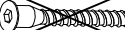


<del>F</del>	<del>J</del>	<del>N</del>
<del></del>	<del></del>	<del></del>
<del>Φ4*30mm</del>	<del>Φ3*12mm(3PCS)</del>	<del>Φ3*16mm</del>

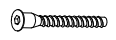
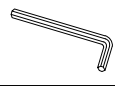
# SCHRITT 23 :

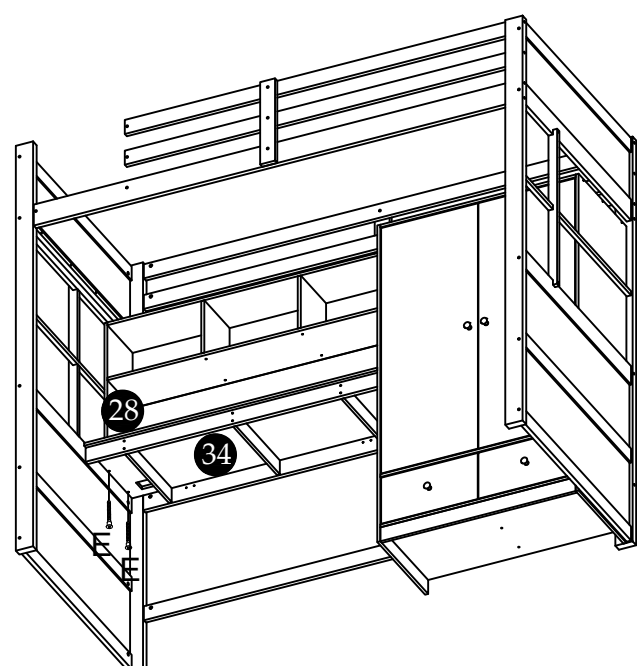
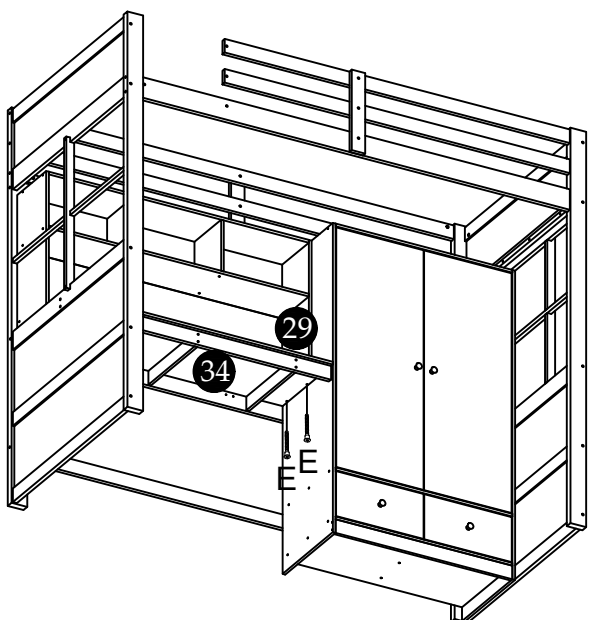
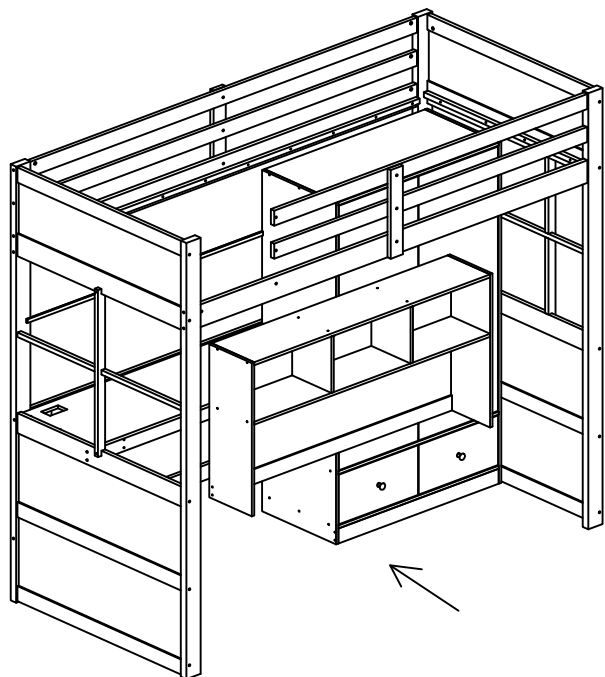
E	G	A3
		
20PCS	1PC	1PC






E	<del>I</del>	<del>O</del>
	<del></del>	<del></del>
Φ5*40mm(20PCS)	<del>Φ7*50mm</del>	<del>Φ7*60mm</del>



# SCHRITT 24 :

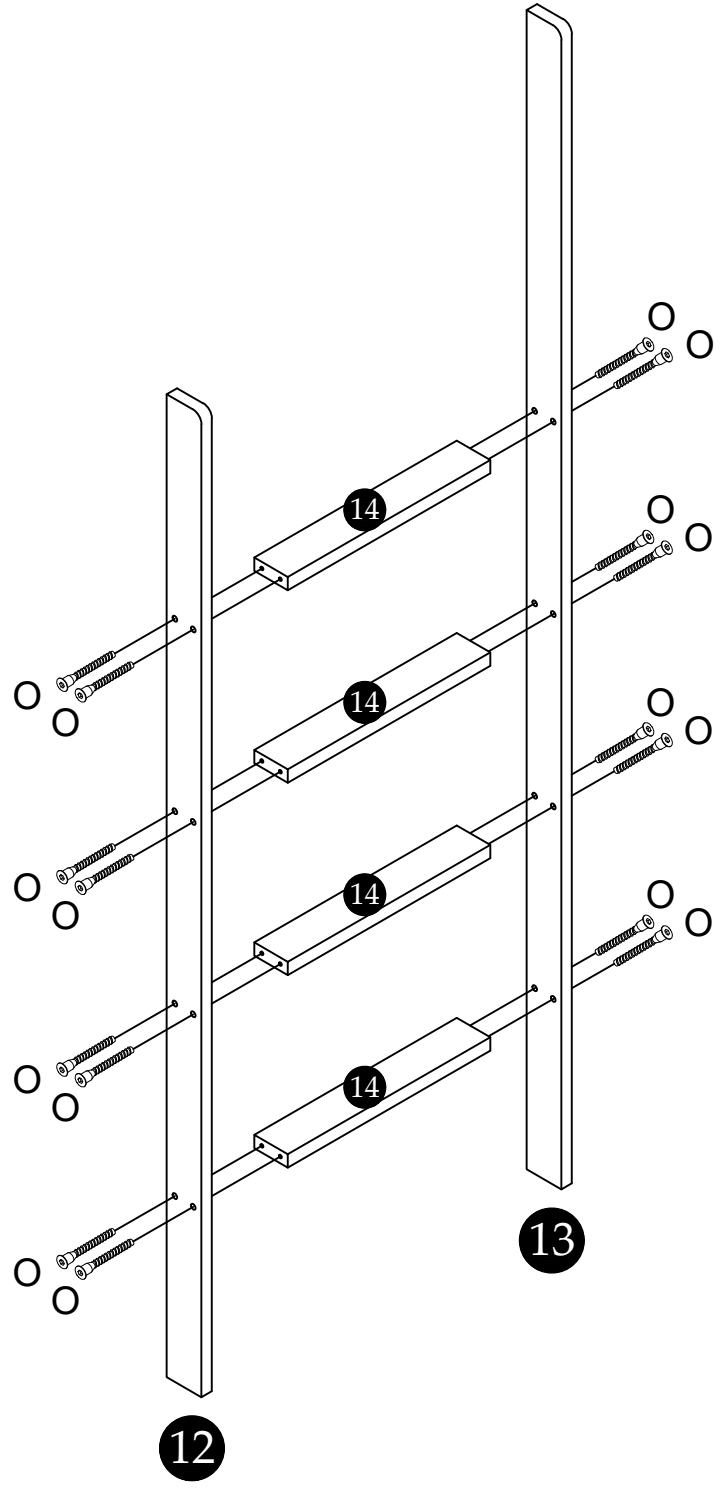
E	G
	
4PCS	1PC

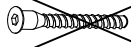
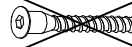
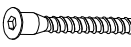


E	<del>I</del>	<del>O</del>
	<del></del>	<del></del>
Φ5*40mm(4PCS)	<del>Φ7*50mm</del>	<del>Φ7*60mm</del>





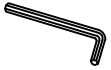
# SCHRITT 25 :

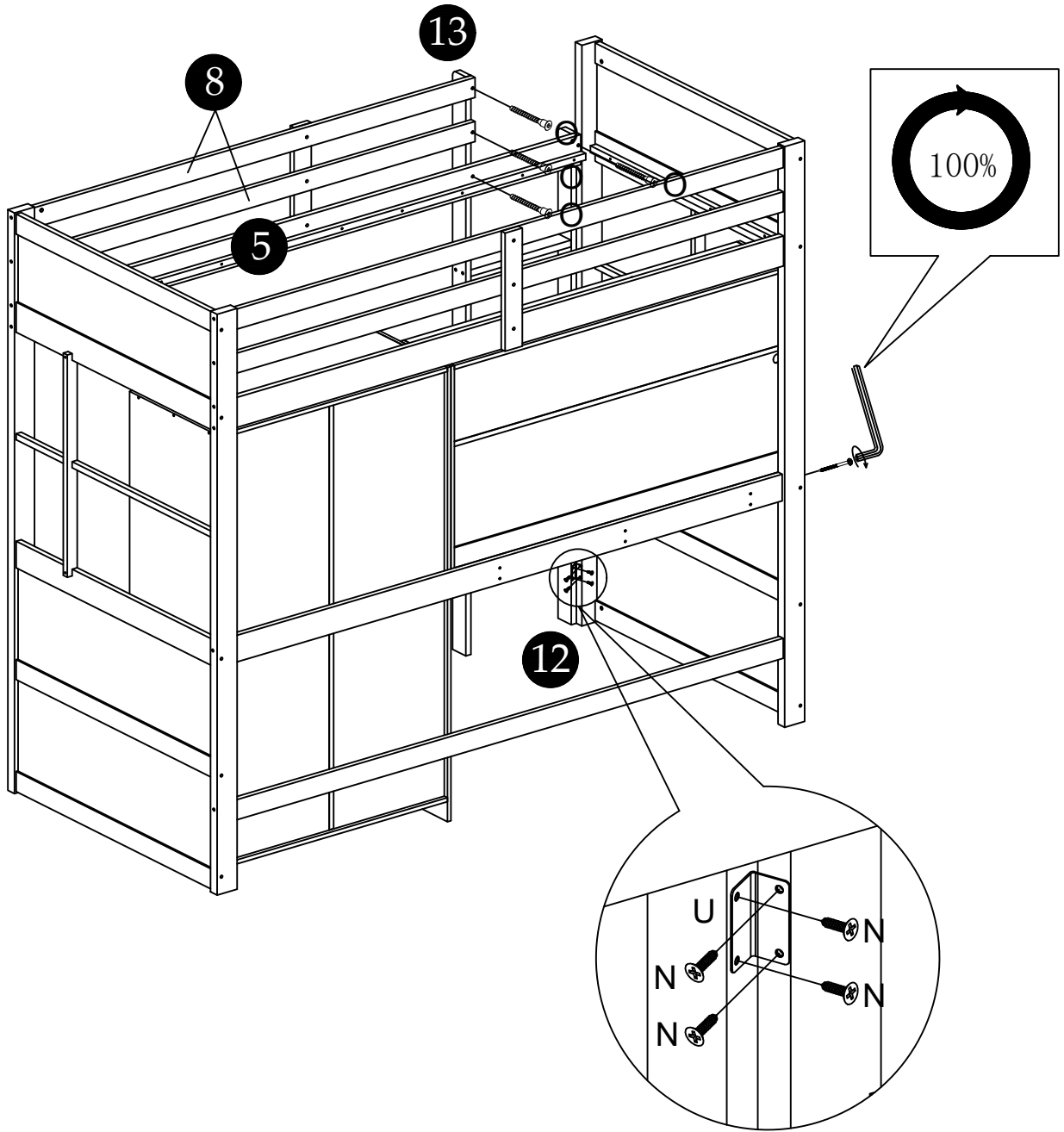
O	M
	
16PCS	1PC




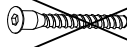




E	I	O
		
$\Phi 5 \times 40\text{mm}$	$\Phi 7 \times 50\text{mm}$	$\Phi 7 \times 60\text{mm} (16\text{PCS})$


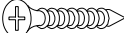


# SCHRITT 26 :

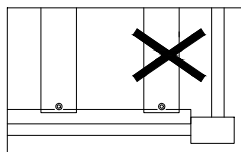
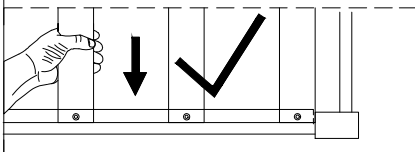
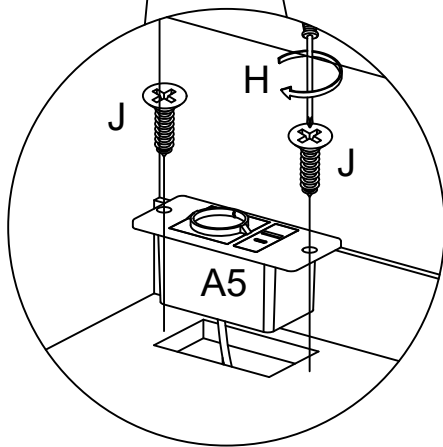
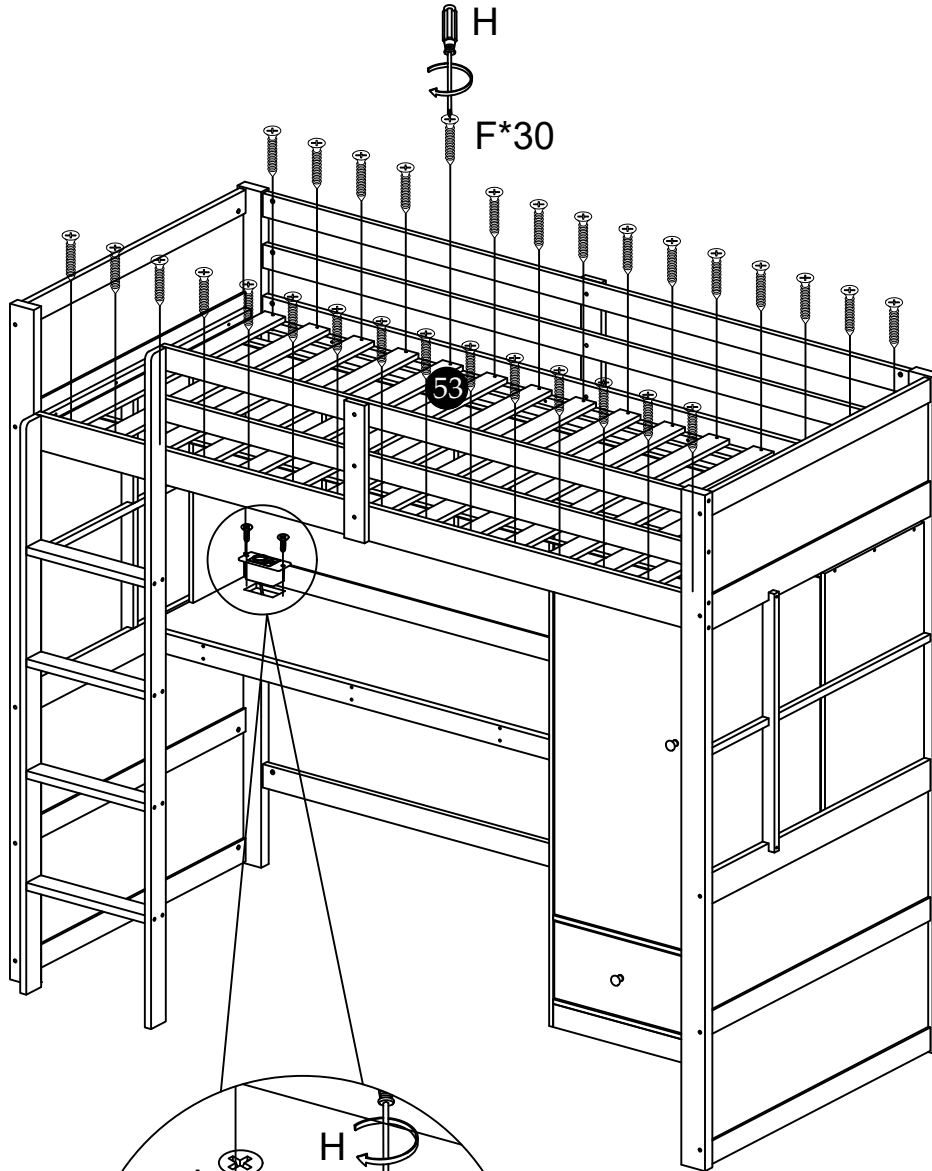
H	N	U	O	M
				
1PC	4PCS	1PC	4PCS	1PC


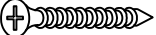



F	J	N
		
Φ4*30mm	Φ3*12mm	Φ3*16mm(4PCS)
E	I	O
		
Φ5*40mm	Φ7*50mm	Φ7*60mm(4PCS)




# SCHRITT 27 :

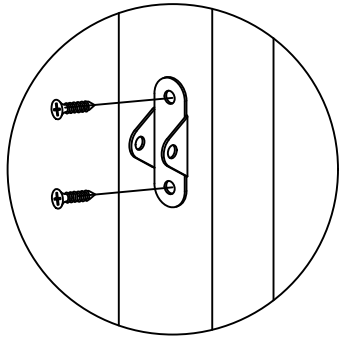
H	F	J	A5
			
1PC	30PCS	2PCS	1PC



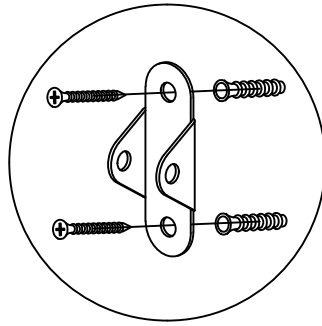
J		F	
Φ3*12mm(2PCS)		Φ4*30mm(30PCS)	
		N	
		Φ3*16mm	

# SCHRITT 28 :

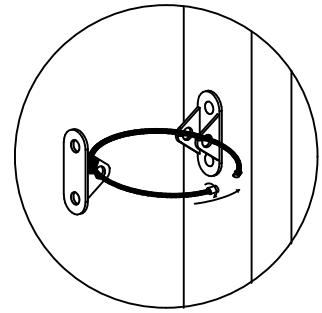
H	A2			
1PC	(2PCS)			



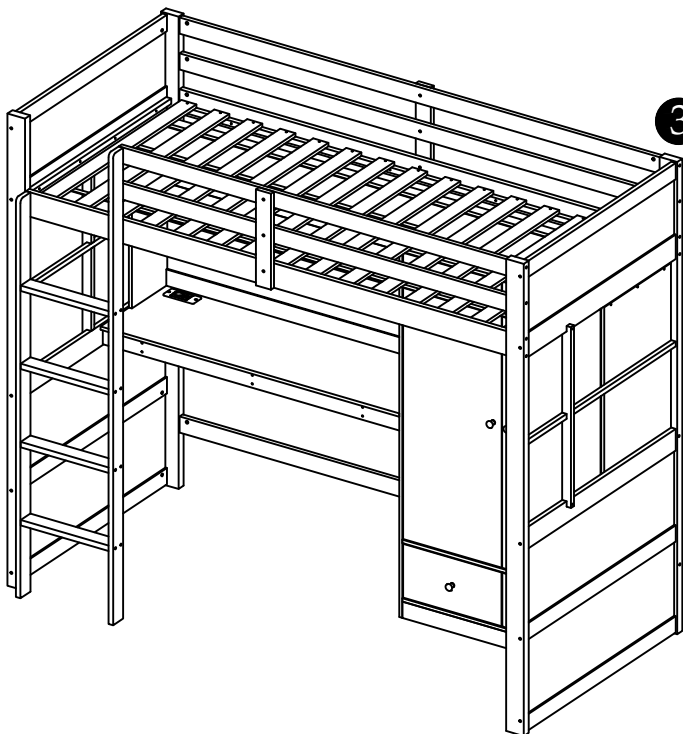
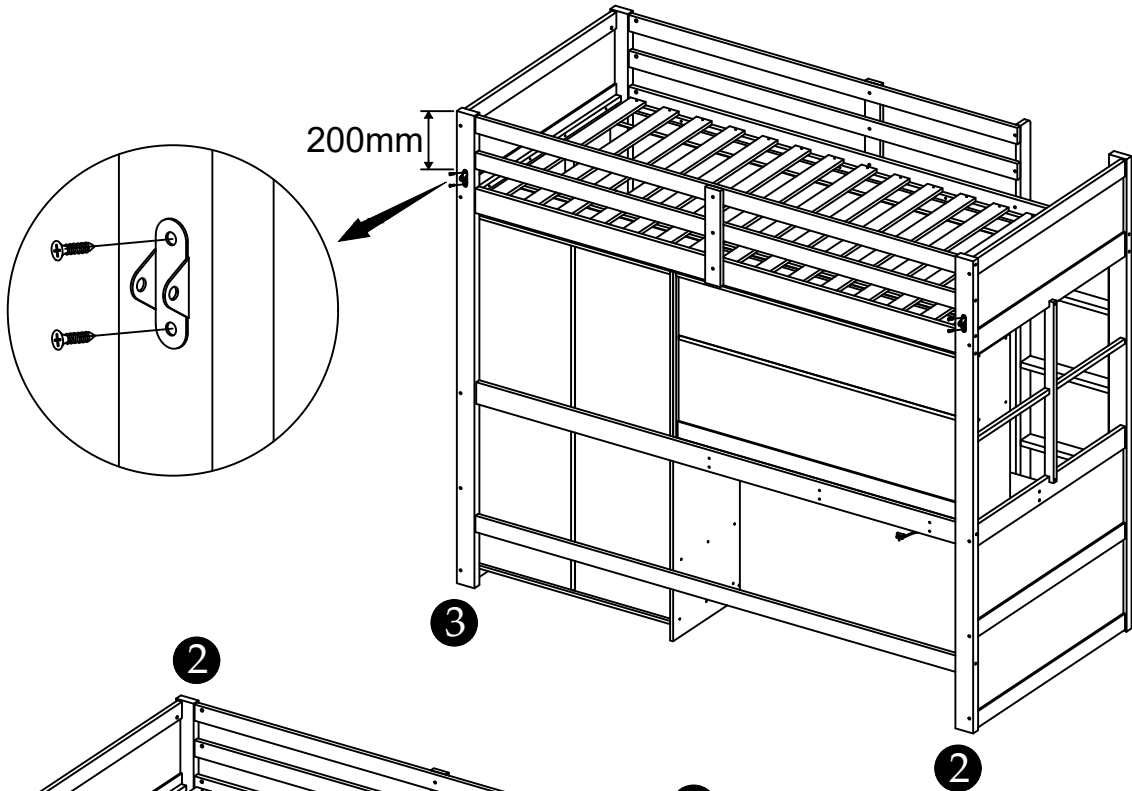
1



2



3



# Led Bluetooth Mini Controller Manual



1

## Download App Software

Please download "LotusLamp X" in the app store or scan the QR code below to download.




1. Download the "LotusLamp X" app with your phone by scanning the QR code on the user manual or searching for the Lotus Lamp app in the iPhone App Store or Google Play Store
2. After the APP are downloaded successfully, you need to turn on Bluetooth function on your phone firstly, then plug in the strip light, then open the APP, your APP will pair with the strip light automatically and you can control it.

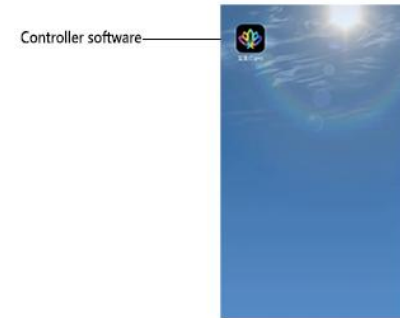
## Unable to Connect Troubleshooting

- (1) Check if the power supply of the light strip is normal.
- (2) Check if the Bluetooth is turn on.
- (3) Check if there are other mobile phone are connected, Bluetooth 4.0 only support connections one to many, dose not support many to many.
- (4) Check APP Bluetooth setting if the phone is connected to the device, if connect, exit the APP and reopen, the APP will go to connect automatically.
- (5) Normal operations and can not connect, please exit the APP and reopen.
- (6) Exit APP, restart mobile phone, power on the strip light, reopen the APP, then them will connect automatically.

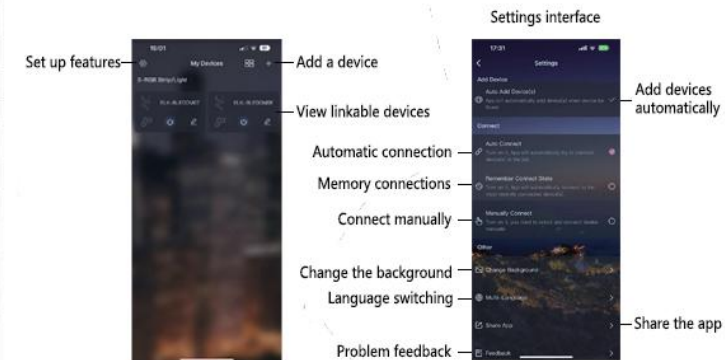
2

## Instructions

Scan the code or search to get the following APP, open the APP 



1. Open the control software to get the following interface



3

Clicking on the connected device will appear as shown in the dashboard image on the right.

Tap Connected devices



Displays the connection status



Pull the ring to switch colors

Color selection

Color addition

Brightness adjustment

Timing function

Power on and off

Scene selection

Static color

Vibration function

Mode selection

2. Use the color palette function when connecting devices.



- (1). Drag the ring to switch colors
- (2). Click on the RGB value to adjust the color
- (3). Tap Color to toggle
- (4). Click Pattern + and press (1) to perform color DIY  
(Long press DIY color to redo color DIY)
- (5). Drag the white point to adjust the brightness

4

3. Use the rhythm function when connecting the device.



(1) Device MIC: Sound rhythm is received through the device

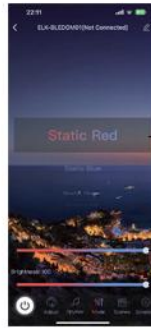
(Four rhythm modes can be selected under the receiving sound rhythm through the device)

(2) Phone MIC: Receive sound rhythm via your phone

(3) Music: By selecting a music groove

(4) Sensitivity: Drag the white point to adjust the receive responsiveness

4. Use the mode function when connecting the device.



Swipe / tap the screen to switch static colors or jump changes and other functions

Slide the white dot to adjust the flashing speed in the changing state

Slide the white dot to adjust the brightness

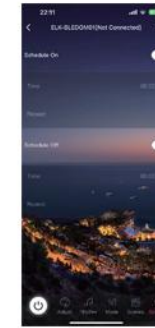
5

5. Use scene features when connecting devices.



The scene function intelligently adjusts the flickering effect according to the system.

6. Use the timing function when connecting the device.



Turn on the lights regularly

Set the auto-start time and date by clicking to select

Turn off the lights regularly

Set the automatic lights off time and date by clicking to select

The timing function can be used together in other modes.

6



This certificate is responsible for testing sample only.  
Please refer to this corresponding test report to get testing process and data.

# CERTIFICATE

## ATTESTATION Certificate of Compliance

Technical file of the company mentioned below has been inspected and audit has been completed successfully

The Low Voltage Directive 2014/35/EU has been taken as references for these processes.

Certificate's Holder : Shenzhen xu xing technology co., LTD  
 Address : Floor 3, building C, Huaze hi tech Industrial Park, Shiyan street, Bao'an District, Shenzhen  
 Manufacturer : Shenzhen xu xing technology co., LTD  
 Address : Floor 3, building C, Huaze hi tech Industrial Park, Shiyan street, Bao'an District, Shenzhen  
 Product Name : XX LED RGB STRIP  
 Product Model (S) : XX5050RGB-60D, 5V-5050RGB-30D, 5V-5050RGB-60D, 12V-5050RGB-60D, 12V-5050RGB-30D, DY05RGB122, DY05RGB140, DY05RGB88  
 Trade Mark : N/A  
 Related Directive : 2014/35/EU  
 Related Standards : EN IEC 60598-2-1:2021 used in conjunction with EN IEC 60598-1:2021 + AMD11:2022

Certificate Number : HK2509022741S  
 Report No. : HK2509022741-SR  
 Registration Date : Oct. 21, 2025

*Jason Zhu*  
  
 Certification Manager



The information of the certificate can be checked through <https://www.huak.com>. The CE mark which is shown on the certificate can only be used under the conditions that the products complete with all of the relevant Directives of CE Declaration of Conformity. The Manufacturer should be responsible for the internal production control so that the products complied with the essential requirements of the above mentioned Directive(s). Certificate holder must notify all changes to the original certification laboratory of HUAKE.

Shenzhen HUAKE Testing Technology Co., Ltd.

Address: 1-2/F, B2 Building, Junfeng Zhongcheng Zhizao Innovation Park, Heping Community, Fuhai Street, Bao'an District, Shenzhen, China  
Tel.: +86-0755-2302 9901      E-mail: info@huak.com      Website: <https://www.huak.com>



This certificate is responsible for testing sample only.  
Please refer to this corresponding test report to get testing process and data.

# CERTIFICATE

## ATTESTATION Certificate of Compliance

Technical file of the company mentioned below has been inspected and audit has been completed successfully

The RED Directive 2014/53/EU has been taken as references for these processes.

Certificate's Holder : Shenzhen xu xing technology co., LTD  
 Address : Floor 3, building C, Huaze hi tech Industrial Park, Shiyao street, Bao'an District, Shenzhen  
 Manufacturer : Shenzhen xu xing technology co., LTD  
 Address : Floor 3, building C, Huaze hi tech Industrial Park, Shiyao street, Bao'an District, Shenzhen  
 Product Name : XX LED RGB STRIP  
 Product Model (S) : XX5050RGB-60D, 5V-5050RGB-30D, 5V-5050RGB-60D, 12V-5050RGB-60D, 12V-5050RGB-30D, DY05RGB122, DY05RGB140, DY05RGB88  
 Trade Mark : N/A  
 Related Directive : 2014/53/EU  
 Article 3.1a) : EN IEC 62368-1:2024 + A11:2024  
 EN 62479:2010  
 EN 50663:2017  
 Related Standards : Article 3.1b) : ETSI EN 301 489-1 V2.2.3 (2019-11)  
 ETSI EN 301 489-3 V2.3.2 (2023-01)  
 EN IEC 61000-3-2:2019 + A1:2021 + A2:2024  
 EN 61000-3-3:2013 + A1:2019 + A2:2021  
 Article 3.2) : ETSI EN 300 220-1 V3.1.1 (2017-02)  
 ETSI EN 300 220-2 V3.3.1 (2025-03)  
 Certificate Number : HK2509024992E  
 Report No. : HK2509024992-1SR/-2EH/-1ER/-2ER  
 Registration Date : Oct. 21, 2025

*Jason*



Certification Manager



The information of the certificate can be checked through <https://www.huak.com>. The CE mark which is shown on the certificate can only be used under the conditions that the products complete with all of the relevant Directives of CE Declaration of Conformity. The Manufacturer should be responsible for the internal production control so that the products complied with the essential requirements of the above mentioned Directive(s). Certificate holder must notify all changes to the original certification laboratory of HUAKE.

Shenzhen HUAKE Testing Technology Co., Ltd.

Address: 1-2/F, B2 Building, Junfeng Zhongcheng Zhizao Innovation Park, Heping Community, Fuhai Street, Bao'an District, Shenzhen, China  
Tel.: +86-0755-2302 9901 E-mail: info@huak.com Website: <https://www.huak.com>




Shenzhen POCE Technology Co.,Ltd.

H Building, Hongfa Science and Technology Park,  
Tangtou, Shiyan, Bao'an District, Shenzhen, China

## CERTIFICATE OF CONFORMITY

**Certificate No** : POCE220829292TCE  
**Applicant** : Shenzhen Xuxing Technology Co.,Ltd  
**Address** : Floor 3, Building C, Huaze Hi-Tech Industrial Park, No.108 Zhushi Road, Shiyan Street, Bao'an District, Shenzhen  
**Manufacturer** : Shenzhen Xuxing Technology Co.,Ltd  
**Address** : Floor 3, Building C, Huaze Hi-Tech Industrial Park, No.108 Zhushi Road, Shiyan Street, Bao'an District, Shenzhen  
**Product** : Led lights bring

**Trade Name** : 

**Model(s)** : XX5050-RGB-60D, XX5050-RGB-30D, XX5050-RGB-72D, XX5050-RGB-96D, XX5050-RGB-120D, CLB1-2835-1, CLB1-2835-0, XX2835-W/Y-120D, XX2835-W/Y-60D, XX2835-W/Y-240D, XX2835-W/Y-238D, XX2835-W/Y-168D, XX2835-W/Y-224D, XX2835-W/Y-118D, XX2835-W/Y-162D, XX2835-W/Y-124D, XX2835-W/Y-170D, XX2835-60D, XX2835-120D, XX2835-150D, XX2835-180D

**Test Report No** : POCE220829292TRE  
**Test Standards** : EN IEC 55015:2019/A11:2020  
EN 61547:2009  
EN IEC 61000-3-2:2019/A1:2021  
EN 61000-3-3:2013/A2:2019

The EUT described above has been tested by us with the listed standards and found in compliance with the council EMC Directive 2014/30/EU. It is possible to use CE marking to demonstrate the compliance with this EMC Directive.



  
For Chief Executive / Tom Chen  
Date: Sep. 02, 2022  


This certificate of conformity is based on a single evaluation of the submitted sample(s) of the above mentioned product. It does not imply an assessment of the whole production and other relevant directives have to be observed.



扫一扫关注




扫码查证书



Shenzhen POCE Technology Co.,Ltd.

H Building, Hongfa Science and Technology Park,  
Tangtou, Shiyao, Bao'an District, Shenzhen, China

## CERTIFICATE OF CONFORMITY

**Certificate No.** : POCE220829293QCR  
**Applicant** : Shenzhen Xuxing Technology Co., Ltd  
**Address** : Floor 3, Building C, Huaze Hi-Tech Industrial Park, No. 108  
Zhushi Road, Shiyao Street, Bao'an District, Shenzhen  
**Manufacturer** : Shenzhen Xuxing Technology Co., Ltd  
**Address** : Floor 3, Building C, Huaze Hi-Tech Industrial Park, No. 108  
Zhushi Road, Shiyao Street, Bao'an District, Shenzhen  
**Product** : Led lights bring  
**Trade Name** :   
**Model(s)** : XX5050-RGB-60D, XX5050-RGB-30D, XX5050-RGB-72D,  
XX5050-RGB-96D, XX5050-RGB-120D, CLB1-2835-1,  
CLB1-2835-0, XX2835-W/Y-120D, XX2835-W/Y-60D,  
XX2835-W/Y-240D, XX2835-W/Y-238D, XX2835-W/Y-168D,  
XX2835-W/Y-224D, XX2835-W/Y-118D, XX2835-W/Y-162D,  
XX2835-W/Y-124D, XX2835-W/Y-170D, XX2835-60D,  
XX2835-120D, XX2835-150D, XX2835-180D  
**Test Report No.** : POCE220829293QRR  
**Test Standards** : IEC 62321-3-1:2013; IEC 62321-4:2013+A1:2017;  
IEC 62321-5:2013; IEC 62321-6:2015; IEC 62321-7-1:2015;  
IEC 62321-7-2:2017; IEC 62321-8:2017

The EUT described above has been tested by us with the listed standards and found in compliance with the council **RoHS Directive(EU) 2015/863 amending Annex II to Directive 2011/65/EU**. It is possible to use **CE** marking to demonstrate the compliance with this **RoHS** Directive.



  
For Chief Executive / Jerry Yang  
Date: Sep. 02, 2022

This certificate of conformity is based on a single evaluation of the submitted sample(s) of the above mentioned product. It does not imply an assessment of the whole production and other relevant directives have to be observed.



扫一扫关注



扫码查证书

# Verification of Compliance

**Verification No.:** MK25050138P01-C01

**Name and address of Applicant:** **Dongguan Jingdeli Intelligent Technology Co.,Ltd.**  
Room 202, Building 3, No.28, Dongkeng Town Yanhe West 1st Road, Dongkeng Town, Dongguan, 523000, Guangdong, China

**Name and address of Manufacturer:** **Dongguan Jingdeli Intelligent Technology Co.,Ltd.**  
Room 202, Building 3, No.28, Dongkeng Town Yanhe West 1st Road, Dongkeng Town, Dongguan, 523000, Guangdong, China

**Product name:** **Furniture Power Distribution Unit**

**Product model(s):** JDLO22PH, JDLO followed by 1~6, followed by 1~6, followed by T or P, followed by S or H, maybe followed by K, maybe followed by U, D or A, JDLY followed by 1~6, followed by 1~6, followed by T or P, followed by S or H, maybe followed by K, maybe followed by U, D or A

**Product trademark:** **JNDELY**

This verification confirms that the product meets the requirements of the following standard. The conformity was demonstrated based on following standard(s) listed by European Commission as harmonized with Directive RoHS 2.0 Directive (EU) 2015/863 and (EU)2017/2102 amending Annex II to Directive 2011/65/EU

IEC 62321-1:2013	IEC 62321-3-1:2013
IEC 62321-4:2013/AMD1:2017	IEC 62321-5:2013
IEC 62321-6:2015	IEC 62321-7-1:2015
IEC 62321-7-2:2017	IEC 62321-8:2017
IEC 62321-2:2021	

*The verification has been carried out in accordance with individual rules and conditions agreed with the applicant. Evaluation has been carried out in accordance with:*

**Test report(s) No.:** MK25050138P01-C01

**Test conducted by:** TMC Testing Services (Shenzhen) Co., Ltd.

**Verification issue date:** May 29, 2025

**Notes:**

*This verification refers to the above mentioned product and its conformity in regards of above mentioned standard(s) was proven on test sample.*

*This verification does not imply meeting all essential requirements, assessment of the series-production or any other restricted Notified Bodies conformity assessment procedure appropriate for the product.*

*This verification holder shall use this verification in connection to verification of conformity and technical data relevant for the product the verification was issued.*

**TMC Testing Services (Shenzhen) Co., Ltd.**

t:86-755-86642861 cert@tmc-lab.com www.tmc-lab.com

1st Floor, Block A1, Zone A, Xinshidai Gongrong Industrial Park, No. 2, Shihuan Road, Shiyuan Street, Baoan District, Shenzhen, China



# Verification of Compliance

Verification No.:	MK25050138P01-E01
Name and address of Applicant:	<b>Dongguan Jingdeli Intelligent Technology Co.,Ltd.</b> Room 202,Building 3,No.28, Dongkeng Town Yanhe West 1st Road, Dongkeng Town, Dongguan,523000, Guangdong,China
Name and address of Manufacturer:	<b>Dongguan Jingdeli Intelligent Technology Co.,Ltd.</b> Room 202,Building 3,No.28, Dongkeng Town Yanhe West 1st Road, Dongkeng Town, Dongguan,523000, Guangdong,China
Product name:	<b>Furniture Power Distribution Unit</b>
Rated:	110-240VAC, 60Hz
Product model(s):	JDLO22PH, JDLO followed by 1~6, followed by 1~6, followed by T or P, followed by S or H, maybe followed by K, maybe followed by U, D or A
Product trademark:	<b>JNDELY</b>

This verification confirms that the product meets the requirements of the following standard.  
The conformity was demonstrated based on following standard(s) listed by European Commission as harmonized with EMC Directive 2014/30/EU

EN 55032:2015+A11:2020	EN 55035:2017+A11:2020
EN IEC 61000-3-2:2019+A1:2021	EN 61000-3-3:2013/A2:2021

*The verification has been carried out in accordance with individual rules and conditions agreed with the applicant. Evaluation has been carried out in accordance with:*

Test report(s) No.:	MK25050138P01-E01
Test conducted by:	TMC Testing Services (Shenzhen) Co., Ltd.
Verification issue date:	May 29, 2025

#### Notes:

*This verification refers to the above mentioned product and its conformity in regards of above mentioned standard(s) was proven on test sample.*

*This verification does not imply meeting all essential requirements, assessment of the series-production or any other restricted Notified Bodies conformity assessment procedure appropriate for the product.*

*This verification holder shall use this verification in connection to verification of conformity and technical data relevant for the product the verification was issued.*

#### **TMC Testing Services (Shenzhen) Co., Ltd.**

t:86-755-86642861 cert@tmc-lab.com www.tmc-lab.com

1st Floor, Block A1, Zone A, Xinshidai Gongrong Industrial Park, No. 2, Shihuan Road, Shiyuan Street, Baoan District, Shenzhen, China



# Verification of Compliance

Verification No.: MK25050138P01-S01

Name and address of Applicant: **Dongguan Jingdeli Intelligent Technology Co.,Ltd.**  
Room 202, Building 3, No.28, Dongkeng Town Yanhe West 1st Road, Dongkeng Town, Dongguan, 523000, Guangdong, China

Name and address of Manufacturer: **Dongguan Jingdeli Intelligent Technology Co.,Ltd.**  
Room 202, Building 3, No.28, Dongkeng Town Yanhe West 1st Road, Dongkeng Town, Dongguan, 523000, Guangdong, China

Product name: **Furniture Power Distribution Unit**

Rated: Input: 100-240VAC, 50/60Hz, Max.16A; 2\*USB Output: DC 5V, 2A  
JDLO22PH,

Product model(s): JDLO followed by 1~6, followed by 1~6, followed by T or P, followed by S or H, maybe followed by K, maybe followed by U, D or A

Product trademark: **JNDELY**

This Verification confirms that the product meets the requirements of the following standard.  
The conformity was demonstrated based on following standard(s) listed by European Commission as harmonized with LVD Directive 2014/35/EU.

EN IEC 62368-1:2024+A11:2024  
IEC 60884-1:2002+A1:2006+A2:2013

The Verification has been carried out in accordance with individual rules and conditions agreed with the applicant. Evaluation has been carried out in accordance with:

Test report(s) No.: MK25050138P01-S01

Test conducted by: TMC Testing Services (Shenzhen) Co., Ltd.

Verification issue date: May 30, 2025

Notes:

*This Verification refers to the above mentioned product and its conformity in regards of above mentioned standard(s) was proven on test sample.*

*This Verification does not imply meeting all essential requirements, assessment of the series-production or any other restricted Notified Bodies conformity assessment procedure appropriate for the product.*

*This Verification holder shall use this Verification in connection to Verification of conformity and technical data relevant for the product the Verification was issued.*

**TMC Testing Services (Shenzhen) Co., Ltd.**

t:86-755-86642861 cert@tmc-lab.com www.tmc-lab.com  
1/F. of Building A1, 5/F. of Building B1, & 1/F. of Building A3, Xinshidai Gongrong Industrial Park, No.2, Shihuan Road, Shilong Community, Shiyan Subdistrict, Bao'an District, Shenzhen, Guangdong, China



Lab Director  
Dodd Tang

