
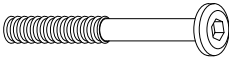


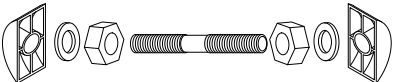
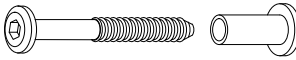
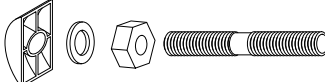

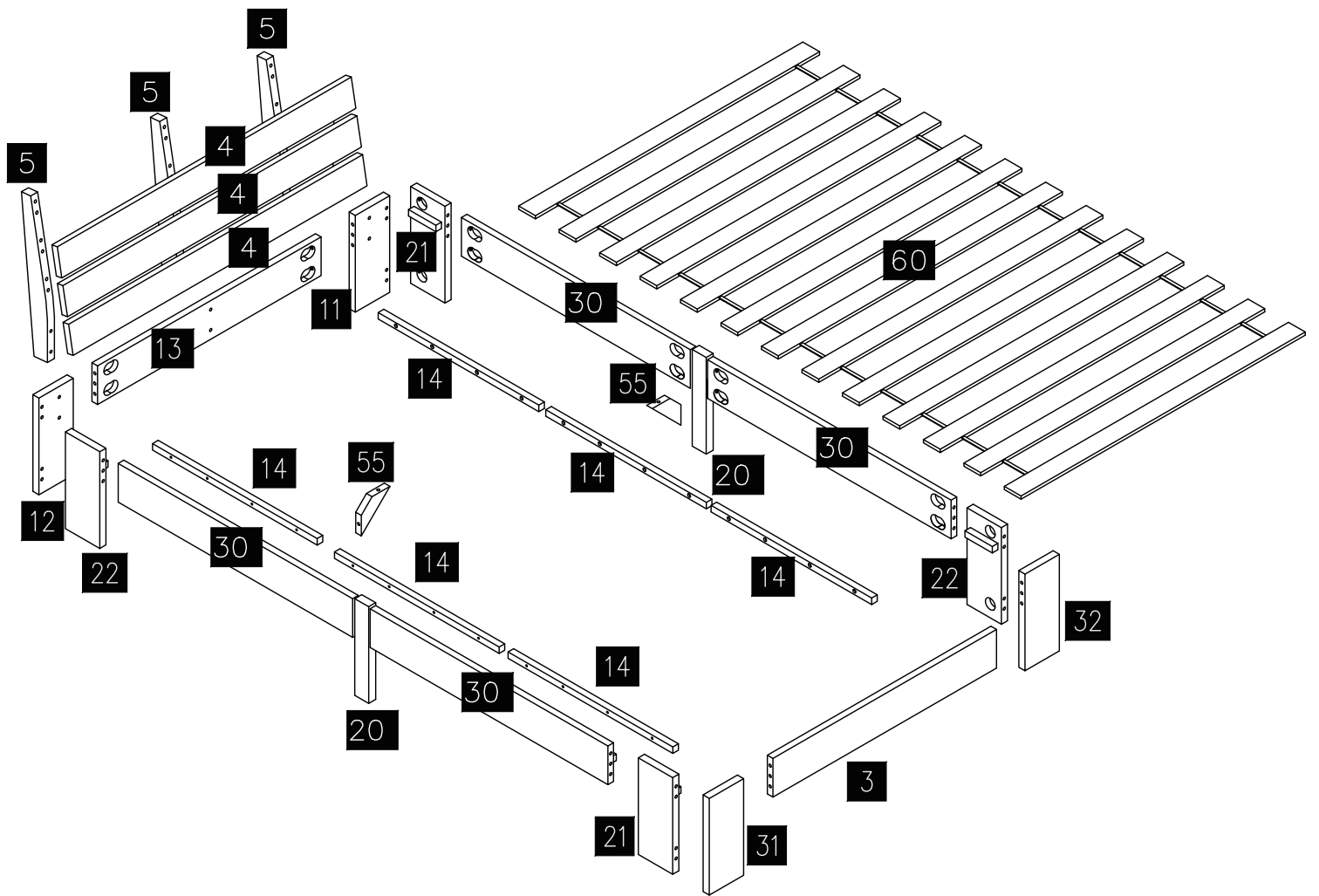
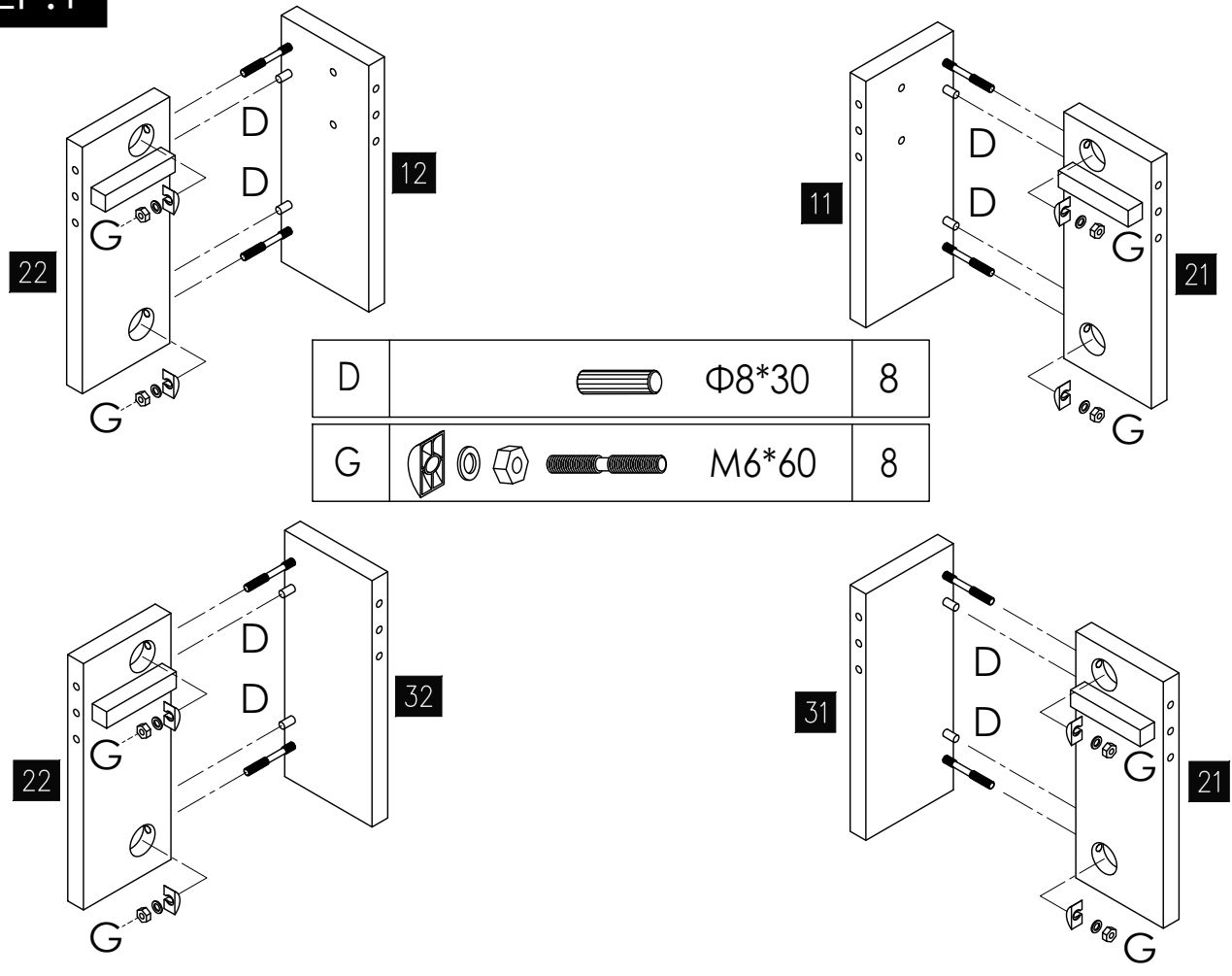


A		4*30	60
B		M6*40	18
C			2
D		Φ8*30	20
E		M6*140	4
F		M6*60	6
G		M6*60	24
H			2

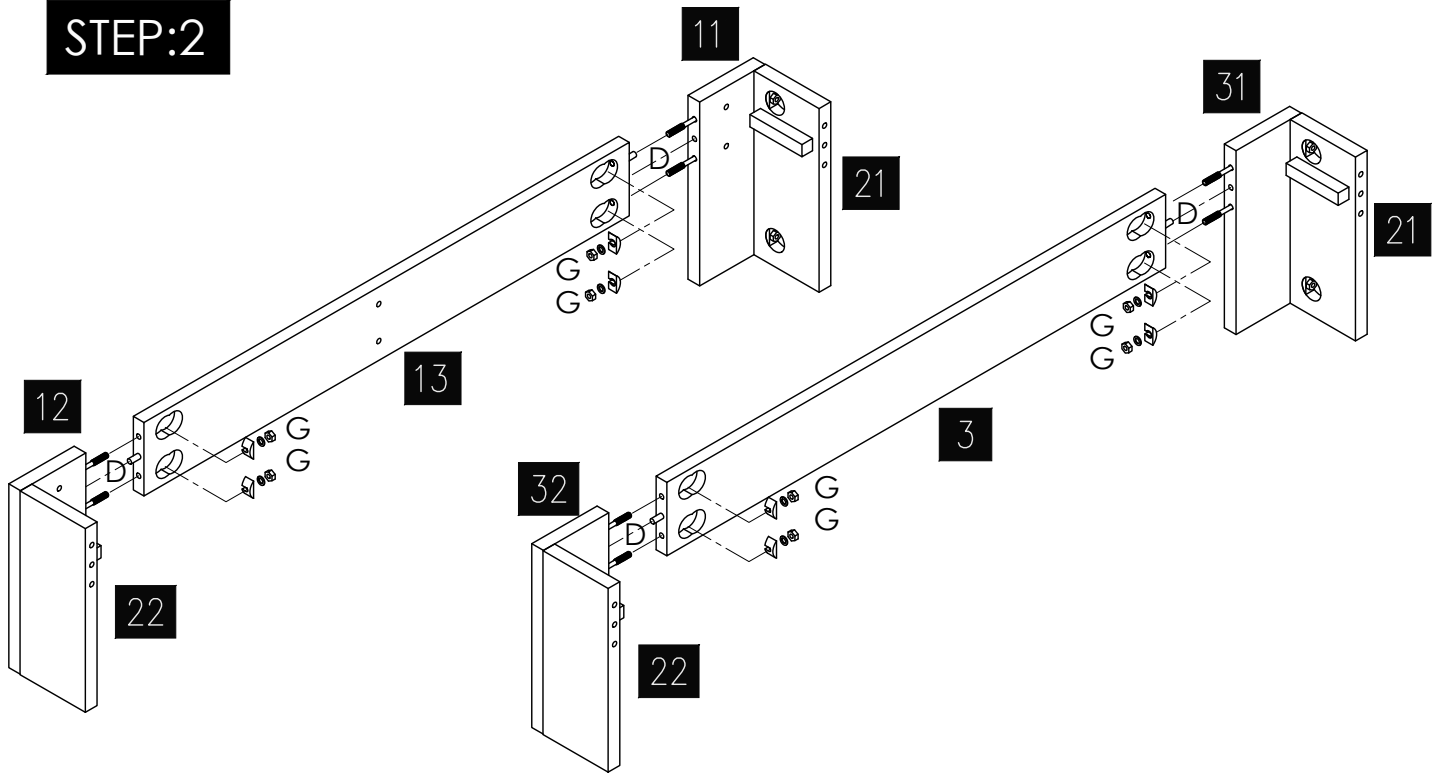


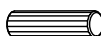
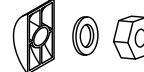
STEP:1



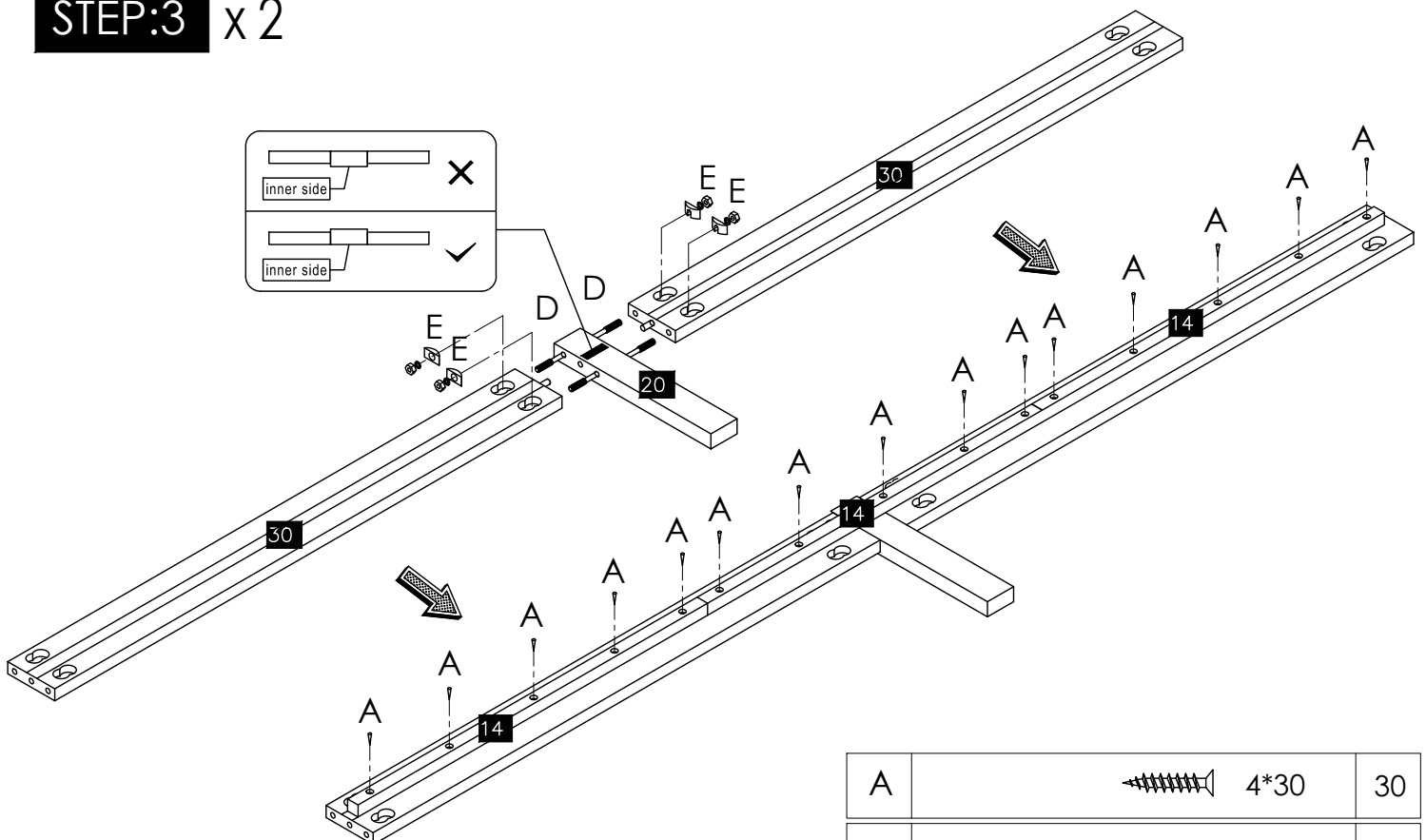
D		$\Phi 8*30$	8
G		M6*60	8

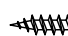


STEP:2



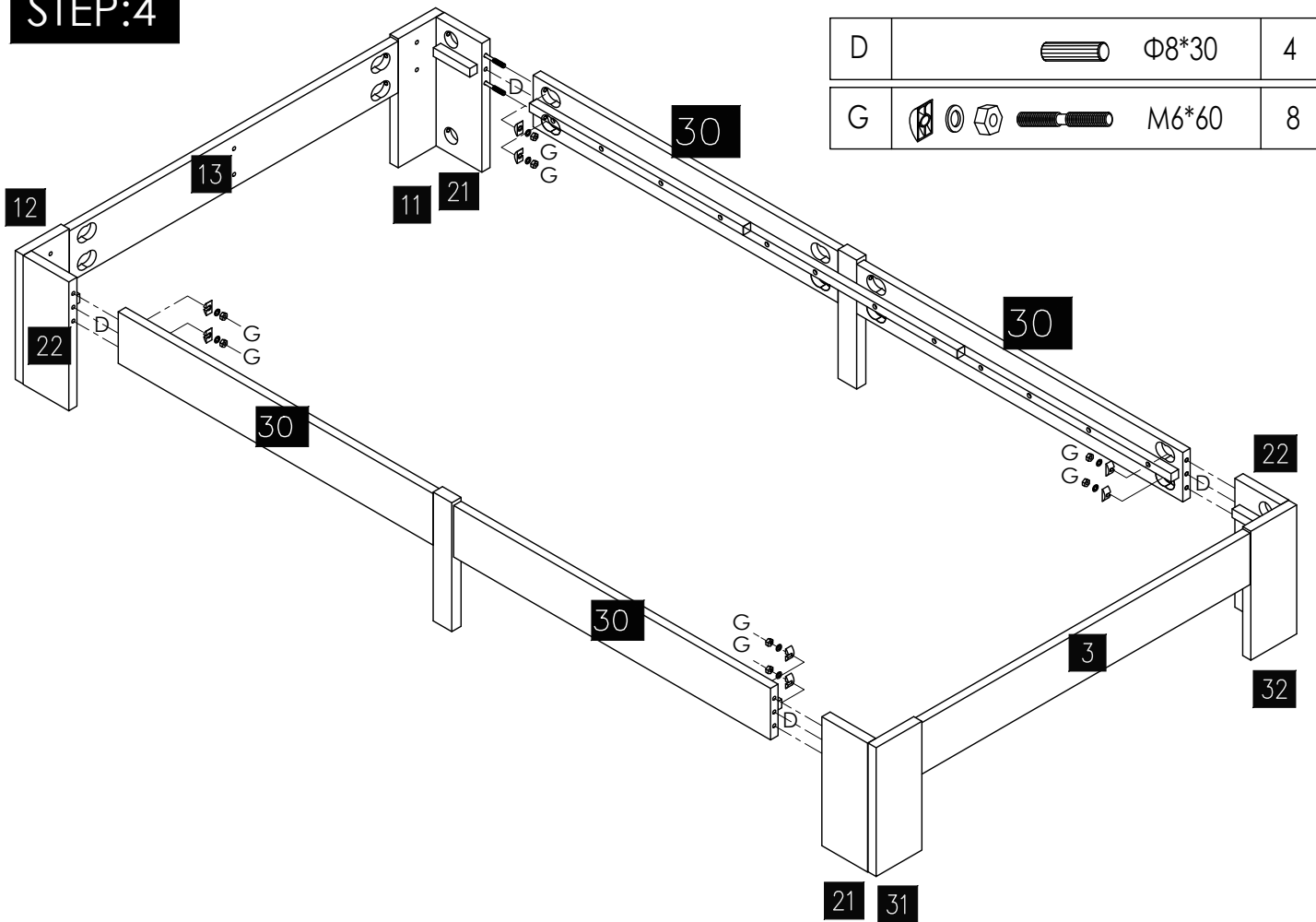
D		Φ8*30	4
G		M6*60	8



STEP:3 x 2



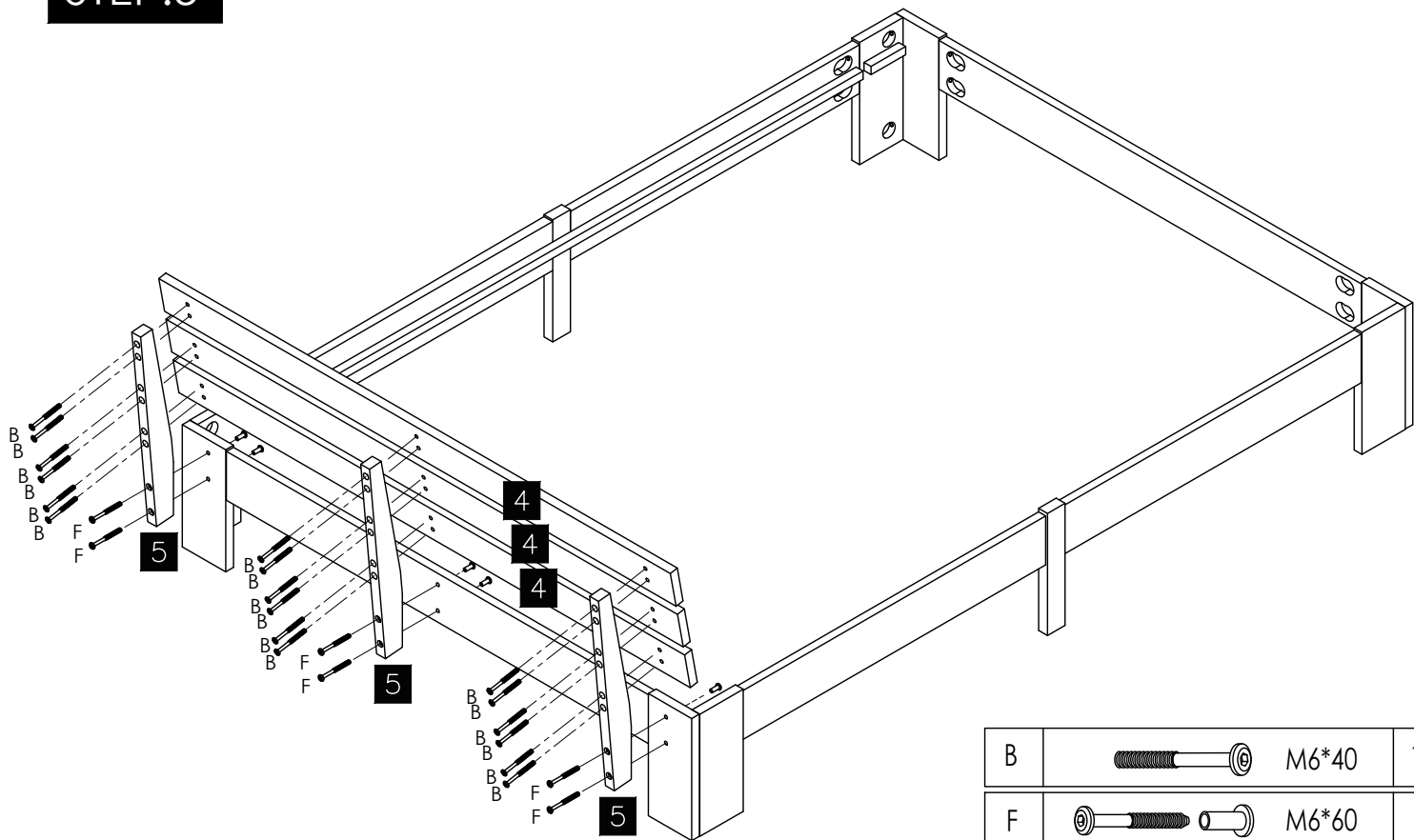
A		4*30	30
D		Φ8*30	4
E		M6*140	4



STEP:4



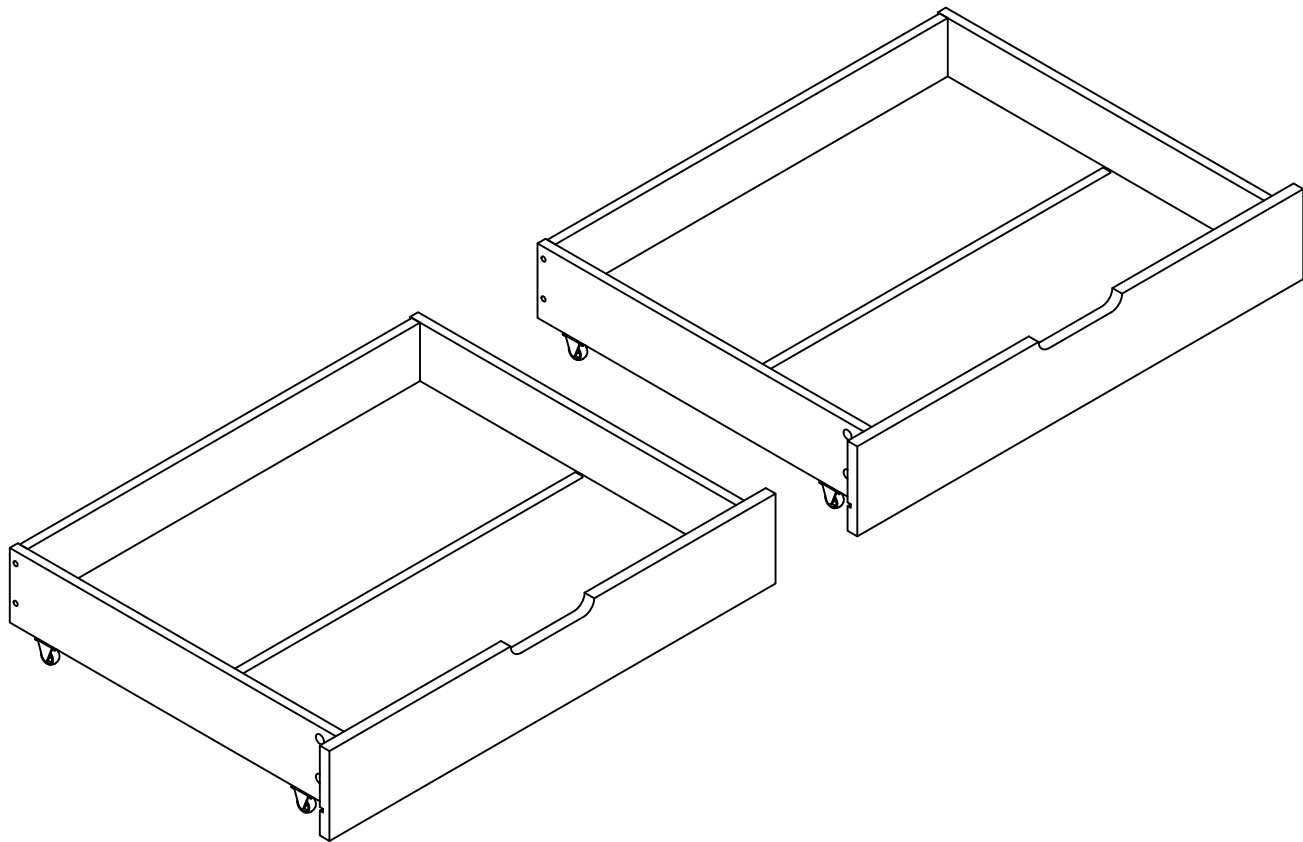
D		Φ8*30	4
G		M6*60	8


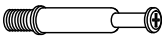


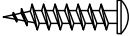

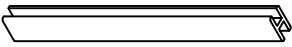

STEP:5

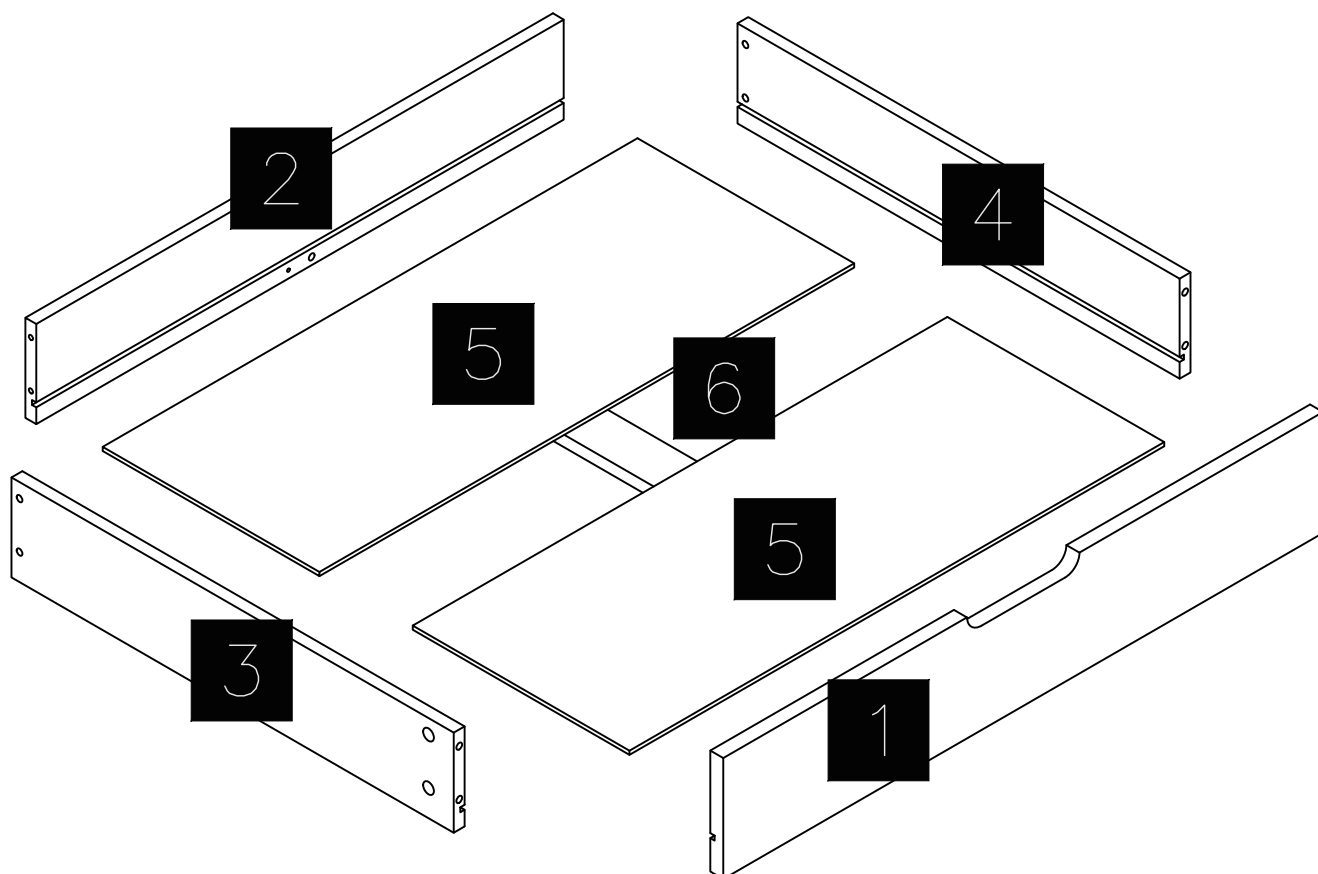
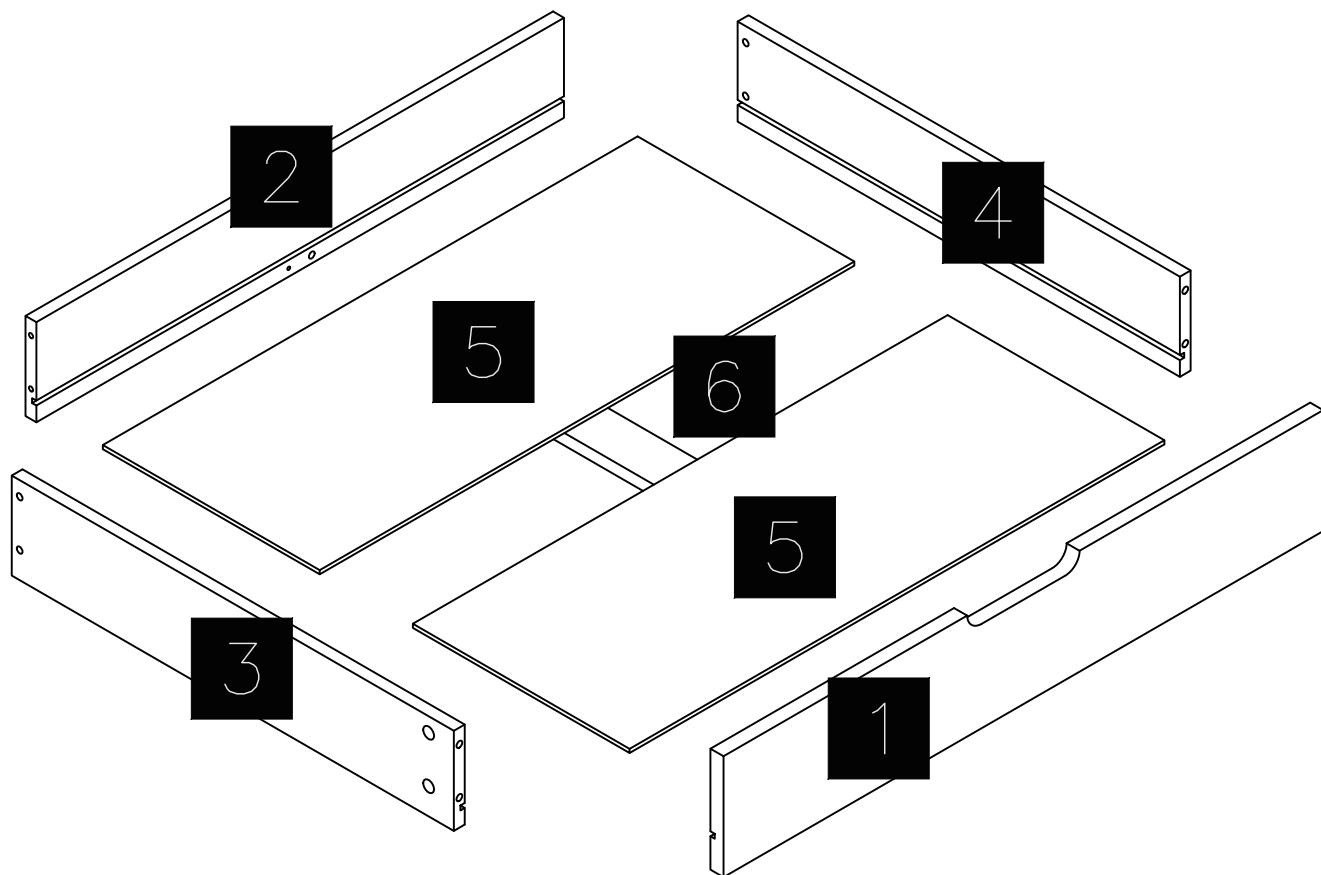


B		M6*40	18
F		M6*60	6

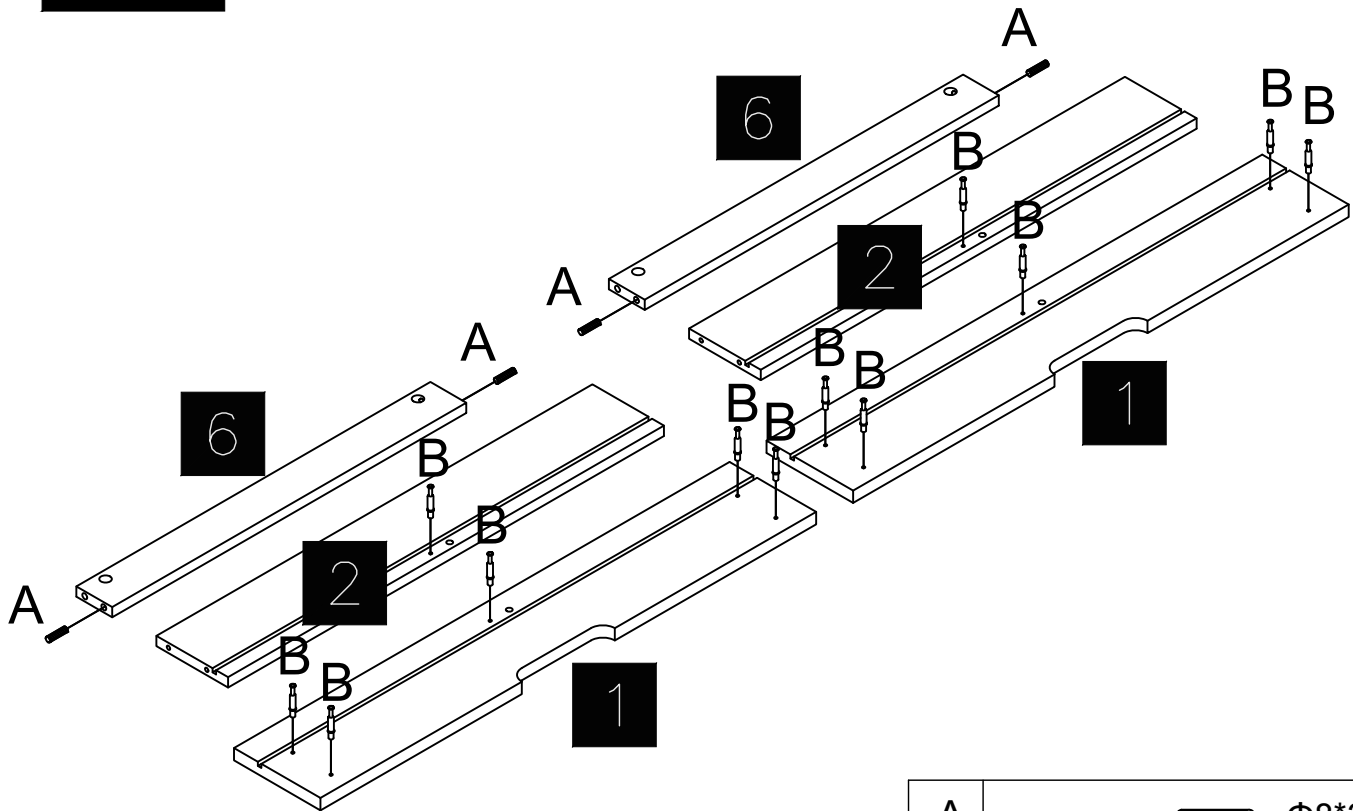
Item No:1910/1911/2040


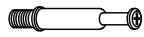


A	 $\Phi 8*30$	4
B		12
C	 $\Phi 7*50$	8
D		12
E	 $\Phi 3*16$	16
F	 35mm	8
G	 725mm	2
H		1

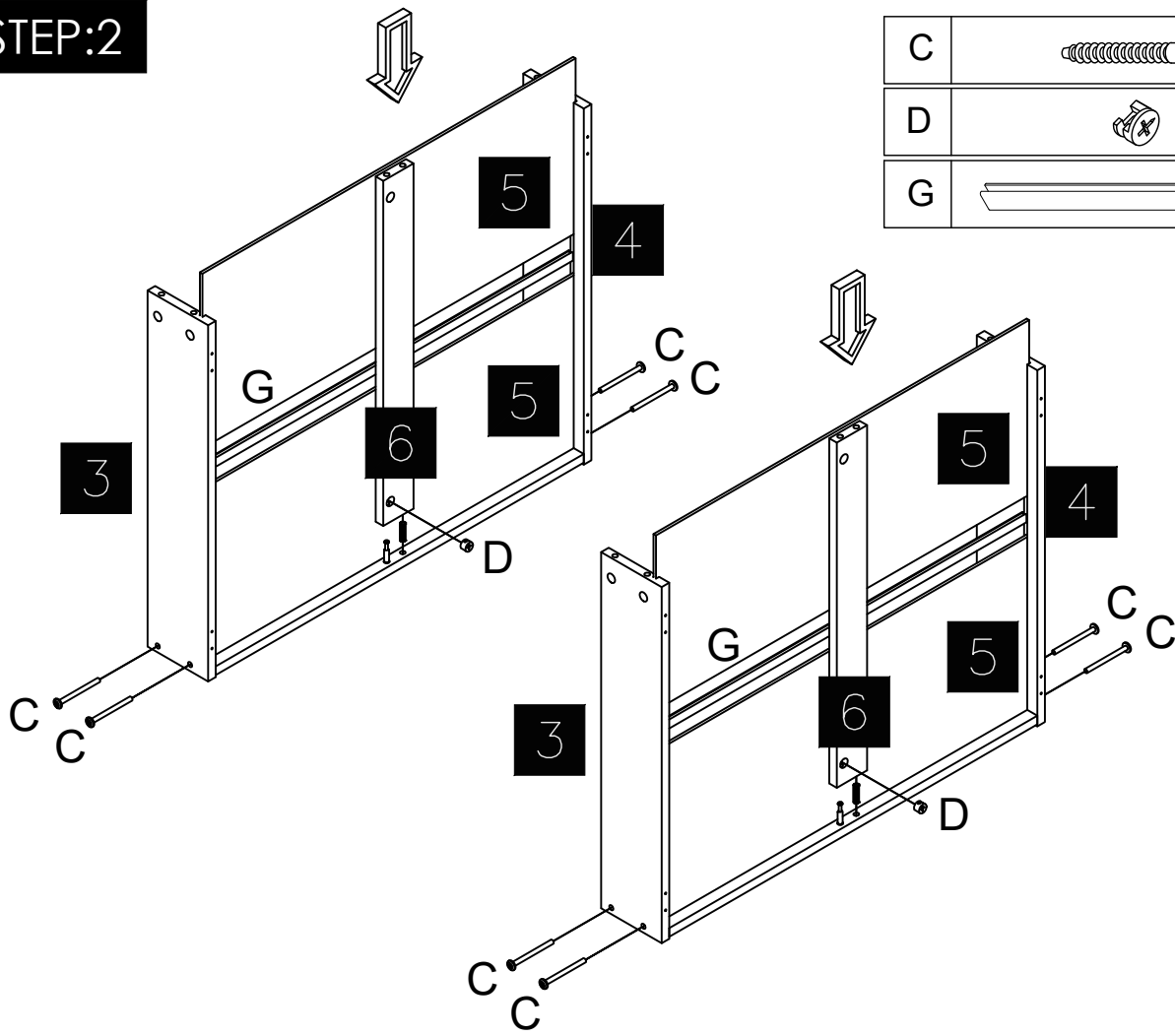





STEP:1



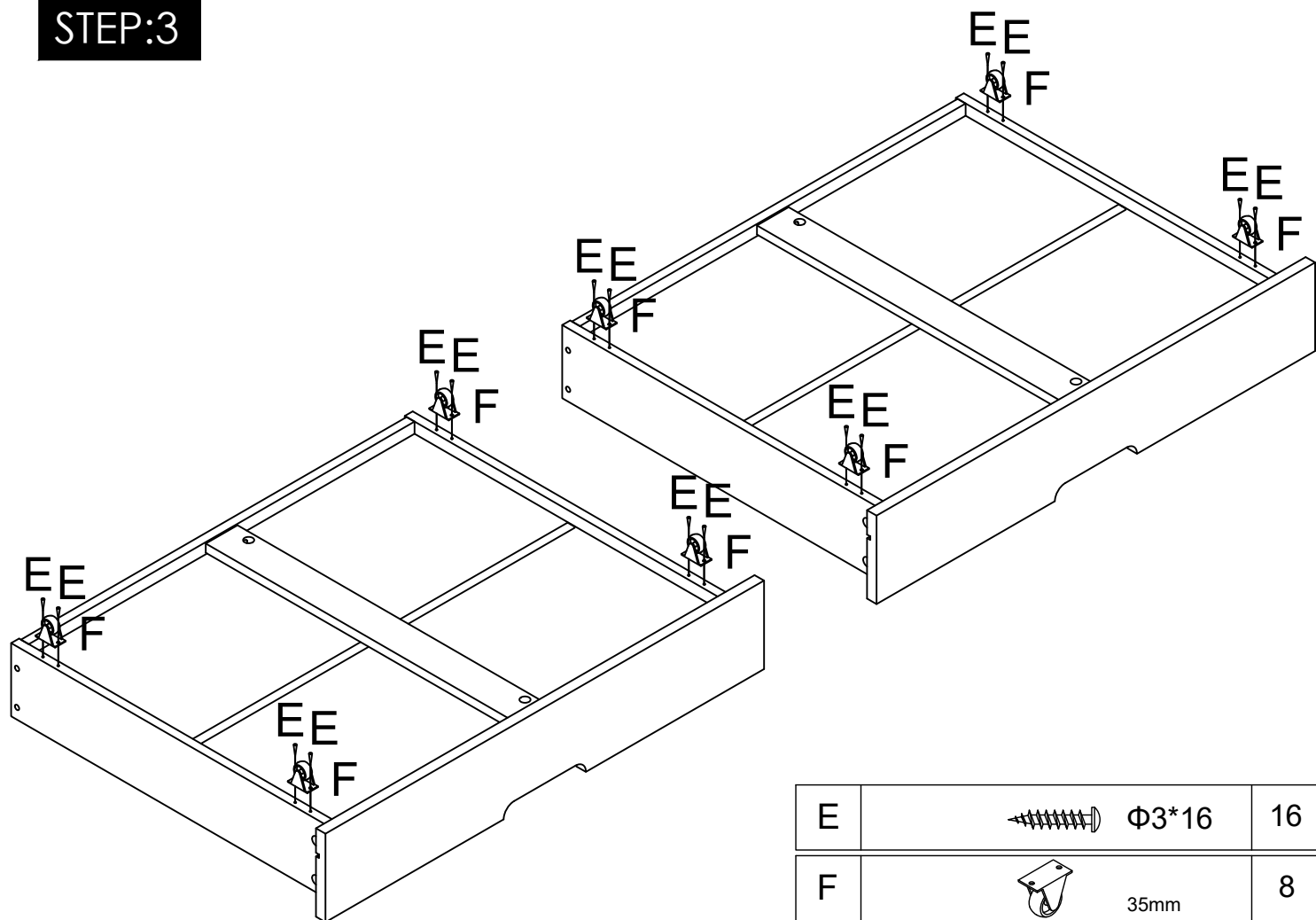
A		Φ8*30	4
B			12

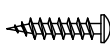

STEP:2



C		Φ7*50	8
D			2
G		725mm	2

STEP:3



E	 $\Phi 3*16$	16
F	 35mm	8