



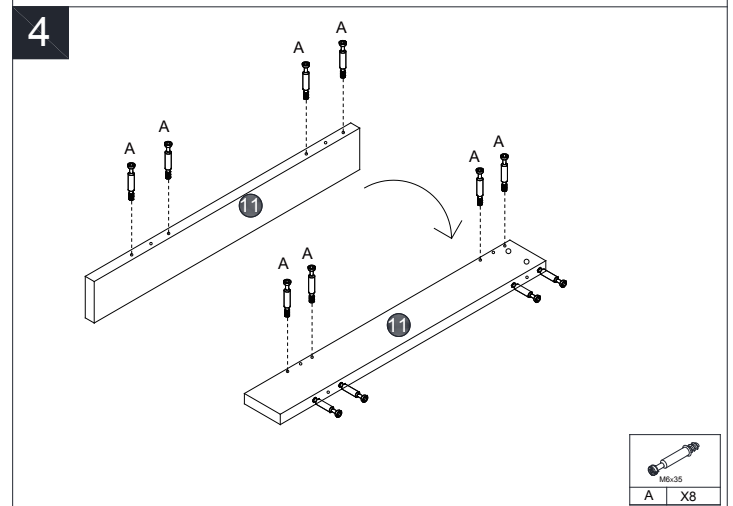
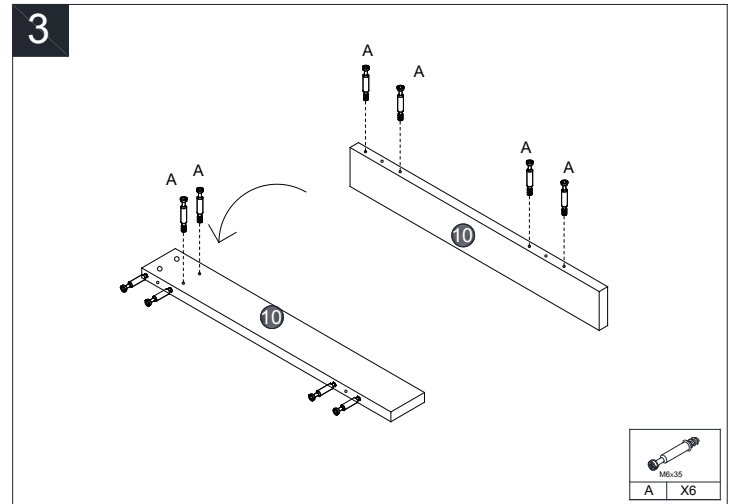
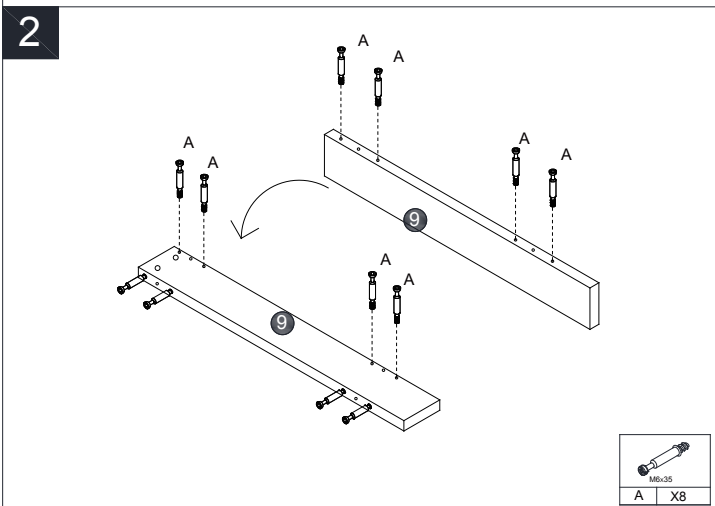
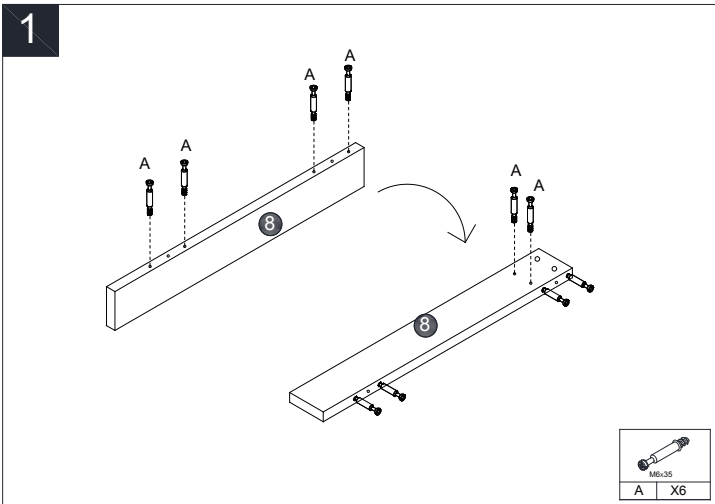
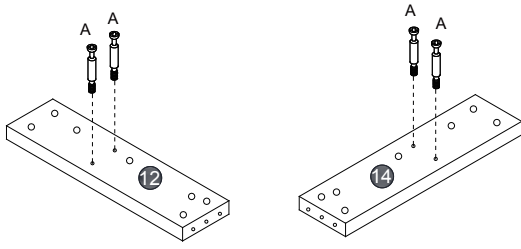
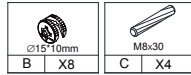
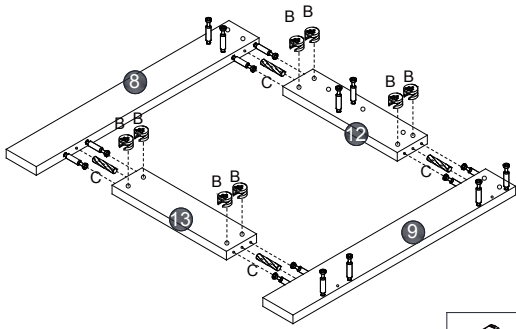

A	X69	B	X69	C	X34
					
G	X12	H	X1	I	X4
				J	X2



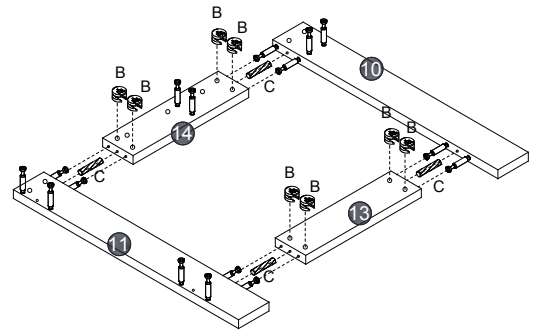
5



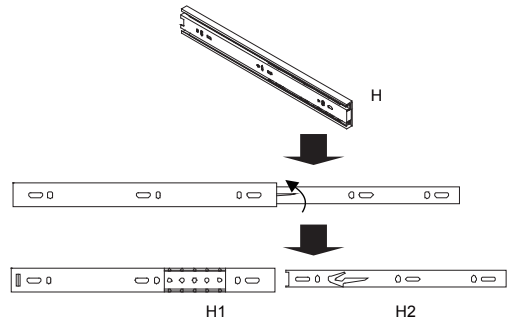
6



7

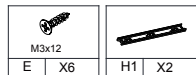
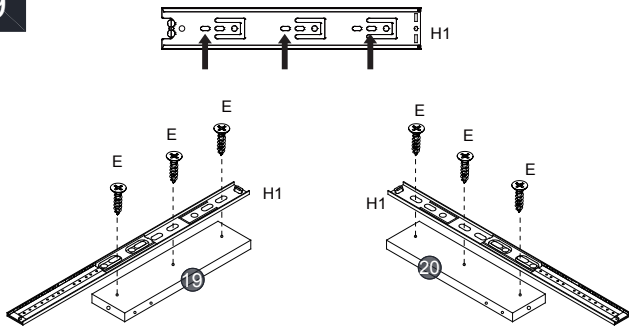


8

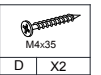
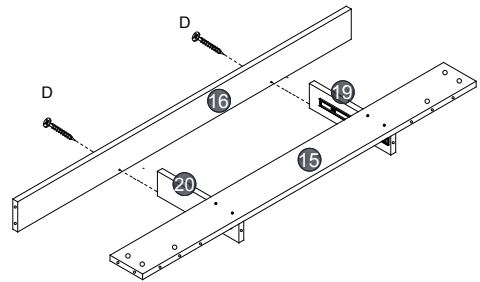


x2

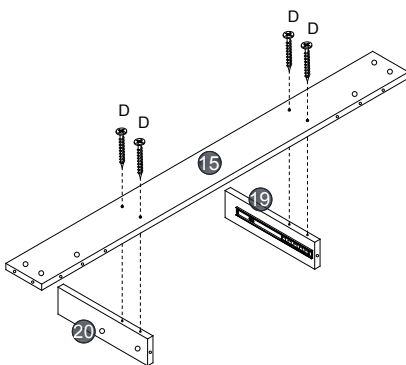
9



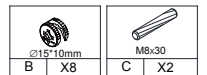
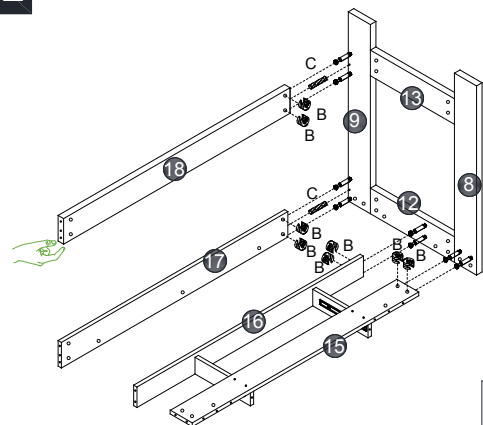
11



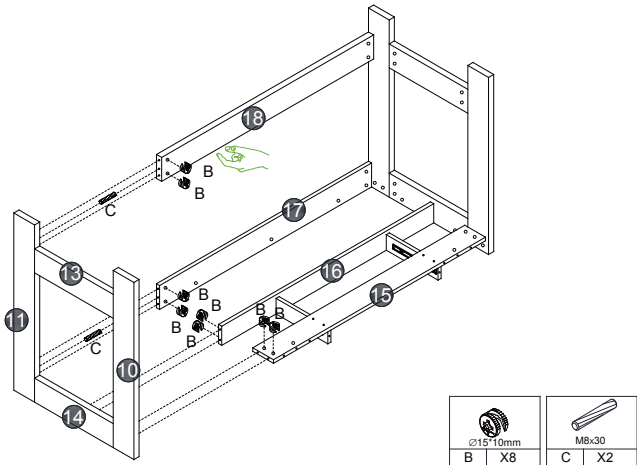
10



12

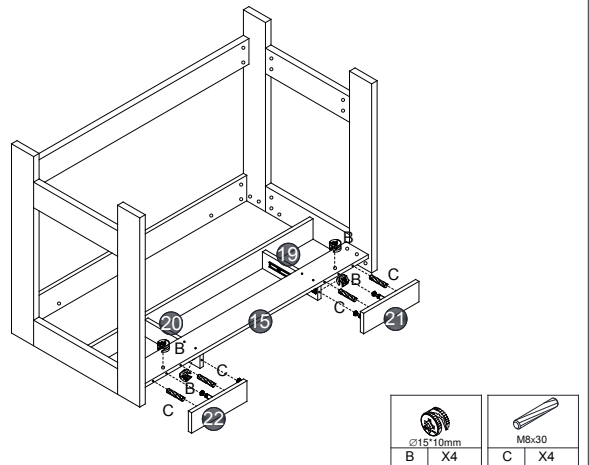


13



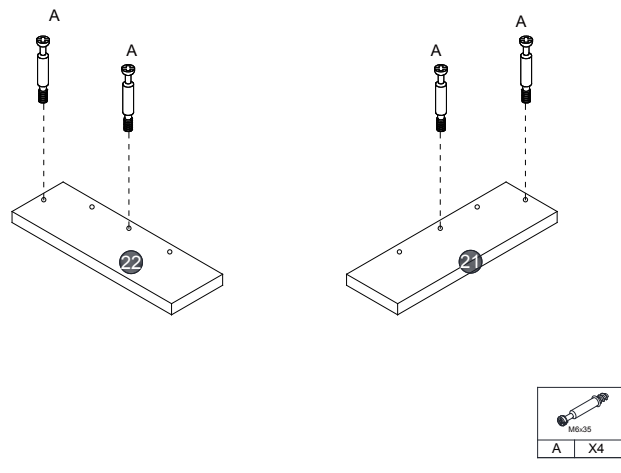
∅15-10mm B X8	M8x30 C X2

15



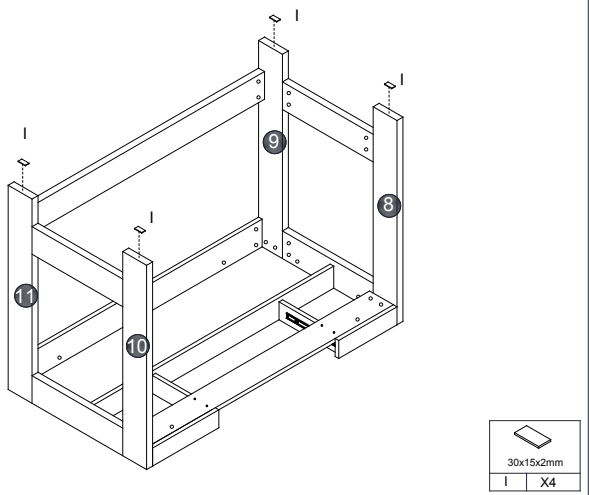
∅15-10mm B X4	M8x30 C X4

14



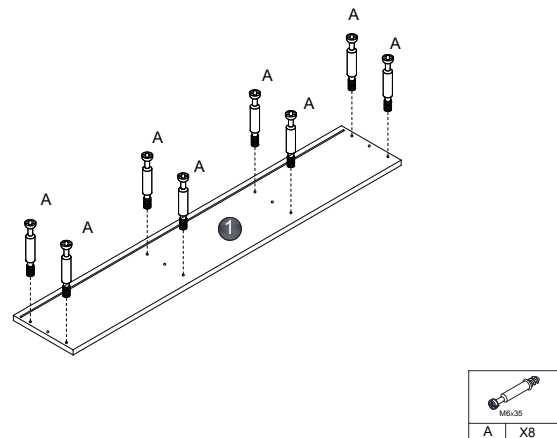
M6x35 A X4

16



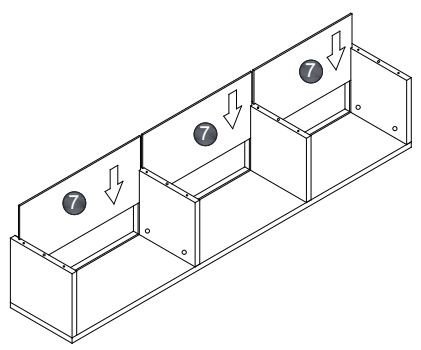
30x15x2mm I X4

17

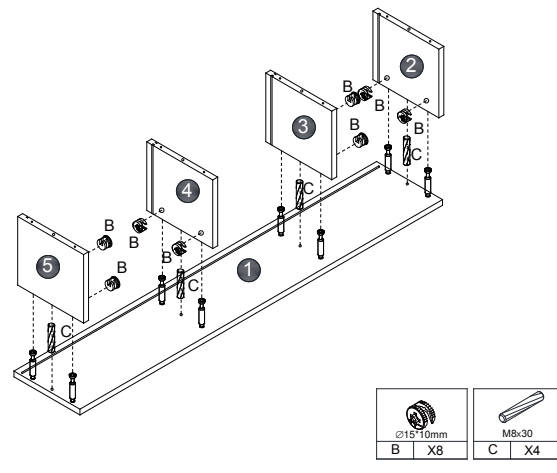


M6x35 A X8

19

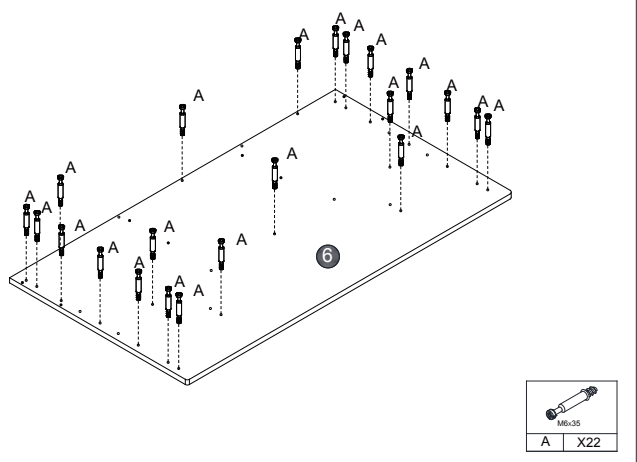


18



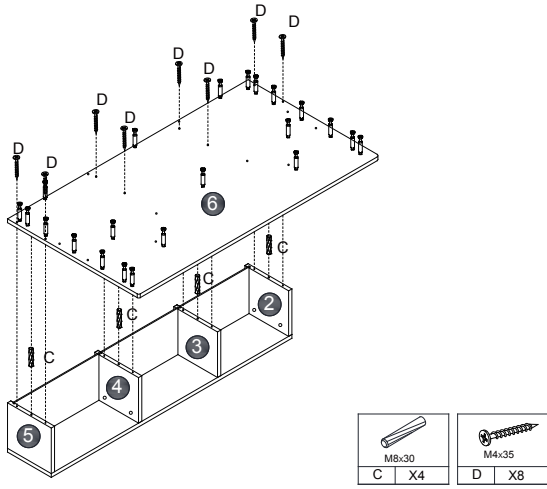
∅15-10mm B X8	M8x30 C X4

20

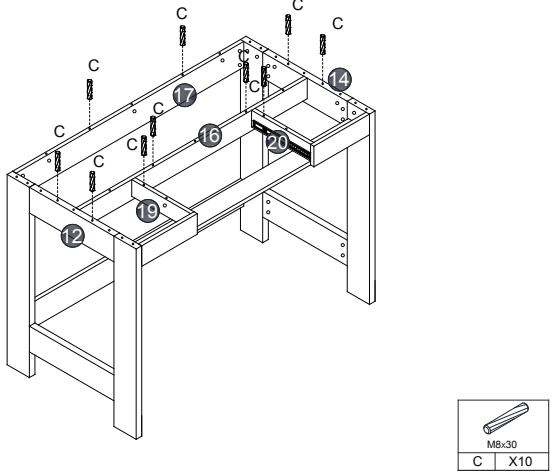


M6x35 A X22

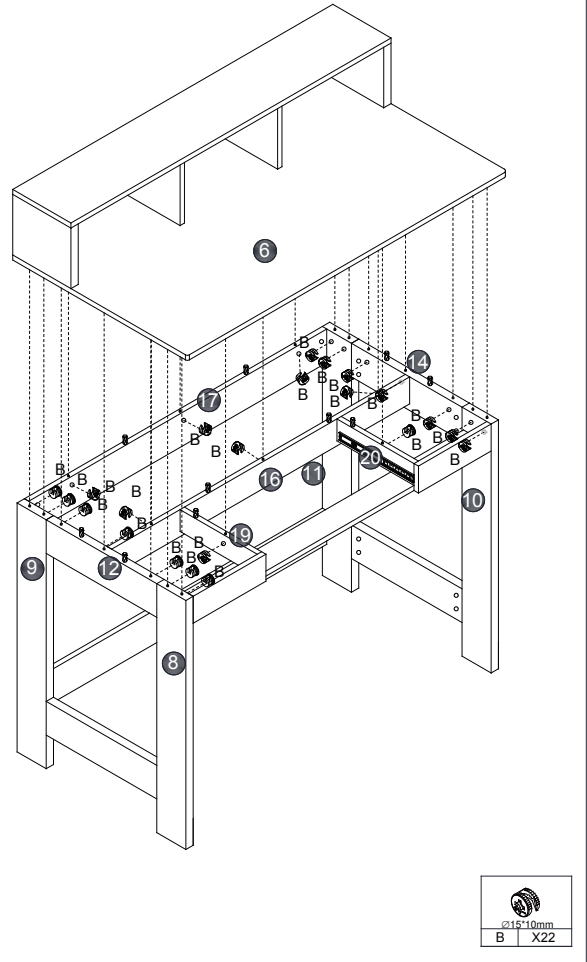
21



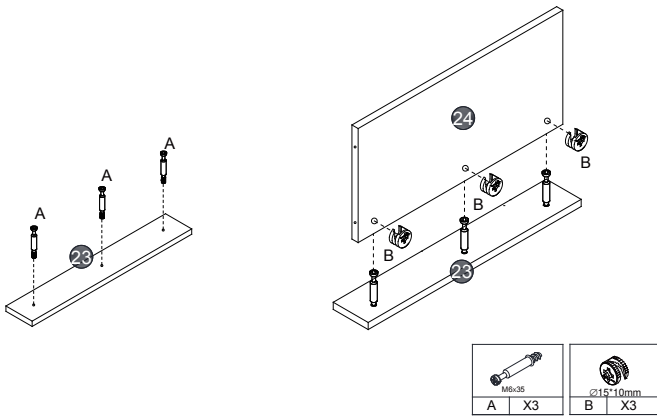
22



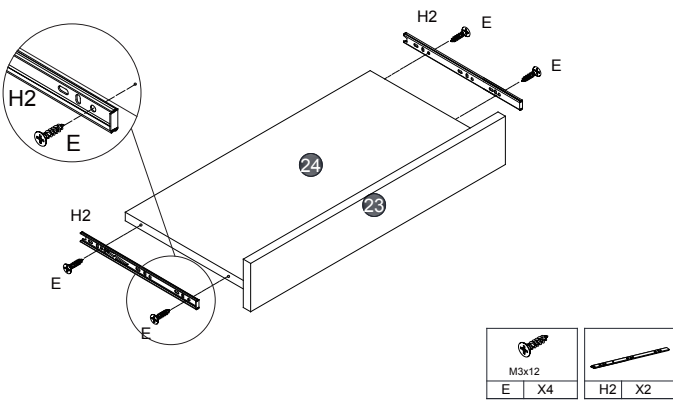
23



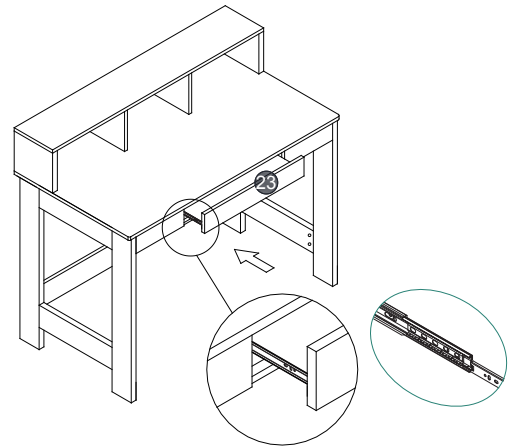
24



25



26



27

