
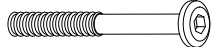


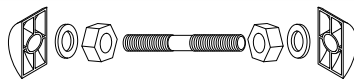
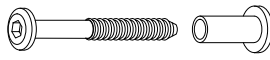
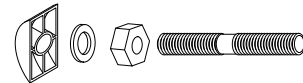


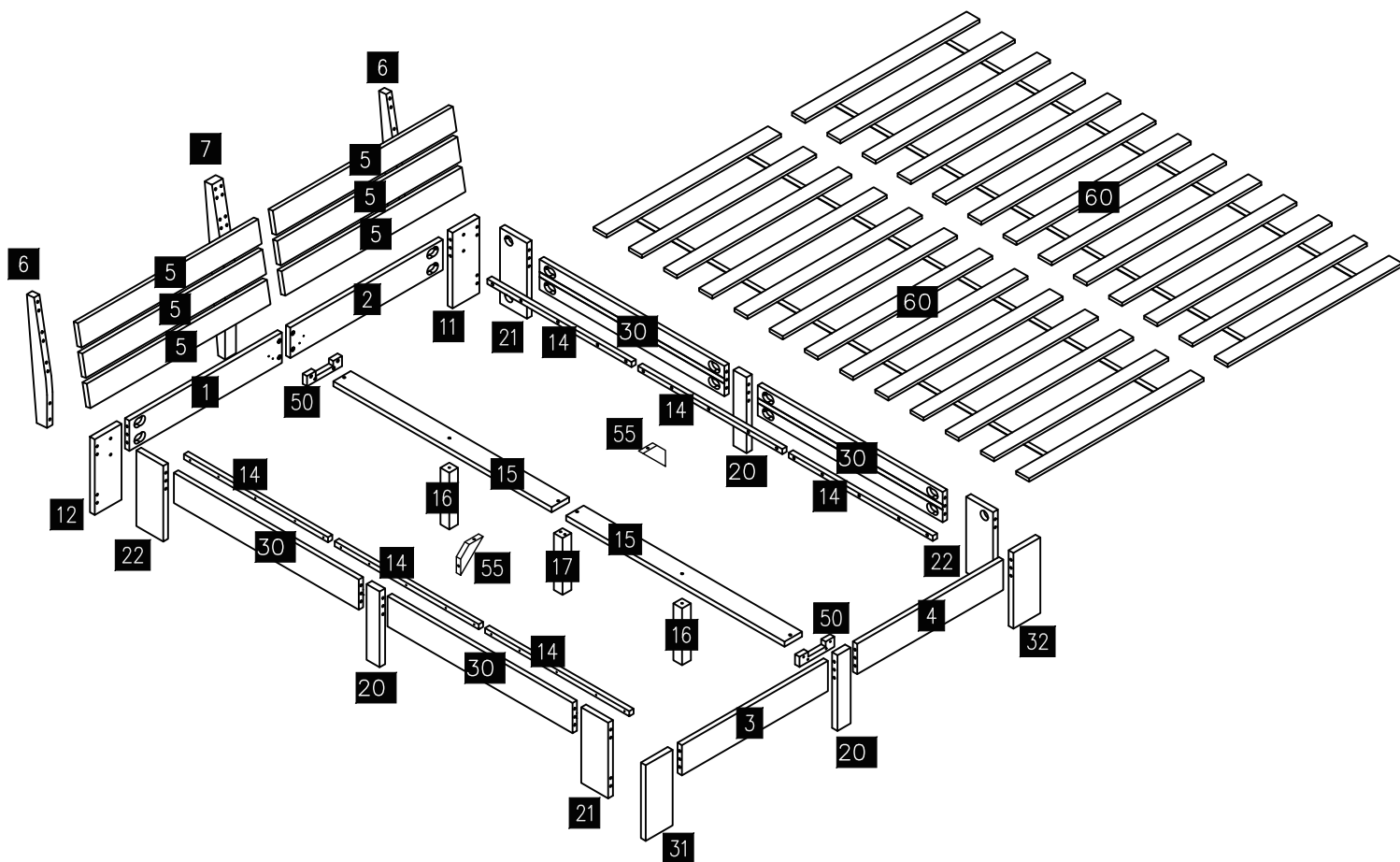
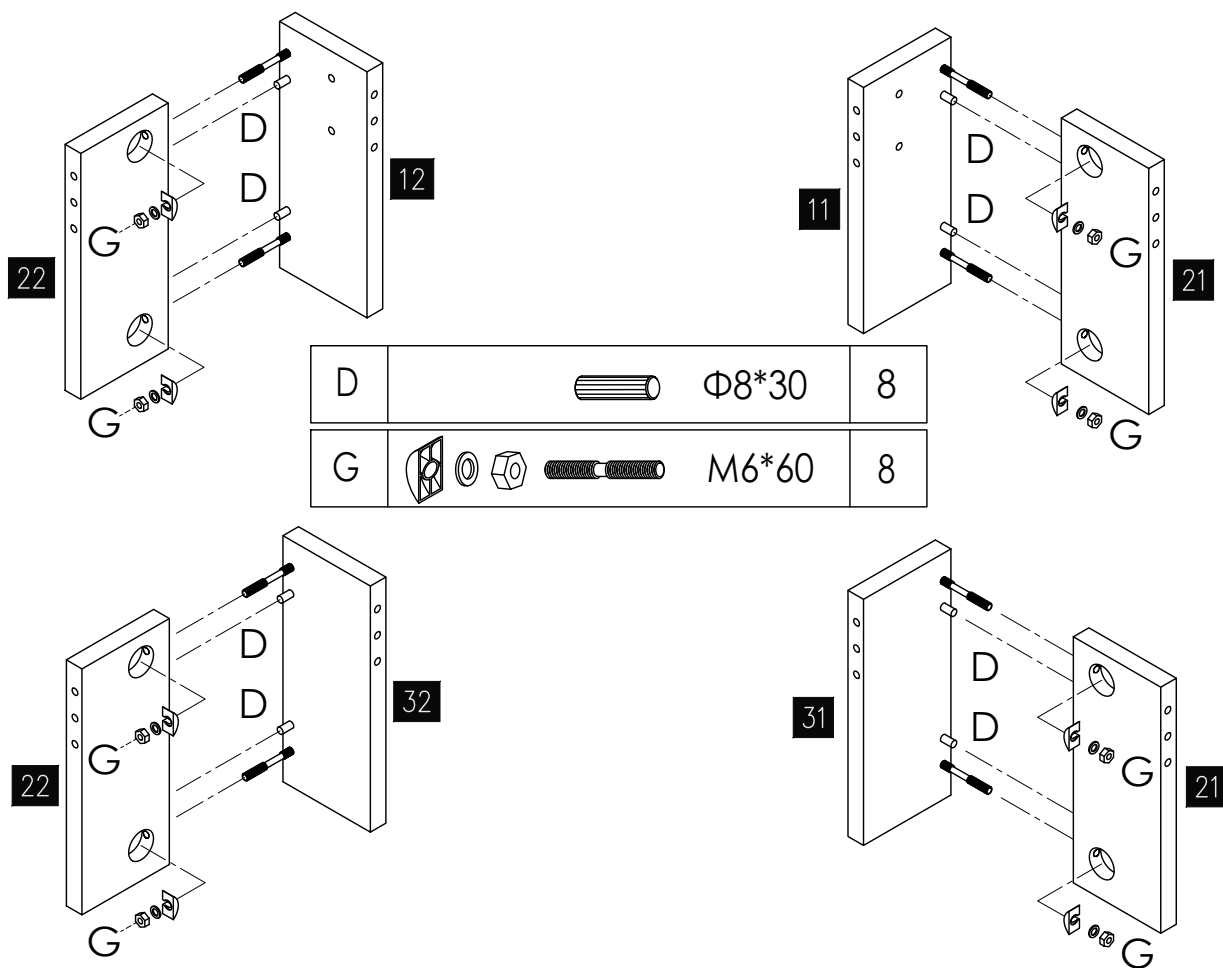


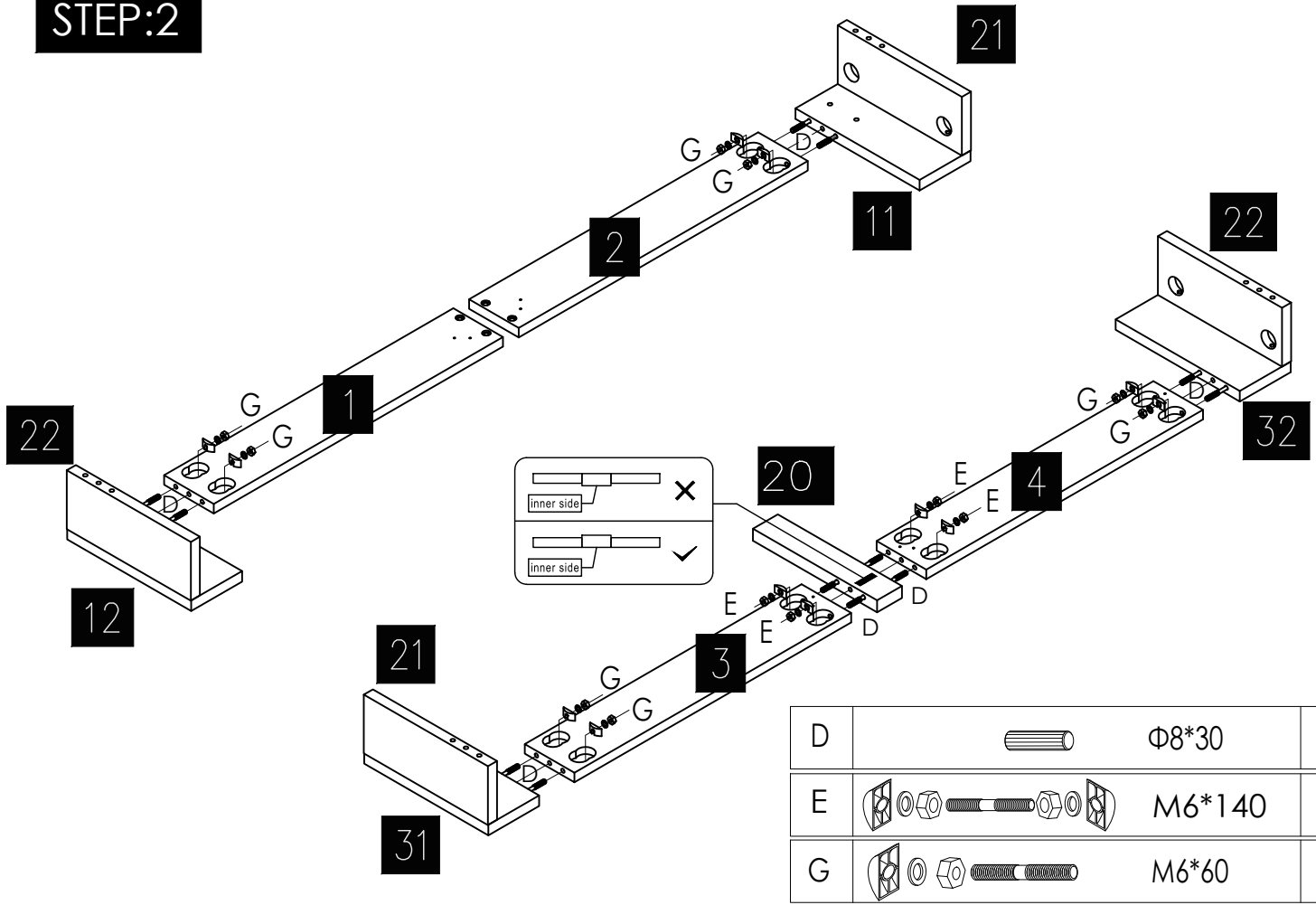
A		4*30	96
B		M6*40	24
C			2
D		Φ8*30	22
E		M6*140	6
F		M6*60	8
G		M6*60	24
H		Φ7*60	4
I			2



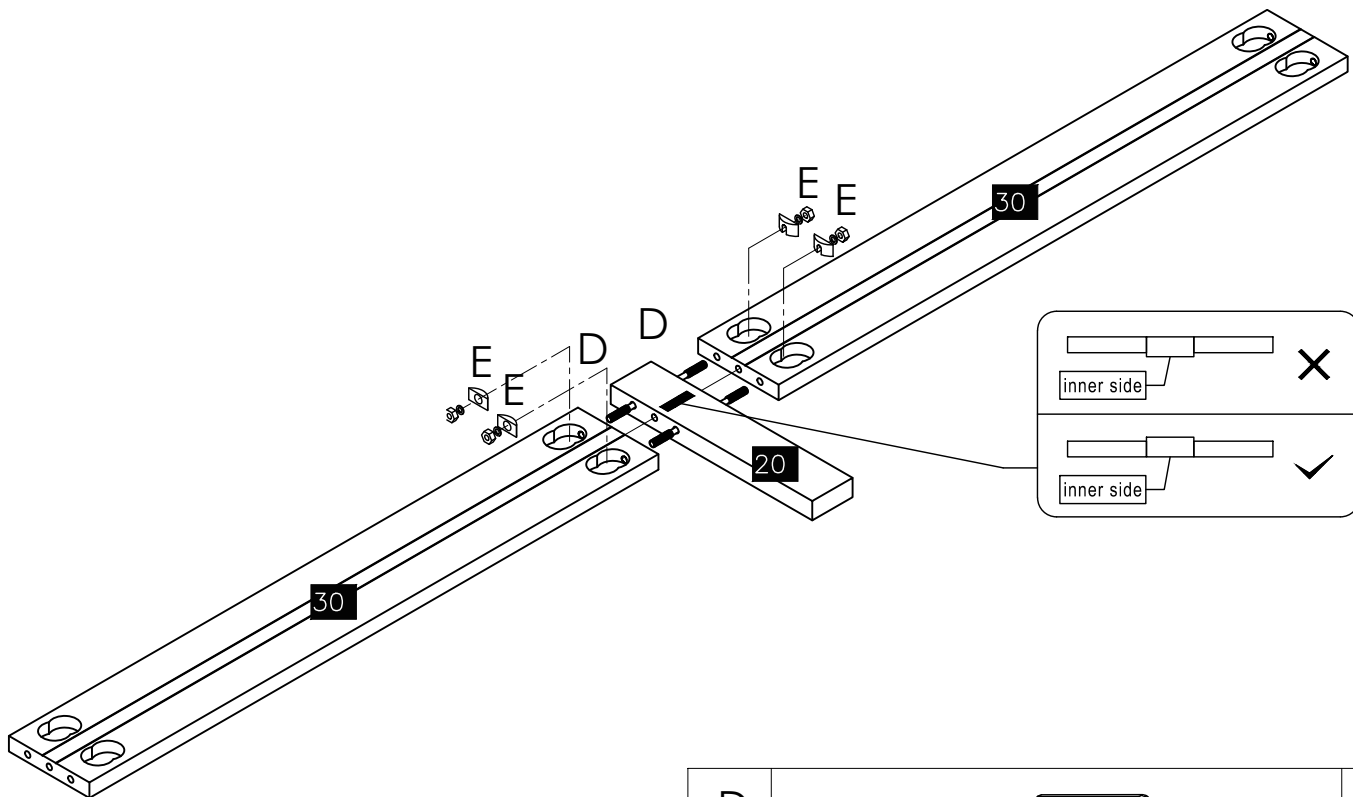
STEP:1



STEP:2

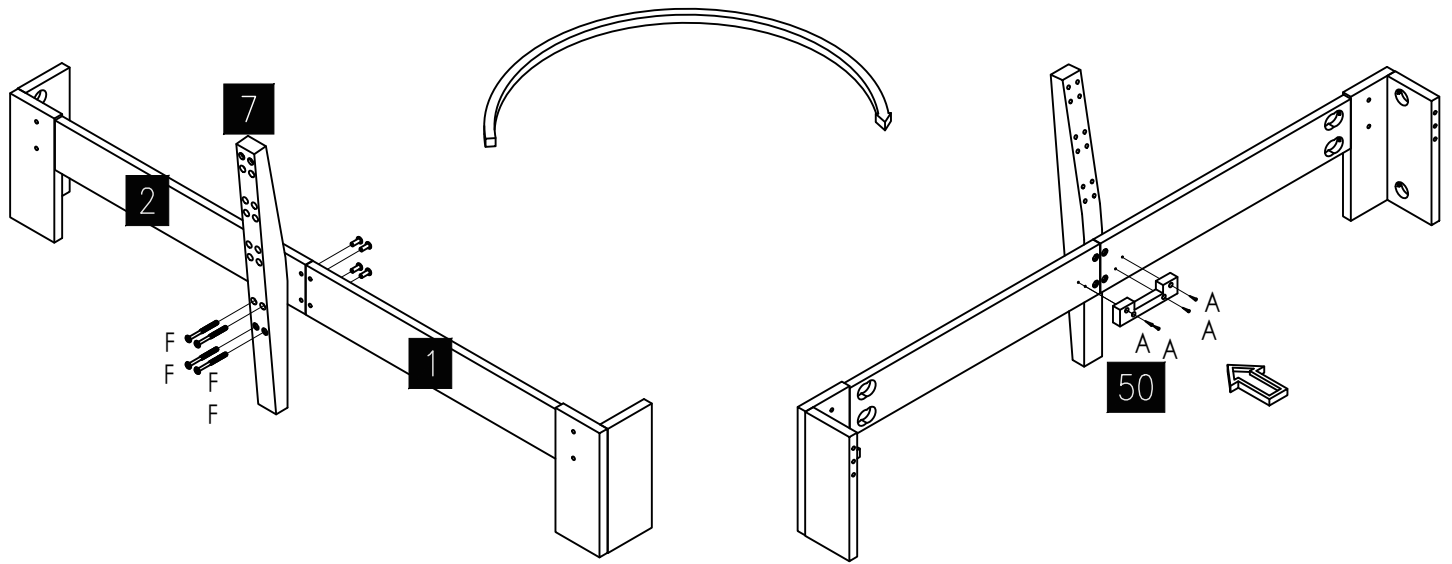



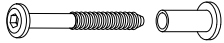
STEP:3 x 2



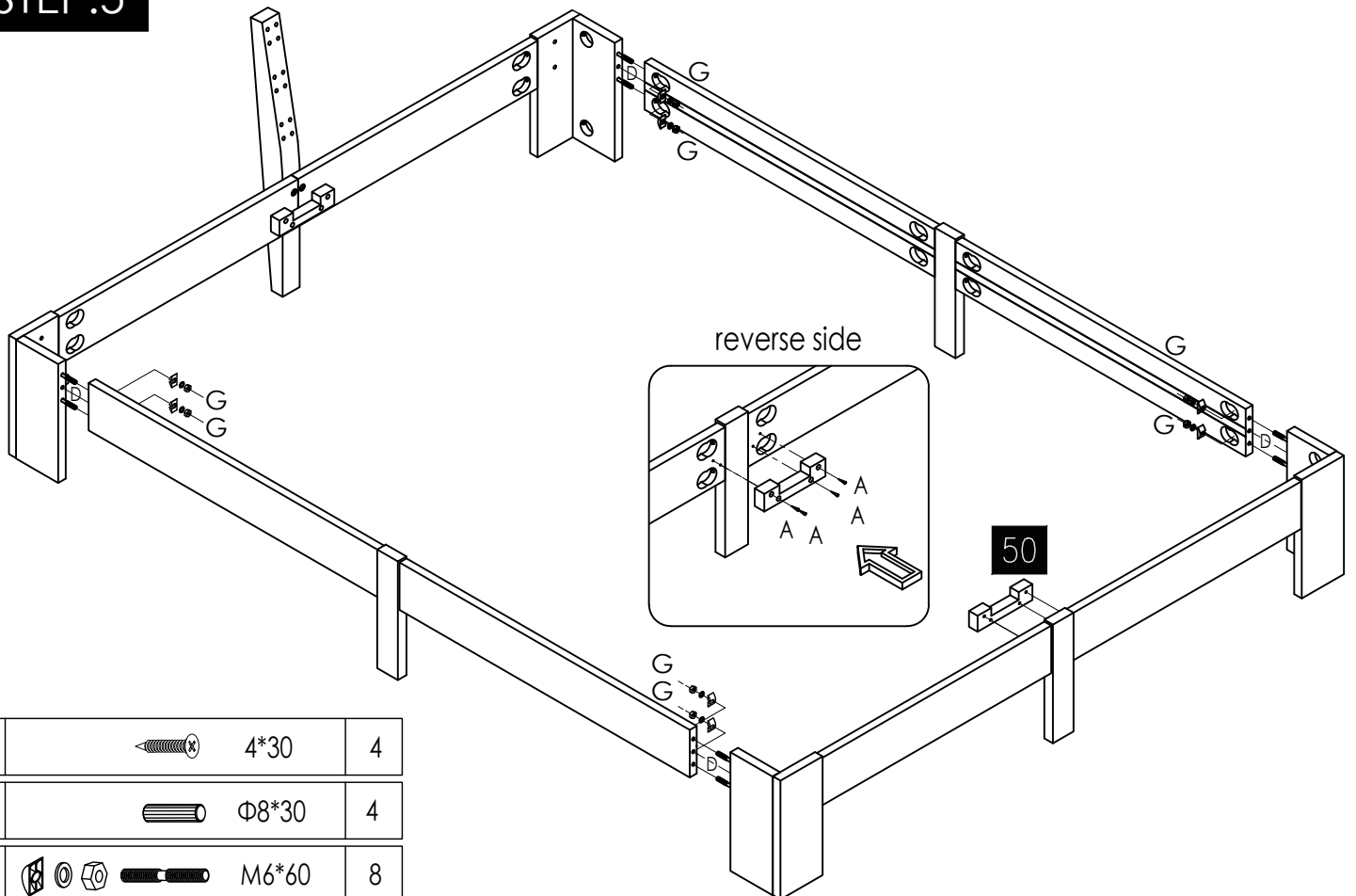
D		Φ8*30	4
E		M6*140	4




STEP:4



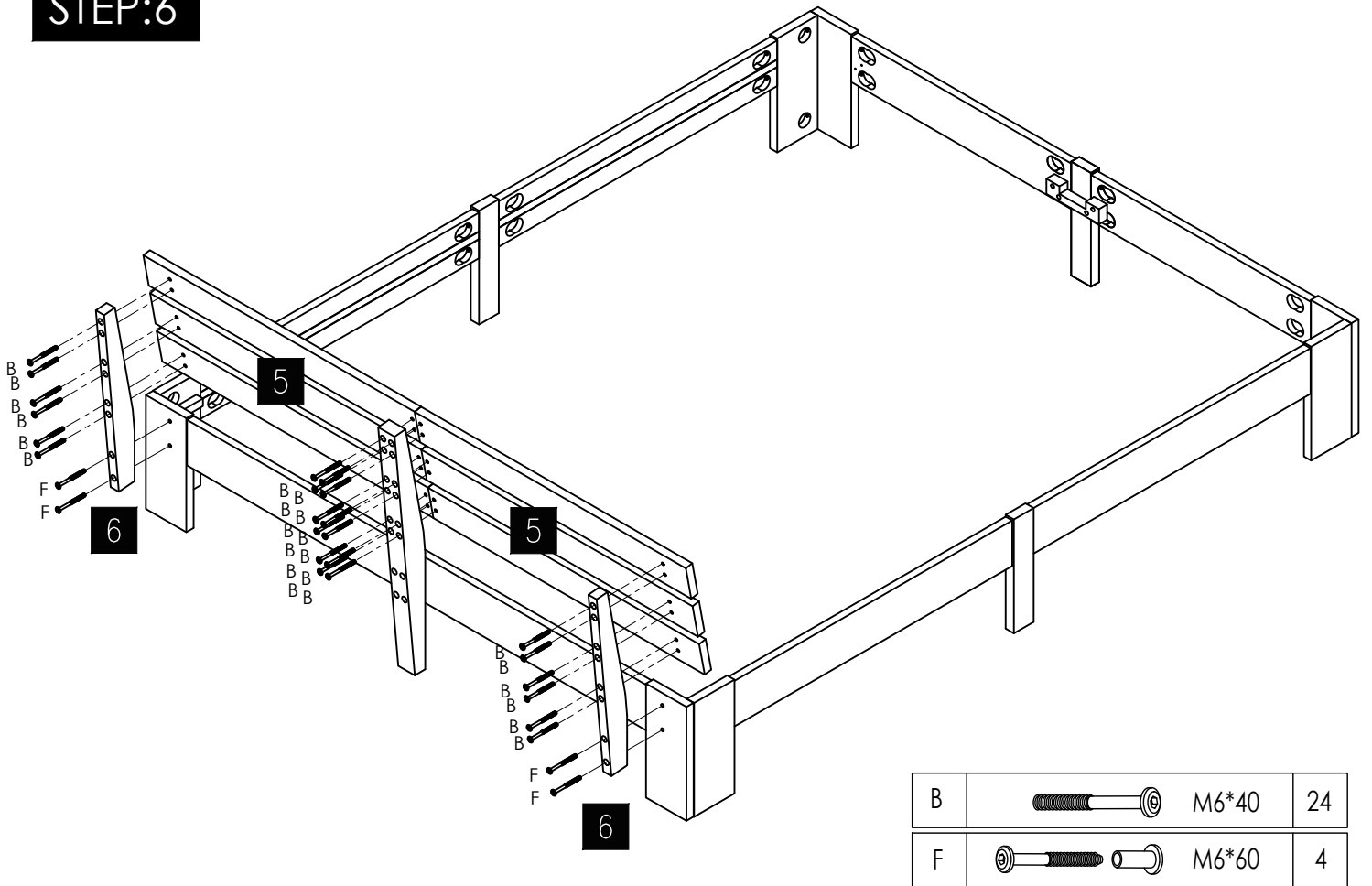
A		4*30	4
F		M6*60	4

STEP:5

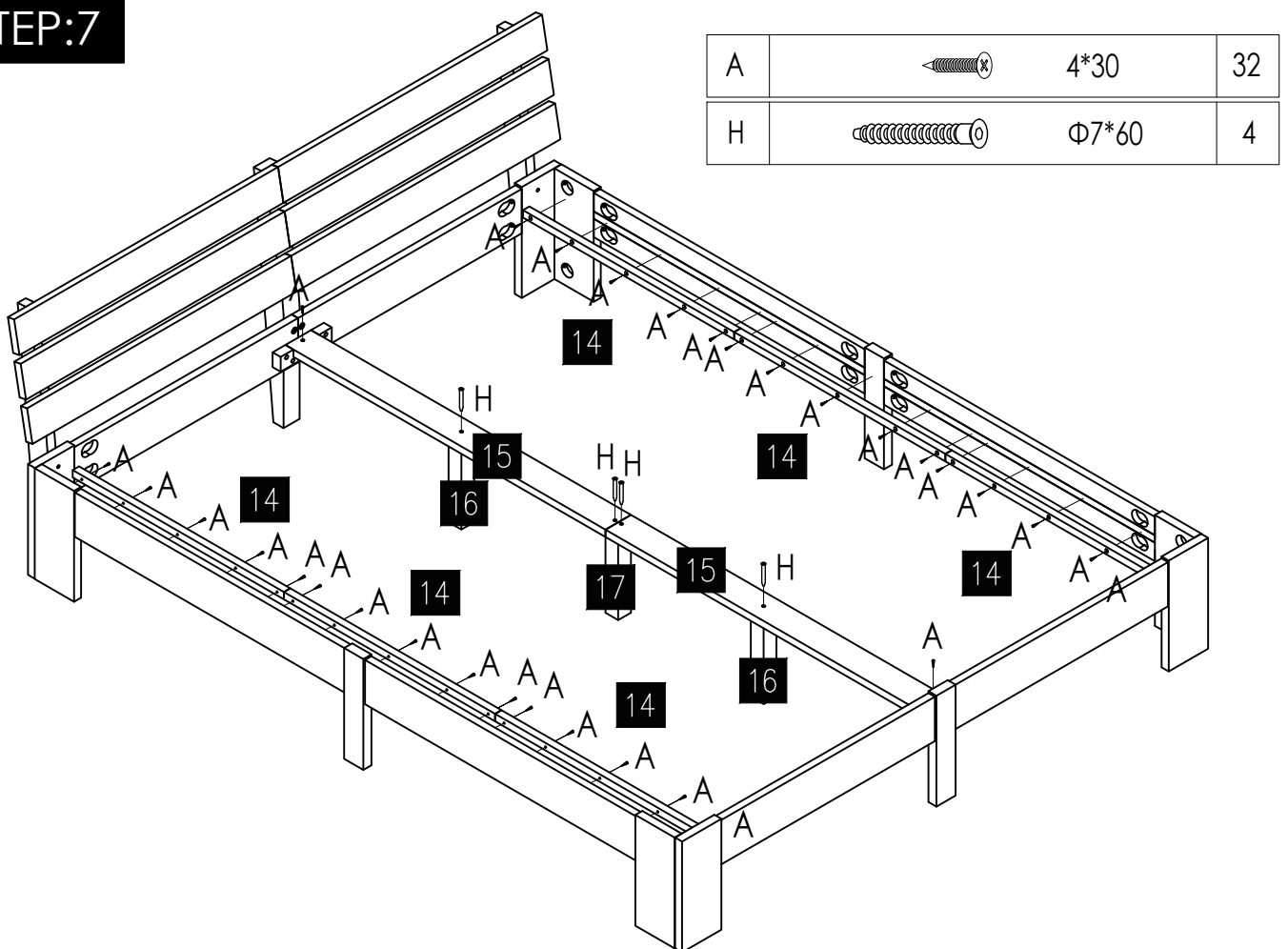


A		4*30	4
D		Φ8*30	4
G		M6*60	8

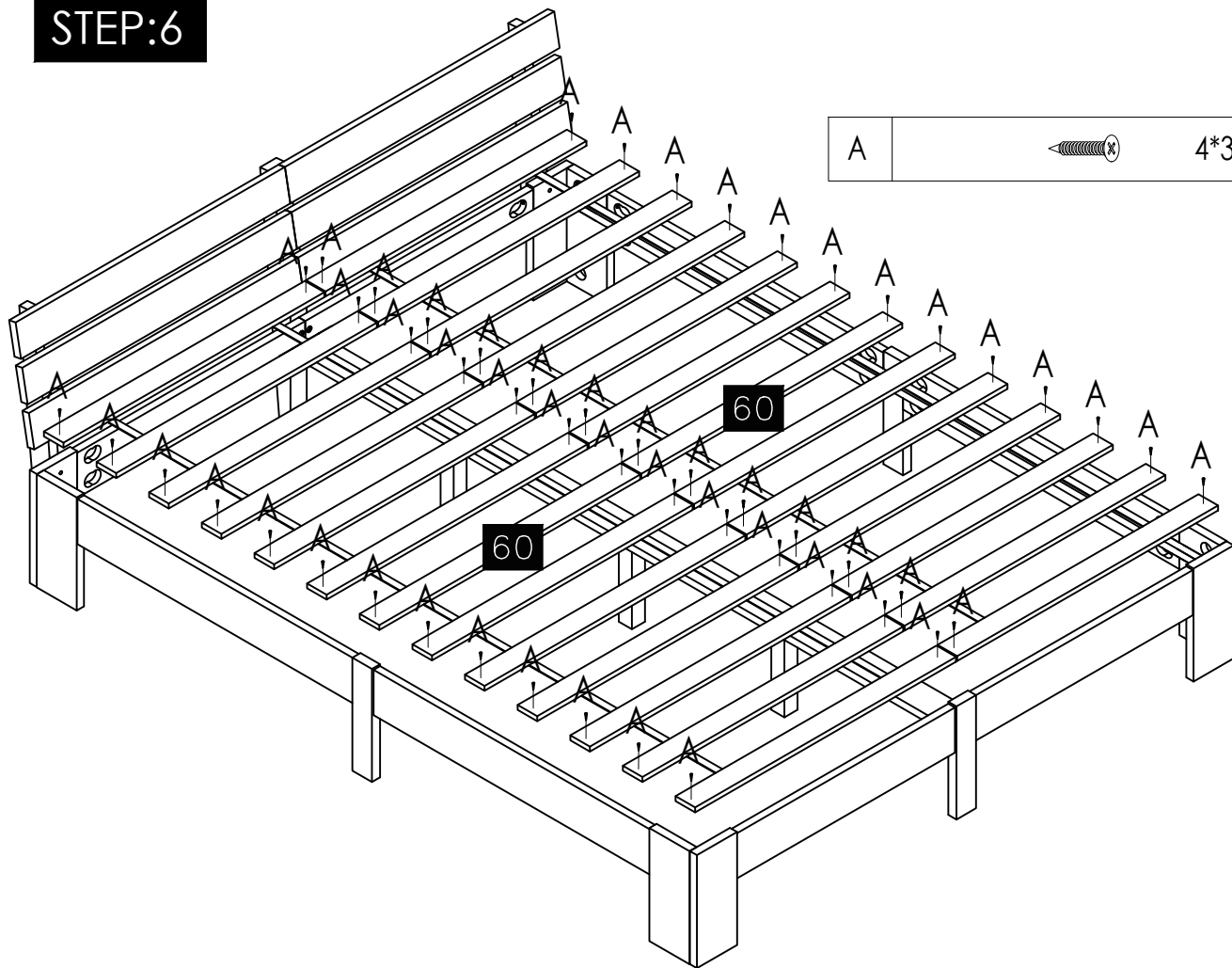
STEP:6




STEP:7

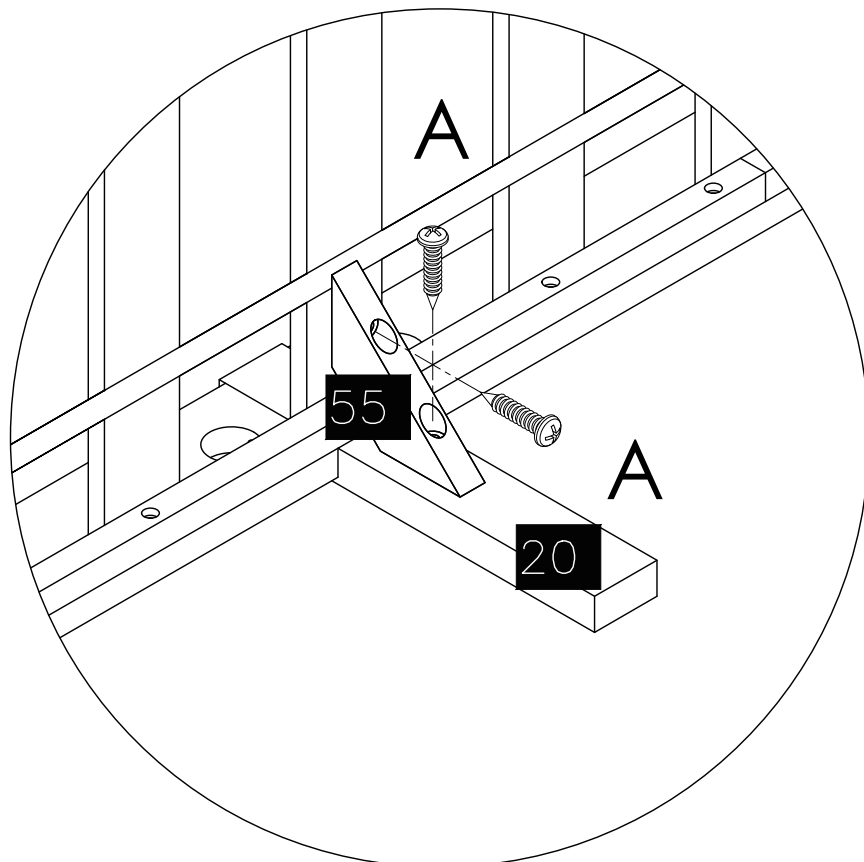


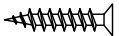
STEP:6



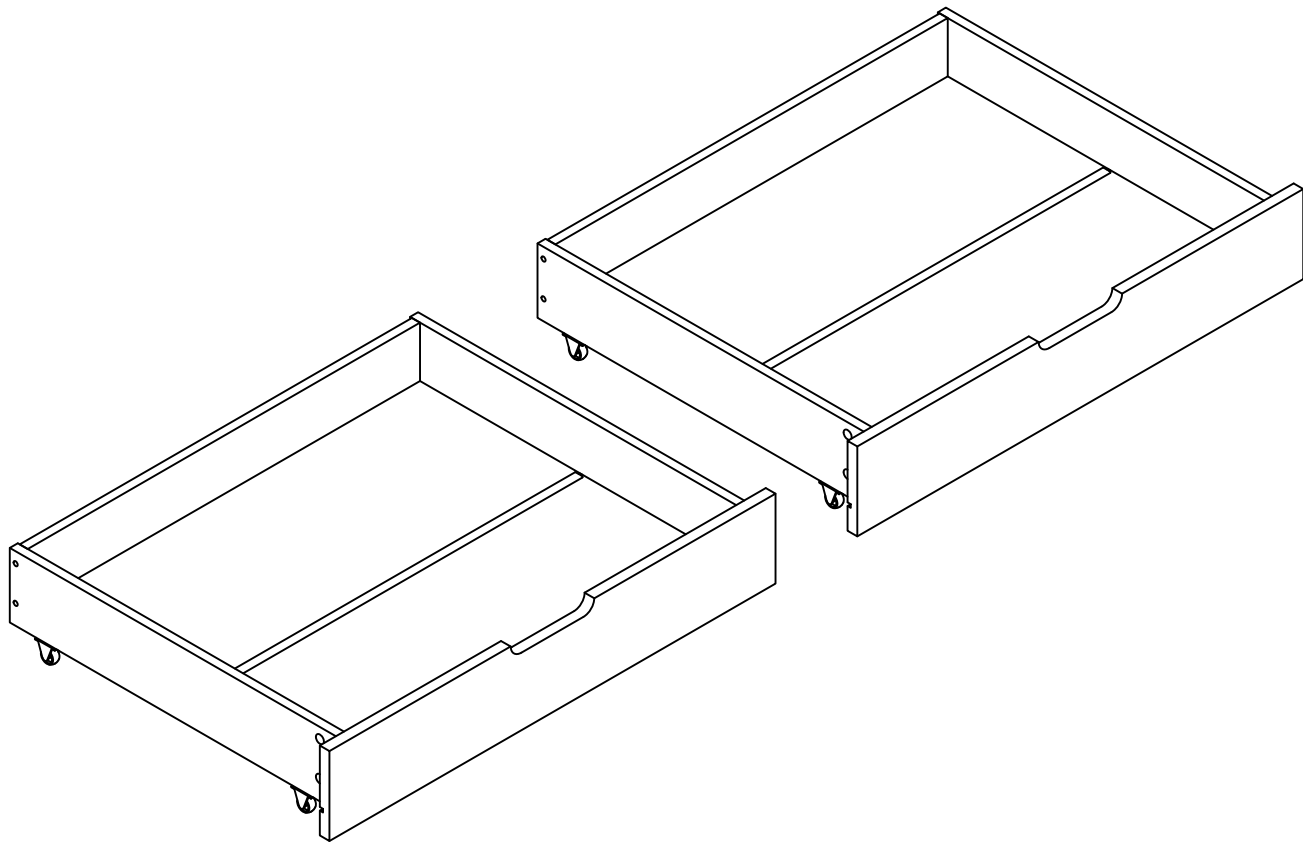
A		4*30	52
---	---	------	----


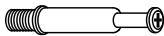


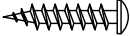

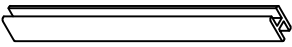

STEP:7

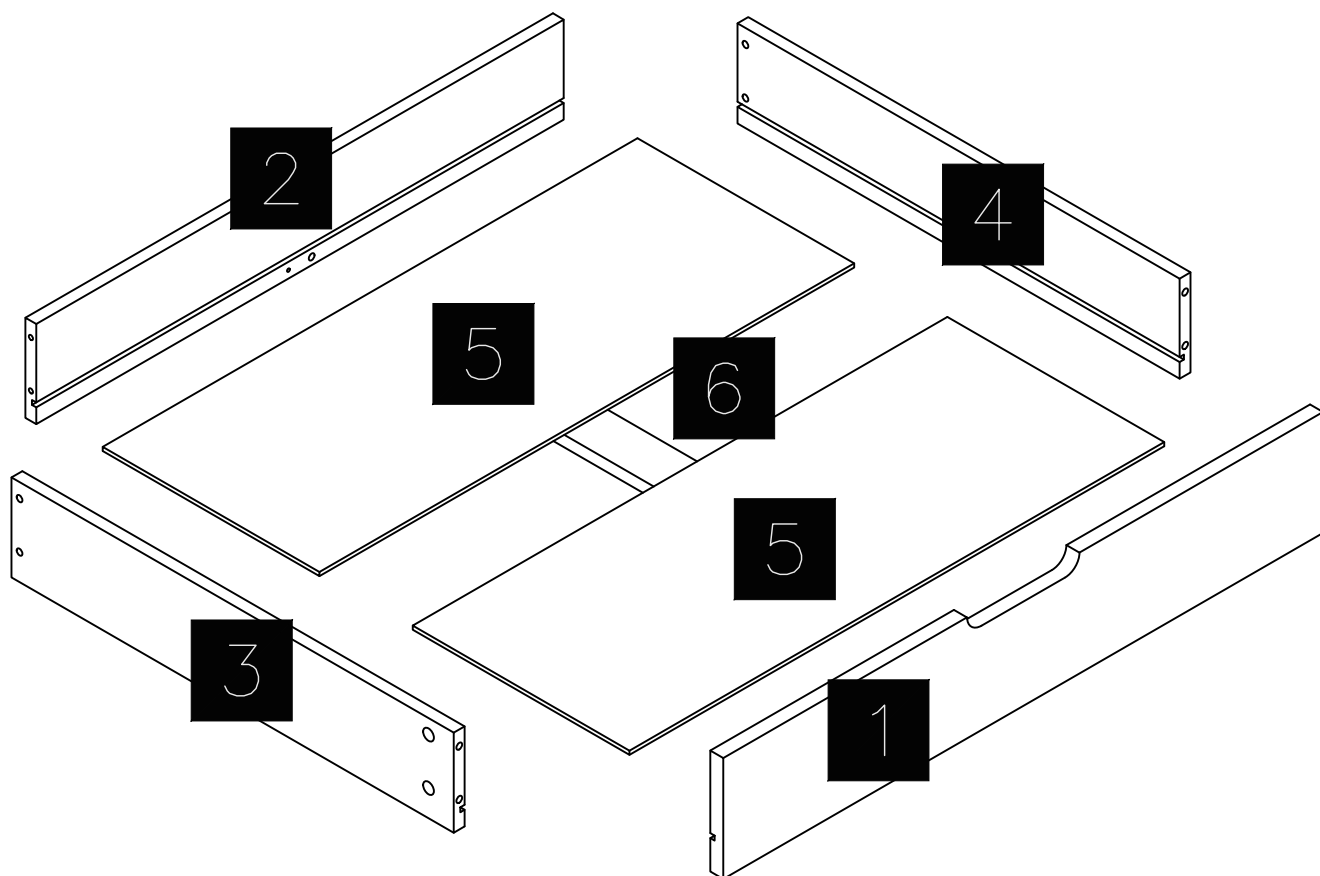
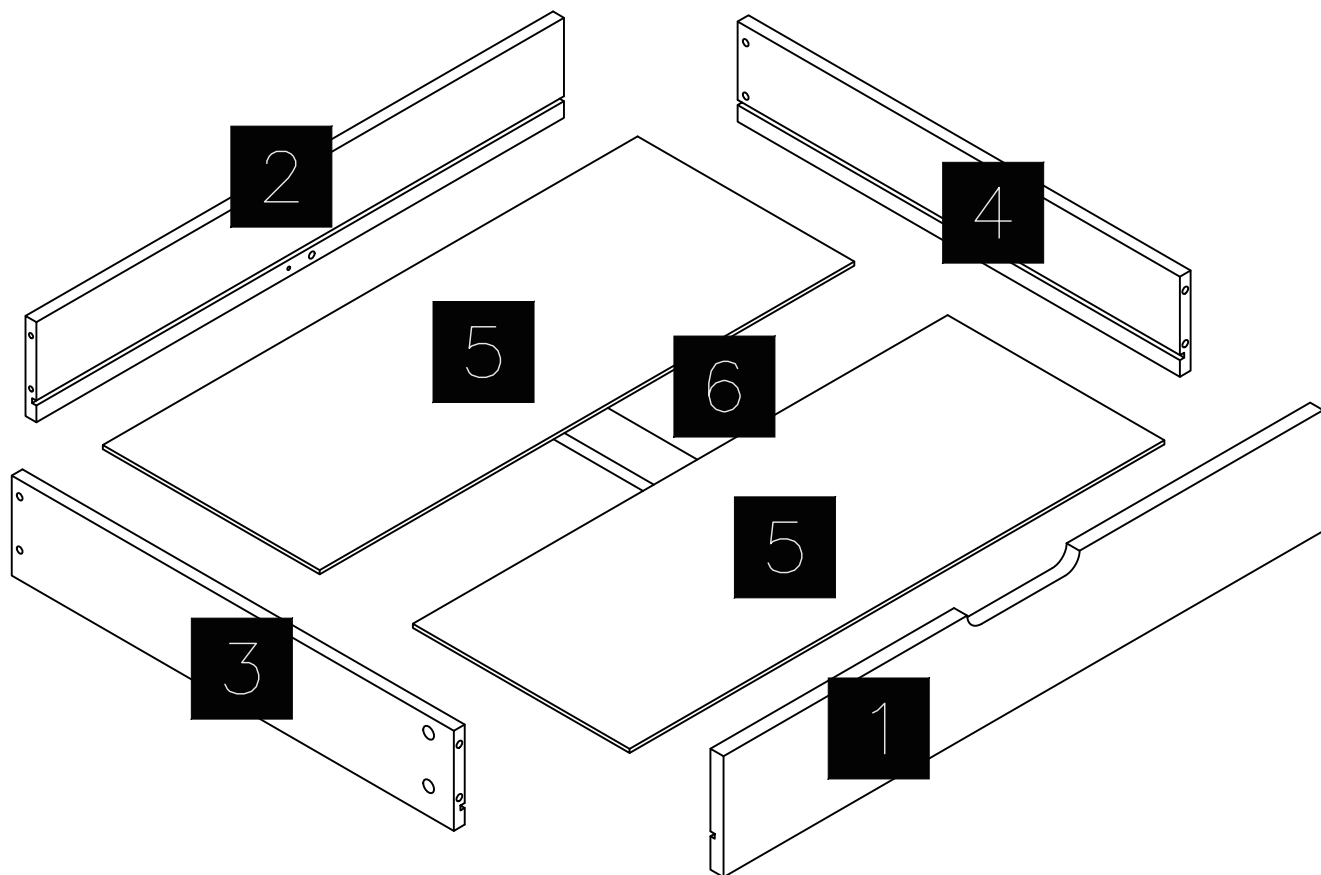


A		4*30	4
---	---	------	---

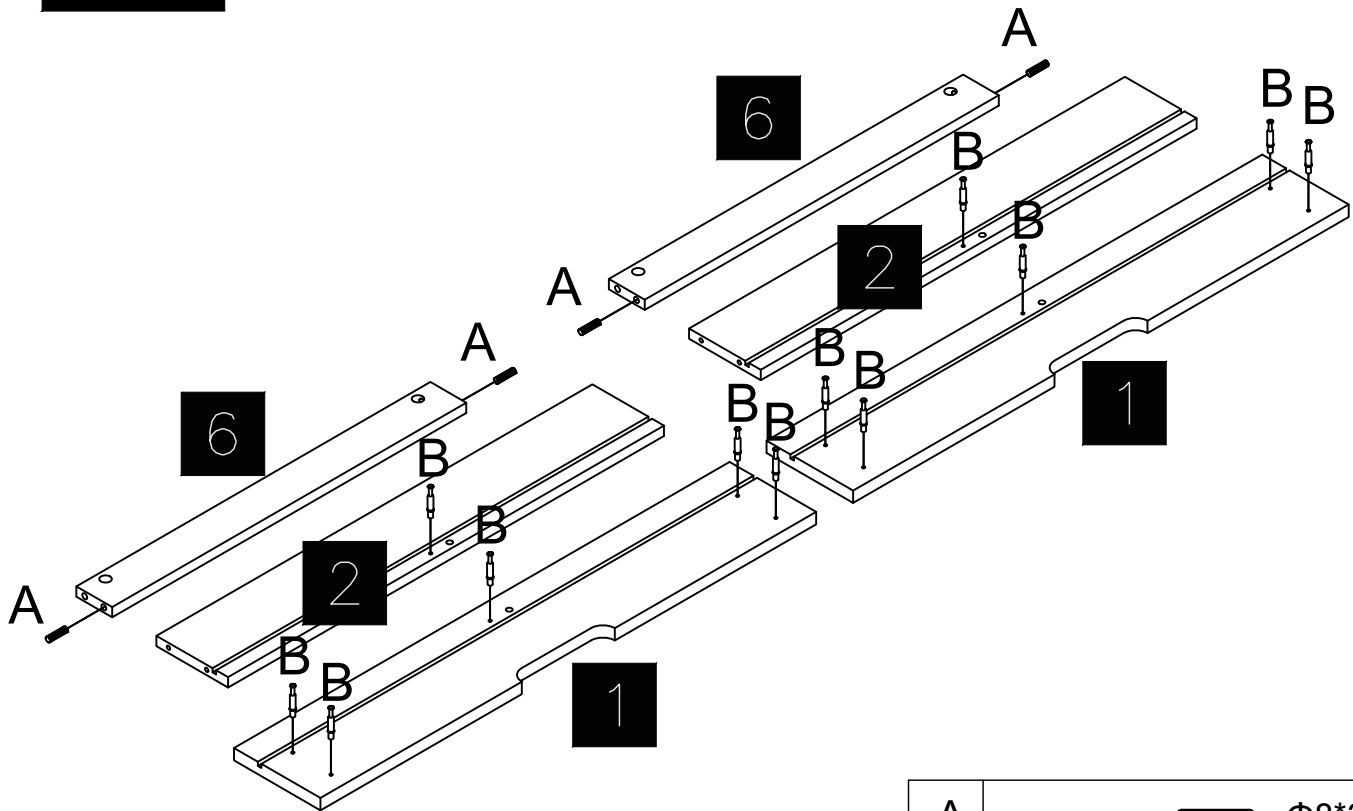
Item No:1910/1911/2040


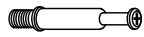


A	 $\Phi 8*30$	4
B		12
C	 $\Phi 7*50$	8
D		12
E	 $\Phi 3*16$	16
F	 35mm	8
G	 725mm	2
H		1

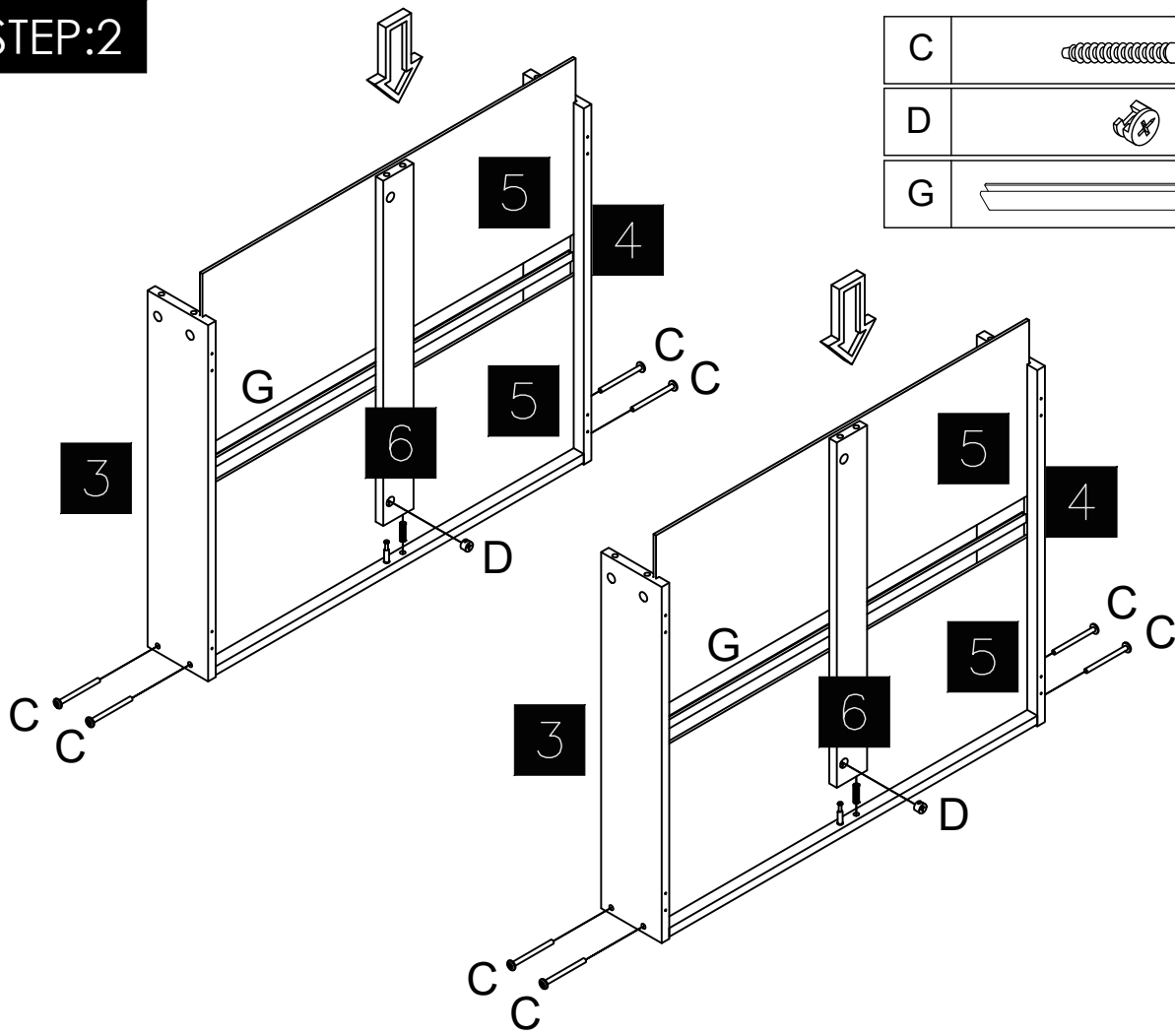





STEP:1



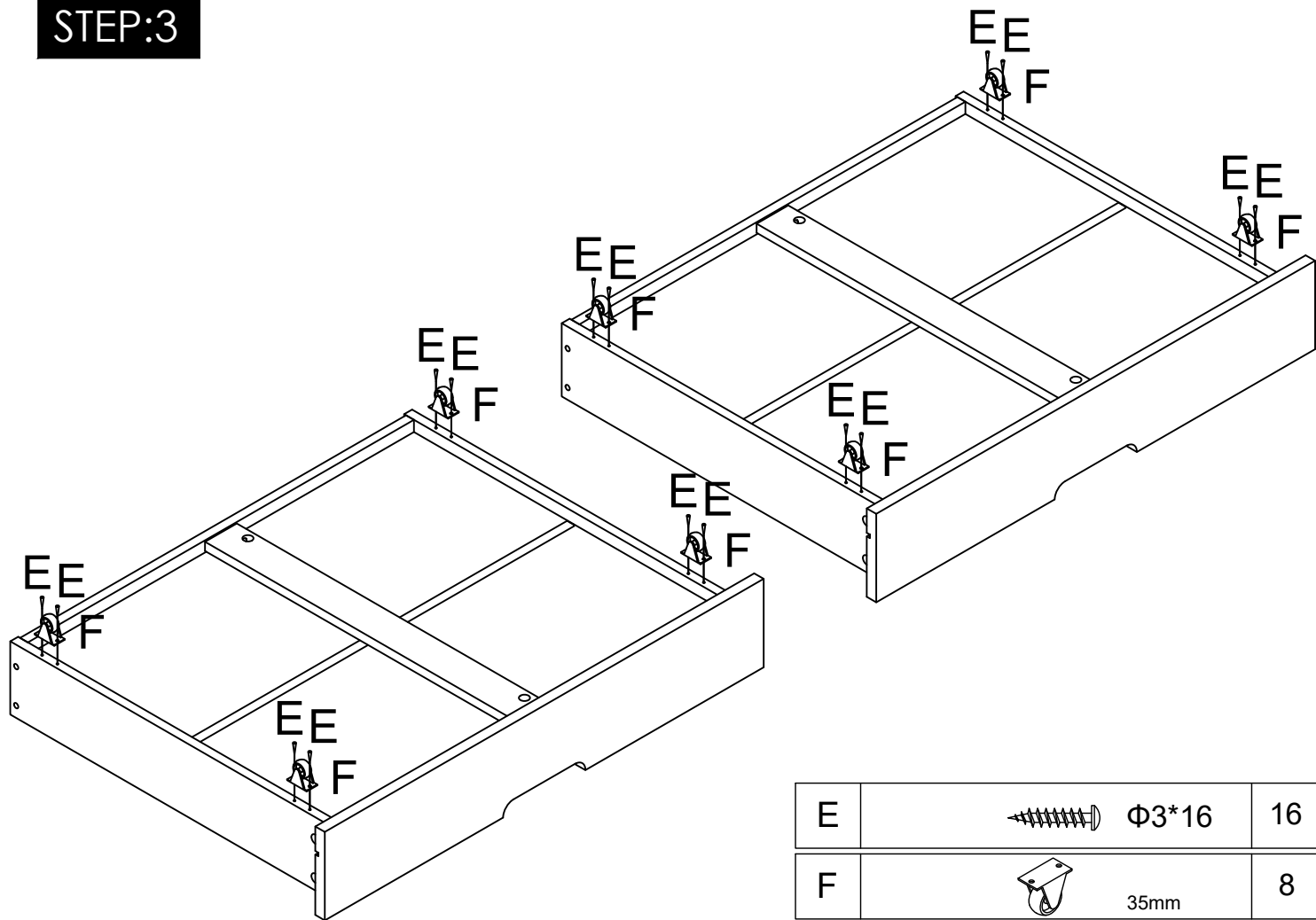
A		Φ8*30	4
B			12

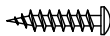

STEP:2



C		Φ7*50	8
D			2
G		725mm	2

STEP:3



E	 $\Phi 3*16$	16
F	 35mm	8