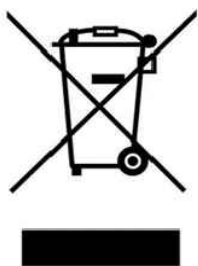
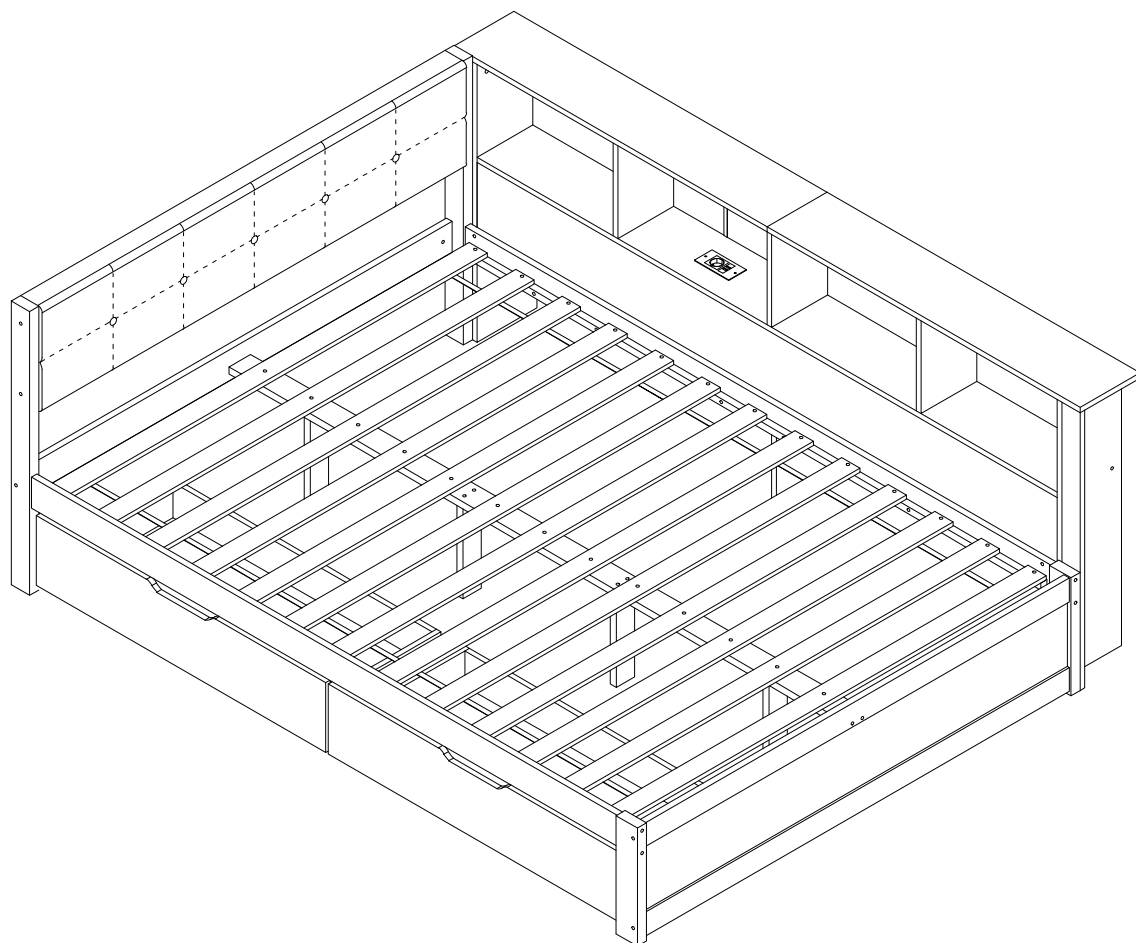


Installation sanleitung Installation Instruction Instruction d'installation



Points de collecte sur www.quefairedemesdechets.fr
Privilégiez la réparation ou le don de votre appareil !

Unser Produkt wird Ihnen in 3 Paketen geliefert. Die Lieferzeiten dieser 3 Pakete können abweichen, bitte haben Sie etwas Geduld und vielen Dank für Ihr Verständnis.

Our product will be delivered to you in 3 packages. The delivery times of these 3 packages may differ, please be patient and thank you for your understanding.

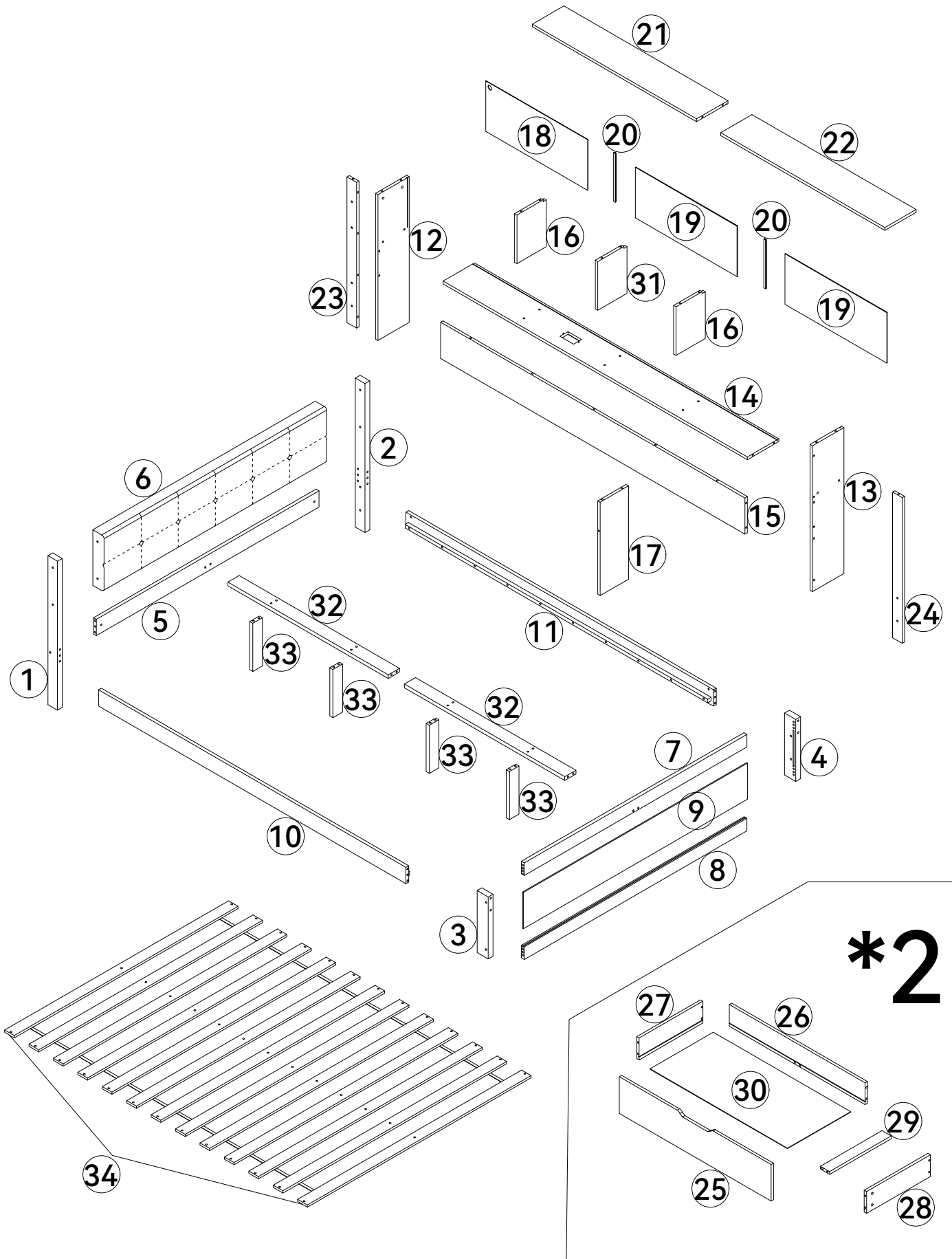
Notre produit vous sera livré en 3 colis. Les délais de livraison de ces 3 colis peuvent différer, soyez patient et merci pour votre compréhension.

N636P451290

N636P451291

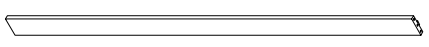



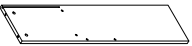

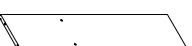

N636P451292

MONTAGEANLEITUNG/ASSEMBLY INSTRUCTIONS




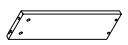




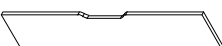

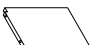


MONTAGEANLEITUNG/ASSEMBLY INSTRUCTIONS

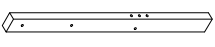

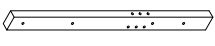

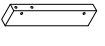

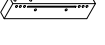

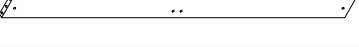

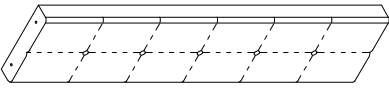
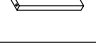
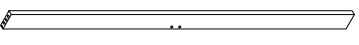
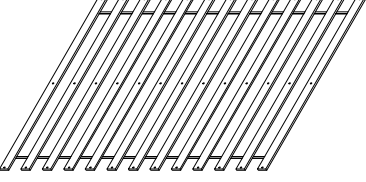

N636P451290

| | | | | | |
|----|---|-----|----|--|-----|
| 10 |  | 1PC | 14 |  | 1PC |
| 11 |  | 1PC | 15 |  | 1PC |
| 12 |  | 1PC | 21 |  | 1PC |
| 13 |  | 1PC | 22 |  | 1PC |

N636P451291








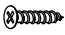

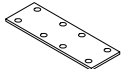
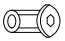
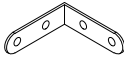


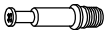
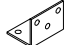




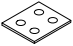

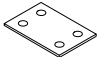
| | | | | | |
|----|---|------|----|--|------|
| 16 |  | 2PCS | 27 |  | 2PCS |
| 17 |  | 1PC | 28 |  | 2PCS |
| 23 |  | 1PC | 29 |  | 2PCS |
| 24 |  | 1PC | 30 |  | 2PCS |
| 25 |  | 2PCS | | | |
| 26 |  | 2PCS | 31 |  | 1PC |

N636P451292

| | | | | | |
|---|---|-----|----|--|------|
| 1 |  | 1PC | 9 |  | 1PC |
| 2 |  | 1PC | 18 |  | 1PC |
| 3 |  | 1PC | 19 |  | 2PCS |
| 4 |  | 1PC | 20 |  | 2PCS |
| 5 |  | 1PC | 32 |  | 2PCS |
| 6 |  | 1PC | 33 |  | 4PCS |
| 7 |  | 1PC | 34 |  | 1PC |
| 8 |  | 1PC | | | |

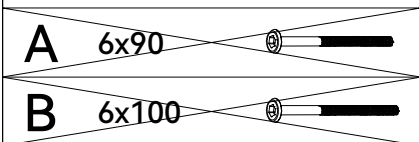
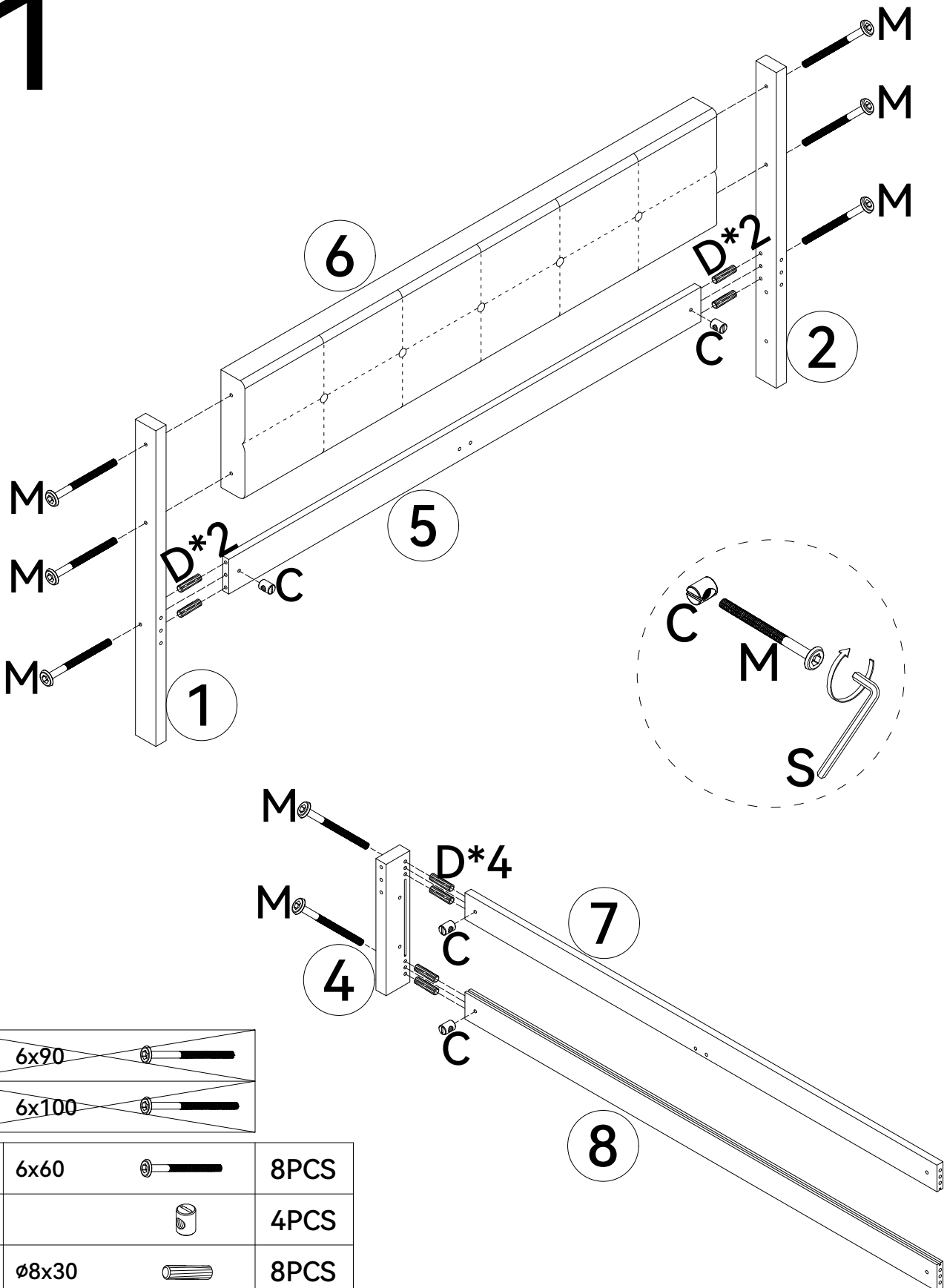
MONTAGEANLEITUNG/ASSEMBLY INSTRUCTIONS

N636P451292

| | | | | | | | |
|----------|-------|---|-------|----------|------|---|-------|
| A | 6x90 |  | 4PCS | M | 6x60 |  | 10PCS |
| B | 6x100 |  | 4PCS | N | 7x50 |  | 12PCS |
| C | |  | 14PCS | O | |  | 8PCS |
| D | ∅8x30 |  | 20PCS | P | 3x25 |  | 39PCS |
| E | 6x40 |  | 4PCS | Q | |  | 1PC |
| F | 6x10 |  | 4PCS | R | |  | 1PC |
| G | 5x40 |  | 28PCS | S | M4 |  | 2PCS |
| H | |  | 40PCS | T | |  | 2PCS |
| I | |  | 40PCS | U | |  | 1PC |
| J | 3x14 |  | 52PCS | V | |  | 4PCS |
| K | |  | 2PCS | W | |  | 1PC |
| L | |  | 1PC | | | | |

MONTAGEANLEITUNG/ASSEMBLY INSTRUCTIONS

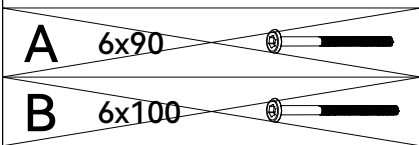
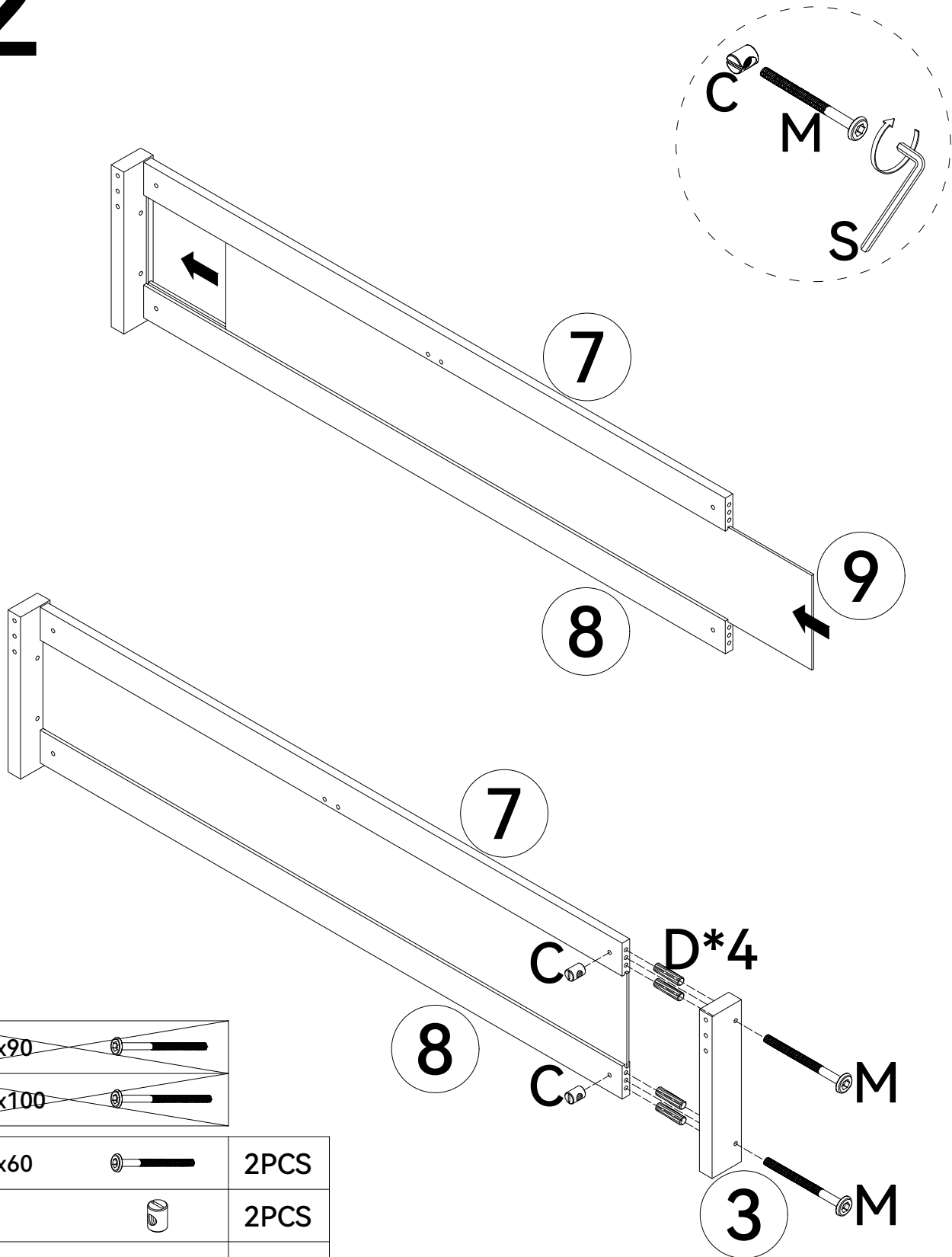
1



| | | | |
|---|-------|--|------|
| M | 6x60 | | 8PCS |
| C | | | 4PCS |
| D | ø8x30 | | 8PCS |
| S | M4 | | 1PC |

MONTAGEANLEITUNG/ASSEMBLY INSTRUCTIONS

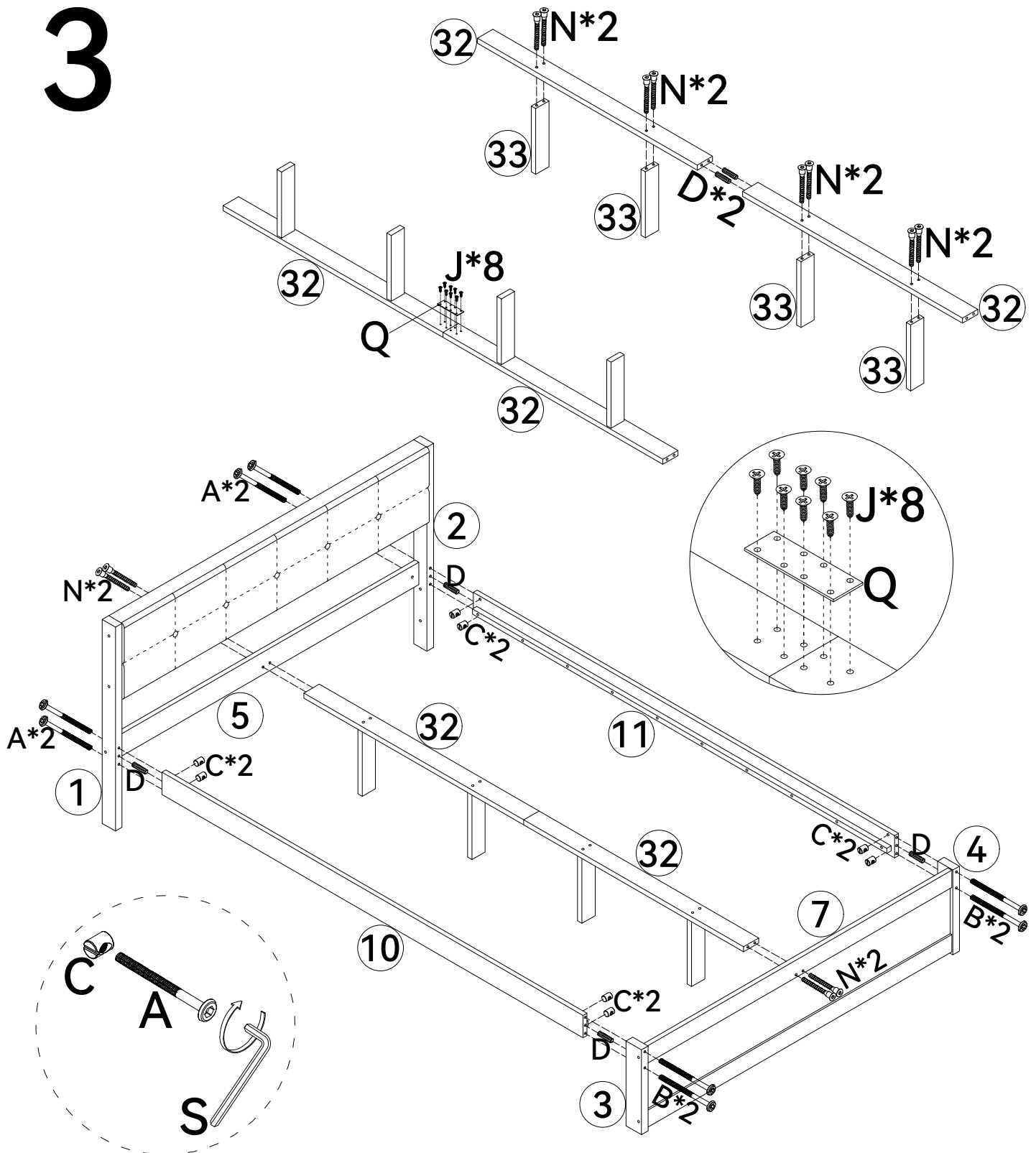
2



| | | | |
|---|-------|--|------|
| M | 6x60 | | 2PCS |
| C | | | 2PCS |
| D | ø8x30 | | 4PCS |
| S | M4 | | 1PC |

MONTAGEANLEITUNG/ASSEMBLY INSTRUCTIONS

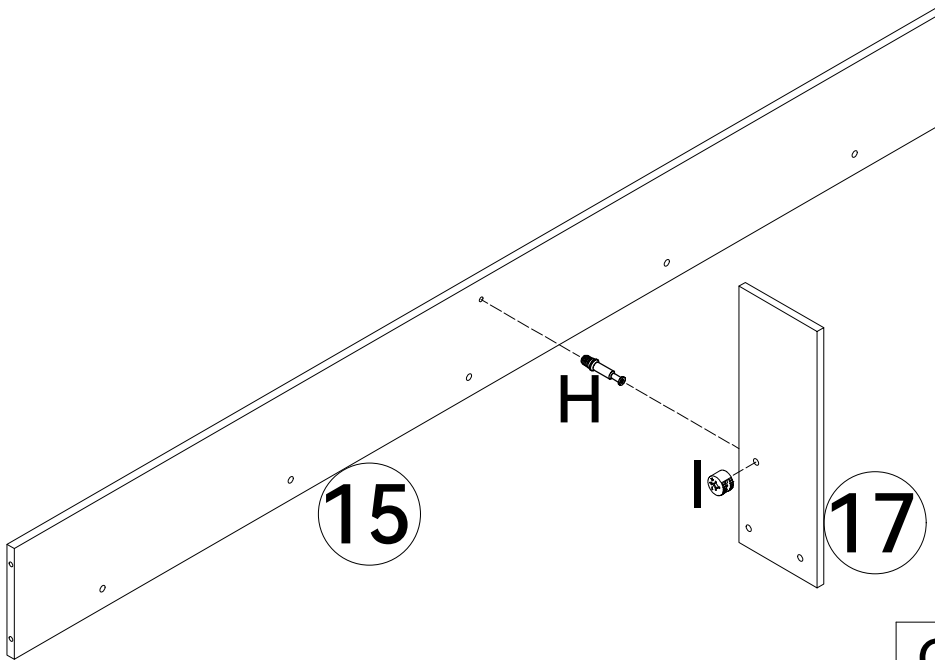
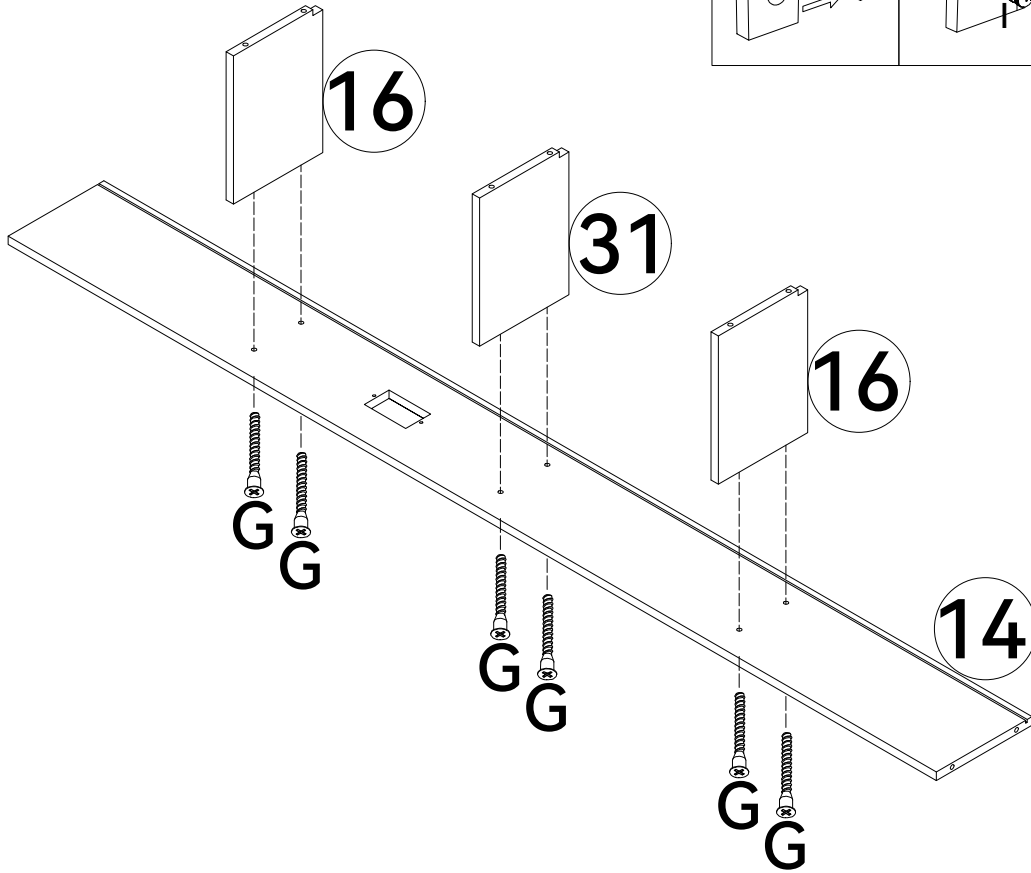
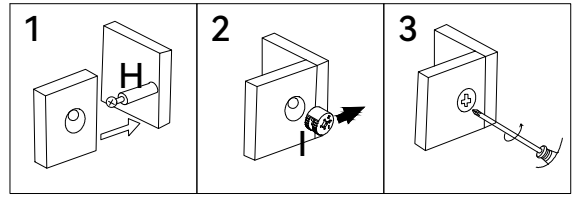
3



| | | | | | | | | | | | |
|---|-------|--|------|---|-------|--|-------|---|------|--|-----|
| A | 6x90 | | 4PCS | D | ∅8x30 | | 6PCS | M | 6x60 | | |
| B | 6x100 | | 4PCS | J | 3x14 | | 8PCS | Q | | | 1PC |
| C | | | 8PCS | N | 7x50 | | 12PCS | S | M4 | | 1PC |

MONTAGEANLEITUNG/ASSEMBLY INSTRUCTIONS

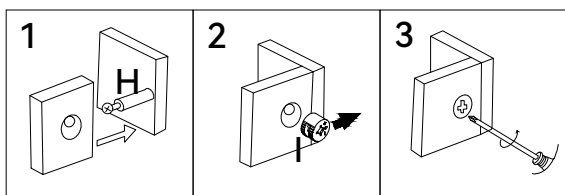
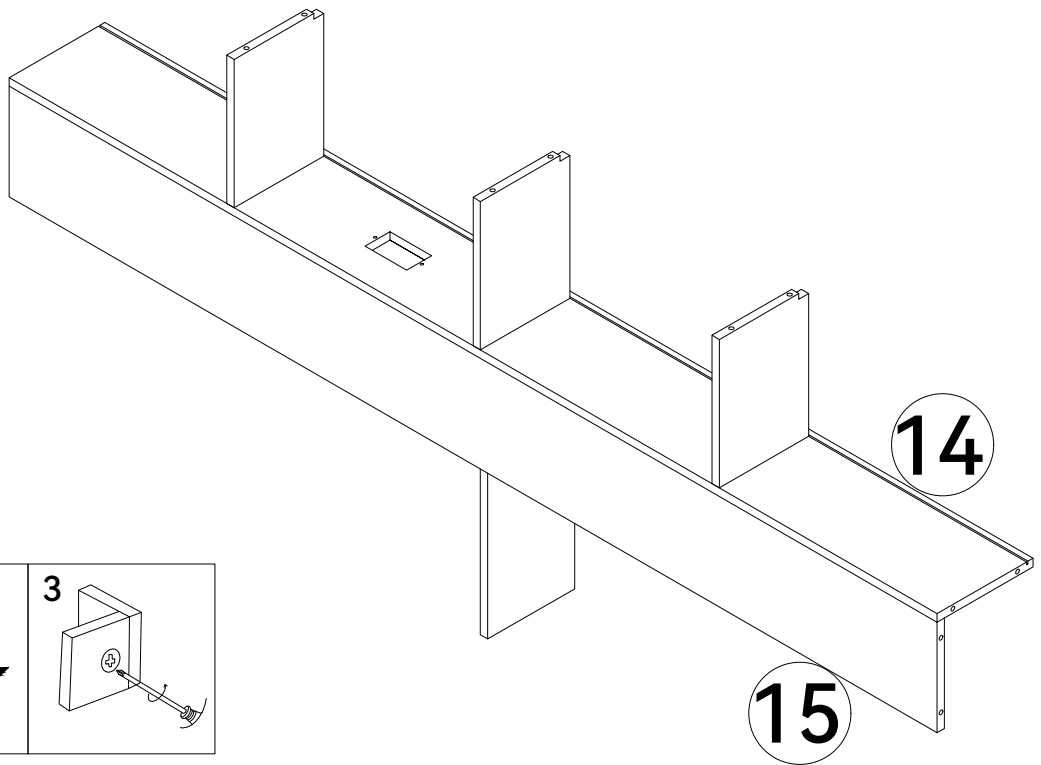
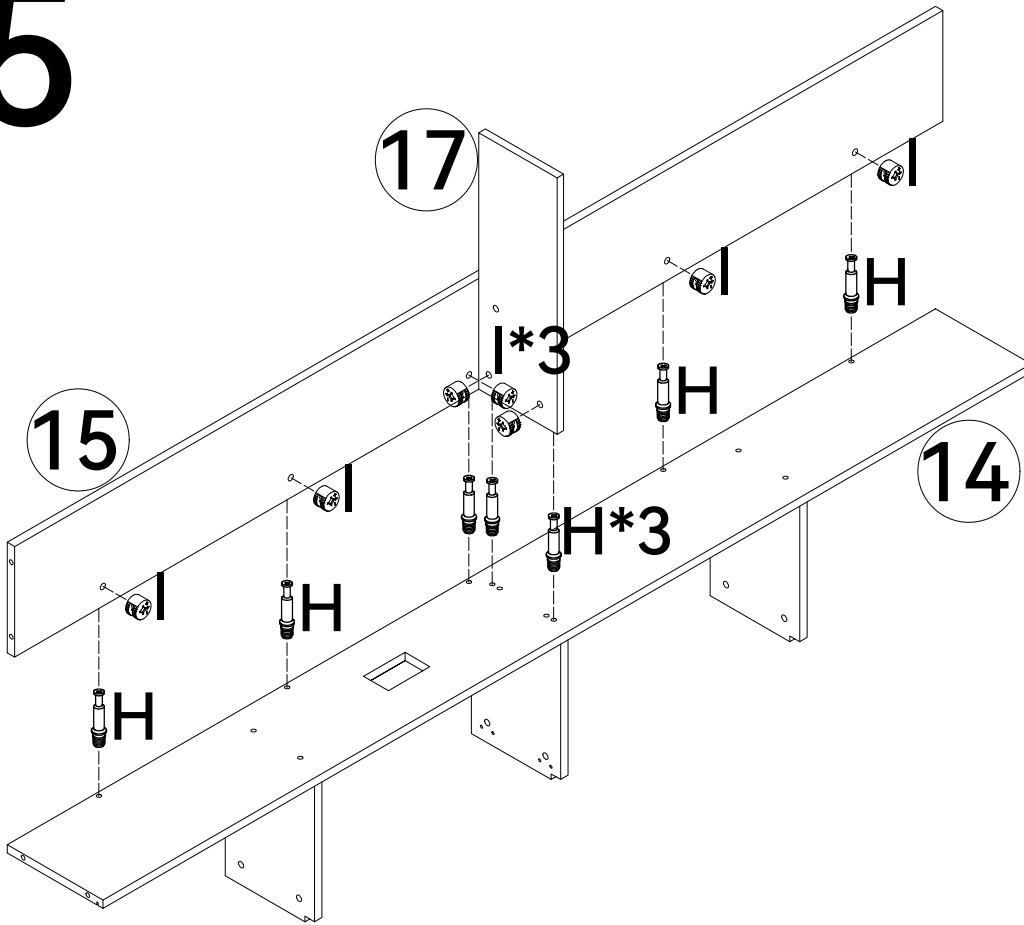
4

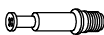



| | | | |
|---|------|--|------|
| G | 5x40 | | 6PCS |
| H | | | 1PC |
| I | | | 1PC |

MONTAGEANLEITUNG/ASSEMBLY INSTRUCTIONS

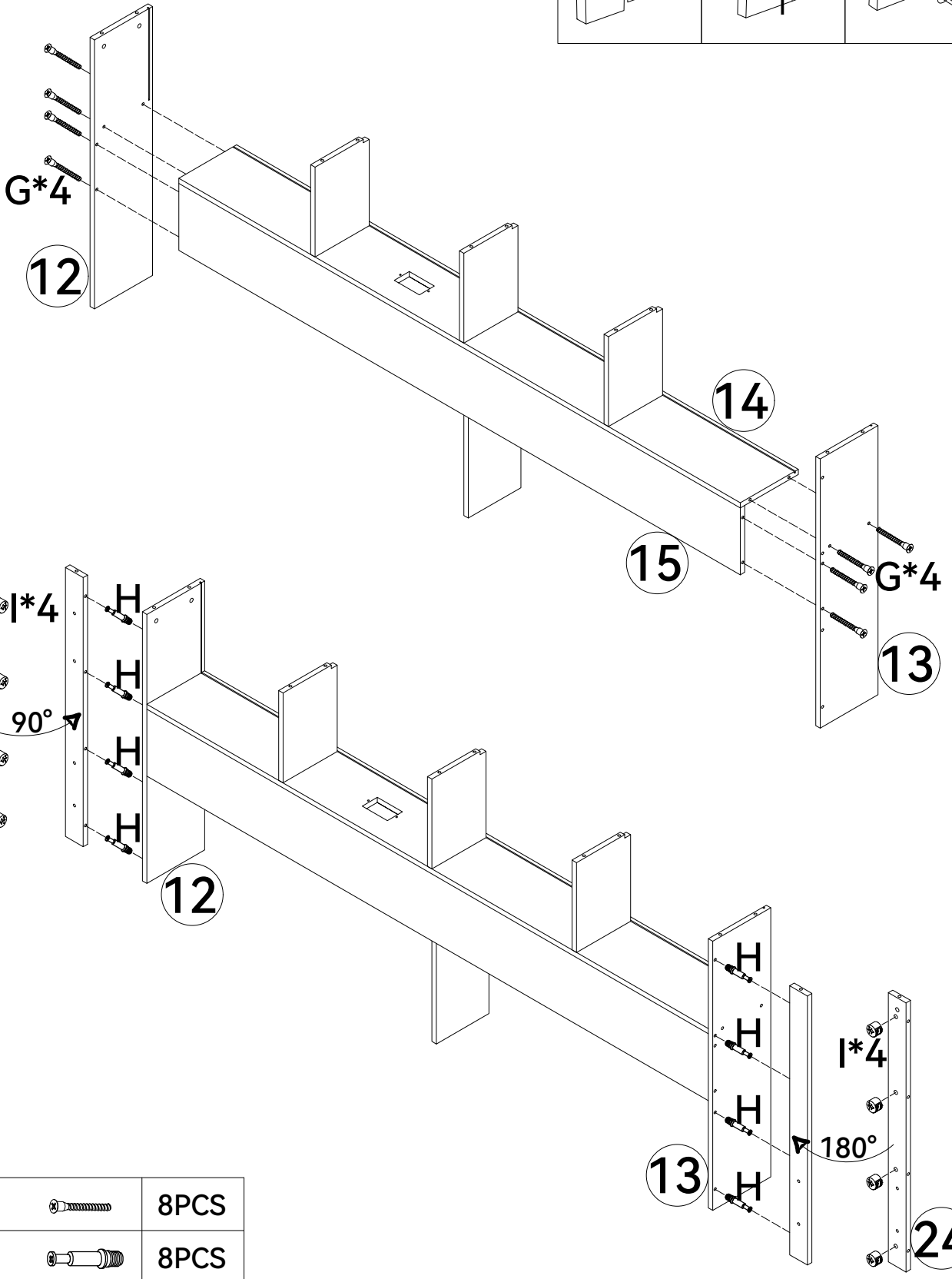
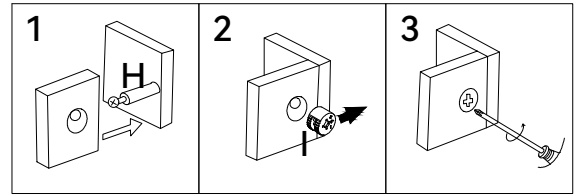
5



| | | | | | |
|---|---|------|---|---|------|
| H |  | 7PCS | I |  | 7PCS |
|---|---|------|---|---|------|

MONTAGEANLEITUNG/ASSEMBLY INSTRUCTIONS

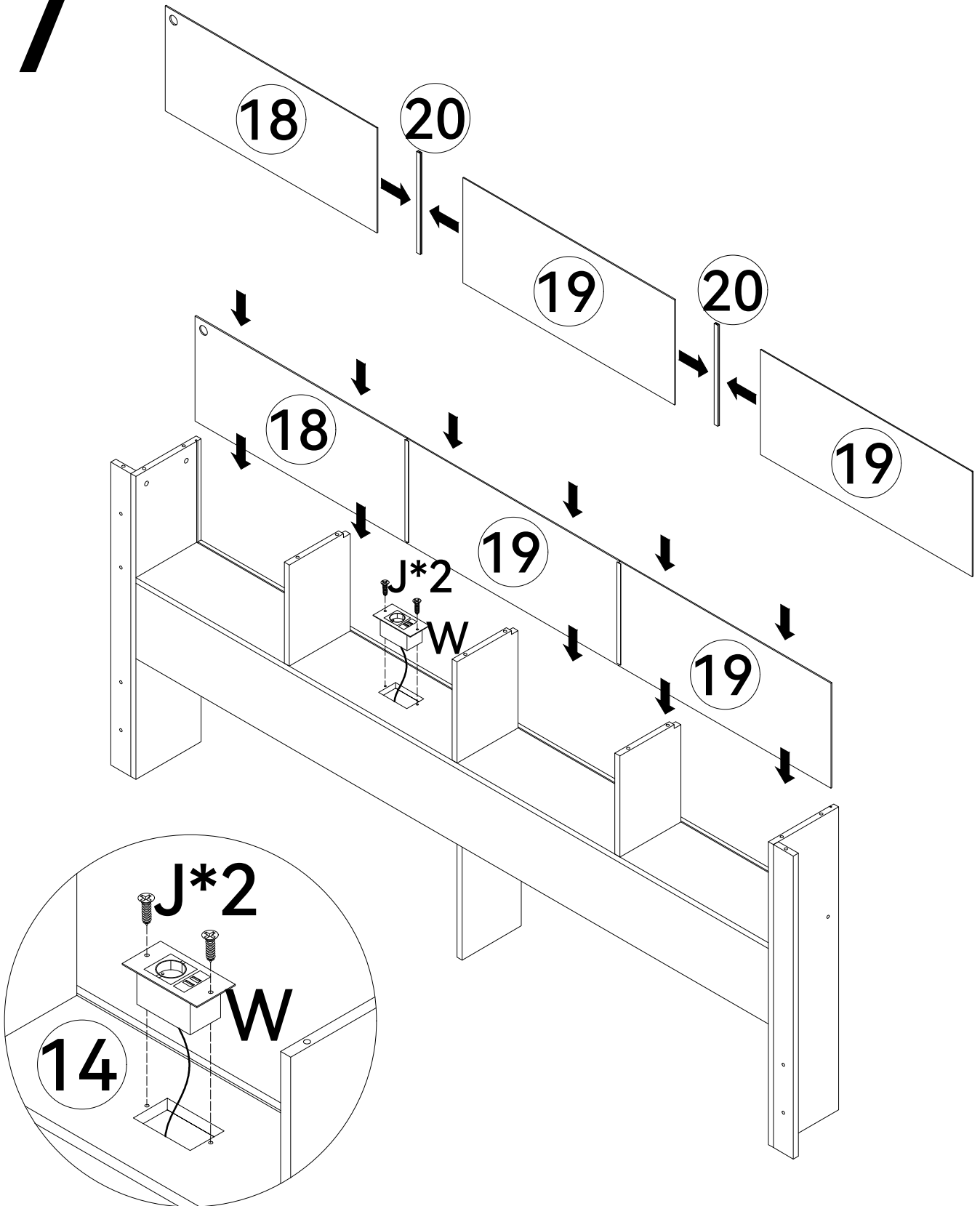
6





| | | | |
|---|------|--|------|
| G | 5x40 | | 8PCS |
| H | | | 8PCS |
| I | | | 8PCS |

MONTAGEANLEITUNG/ASSEMBLY INSTRUCTIONS

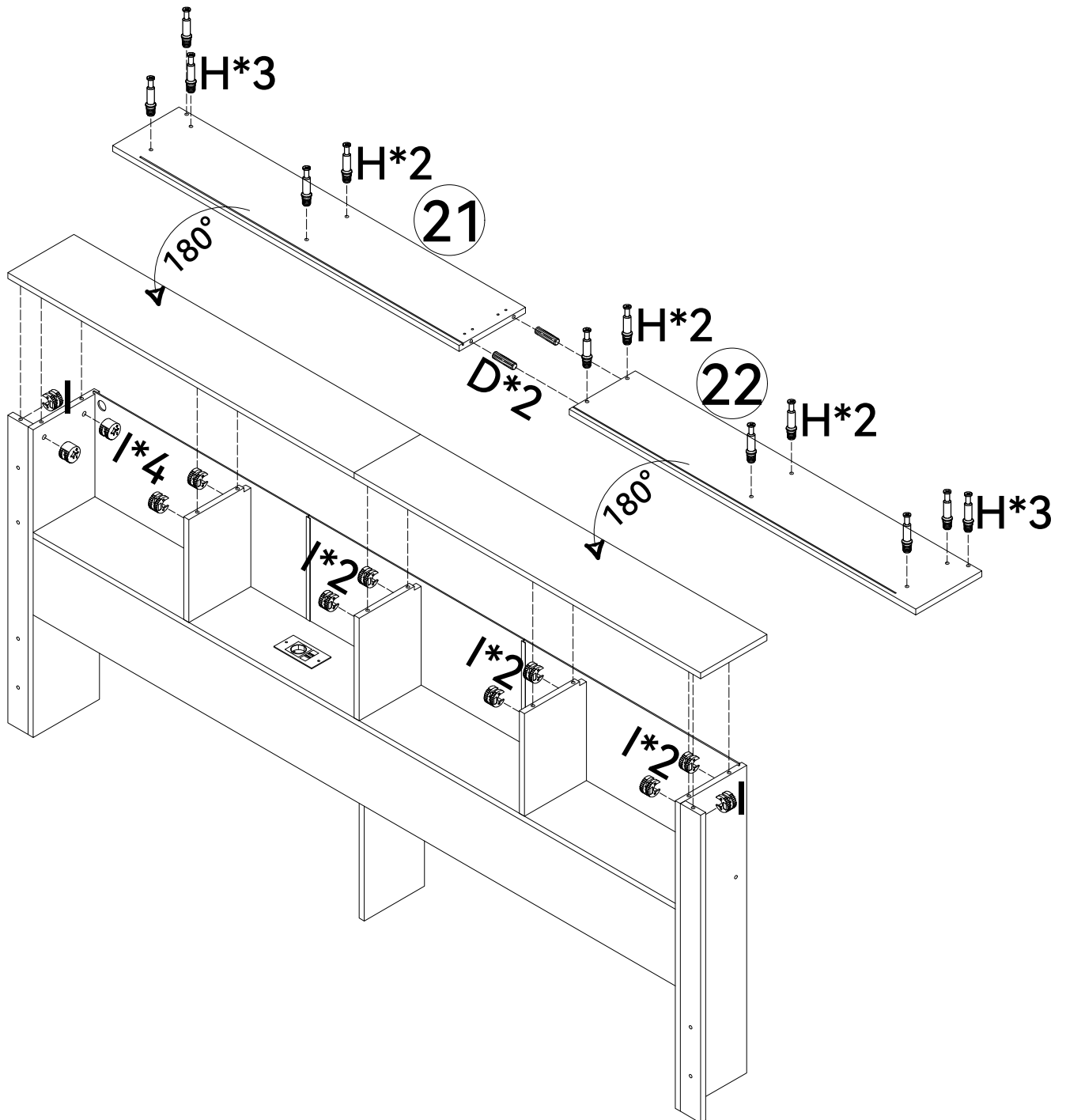
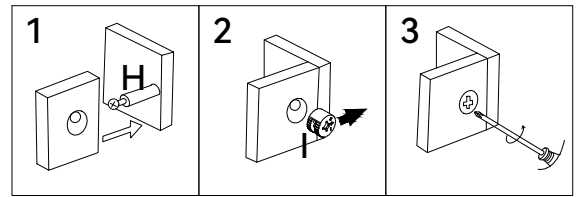
7


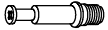



| | | | | | | |
|---|------|---|------|---|---|-----|
| J | 3x14 |  | 2PCS | W |  | 1PC |
|---|------|---|------|---|---|-----|

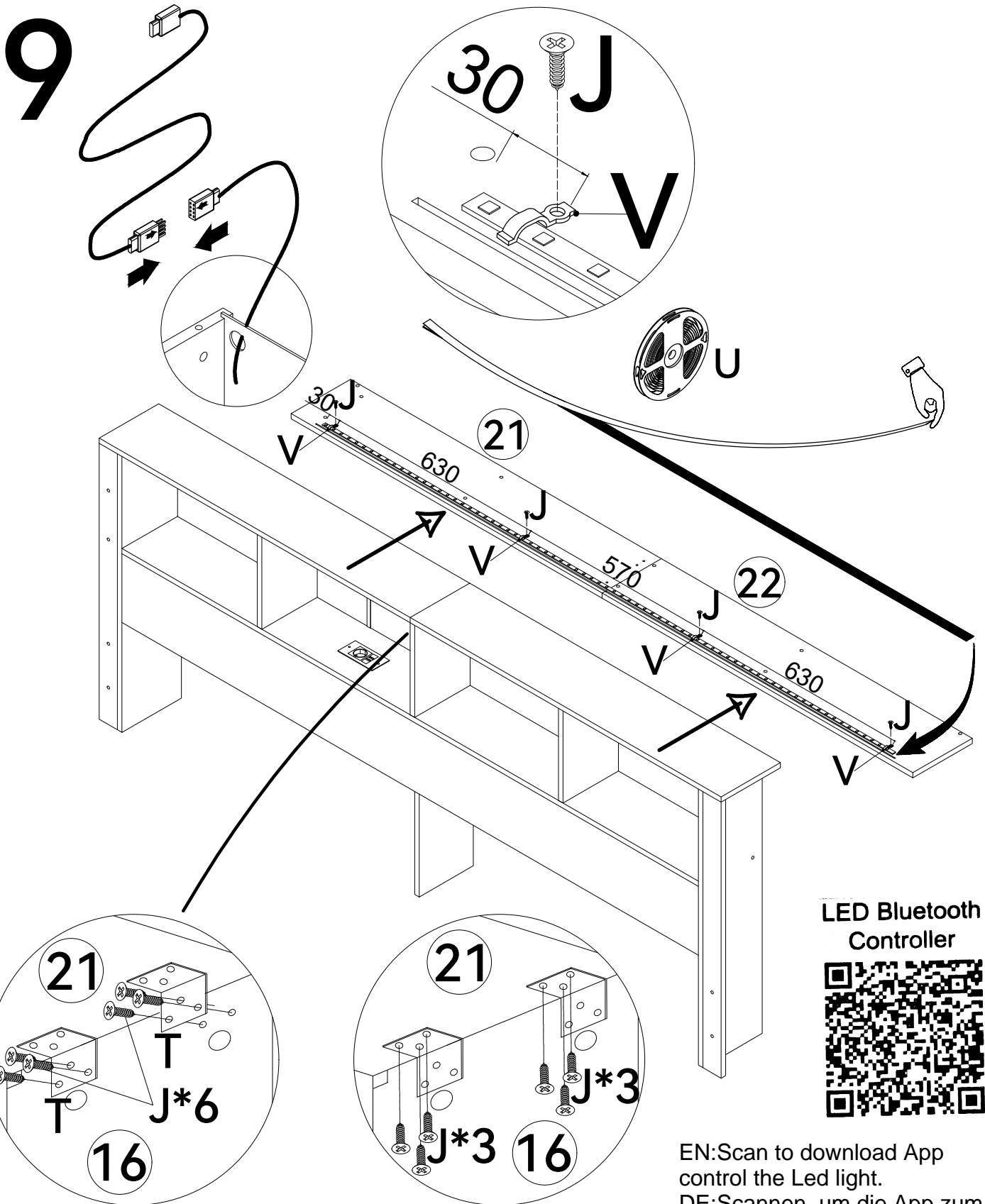
MONTAGEANLEITUNG/ASSEMBLY INSTRUCTIONS

8



| | | | | | | | | | |
|----------|-------|---|------|----------|---|-------|----------|---|-------|
| D | ∅8x30 |  | 2PCS | H |  | 12PCS | I |  | 12PCS |
|----------|-------|---|------|----------|---|-------|----------|---|-------|

MONTAGEANLEITUNG/ASSEMBLY INSTRUCTIONS



LED Bluetooth Controller

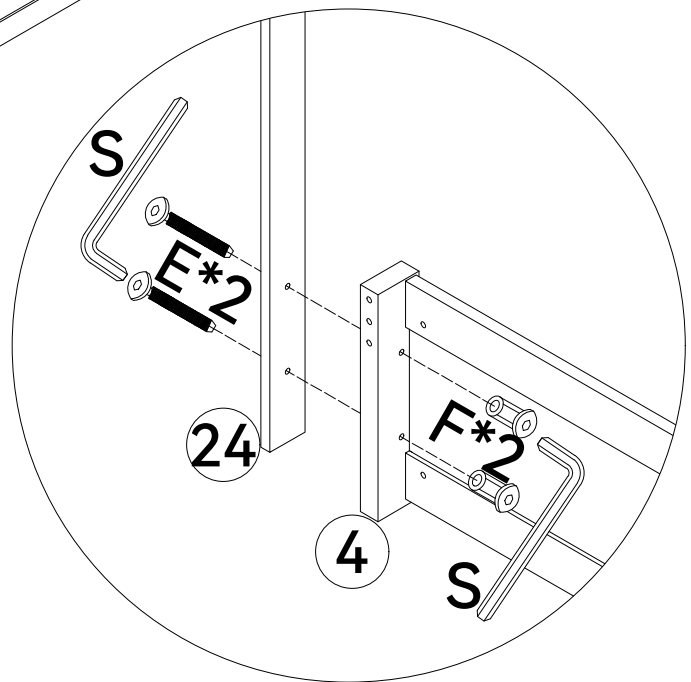
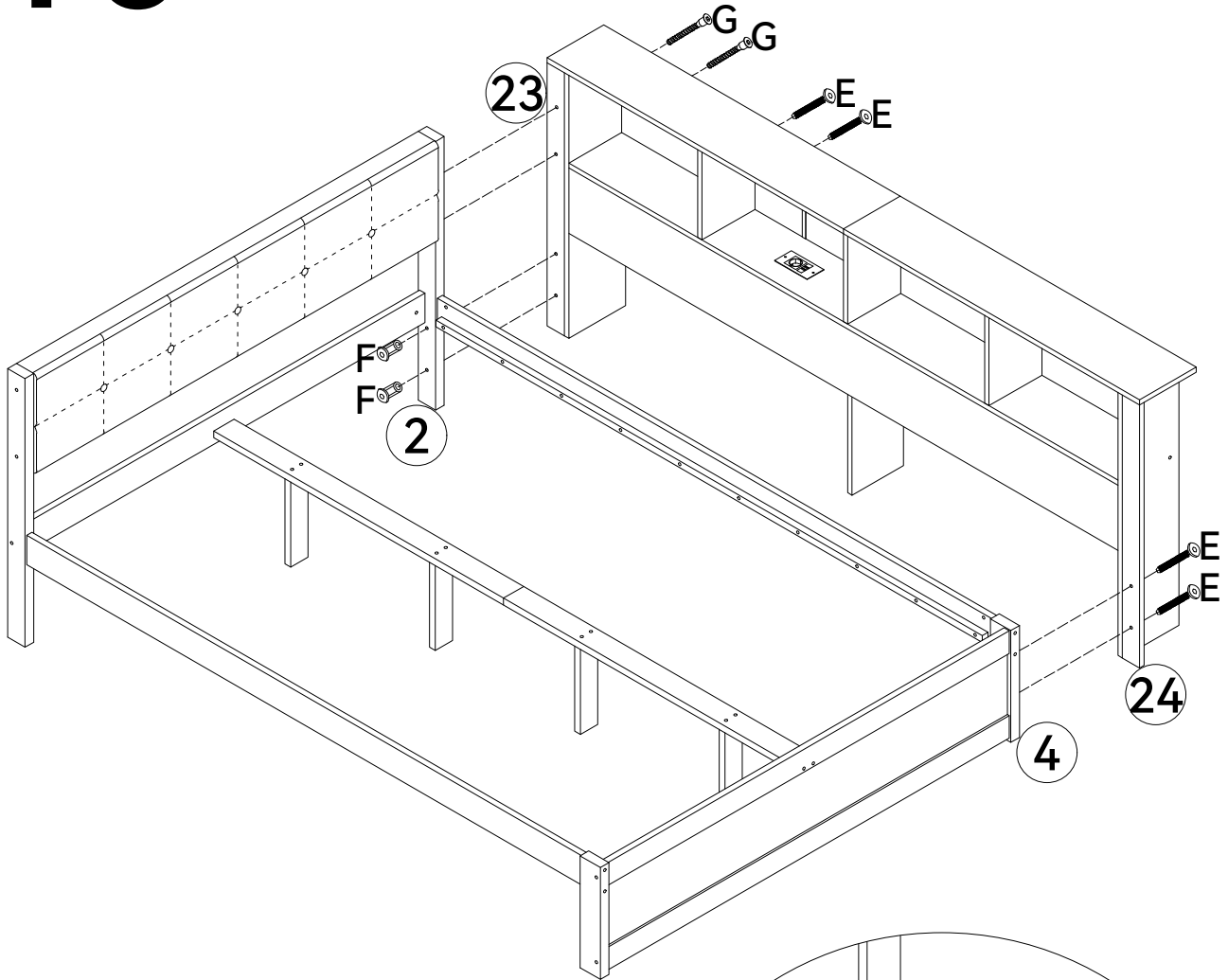




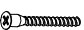

EN:Scan to download App control the Led light.
 DE:Scannen, um die App zum Steuern des LED-Lichts herunterzuladen
 FR:Scanner pour télécharger App contrôler la lumière Led.

| | | | | | | |
|---|------|--|-------|---|--|------|
| J | 3x14 | | 16PCS | T | | 2PCS |
| U | | | 1PC | V | | 4PCS |

MONTAGEANLEITUNG/ASSEMBLY INSTRUCTIONS

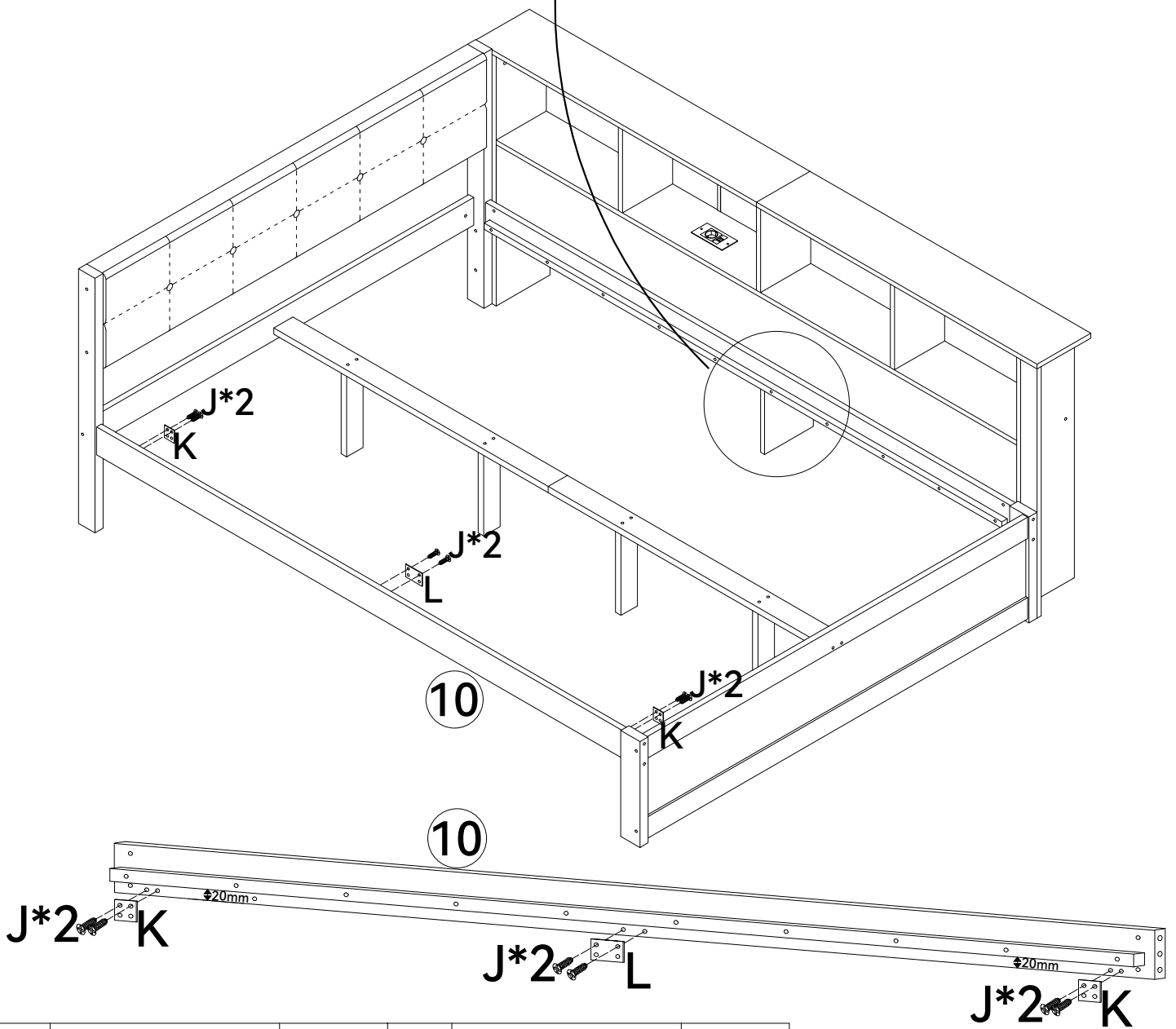
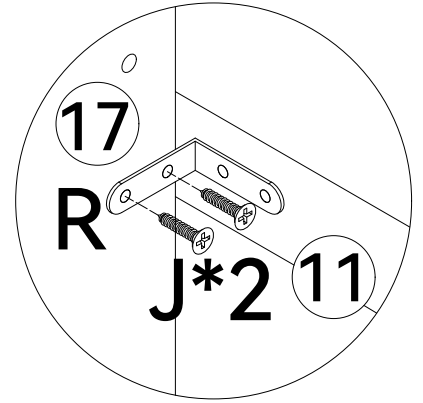
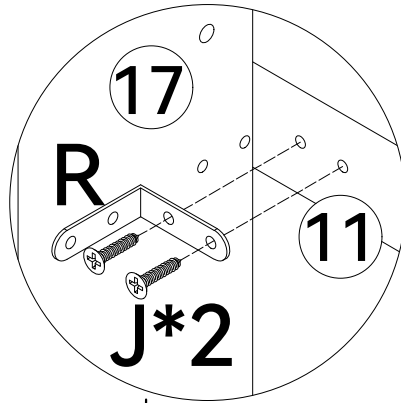
10



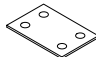
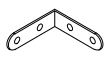


| | | | |
|----------|------|---|------|
| E | 6x40 |  | 4PCS |
| F | 6x10 |  | 4PCS |
| G | 5x40 |  | 2PCS |
| S | M4 |  | 2PCS |

MONTAGEANLEITUNG/ASSEMBLY INSTRUCTIONS

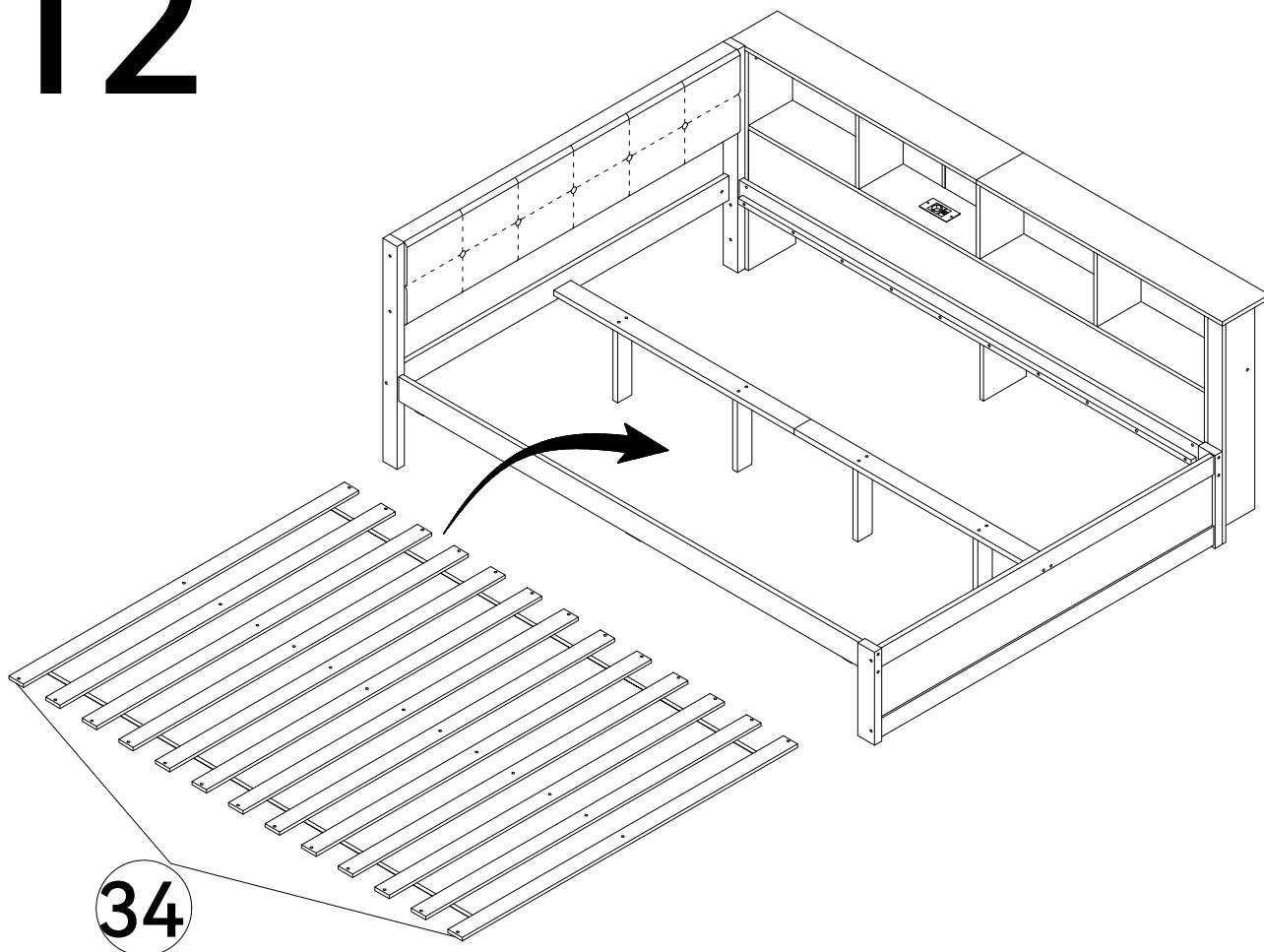
11



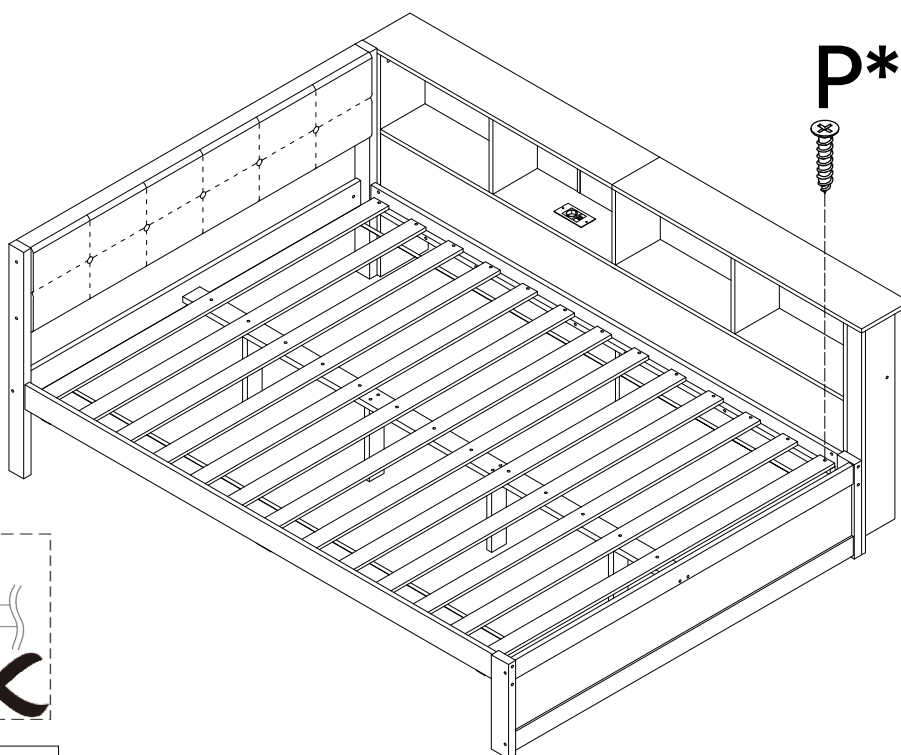
| | | | | | | | |
|---|-------|---|-------|---|-------|---|------|
| J | 3x14 |  | 10PCS | K | 40x35 |  | 2PCS |
| L | 40x60 |  | 1PC | R | |  | 1PC |

MONTAGEANLEITUNG/ASSEMBLY INSTRUCTIONS

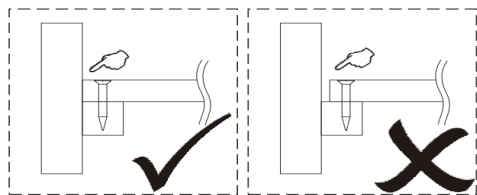
12



34



P*39



P

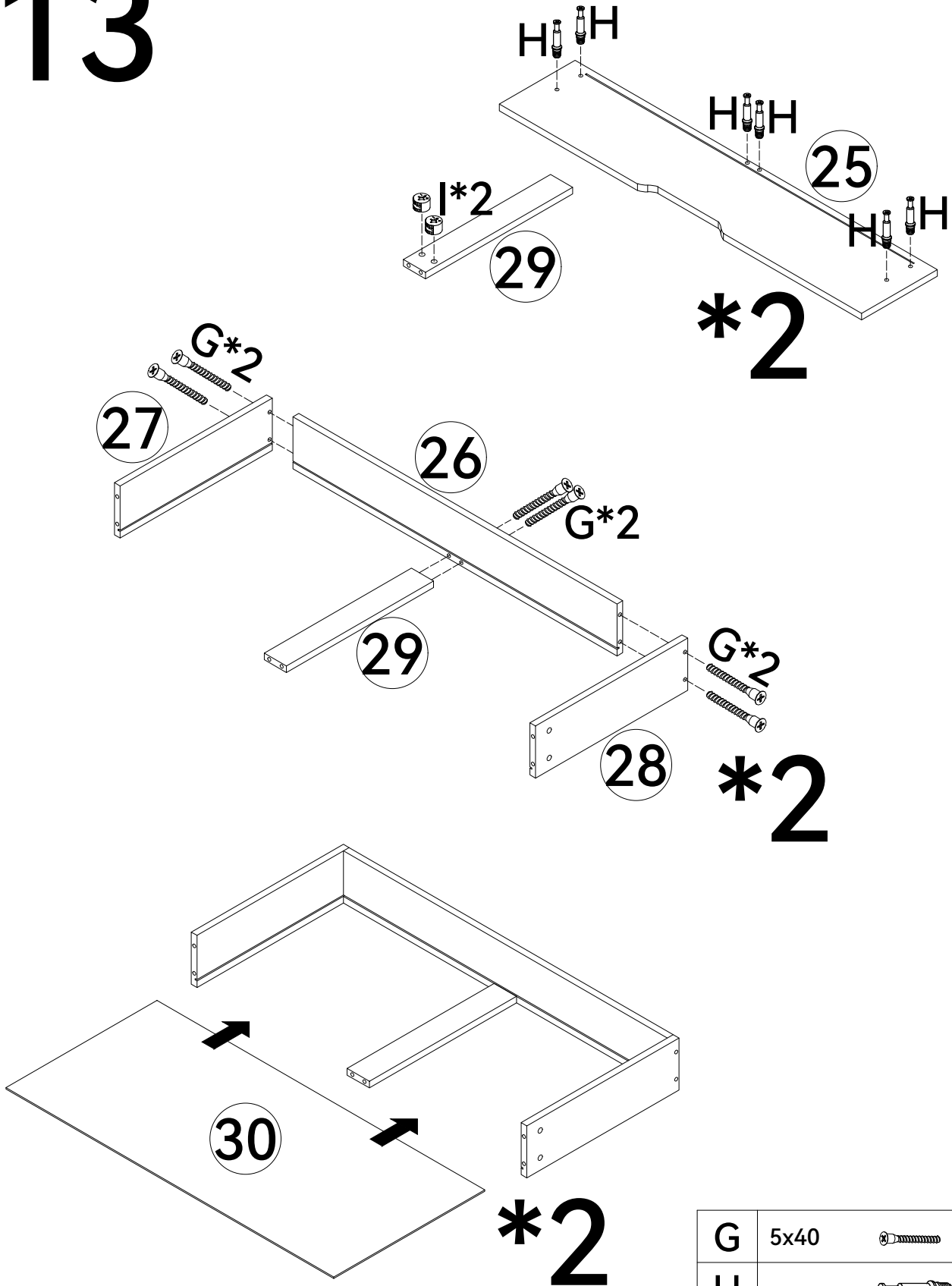
3x25


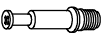



39PCS

MONTAGEANLEITUNG/ASSEMBLY INSTRUCTIONS

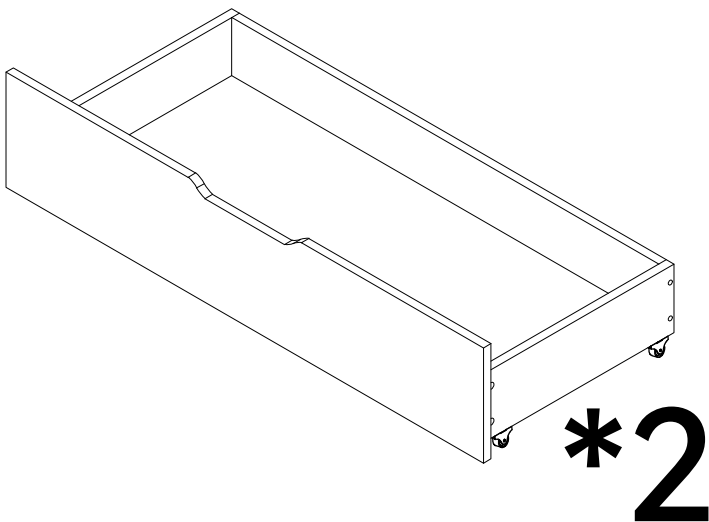
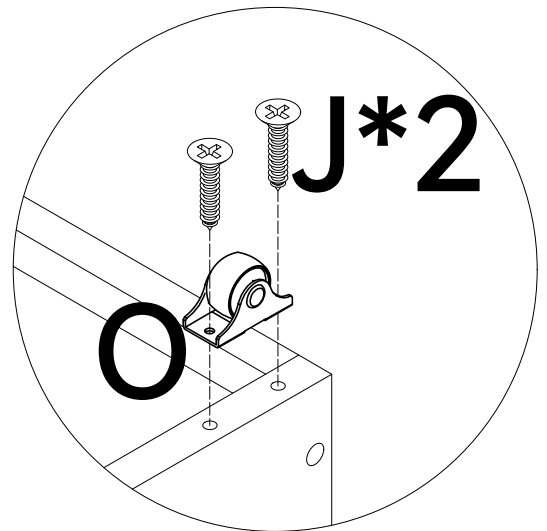
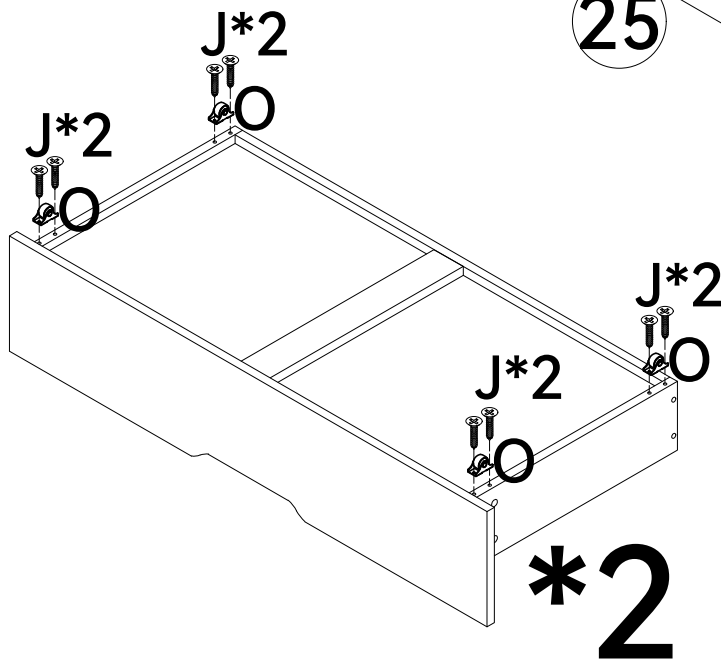
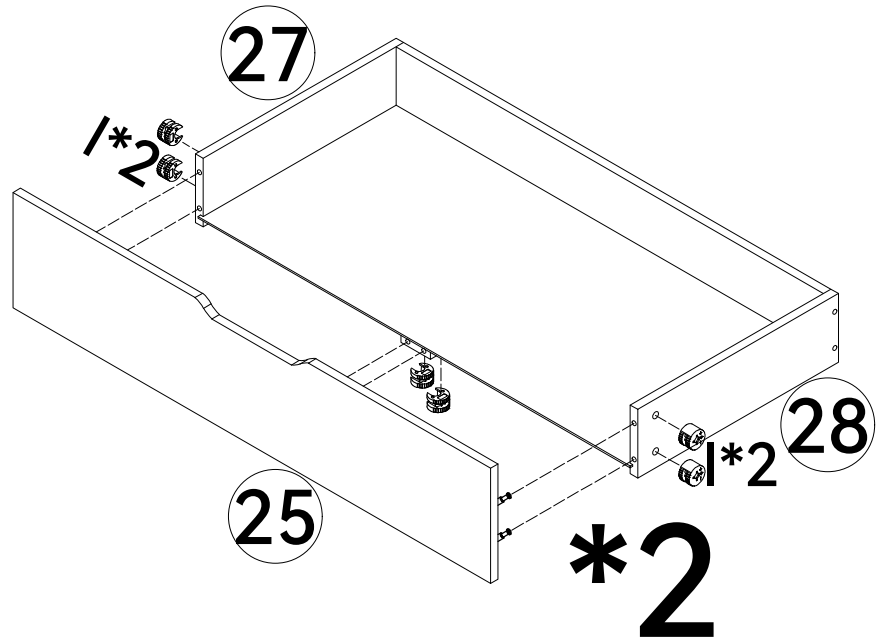
13






| | | | |
|---|------|---|-------|
| G | 5x40 |  | 12PCS |
| H | |  | 12PCS |
| I | |  | 4PCS |

MONTAGEANLEITUNG/ASSEMBLY INSTRUCTIONS

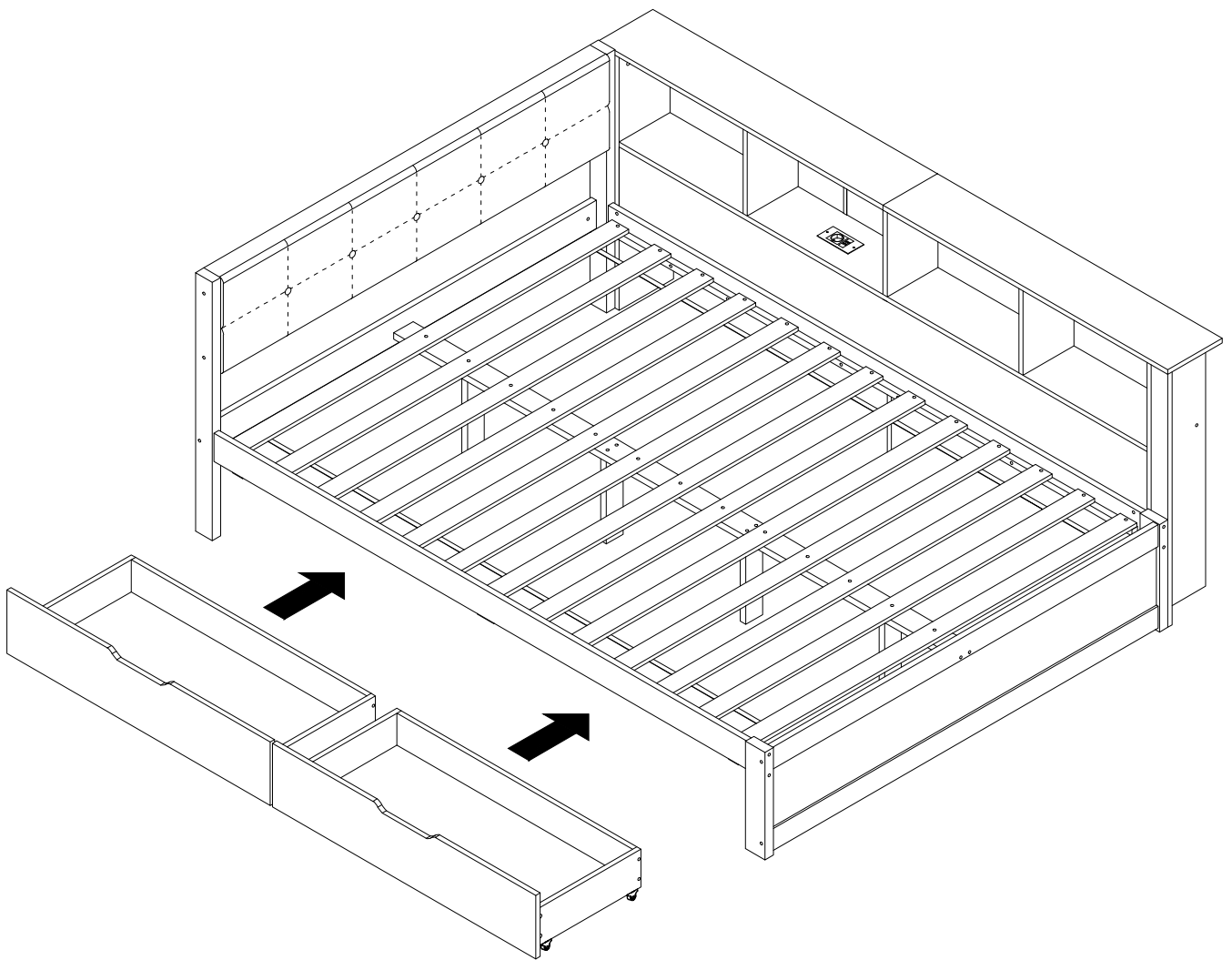
14



| | | | |
|---|------|---|-------|
| I | |  | 8PCS |
| J | 3x14 |  | 16PCS |
| O | |  | 8PCS |

MONTAGEANLEITUNG/ASSEMBLY INSTRUCTIONS

15



1. Software overview

1.1 Overview

LotusLamp X is a free app and an advanced version of the Lotus Lantern app. Users can use this app to automatically recognize various lighting fixtures, such as colored light strips, iridescent light strips, bubble lights, car ambient lights, etc. They can also adjust their brightness, color, set scenes, change dynamic modes and rhythm styles.

Its rhythm function can be used to play local music on the phone, receive sound through the phone microphone, or receive sound through the hardware microphone. If you choose local music rhythm, you need to first download some music files and enable the app's local file access permission.

1.2 Performance

The LotusLamp X APP has good usability and compatibility, verified through actual testing on hundreds of mobile phones, and is compatible with over 95% of the phones currently on the market. The APP is compact and convenient, takes up less system resources, has low requirements for mobile phone configuration, has low control delay, good operation feel, and high visual smoothness of light control.

2 Operating environment

This app requires a mobile phone with Android 8.0 and iOS 12 version or above, with no restrictions on phone configuration.

3 Usage

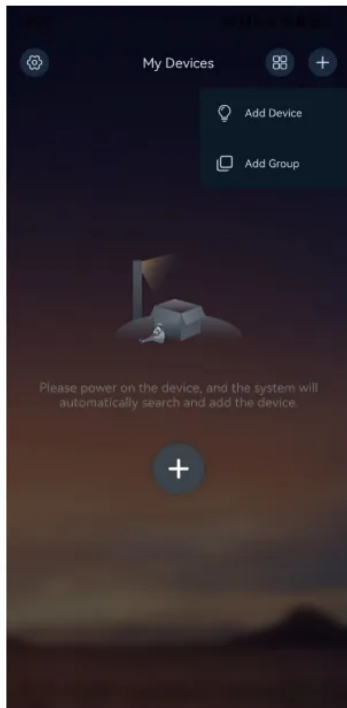
Note: The download and usage methods for Android and iOS versions are basically the same. Here, the Android version is taken as an example for explanation.

3.1 APP Download

Both iOS and Android systems can download the "LotusLamp X" app by scanning the QR code. Open a browser with a 'scan' function QQ、 Scan the "LotusLamp X" QR code using WeChat and other programming tools.



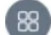






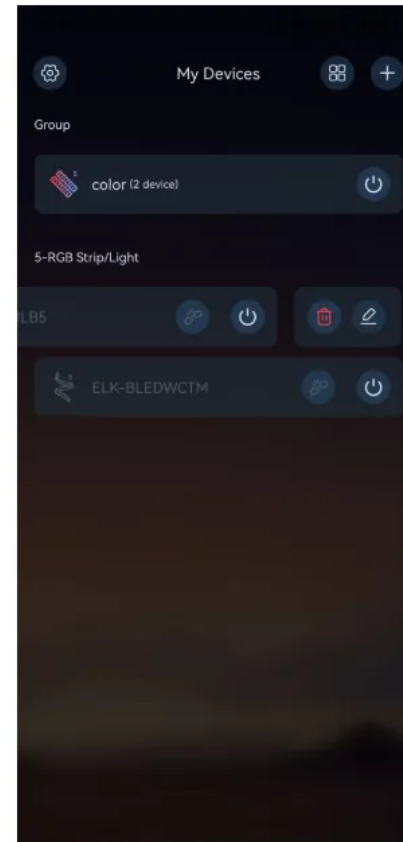
3.2 Software operation



The default interface is displayed for the first time after the APP is installed.

After you power on the device, the system automatically searches for and adds the device.





-  The system menu page is displayed.
-  Click to switch list display.
-  Click to switch grid display.
-  Click Add Device/Add group in the upper right corner.
-  Click Add Device.
-  Click Add Group.
-  This button is displayed at the bottom of the page when you add a device for the first time without obtaining the system permission, such as Bluetooth.

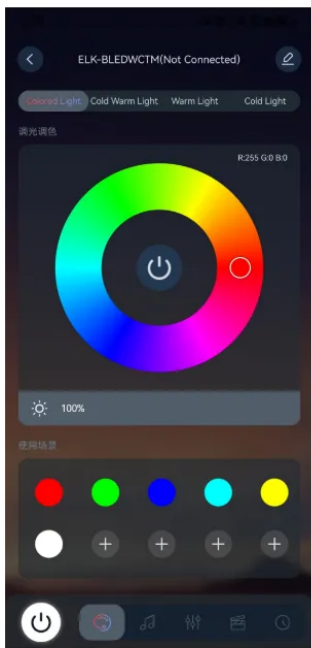


This screen allows you to manage groups and devices.

Click the device/group icon name to enter the device/group control panel.












Swipe left to enter the edit mode.

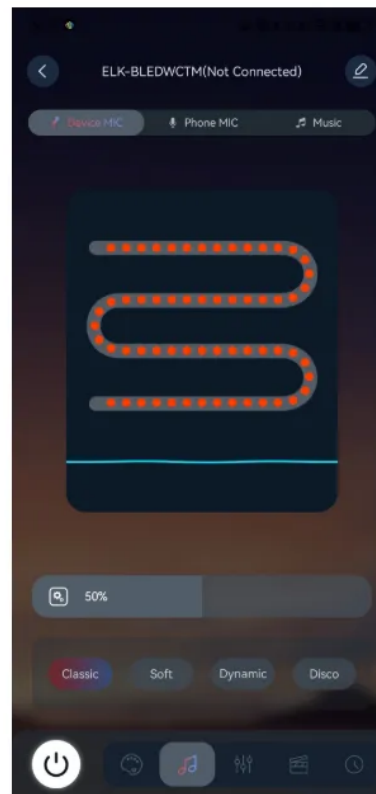
-  Connect button, click Connect device.
-  Switch button, click to control group/device on and off.
-  Delete button, click Remove device.
-  Group/Device edit button allows you to edit group/device icon, name, group device/select group, menu style, mode style, and customize functions.







Device control panel color palette. It can adjust the color and brightness of color light, cold and warm light, warm light and cold light.

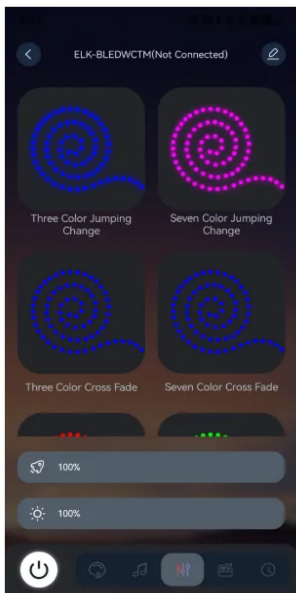
Slide the color palette to adjust the light color. Click the RGB module in the upper left corner to adjust R, G and B respectively.

-  Back button to return to the device management page.
-  Edit button to enter the page for editing device properties.
-  Customize button to customize the color, long press to delete the color.
-  Sliding brightness bar adjusts brightness.
-  RGB switch button, in the middle of the color disk, can control the RGB on and off. Color cannot be adjusted after closing.
-  Master switch, control lights on and off.
-  Color button, click to enter the color interface.
-  Click the rhythm button to enter the rhythm interface.
-  Click the mode button to enter the mode interface.
-  Click the scene button to enter the scene interface.
-  Timing button, tap to enter the timing interface.





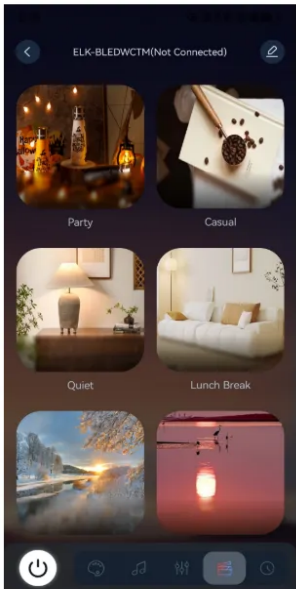
Light rhythm control interface. Select rhythmic sound source and rhythmic mode effect.

-  External microphone interface, select the controller hardware integrated microphone as a sound collector, capture the music of the surrounding environment and control the change of the light with the change of the rhythm and intensity of the music.
-  On the mobile microphone screen, select the mobile microphone as the sound collector.
-  Music interface, play the music stored in the phone, the light changes with the music.
-  Control the sensitivity of sound acquisition, slide to select the appropriate value to make sound acquisition sensitive and avoid random lighting.



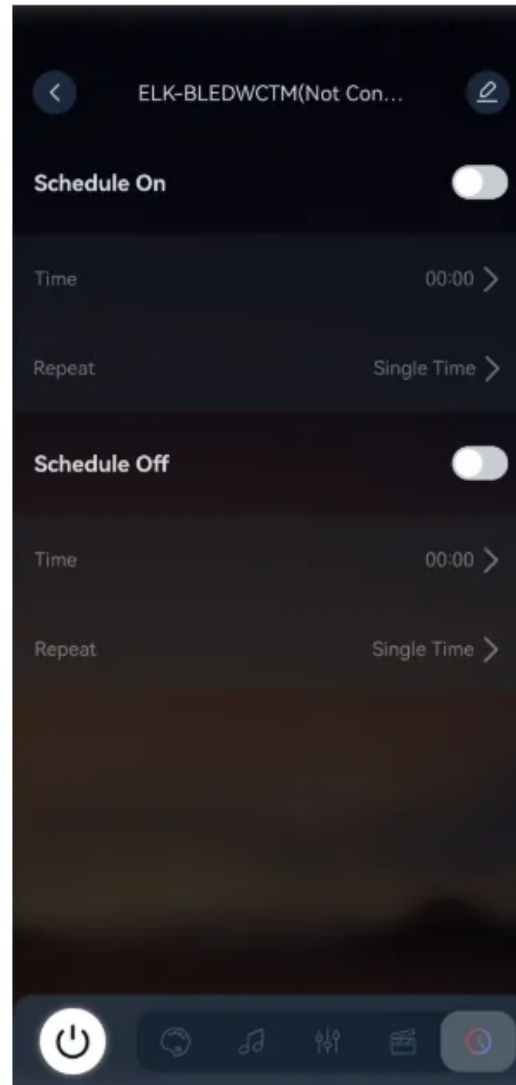
Dynamic mode interface.

-  Speed slider to control the speed of dynamic mode.
-  Brightness slider to control the maximum brightness for dynamic mode.




Lighting scene setting screen.

Click on the picture to set the corresponding lighting scene.

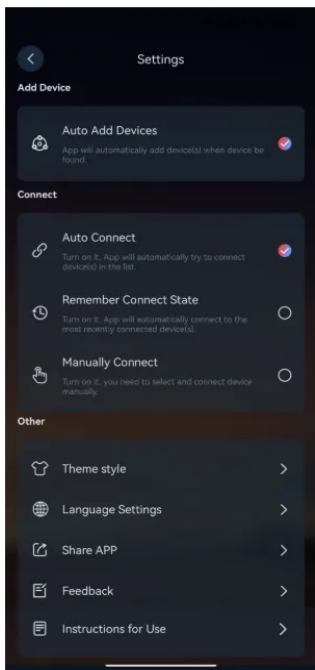


Lights on and off schedule setting page.










 Enable or disable the schedule of lights on/off.

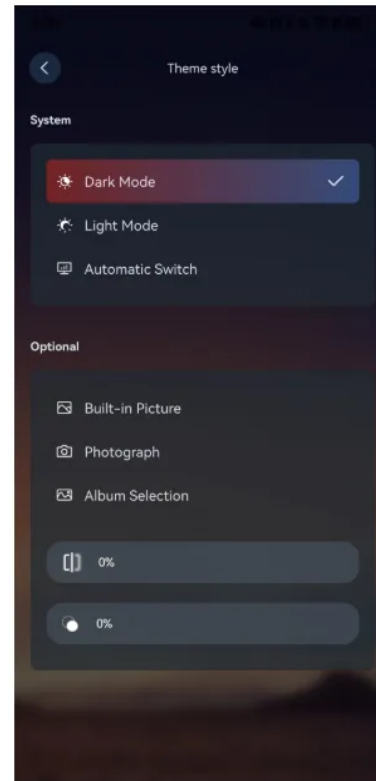
 Time setting of lights on/off.

 Repeat mode, single or weekly loop.







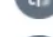



System settings page. Including strategy of device search, append, connect. Interface language selection, theme style setting, usage instructions and so on.

-  Add devices automatically. This parameter is selected by default. If an unconnected device is nearby, it is automatically added to the device list.
-  Automatic connection, selected by default. After this function is enabled, the device in the device list is automatically connected.
-  Memory connection: When enabled, the recently connected devices are automatically connected.
-  Manually connect. After opening, click the device connection button to connect.
-  Theme style, can choose dark mode/fresh mode, custom theme background.
-  Language Settings, select the APP interface display language.
-  Share the APP, you can share the APP with others.
-  Question feedback, questions and comments can be submitted.
-  Use instructions, see the detailed description of the function.



Theme style setting page. You can select two styles of system integrated or select a picture for your wallpaper.

-  Dark Mode: Select a dark theme.
-  Light Mode: Select a light theme.
-  Automatic Switch: Switch dark or light mode according to the mobile phone system setting of theme.
-  Picture Gallery: Select a picture from picture gallery of system built-in.
-  Photograph: Turn on the camera, shoot, as your wallpaper.
-  Album Selection, Select a picture from your phone's album.
-  Adjust the image sharpness.
-  Adjust the image transparency.



This certificate is responsible for testing sample only.
Please refer to this corresponding test report to get testing process and data.

CERTIFICATE

ATTESTATION Certificate of Compliance

Technical file of the company mentioned below has been inspected and audit has been completed successfully

The Low Voltage Directive 2014/35/EU has been taken as references for these processes.

Certificate's Holder : QingDao ChengKong Electrical-Auto Co., Ltd.
Address : Room 5-402, No.147 Xining Road, Zhuhai Community, Huangdao District, Qingdao, Shandong, China
Manufacturer : QingDao ChengKong Electrical-Auto Co., Ltd.
Address : Room 5-402, No.147 Xining Road, Zhuhai Community, Huangdao District, Qingdao, Shandong, China
Product Name : Furniture Power Distribution Unit
Product Model (S) : JN02-00-22, JN02-00-22Y, JN02-00-02, JN02-00-21, JN02-00-23, JN02-00-03, JN02-00-04
Trade Mark : Roozmausy
Related Directive : 2014/35/EU
Related Standards : EN IEC 62368-1:2020 + A11:2020
Certificate Number : HK240527 1322S
Report No. : HK240527 1322-SR
Registration Date : Jun. 04, 2024



The information of the certificate can be checked through www.cer-mark.com. The CE mark which is shown on the certificate can only be used under the conditions that the products complete with all of the relevant Directives of CE Declaration of Conformity. The Manufacturer should be responsible for the internal production control so that the products complied with the essential requirements of the above mentioned Directive(s). Certificate holder must notify all changes to the original certification laboratory of HUAKE.



Shenzhen HUAKE Testing Technology Co., Ltd.

Add.: 1-2/F., Building B2, Junfeng Zhongcheng Zhizao Innovation Park, Heping, Fuhai Street, Bao'an District, Shenzhen, Guangdong, China
Tel.: +86-755-2302 9901 Http://www.cer-mark.com Postcode: 518103 E-mail: service@cer-mark.com



CERTIFICATE

ATTESTATION Certificate of Compliance

Technical file of the company mentioned below has been inspected and audit has been completed successfully

The EMC Directive 2014/30/EU has been taken as references for these processes.

Certificate's Holder : QingDao ChengKong Electrical-Auto Co., Ltd.
Address : Room 5-402, No.147 Xining Road, Zhuhai Community, Huangdao District, Qingdao, Shandong, China
Manufacturer : QingDao ChengKong Electrical-Auto Co., Ltd.
Address : Room 5-402, No.147 Xining Road, Zhuhai Community, Huangdao District, Qingdao, Shandong, China
Product Name : Furniture Power Distribution Unit
Product Model (S) : JN02-00-22, JN02-00-22Y, JN02-00-02, JN02-00-21, JN02-00-23, JN02-00-03, JN02-00-04
Trade Mark : Roozmausy
Related Directive : 2014/30/EU
Related Standards : EN 55032:2015 + A1:2020 + A11:2020
EN IEC 61000-3-2:2019 + A1:2021
EN 61000-3-3:2013 + A1:2019 + A2:2021
EN 55035:2017 + A11:2020

Certificate Number : HK2405272729E
Report No. : HK2405272729-1ER
Registration Date : Jun. 04, 2024



The information of the certificate can be checked through www.cer-mark.com. The CE mark which is shown on the certificate can only be used under the conditions that the products complete with all of the relevant Directives of CE Declaration of Conformity. The Manufacturer should be responsible for the internal production control so that the products complied with the essential requirements of the above mentioned Directive(s). Certificate holder must notify all changes to the original certification laboratory of HUAKE.



Certificate NO.: LBTC230314130R

Certificate of Compliance

EU- Restriction of the use of certain hazardous substances(RoHS)-

Report No. : LBTC230314130R
Applicant : QingDao ChengKong Electrical-Auto Co., Ltd
Address : Zhuhai Community, Huangdao District, Qingdao ,
Shandong ,China
Manufactur : QingDao ChengKong Electrical-Auto Co., Ltd
Address : Zhuhai Community, Huangdao District, Qingdao ,
Shandong ,China
Product : Power Adapter
Model Model : JN02-00-22 JN02-00-22Y JN02-00-02 JN02-00-21 JN02-00-23 JN02-00-03
Trade Mark : N/A

Test Standards : EC 62321-3-1-2013
EC 62321-5-1-2013
EC 62321-4-2013+AMD1:2017
EC 62321-7-1:2015
EC 62321-7-2:2017
EC 62321-6:2015

The test results based on the above specified products comply with the EU RoHS 2 Directive 2011/65 / EU Appendix II Amendment Directive(EU)2015/863 as last amended by Directive (EU)2017/2102 limit requirements.

The test results apply only to the particular sample tested and to the specific tests carried out. Specifically to the sample investigated in our test reference number only. Other relevant Directives have to be observed.



Chief Manager
Jaele Su
AUTHENTICATED
LABTEST

Date of Issue: Mar.14.2013

This statement is based on a single evaluation of the sample(s) of above mentioned product. It does not imply an assessment of the whole production.



NOWD Testing Services Co., Ltd.

TEL: +86-755-2783 0065 FAX: +86-755-2783 0095

ADD: 5A, Building 29B, Yintian Industrial Zone, Yantian Community, Xixiang Street, Bao'an District, Shenzhen, China

Email: nowd@nowd.com.cn

Web: <http://www.nowd.com.cn>

Verification of Compliance

Reference : NTS2511016
Report No. : NTS2511016E, NTS2511017E, NTS2511018E, NTS2511019E
Applicant : QingDao ChengKong Electrical-Auto Co., Ltd
No.147 Xining Road, Zhuhai Community, Huangdao District, Qingdao, Shandong
Manufacture : QingDao ChengKong Electrical-Auto Co., Ltd
No.147 Xining Road, Zhuhai Community, Huangdao District, Qingdao, Shandong
Product : LED STRIPT LIGHT
Trade Mark : ROOZMAUSY
Model No. : L-50-30D
Serial Model : L-50-60D, L-50-18D, L-50-120D, L-3528-30D, L-3535-30D

The submitted sample of the above equipment has been tested for CE marking according to the following European Directives:

Radio Equipment Directive: 2014/53/EU

Standard(s) used for showing compliance with the essential requirements in the specified directive(s):

| | | |
|-----------------------|---------------------------------------|----------------------------------|
| Test Standards | ETSI EN 301 489-1 V2.2.3 (2019-11) | EN 62479:2010 |
| | ETSI EN 301 489-17 V3.2.4 (2020-09) | ETSI EN 300 328 V2.2.2 (2019-07) |
| | EN IEC 55015:2019+A11:2020 | EN IEC 60598-2-1-2021 |
| | EN IEC 61547-2023 | used in conjunction with |
| | EN IEC 61000-3-2:2019+A1:2021+A2:2025 | EN IEC 60598-1:2024/A11:2024 |
| | EN 61000-3-3:2013+A1:2019+A2:2021 | |

The statement is based on a single evaluation of one sample of above mentioned products. It does not imply an assessment of the whole production.

The manufacture should ensure that all products in series production are in conformity with the product sample detailed in this report. The applicant should hold the whole technical report at disposal of the competent all the right.



Signed for and on behalf of
NOWD Testing Services Co., Ltd.

Somnus
Technical Manager

Date: November 8, 2025



NOWD Testing Services Co., Ltd.

TEL: +86-755-2783 0065 FAX: +86-755-2783 0095

ADD: 5A, Building 29B, Yintian Industrial Zone, Yantian Community,
Xixiang Street, Bao'an District, Shenzhen, China

Email: nowd@nowd.com.cn

Web: <http://www.nowd.com.cn>

Verification of Compliance

Reference No. : NTS2511070

Report No. : NTS2511070R

Applicant : QingDao ChengKong Electrical-Auto Co., Ltd

No.147 Xining Road, Zhuhai Community, Huangdao District, Qingdao, Shandong

Manufacturer : QingDao ChengKong Electrical-Auto Co., Ltd

No.147 Xining Road, Zhuhai Community, Huangdao District, Qingdao, Shandong

Product : LED STRIPT LIGHT

Model No. : L-50-30D, L-50-60D, L-50-18D, L-50-120D, L-3528-30D, L-3535-30D

Trade Mark : N/A

The submitted sample of the above equipment has been tested for CE marking according to the following European Directives:

RoHS Directive: 2011/65/EU & 2015/863/EU

Standard(s) used for showing compliance with the essential requirements in the specified directive(s):

| | | |
|----------------|-----------------------------|----------------------|
| Test Standards | IEC 62321-1: 2013; | IEC 62321-6: 2015; |
| | IEC 62321-3-1: 2013; | IEC 62321-7-1: 2015; |
| | IEC 62321-4: 2013+A1: 2017; | IEC 62321-7-2: 2017; |
| | IEC 62321-5: 2013; | IEC 62321-8: 2017 |

The statement is based on a single evaluation of one sample of above mentioned products. It does not imply an assessment of the whole production.

The manufacturer should ensure that all products in series production are in conformity with the product sample detailed in this report. The applicant should hold the whole technical report at disposal of the competent all the right.

RoHS



Signed for and on behalf of
NOWD Testing Services Co., Ltd.

Somnus

Technical Manager

Date: Nov. 08, 2025