
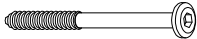

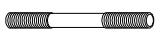

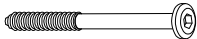


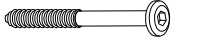



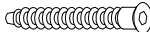
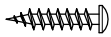

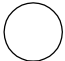

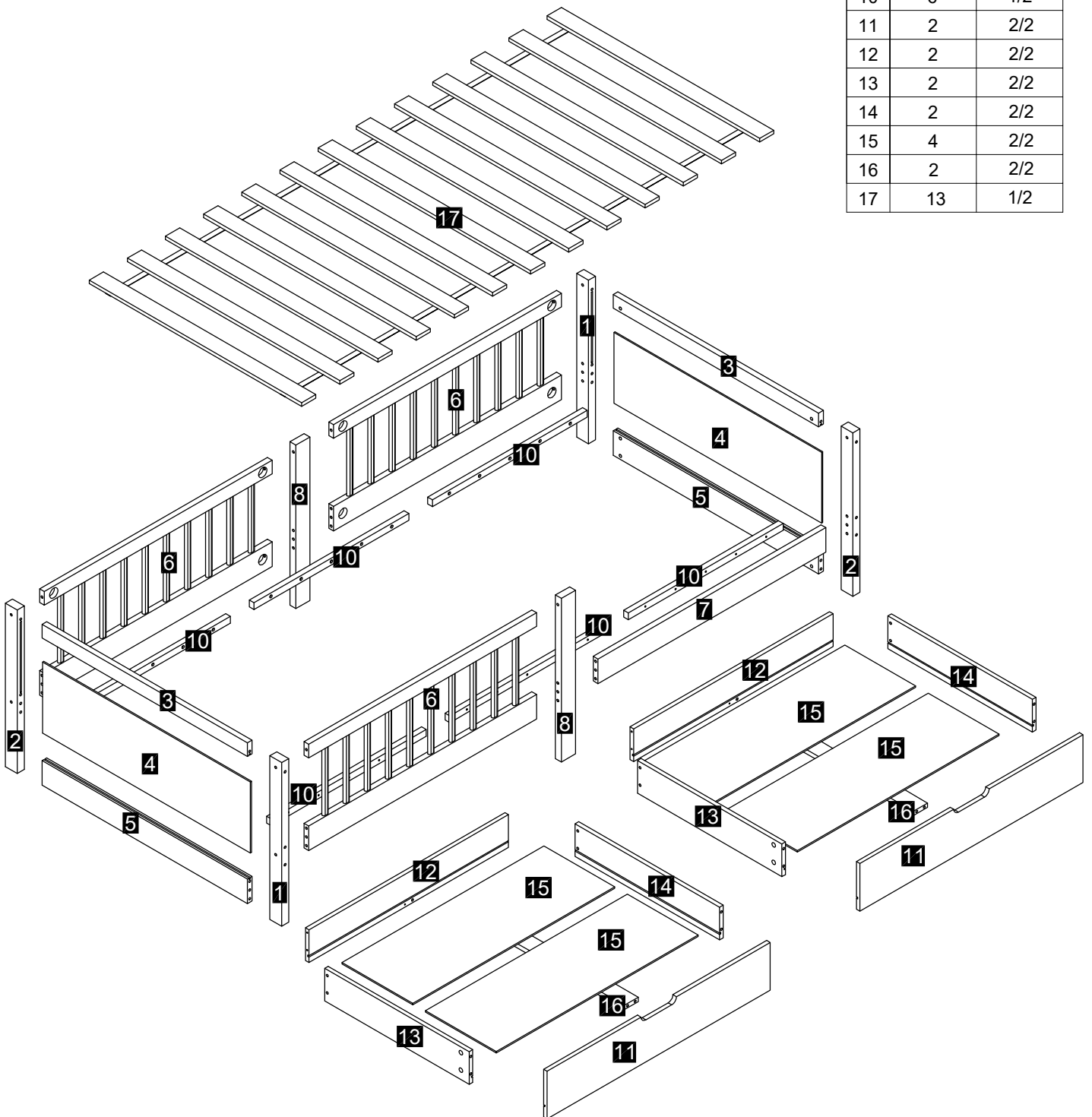


Hardware Box: carton no. 1/2

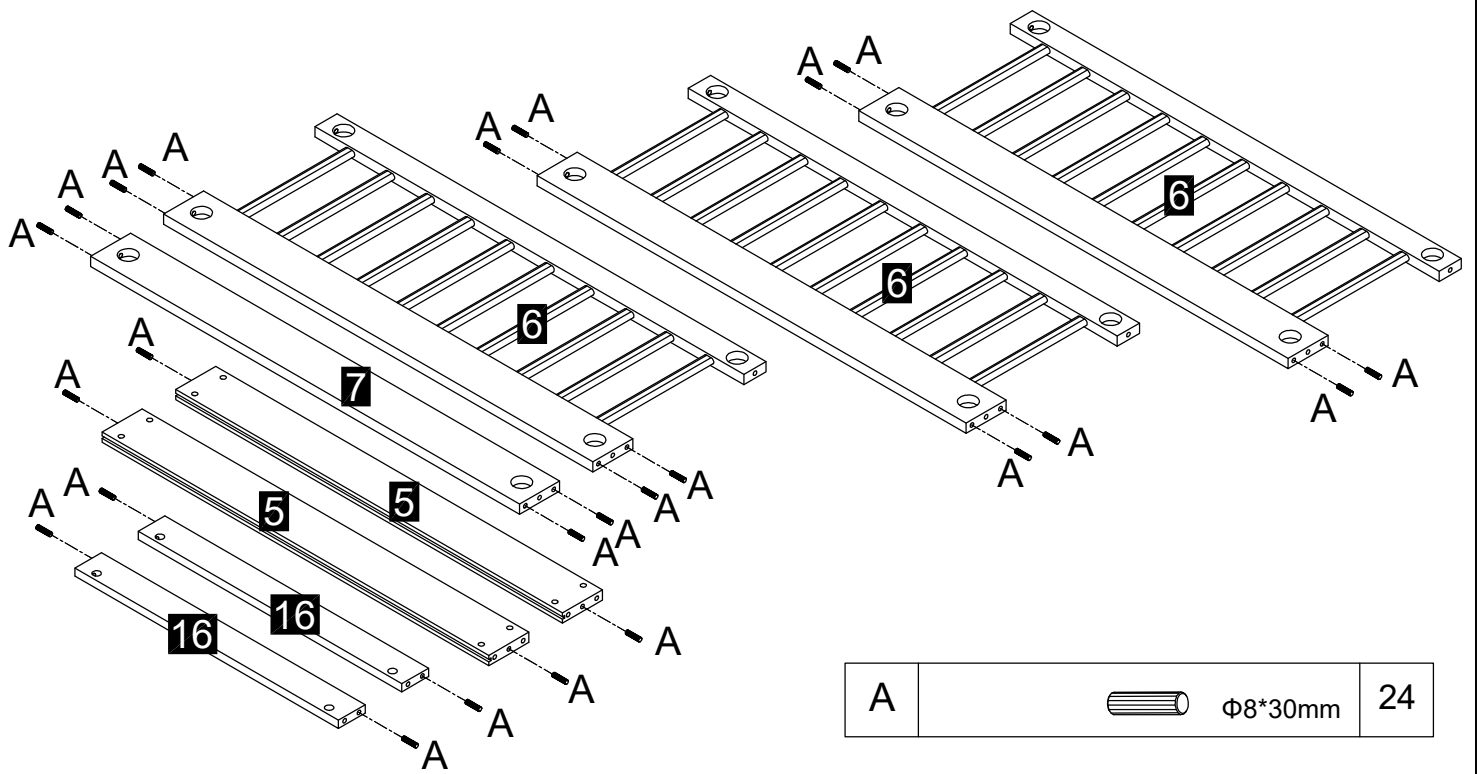
A		Φ8*30mm	24
B		M6*90mm	12
C			12
D		M6*140	3
E		M6	14
F		M6*100mm	1
G			2
H		Φ4*30mm	56
I		M6*80mm	7

J			12
K			12
L		840mm	2
M		Φ7*50mm	8
N		3*16	16
O		35 mm	8
P		45 mm	14
Q		4 mm	1

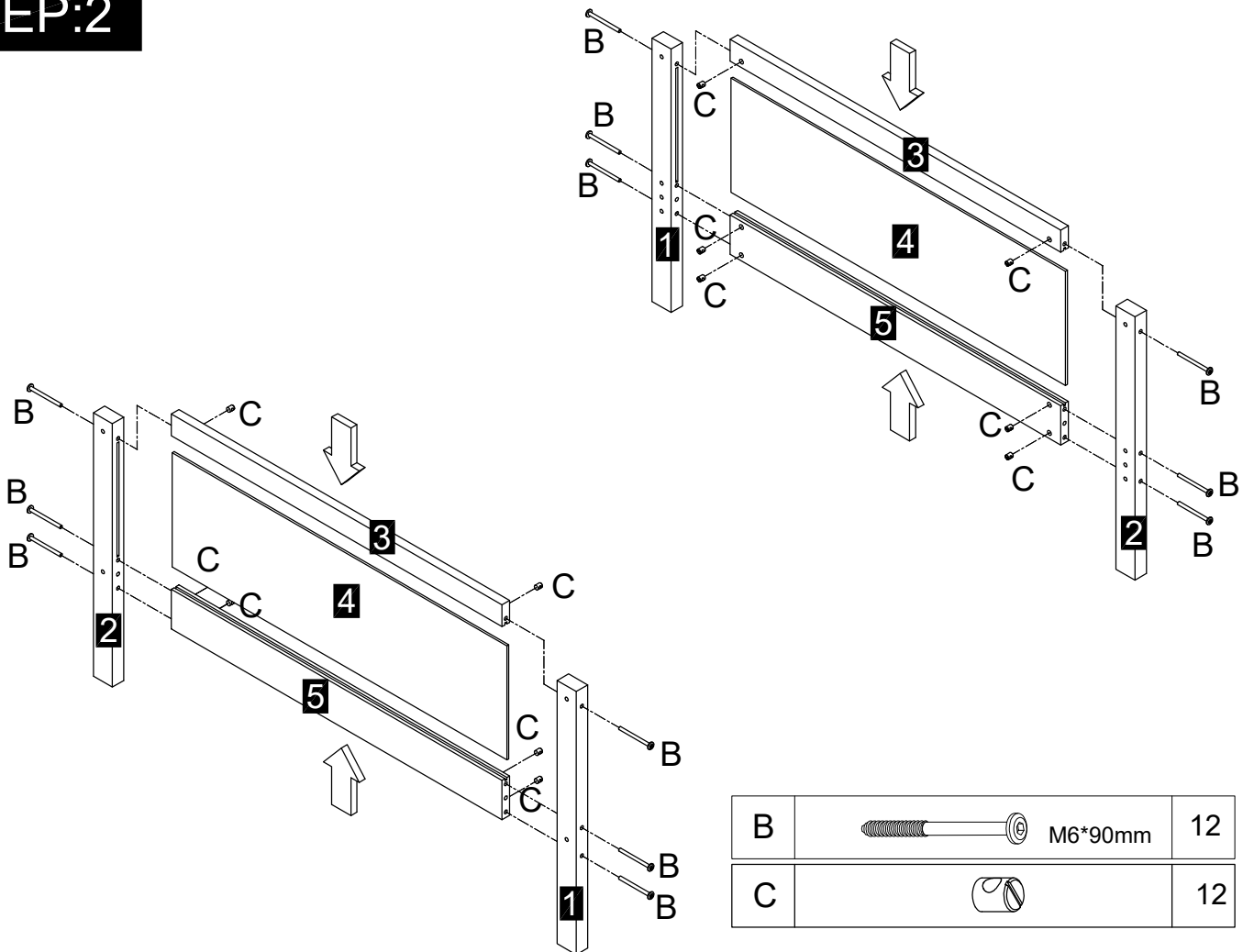
NO.	Qty	Ctn no
1	2	1/2
2	2	1/2
3	2	1/2
4	2	1/2
5	2	1/2
6	3	1/2
7	1	1/2
8	2	1/2
10	6	1/2
11	2	2/2
12	2	2/2
13	2	2/2
14	2	2/2
15	4	2/2
16	2	2/2
17	13	1/2



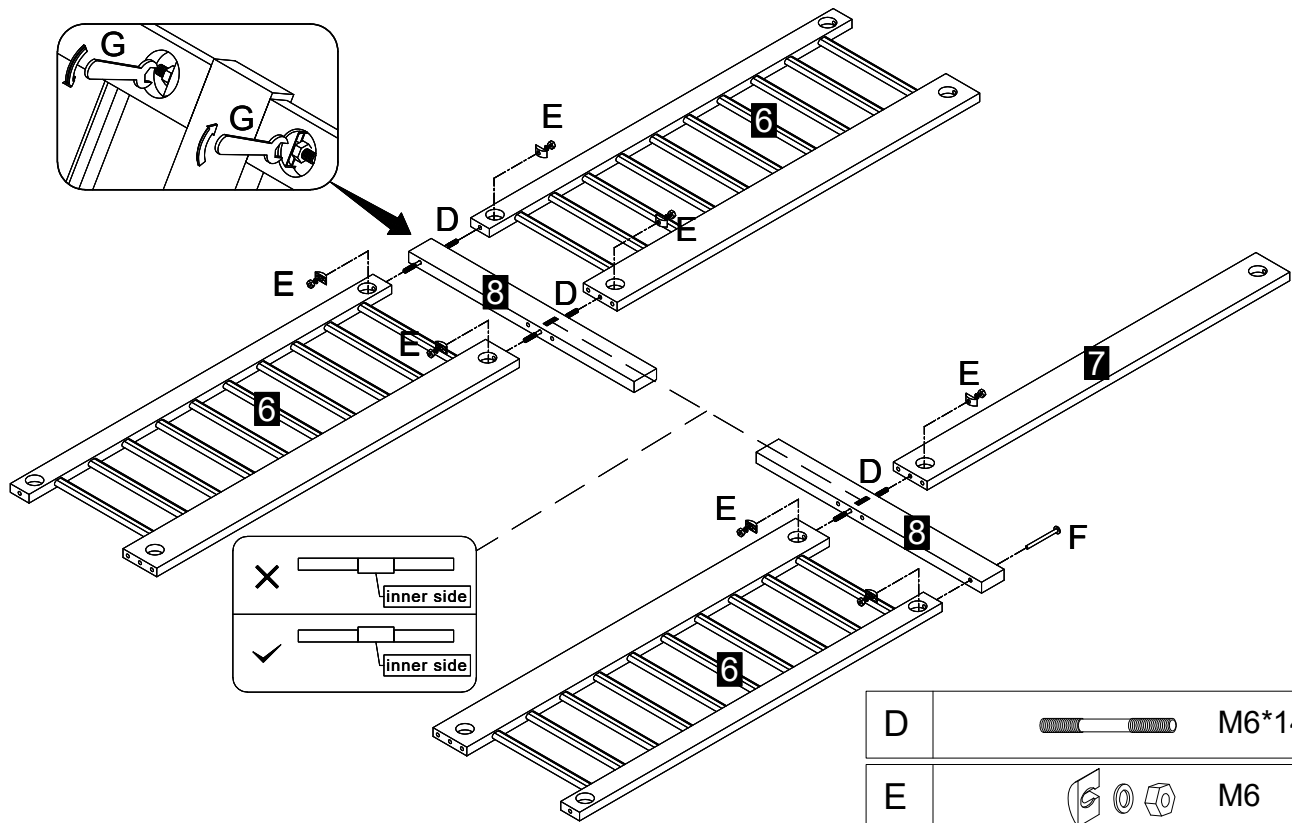
STEP:1

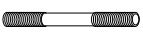





STEP:2

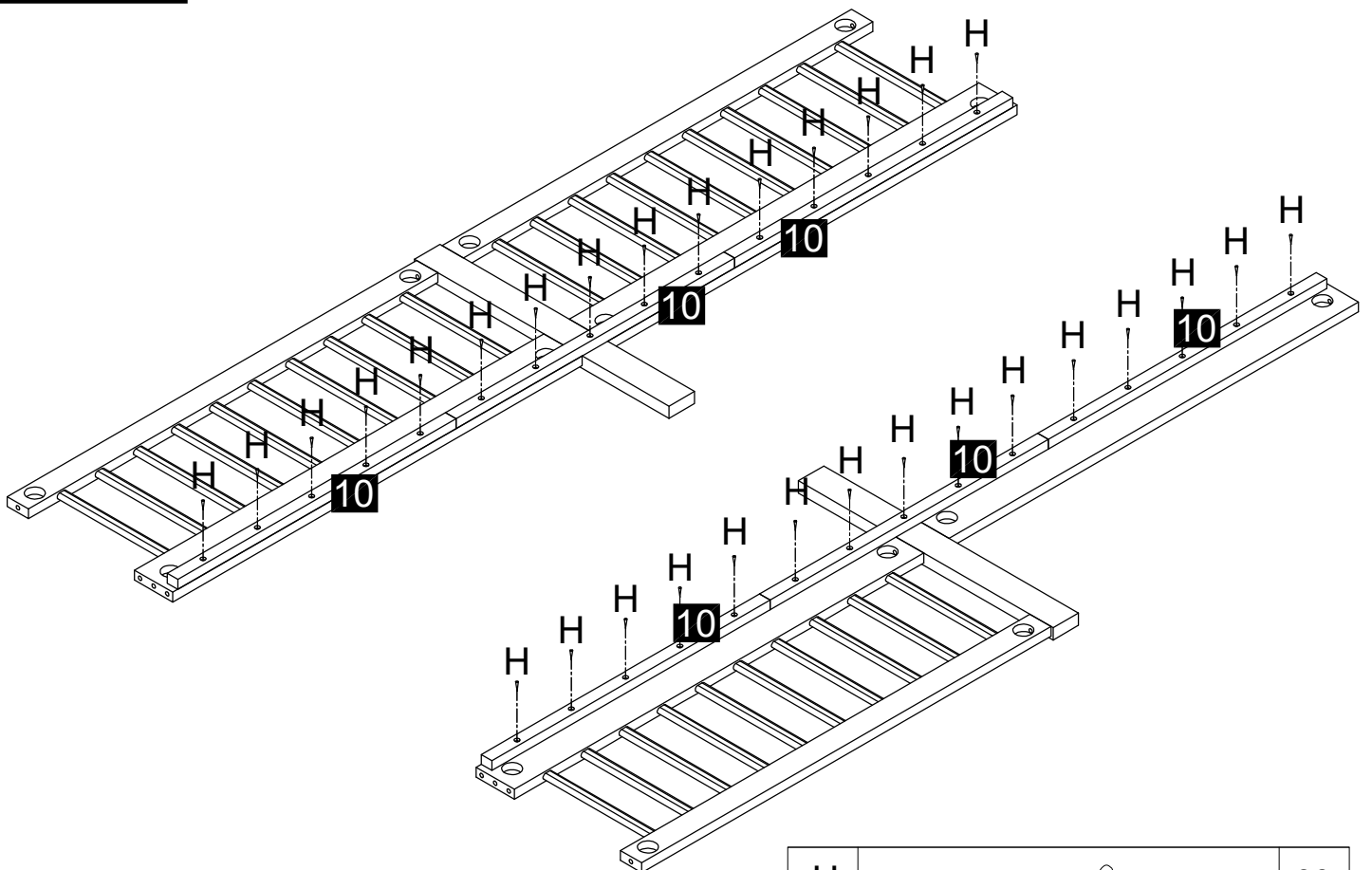



STEP:3



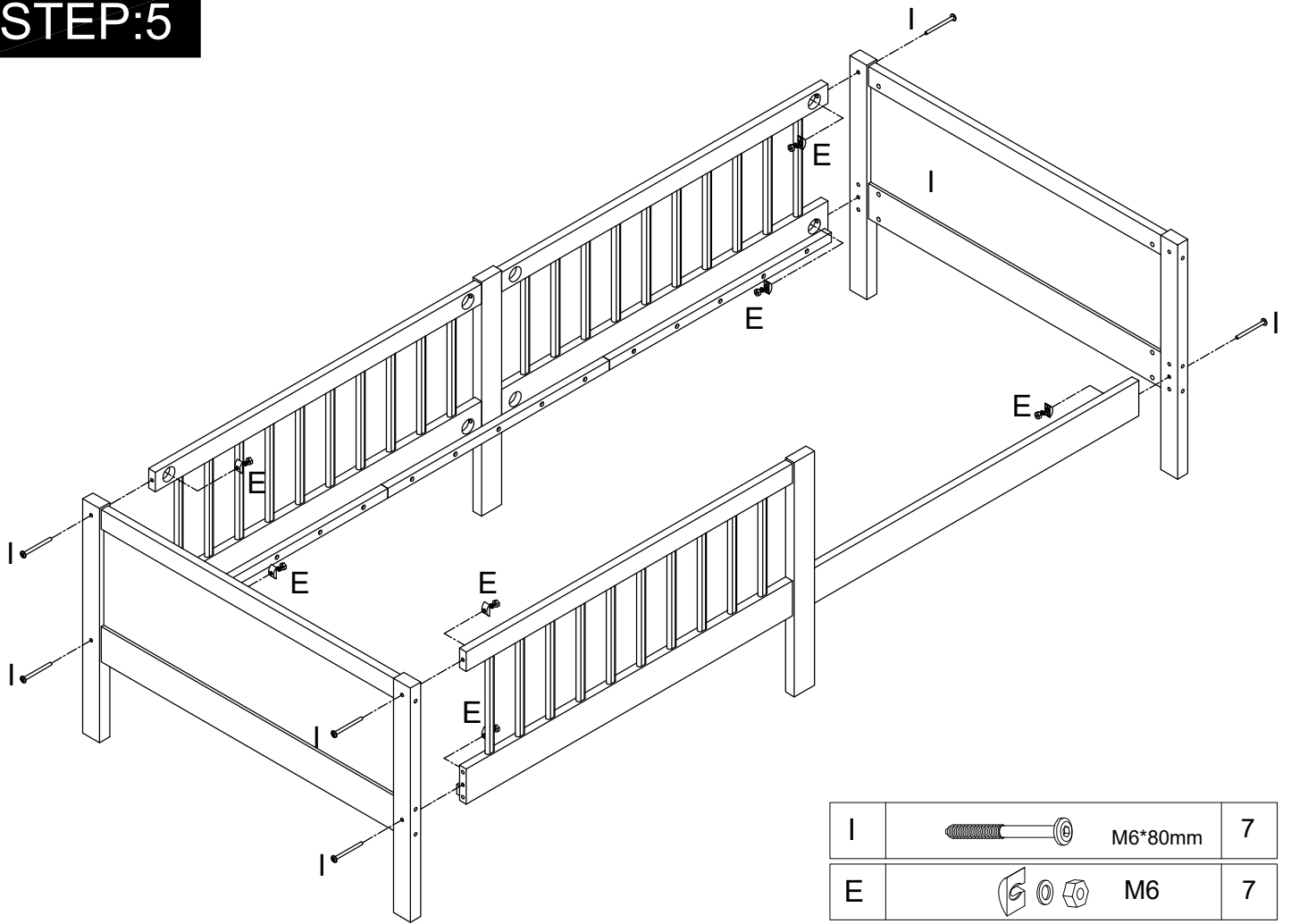
D		M6*140	3
E		M6	7
F		M6*100mm	1
G			2

STEP:4

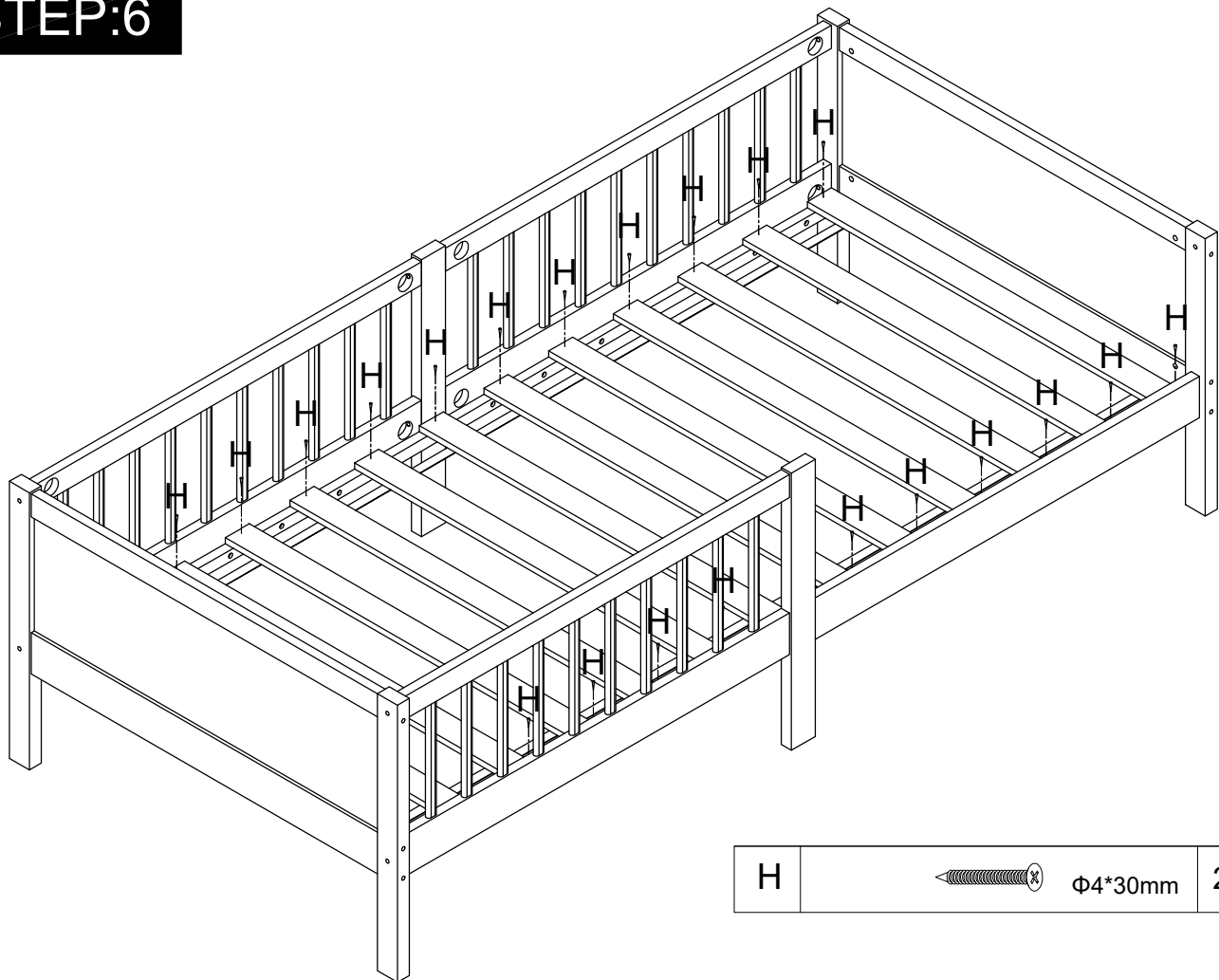


H		Φ4*30mm	30
---	---	---------	----

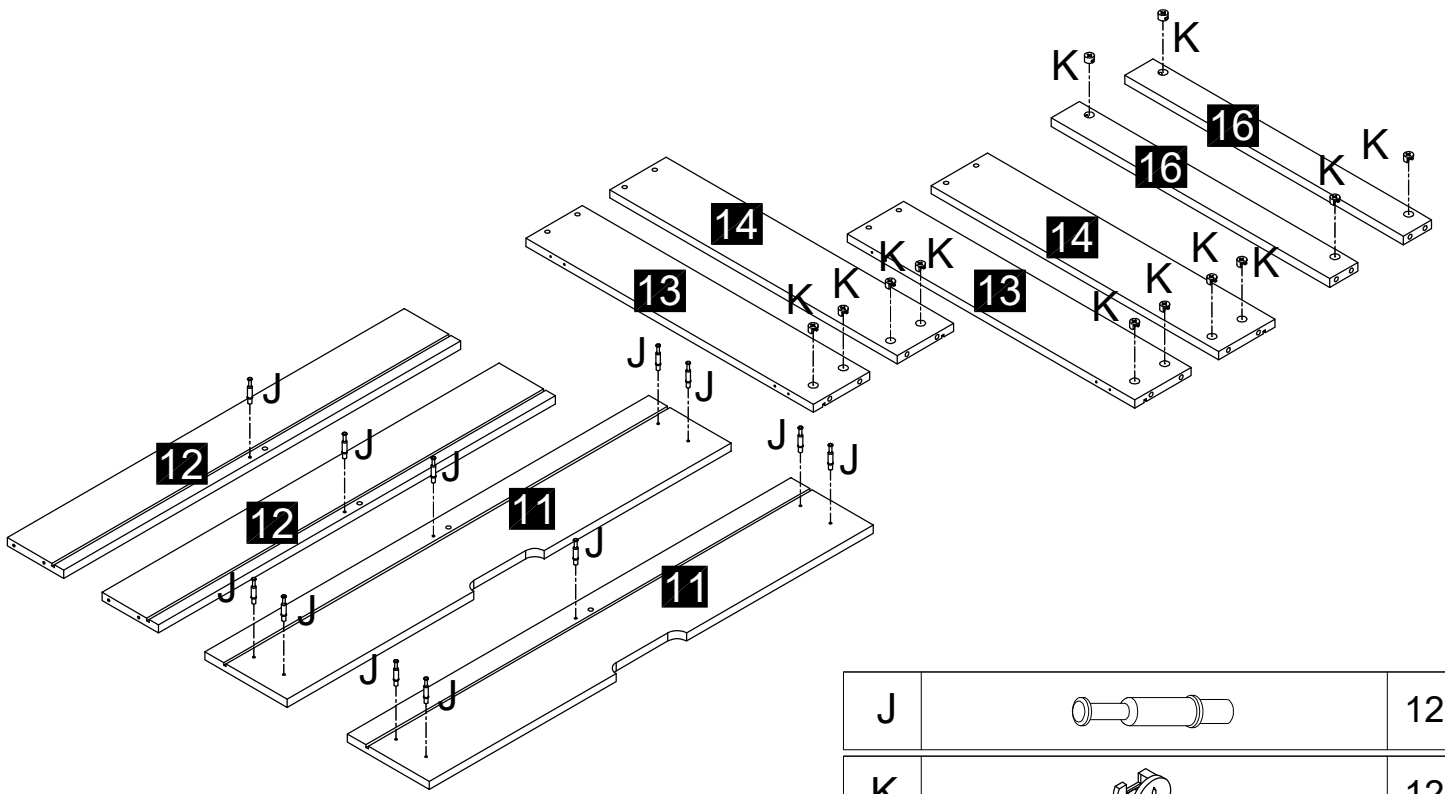
STEP:5

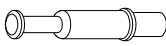
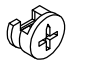


STEP:6

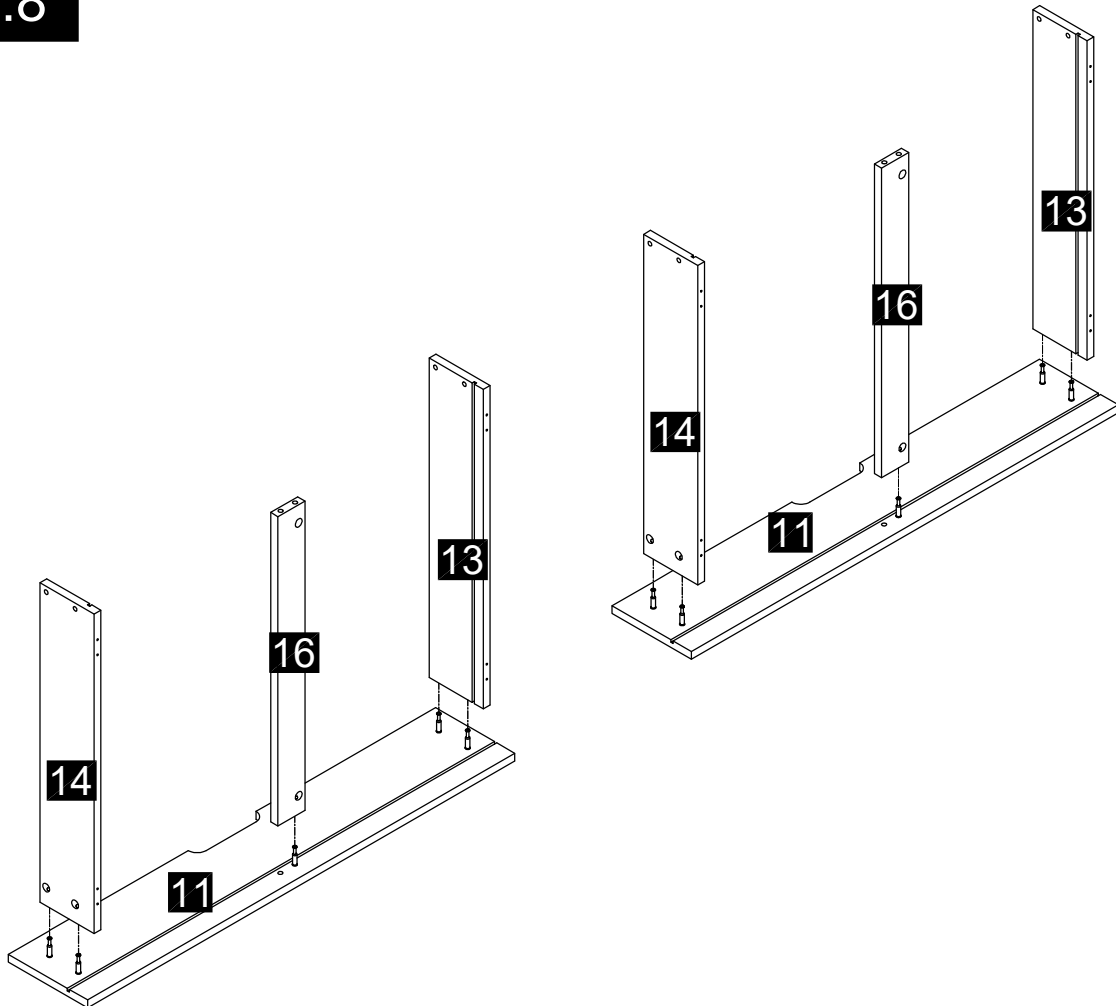


STEP:7

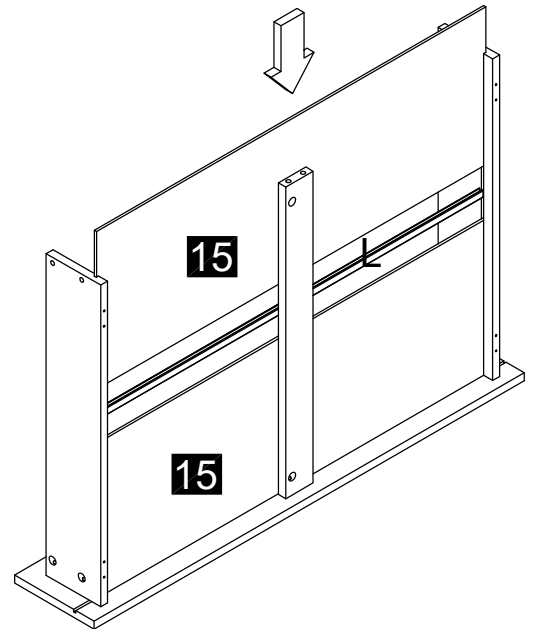
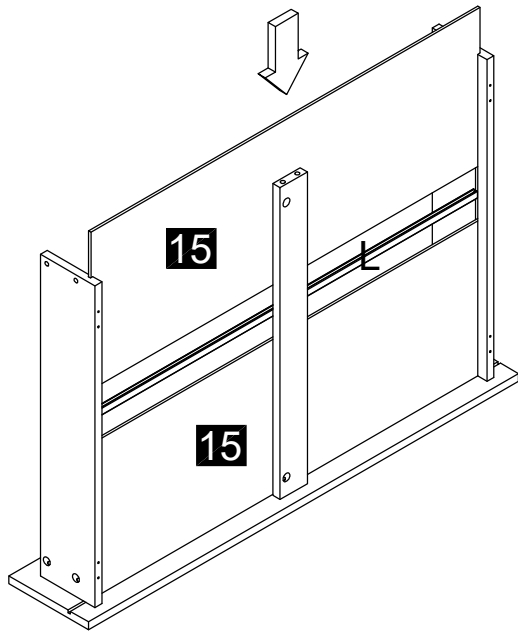



J		12
K		12

STEP:8

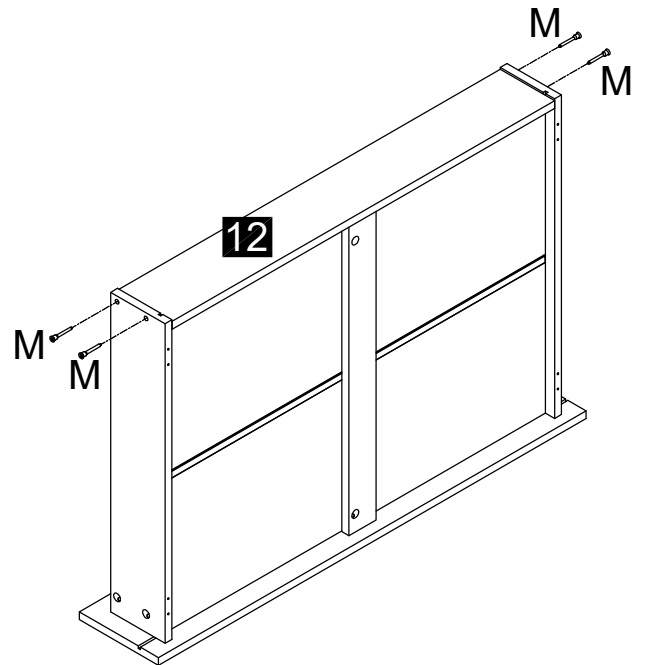
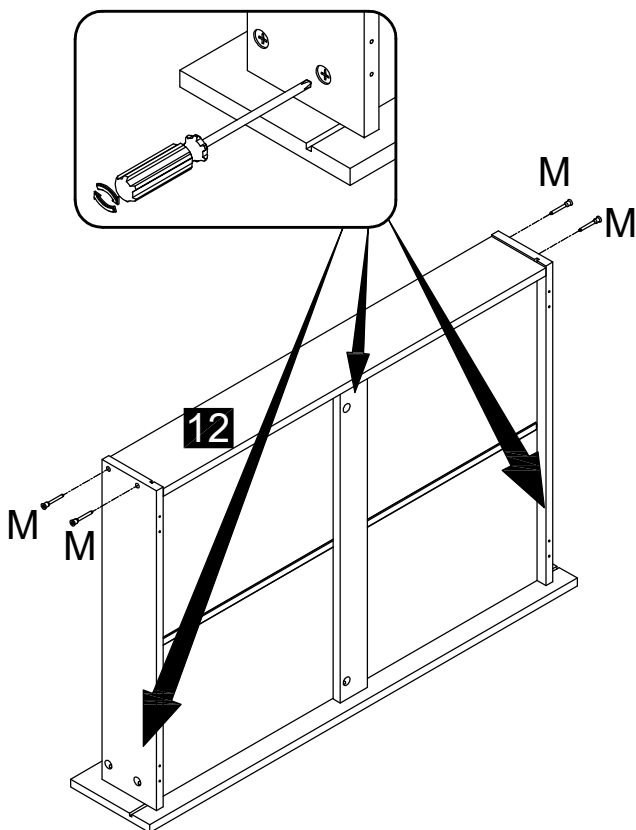



STEP:9



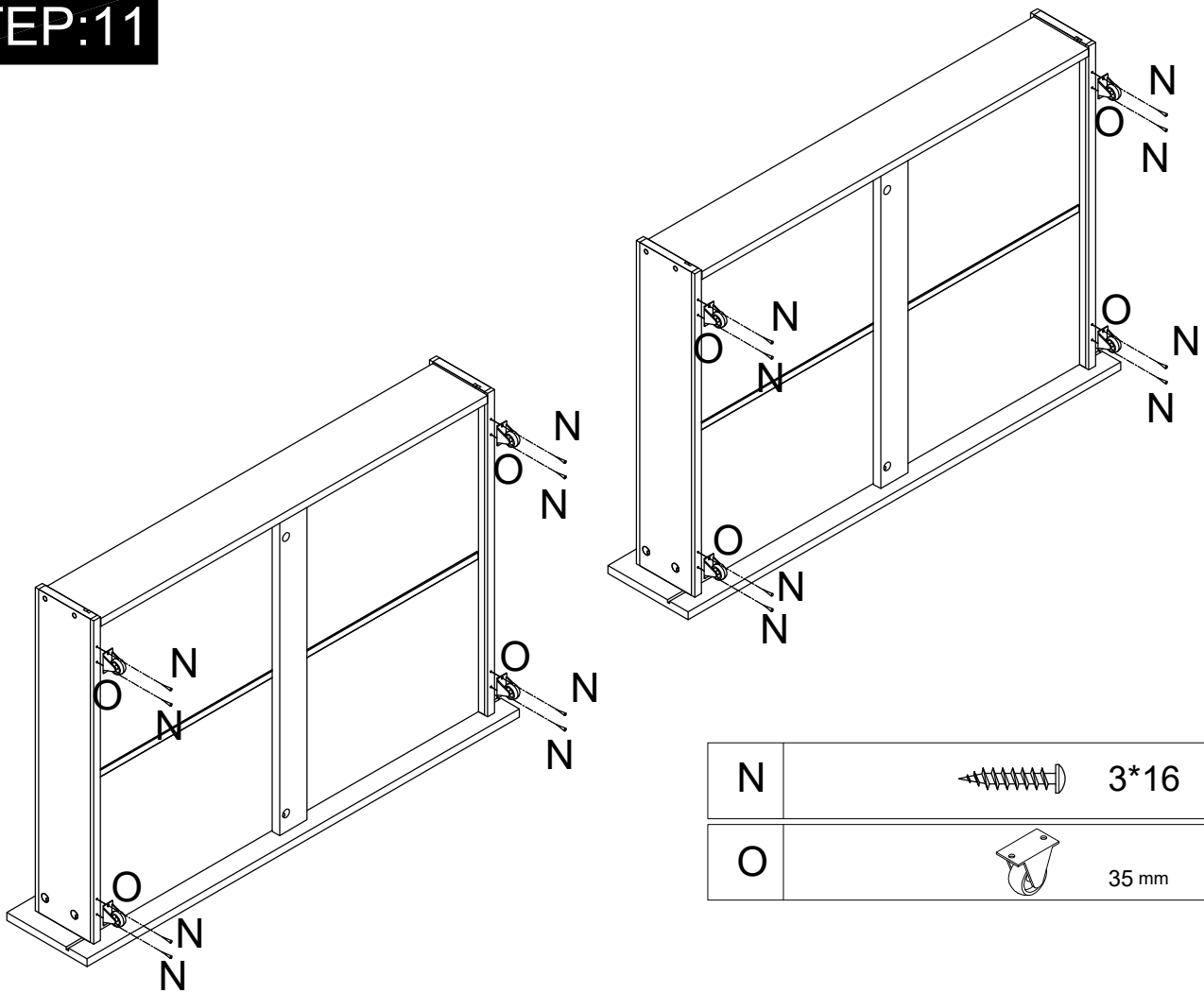
L		840mm	2
---	--	-------	---

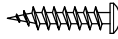

STEP:10



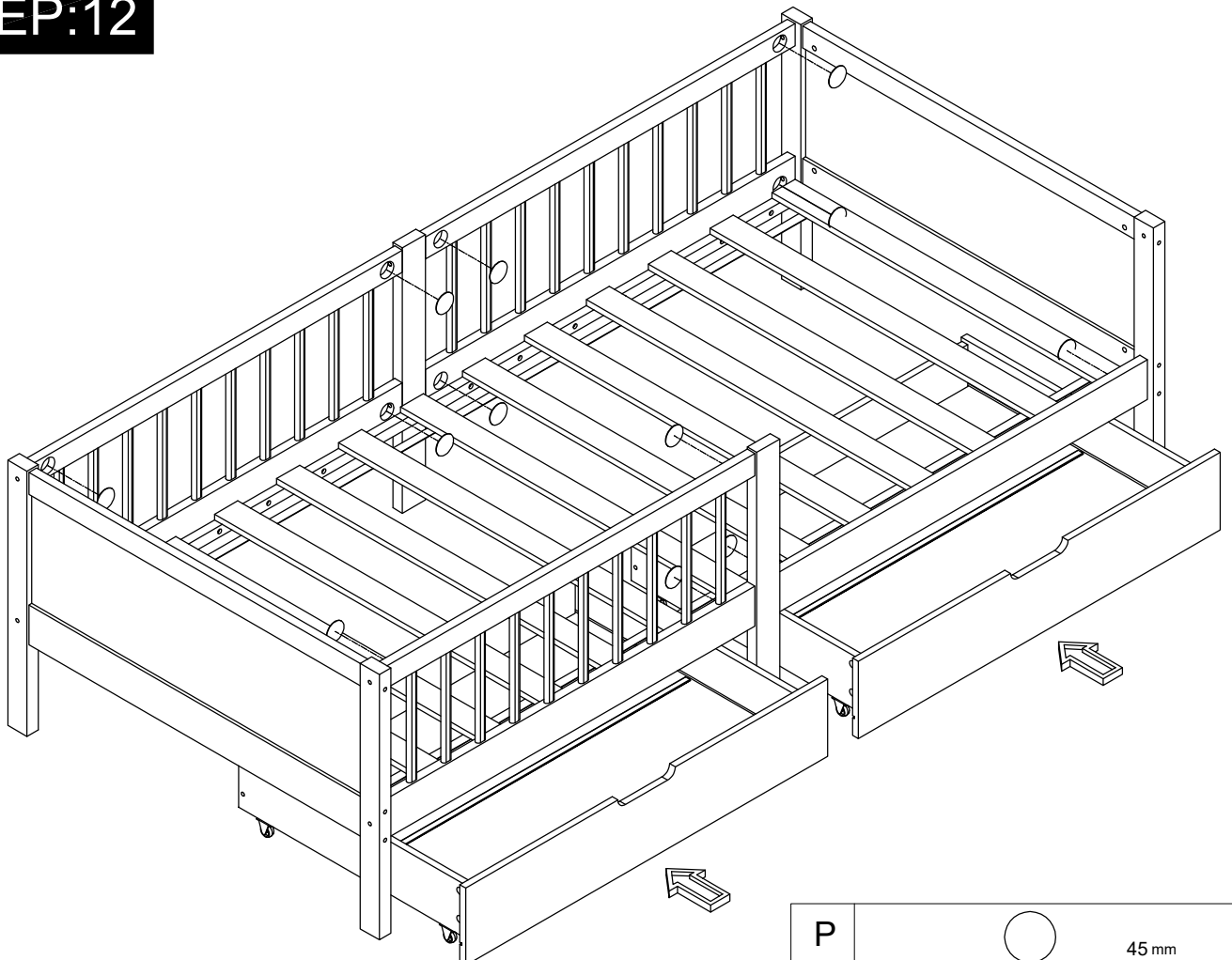
M		Φ7*50mm	8
---	---	---------	---


STEP:11



N		3*16	16
O		35 mm	8

STEP:12



P		45 mm	14
---	---	-------	----