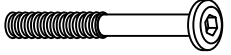


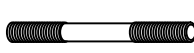


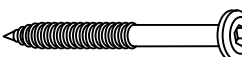




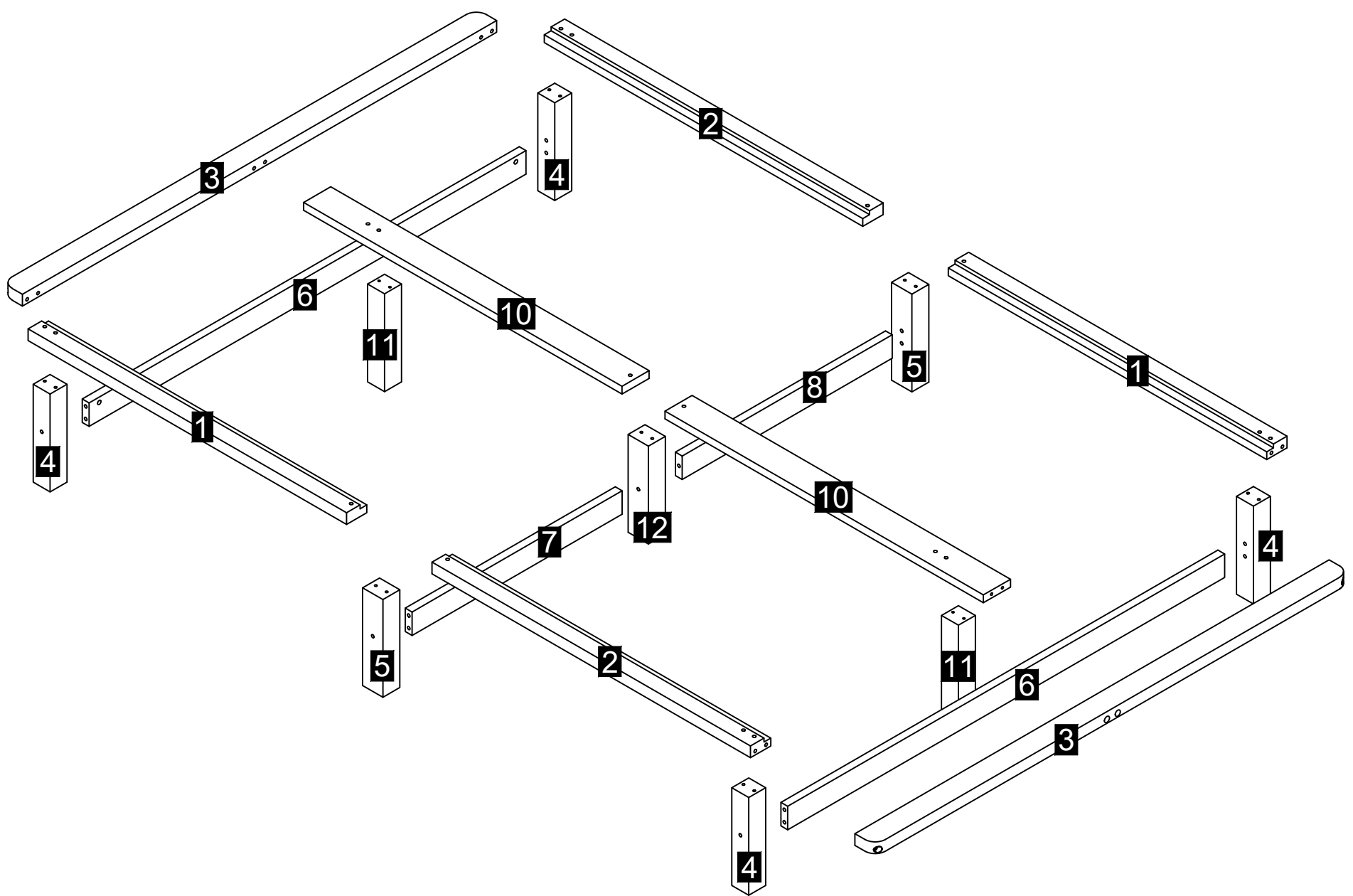
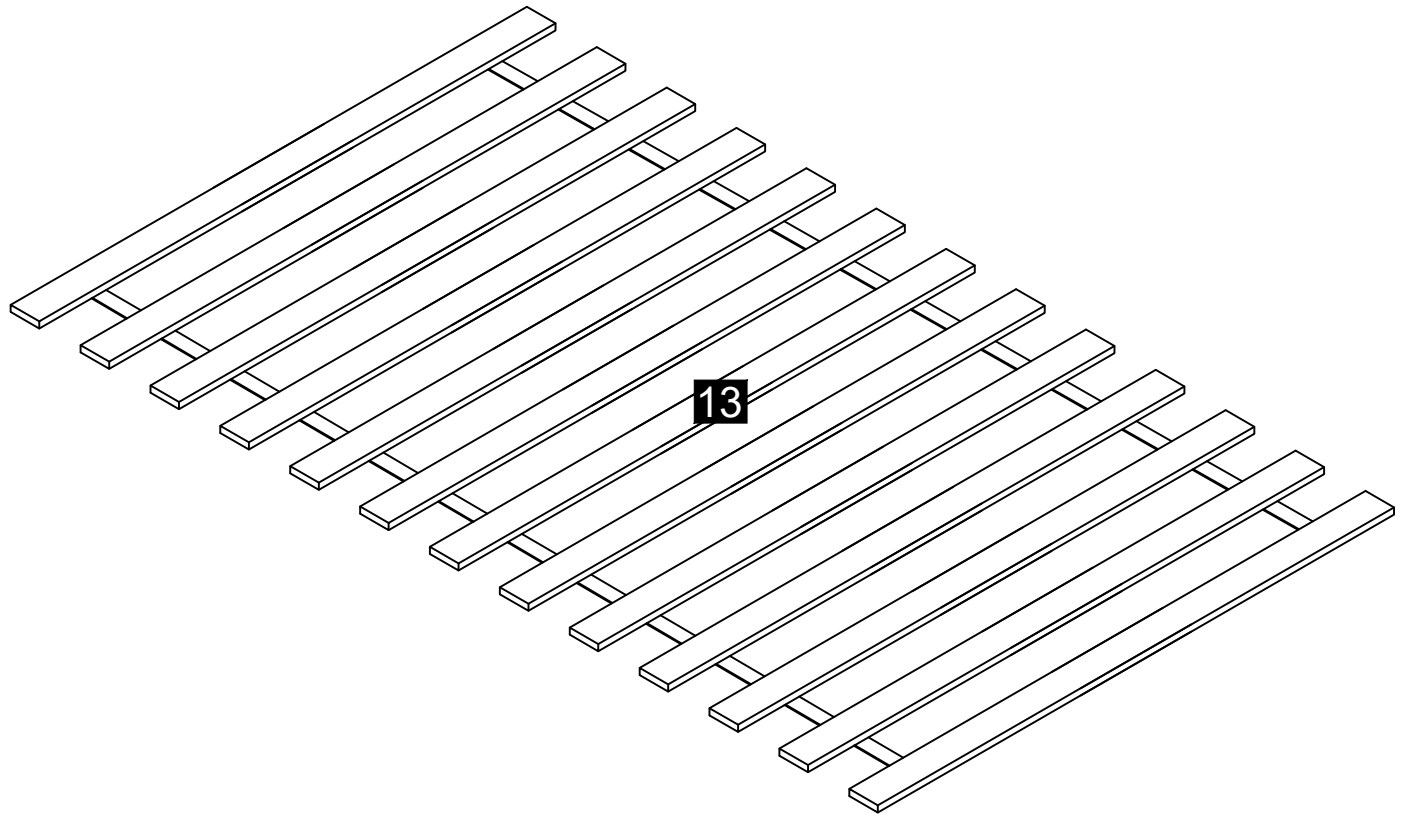
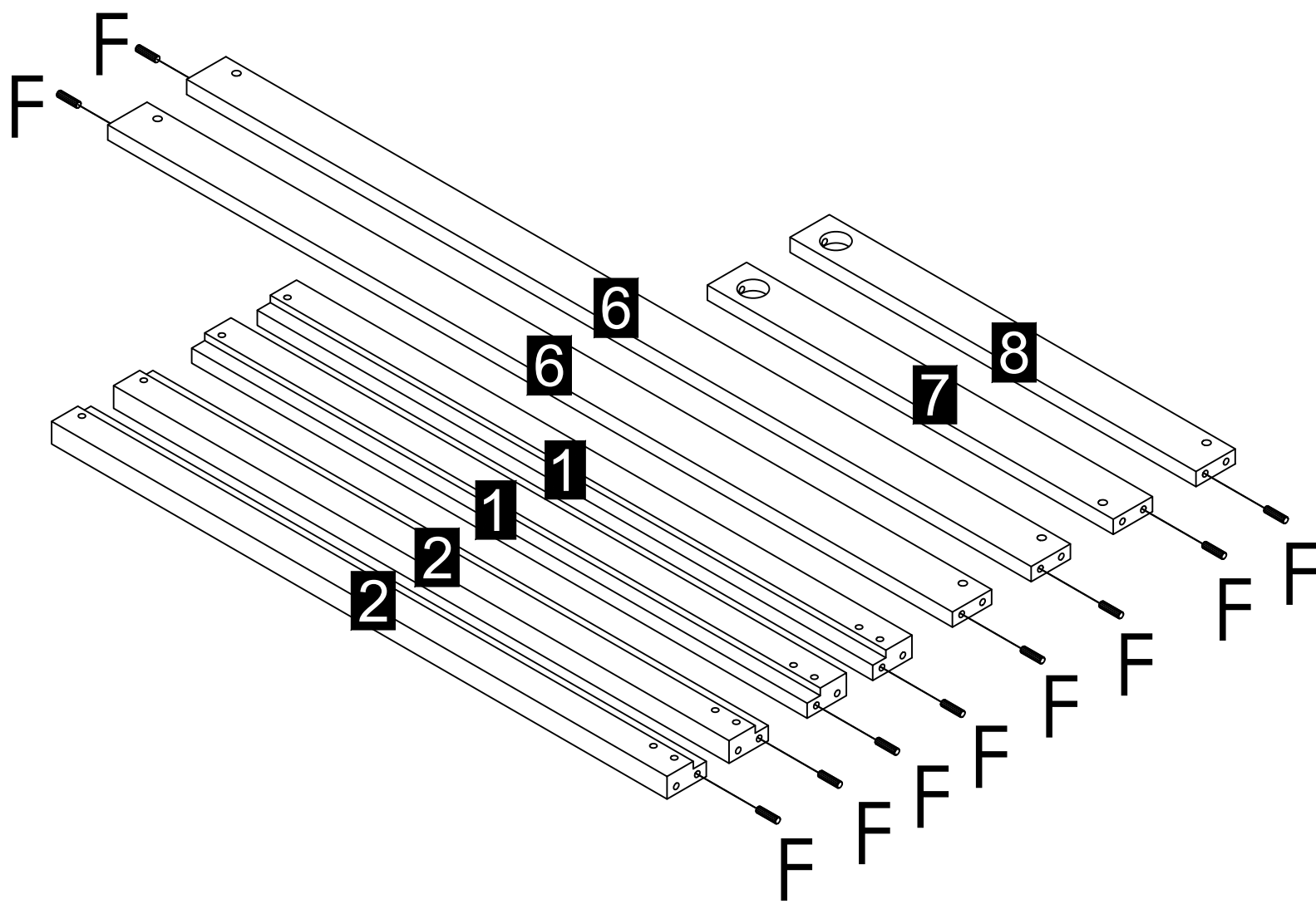



A		M6*90	10
B			10
C		Φ6*70	12
D		M6*120	1
E		M6	2
F		Φ8*30	10
G		Φ6*90	4
H		Φ7*50	6
I		4*30	26
J			1
K			1

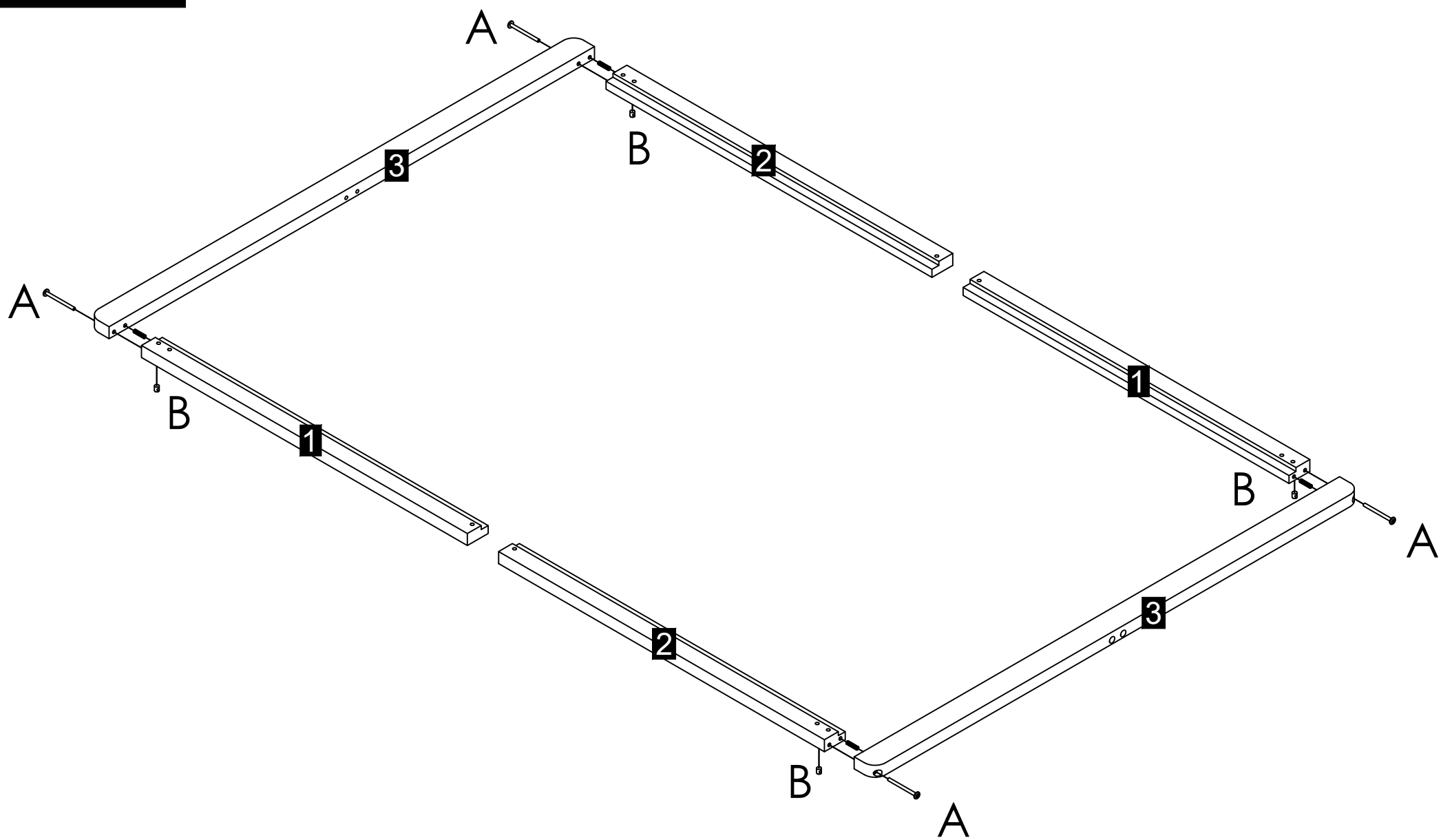


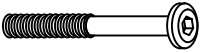

# STEP:1



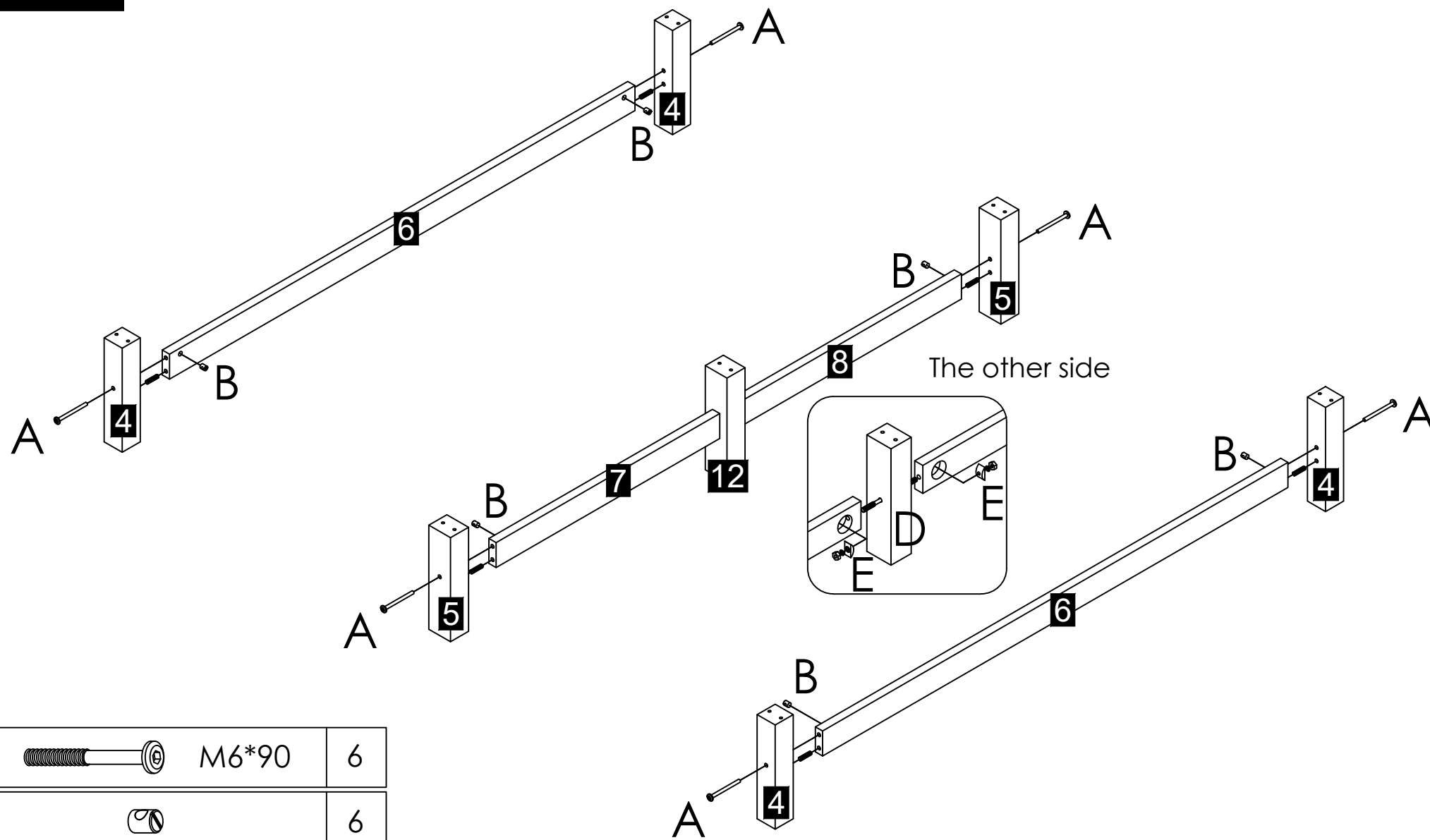
F		Φ8*30	10
---	---	-------	----



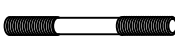


# STEP:2



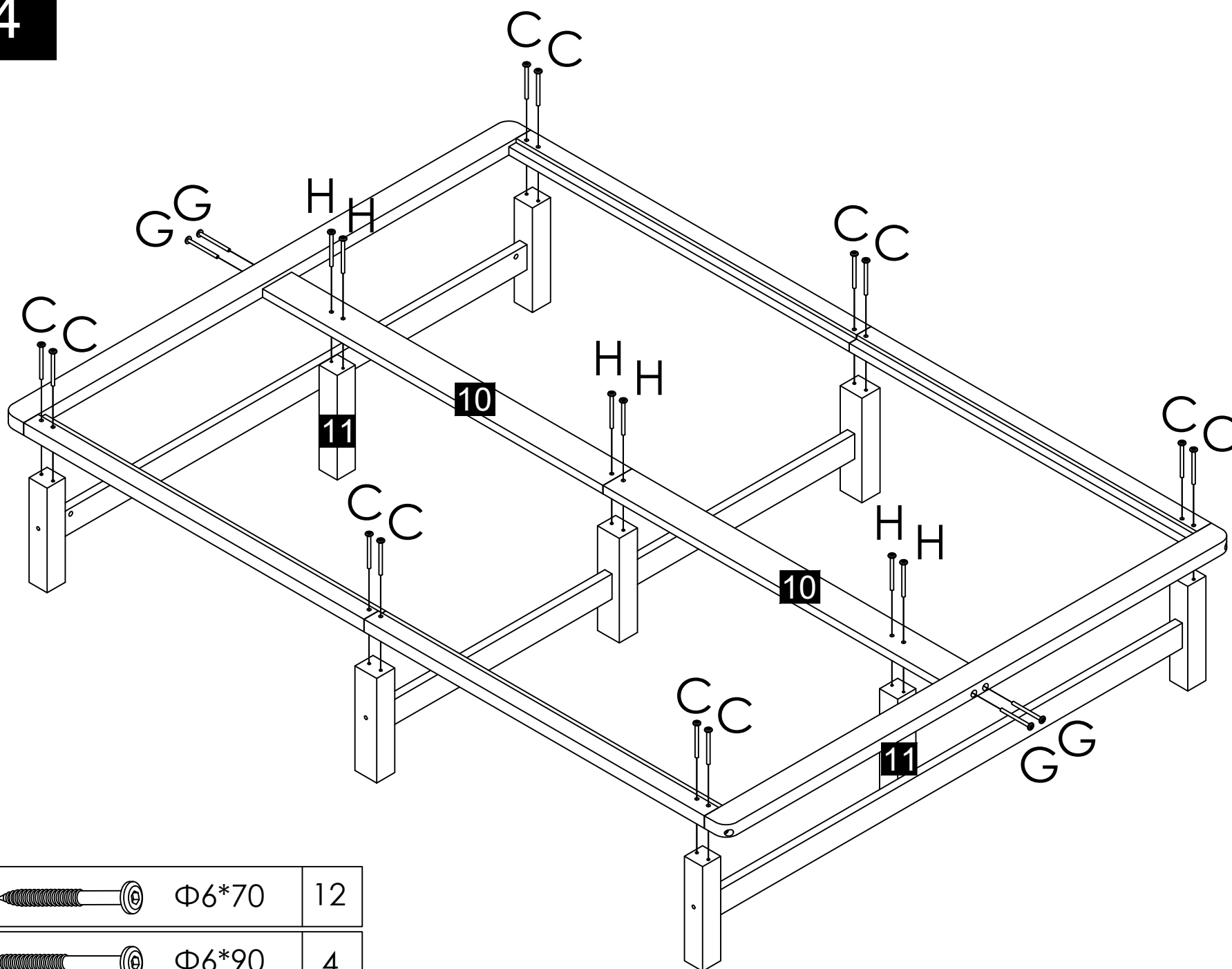
A		M6*90	4
B			4

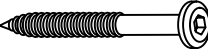
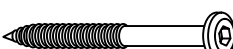

# STEP:3



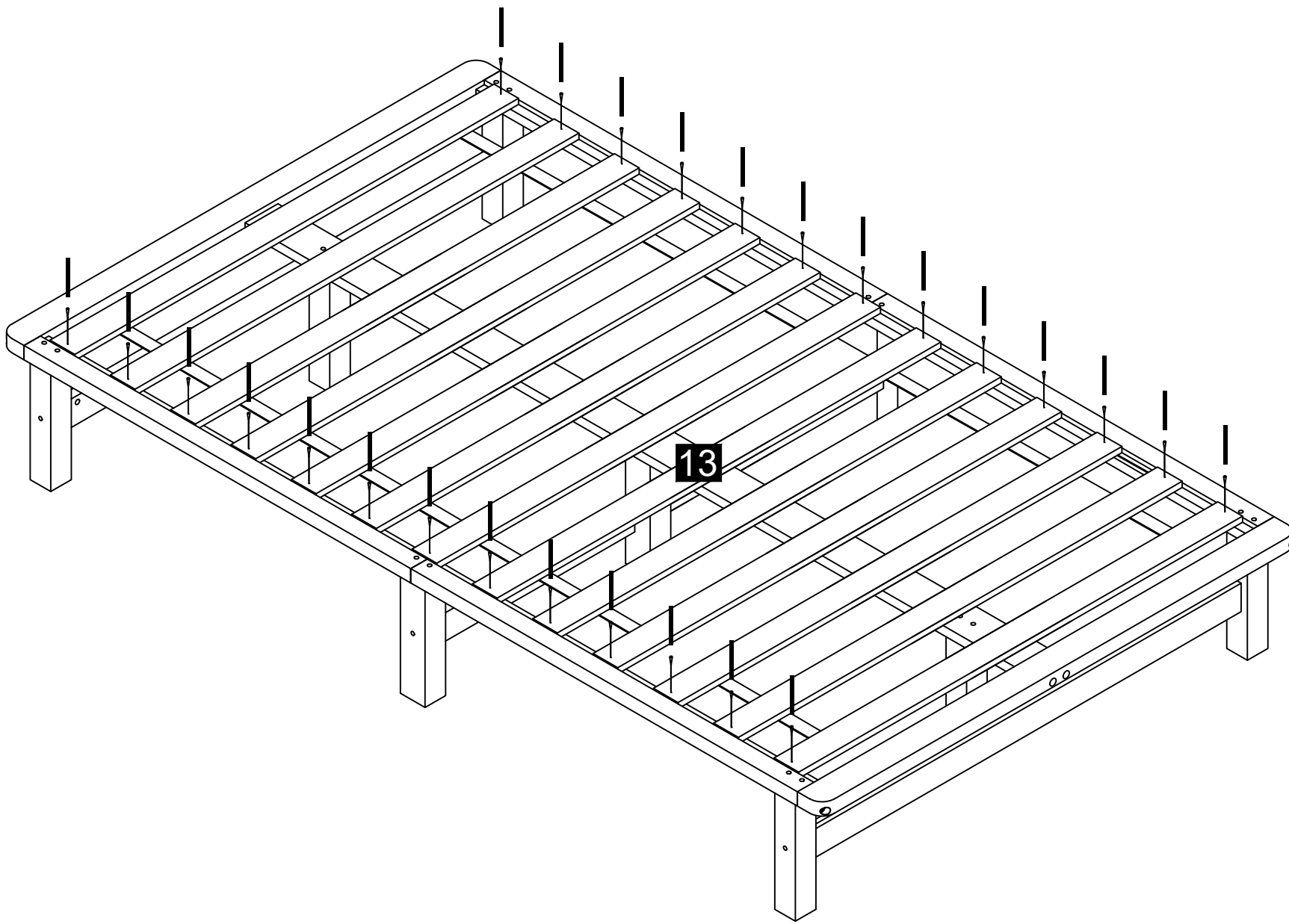
A		M6*90	6
B			6
D		M6*120	1
E		M6	2
K			1


# STEP:4



C		$\Phi 6*70$	12
G		$\Phi 6*90$	4
H		$\Phi 7*50$	6

# STEP:5



1		4*30	26
---	---	------	----