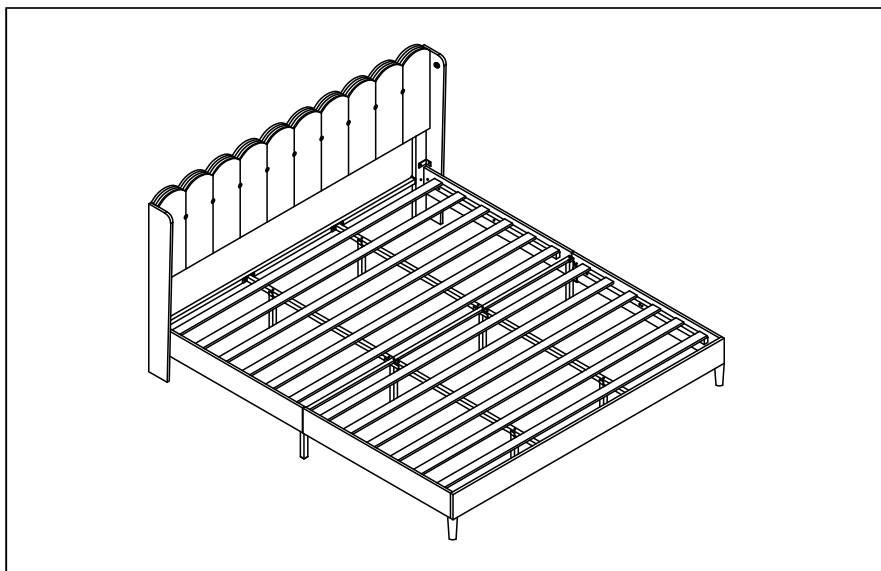


# Montageanleitung | Instructions de montage Assembly Instructions | Instrucciones de montaje

**SKU NUMBER:** N616P428024+N616P428025



**(GB)** This set comes in 2 boxes. If you do not receive a full set of 2 boxes, please contact our customer service.

**(DE)** Dieses Set wird in 2 Schachteln geliefert. Wenn Sie nicht ein komplettes Set von 2 Boxen erhalten, kontaktieren Sie bitte unseren Kundenservice.

**(FR)** Ce set est livré en 2 boîtes. Si vous ne recevez pas un jeu complet de 2 boîtes, veuillez contacter notre service clientèle.



## English

**IMPORTANT ! KEEP FOR FUTURE REFERENCE : READ CAREFULLY**

- To be assembled by an adult. Assembly must be checked by an adult before use
- **WARNING !** Keep all screws, small parts and plastic bags out of the reach of children
- Properly identify all parts before assembling
- Never use your item if any of its parts are broken or missing
- Should any problems arise, please contact our After Sales Service
- Manufacturer's instructions shall be followed at all times
- Care: Clean with a soft, dry cloth. In case of larger stains, carefully rub with a slightly damp, non-abrasive sponge
- Avoid the risk of fire by not placing furniture near sources of ignition or hot items
- Do not jump on the bed

## Deutsch

**WICHTIG ! ZUM SPÄTEREN NACHSCHLAGEN AUFBEWAHREN: SORGFÄLTIG LESEN**

- Muss von einem Erwachsenen zusammengebaut werden. Der Zusammenbau muss vor dem Gebrauch von einem Erwachsenen überprüft werden
- **WARNUNG!** Bewahren Sie alle Schrauben, Kleinteile und Plastikbeutel außerhalb der Reichweite von Kindern auf
- Kennzeichnen Sie vor dem Zusammenbau alle Teile richtig
- Benutzen Sie Ihren Artikel niemals, wenn Teile gebrochen sind oder fehlen
- Sollten Probleme auftreten, wenden Sie sich bitte an unseren Kundendienst
- Die Anweisungen des Herstellers sind stets zu befolgen
- Pflege: Mit einem weichen, trockenen Tuch reinigen. Bei größeren Flecken vorsichtig mit einem leicht feuchten, nicht scheuernden Schwamm abreiben. nicht scheuernden Schwamm
- Vermeiden Sie die Gefahr eines Brandes, indem Sie die Möbel nicht in der Nähe von Zündquellen oder heißen Gegenständen aufstellen
- Nicht auf das Bett springen

## Français

**IMPORTANT ! CONSERVER POUR RÉFÉRENCE ULTÉRIEURE : LIRE ATTENTIVEMENT**

- Le montage doit être effectué par un adulte. Le montage doit être vérifié par un adulte avant utilisation
- **ATTENTION !** Tenir les vis, les petites pièces et les sachets en plastique hors de portée des enfants
- Identifiez correctement toutes les pièces avant de les assembler
- N'utilisez jamais votre article si l'une de ses pièces est cassée ou manquante
- En cas de problème, veuillez contacter notre service après-vente
- Les instructions du fabricant doivent être respectées à tout moment
- Entretien : nettoyer avec un chiffon doux et sec. En cas de taches plus importantes, frotter soigneusement avec une éponge non abrasive légèrement humide. légèrement humide et non Abrasive
- Évitez les risques d'incendie en ne plaçant pas les meubles à proximité de sources d'inflammation ou d'objets chauds
- Ne pas sauter sur le lit

Italiano

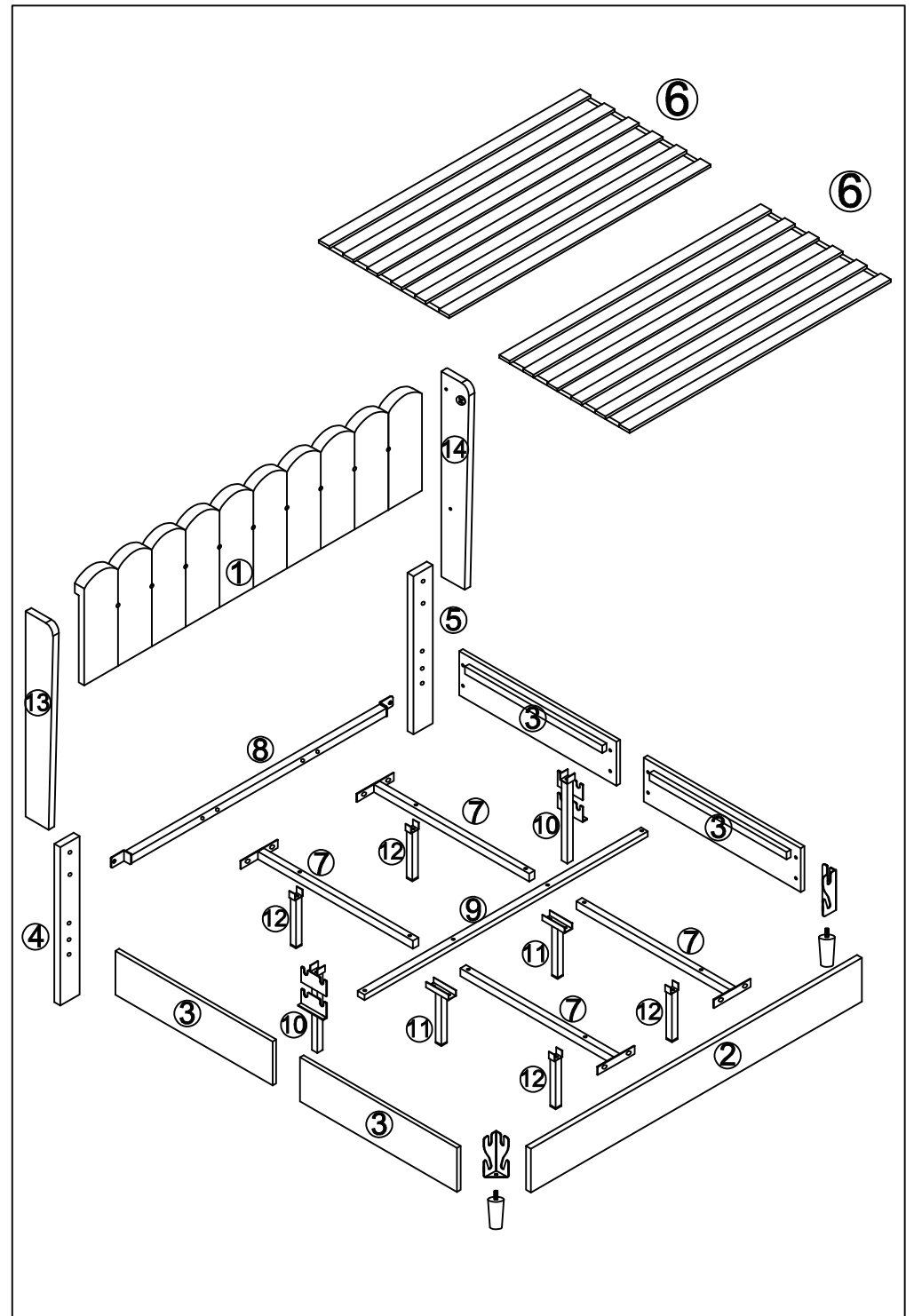
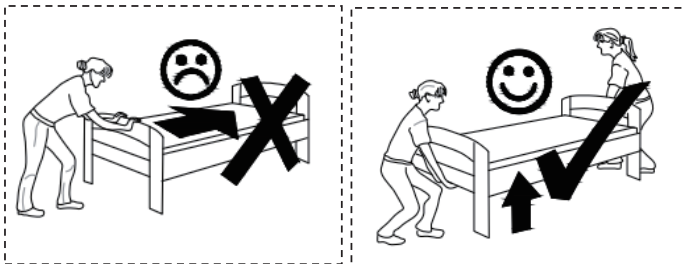
**IMPORTANTE! CONSERVARE PER RIFERIMENTO FUTURO: LEGGERE ATTENTAMENTE**

- Deve essere assemblato da un adulto. L'assemblaggio deve essere controllato da un adulto prima dell'uso
- **ATTENZIONE!** Tenere tutte le viti, le piccole parti e i sacchetti di plastica fuori dalla portata dei bambini
- Identificare correttamente tutte le parti prima dell'assemblaggio
- Non utilizzare mai l'articolo se alcune parti sono rotte o mancanti
- In caso di problemi, si prega di contattare il nostro Servizio Post Vendita
- Le istruzioni del produttore devono essere sempre seguite
- Cura: Pulire con un panno morbido e asciutto. In caso di macchie più estese, strofinare accuratamente con una spugna leggermente umida e non spugna leggermente umida e non abrasiva
- Evitare il rischio di incendio, non collocando i mobili vicino a fonti di accensione o a oggetti caldi
- Non saltare sul letto

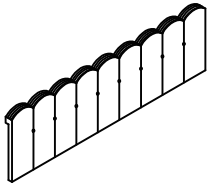
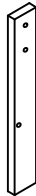



Español

**¡ IMPORTANTE ! CONSERVELO PARA FUTURAS CONSULTAS: LEA ATENTAMENTE**

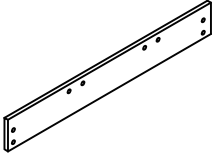
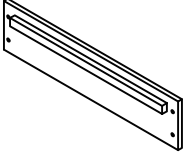
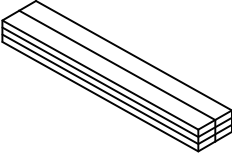
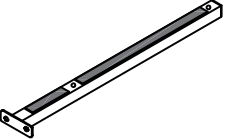
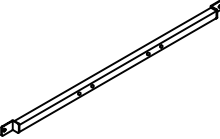
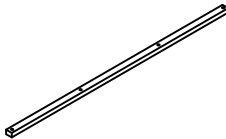

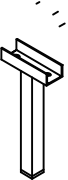

- Debe ser montado por un adulto. El montaje debe ser comprobado por un adulto antes del uso
- **ADVERTENCIA** Mantenga todos los tornillos, piezas pequeñas y bolsas de plástico fuera del alcance de los niños.
- Identifique correctamente todas las piezas antes de montarlas
- Nunca utilice su artículo si alguna de sus piezas está rota o falta
- Si surge algún problema, póngase en contacto con nuestro Servicio Postventa
- Las instrucciones del fabricante deben seguirse en todo momento
- Cuidado: Limpiar con un paño suave y seco. En caso de manchas más grandes, frote cuidadosamente con una esponja no abrasiva ligeramente humedecida.
- Evite el riesgo de incendio no colocando los muebles cerca de fuentes de ignición u objetos calientes.
- No saltar sobre la cama.



N616P428024



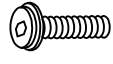







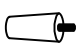
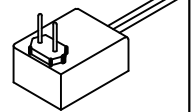
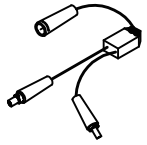
①		1pc	④		1pc
⑤		1pc	⑬		1pc
⑭		1pc			





N616P428025

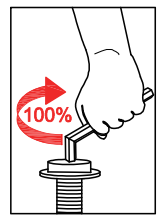
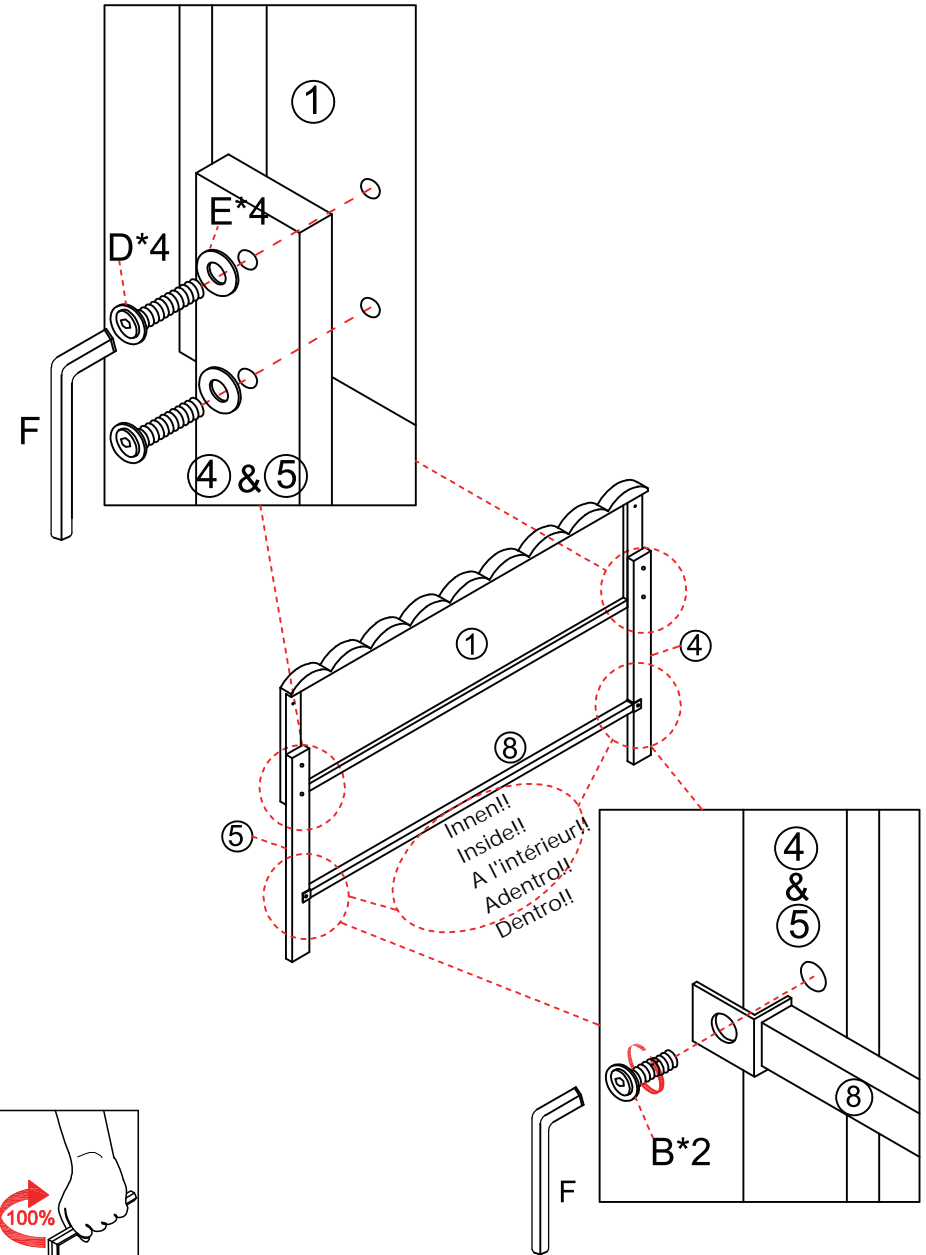
②		1pc	③		4pcs
⑥		2sets	⑦		4pcs
⑧		1pc	⑨		1pc
⑩		2pcs	⑪		2pcs
⑫		4pcs			

# Hardware List-Hardware-Liste-Liste du matériel

N616P428025

(A)	 M8 x 18	28	(B)	 M8 x 25	16
(C)	 M8 x 35	8	(D)	 M8 x 45	6
(E)		4	(F)	 M5	1
(G)		2	(H)		1
(I)		1	(J)		4
(K)		2	(L)		1
(M)		1			

1	 M8*25 B*2PCS	 M8*45 D*4PCS	 E*4PCS	 F*1PC
---	---	---	--	---



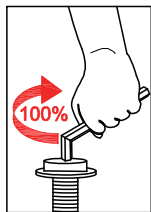
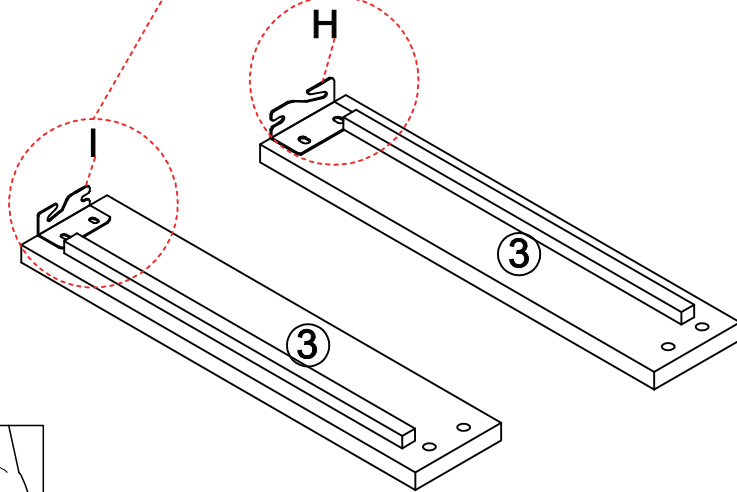
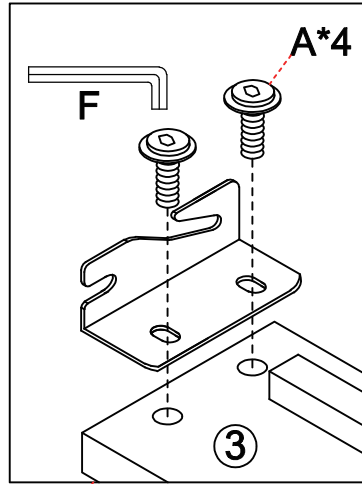
2

H\*1PC

I\*1PC

M8\*18  
A\*4PCS

F\*1PC

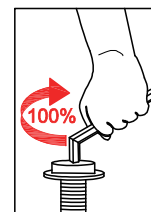
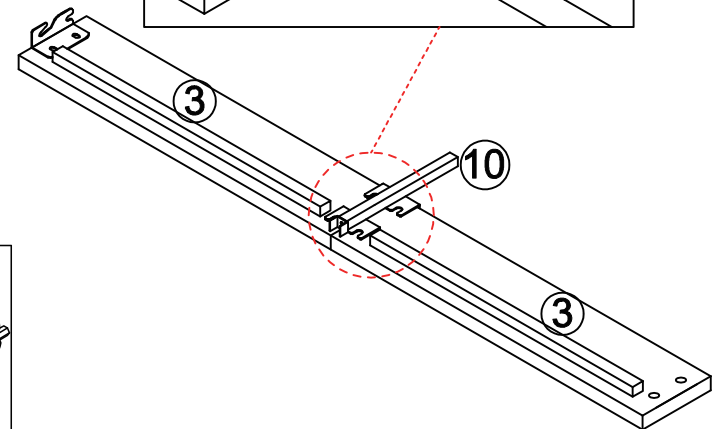
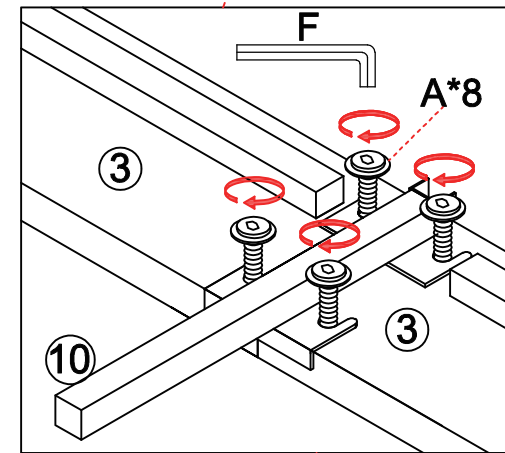
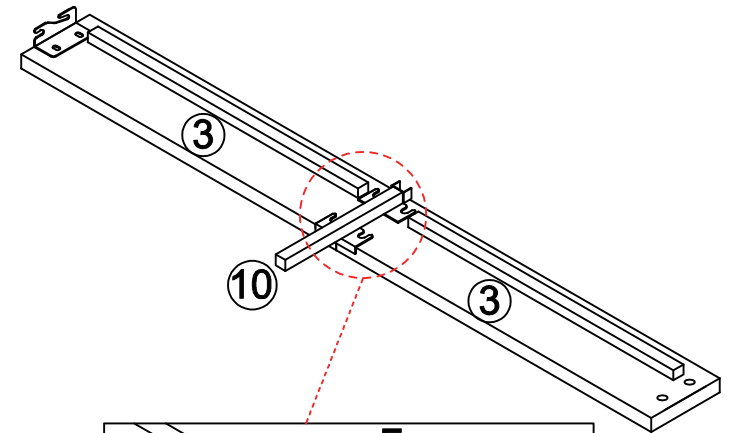


9

3

M8\*18  
A\*8PCS

F\*1PC

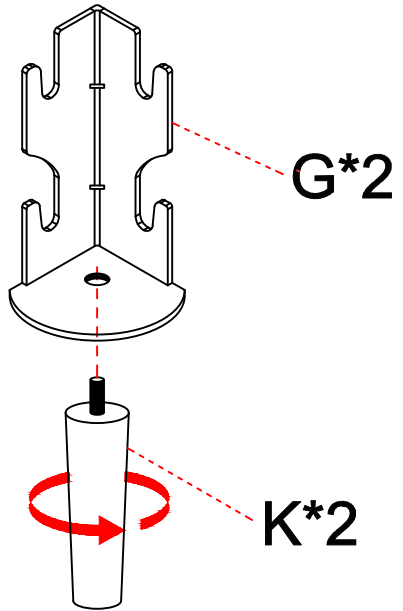


10

4



G\*2PCS K\*2PCS



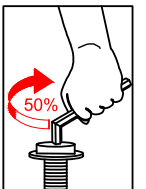
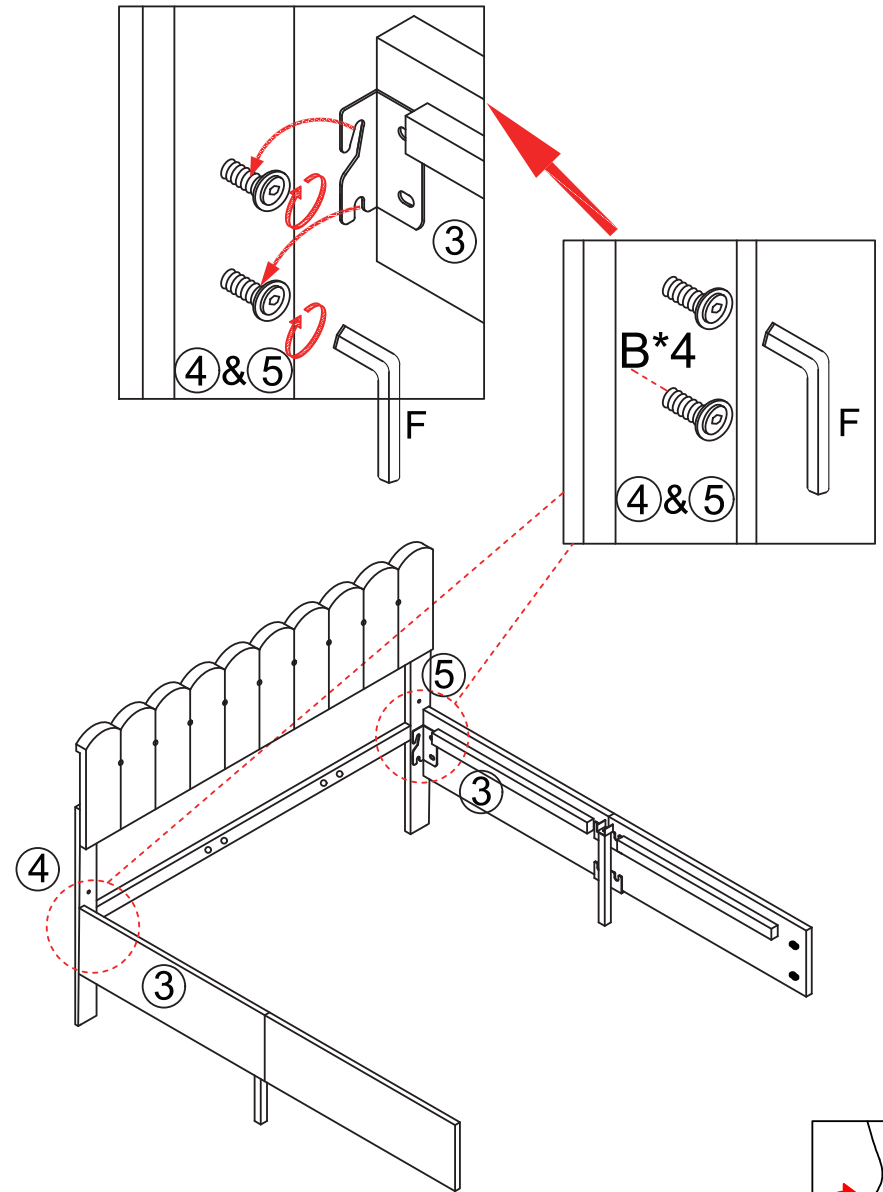
11

5

M8\*25  
B\*4PCS



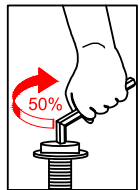
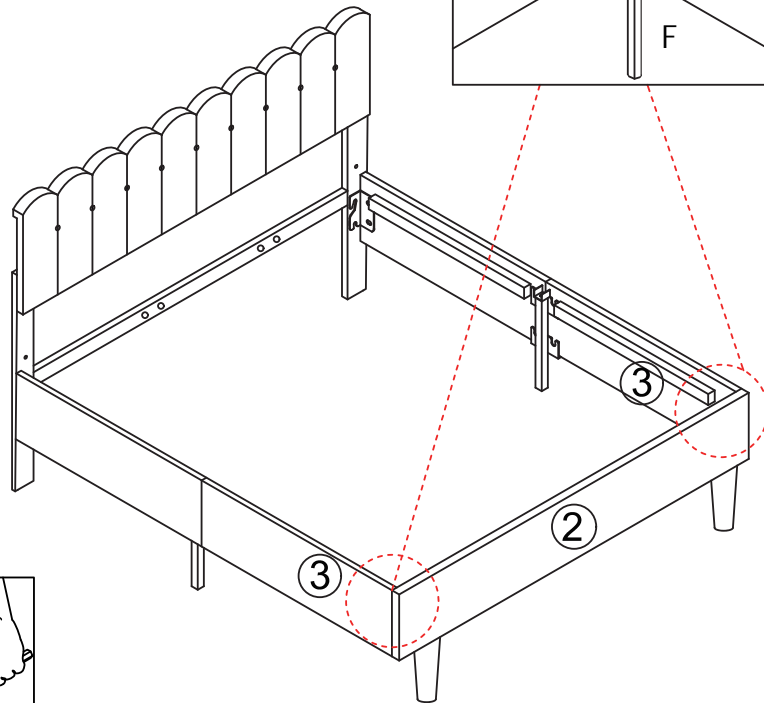
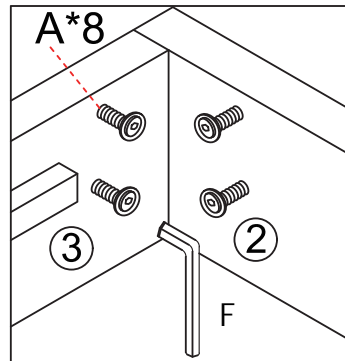
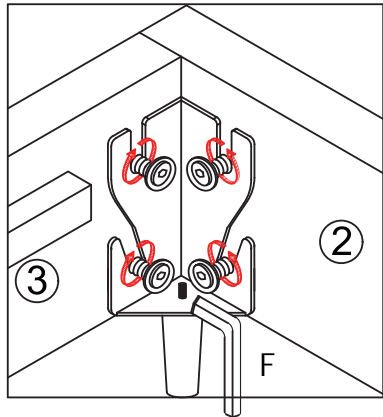
F\*1PC



12

6

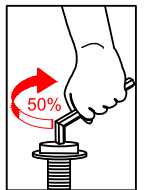
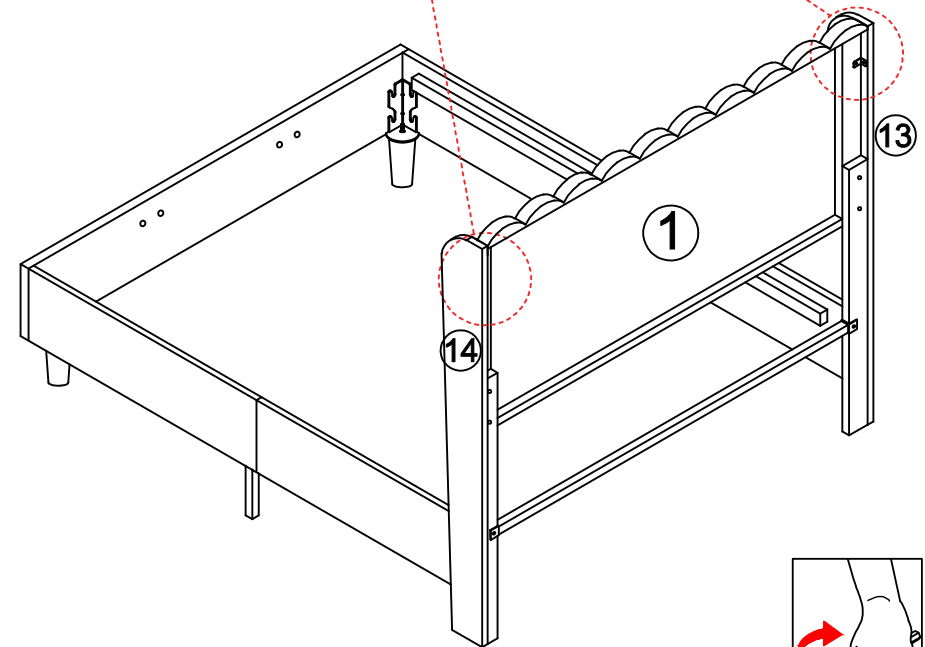
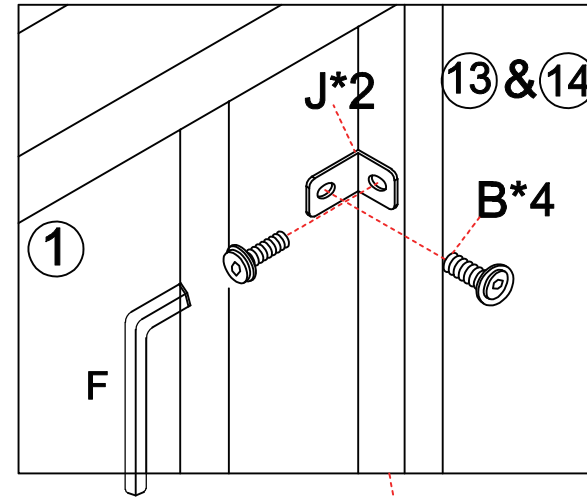
M8\*18  
A\*8PCS F\*1PC



13

7

M8\*25  
B\*4PCS J\*2PCS F\*1PC

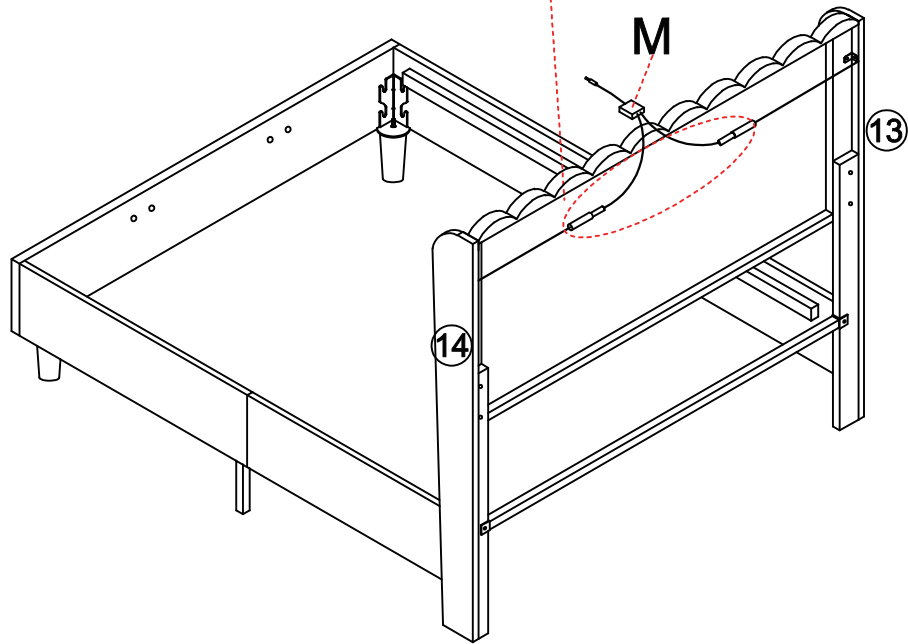
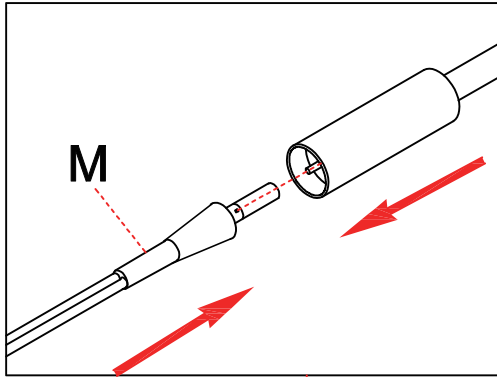


14

8



M\*1PC



15

9

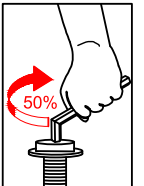
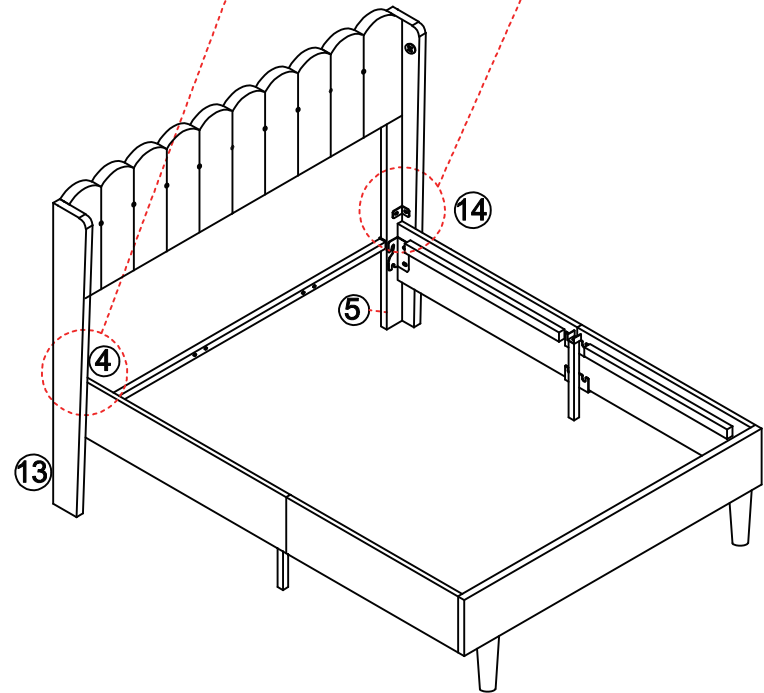
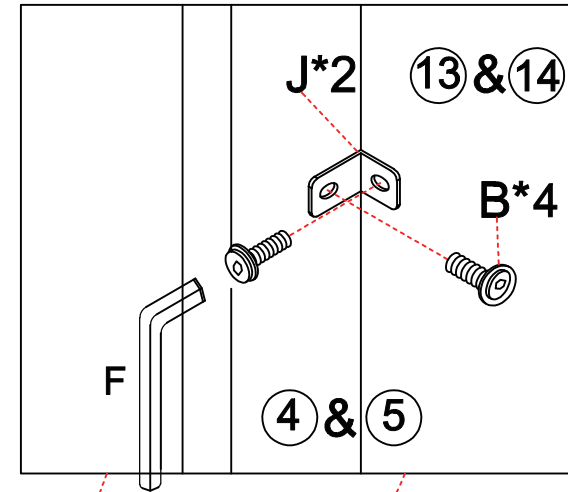
M8\*25  
B\*4PCS



J\*2PCS



F\*1PC

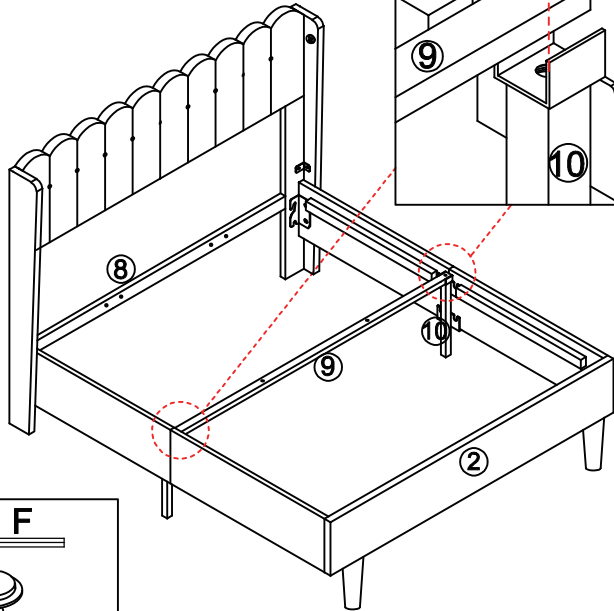
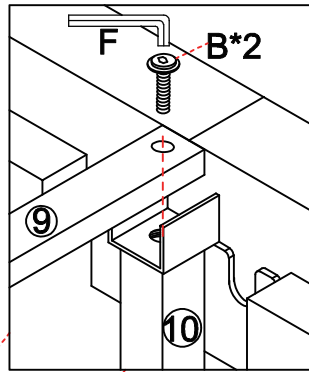


16

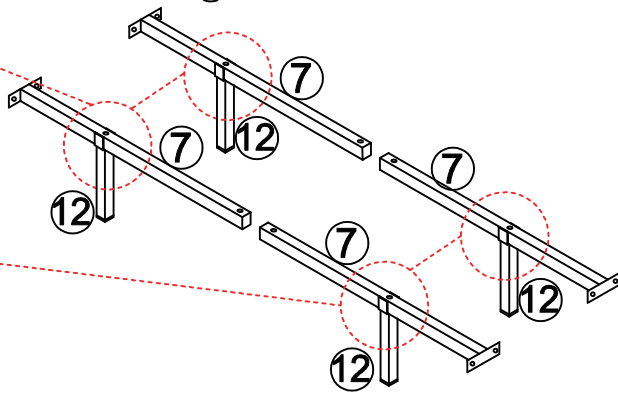
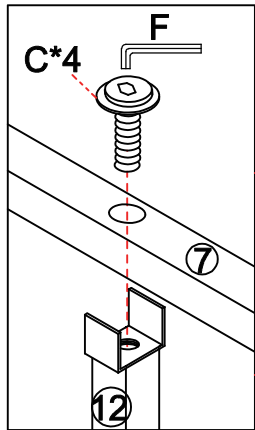
10

- M8\*25 B\*2PCS
- M8\*35 C\*4PCS
- F\*1PC

10-2



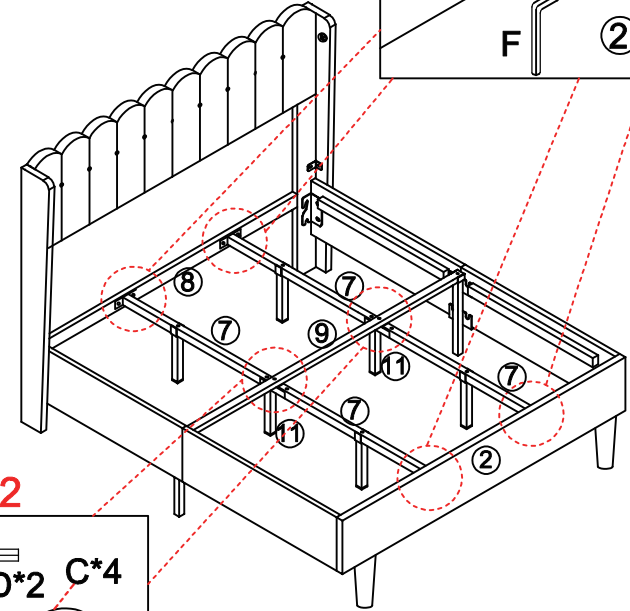
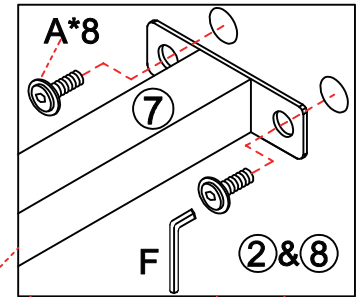
10-1



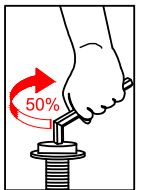
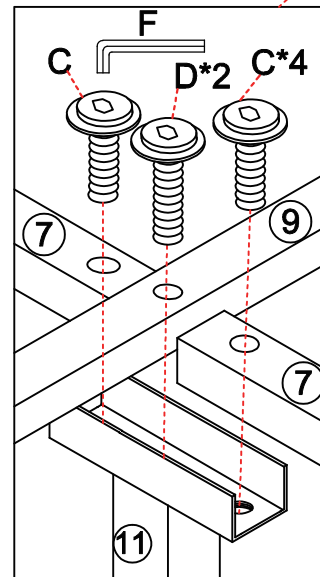
11

- M8\*18 A\*8PCS
- M8\*35 C\*4PCS
- M8\*45 D\*2PCS
- F\*1PC

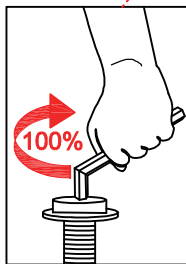
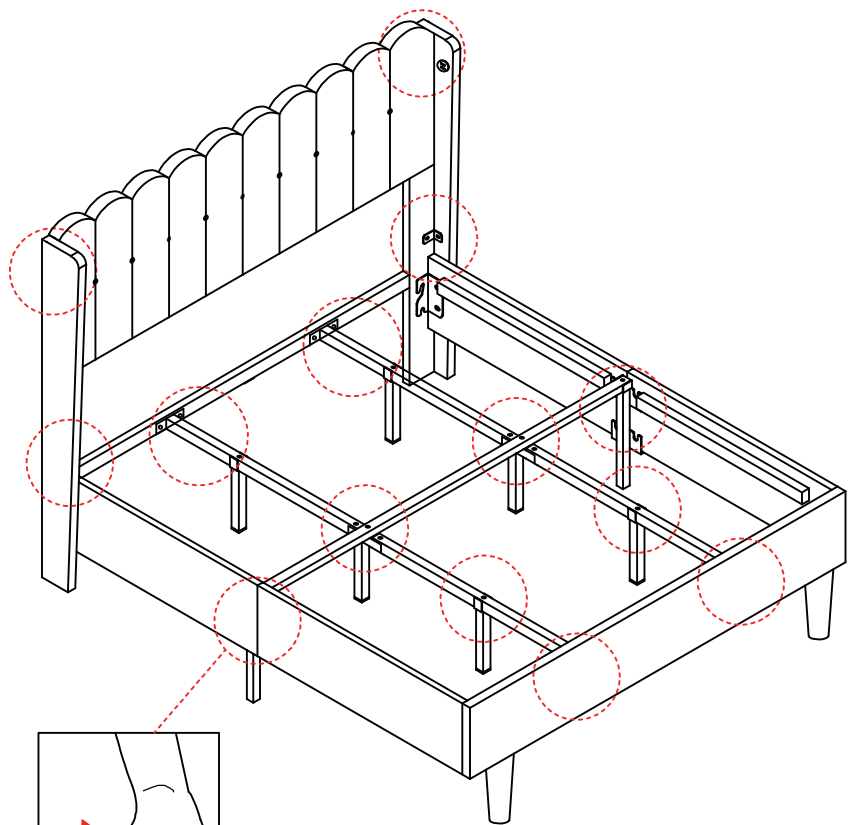
11-1



11-2

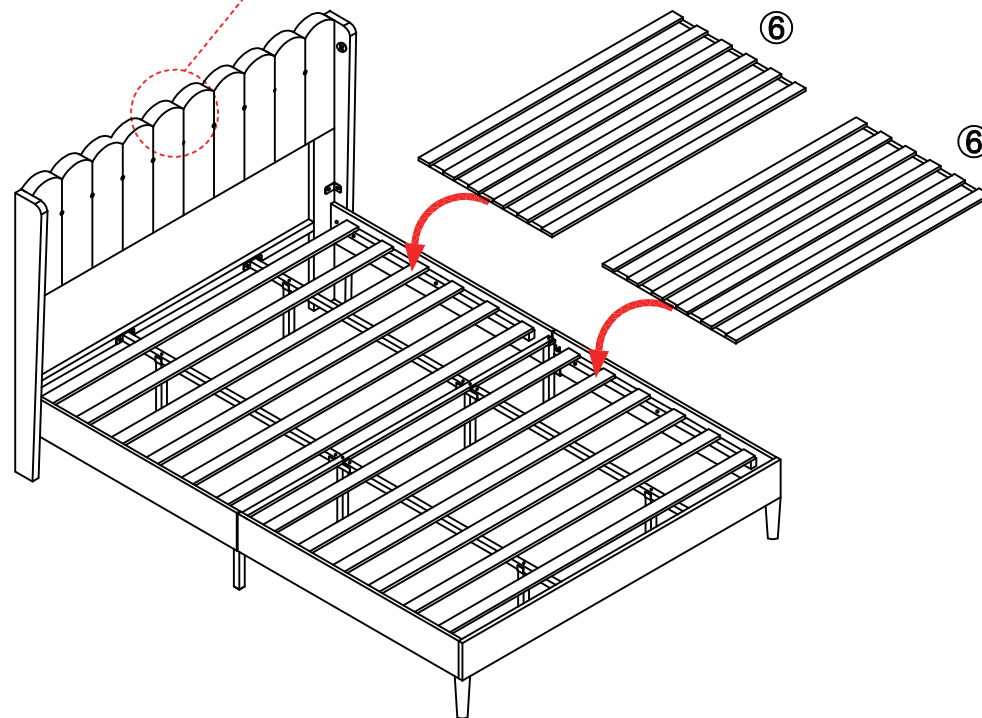
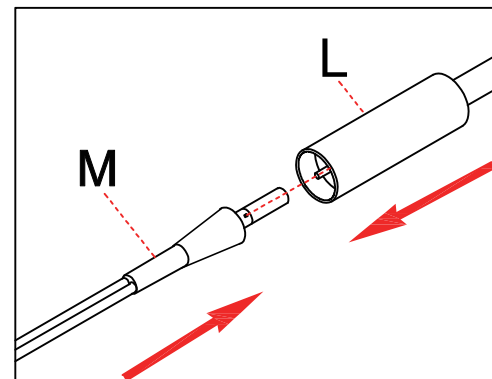
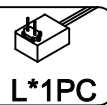


12

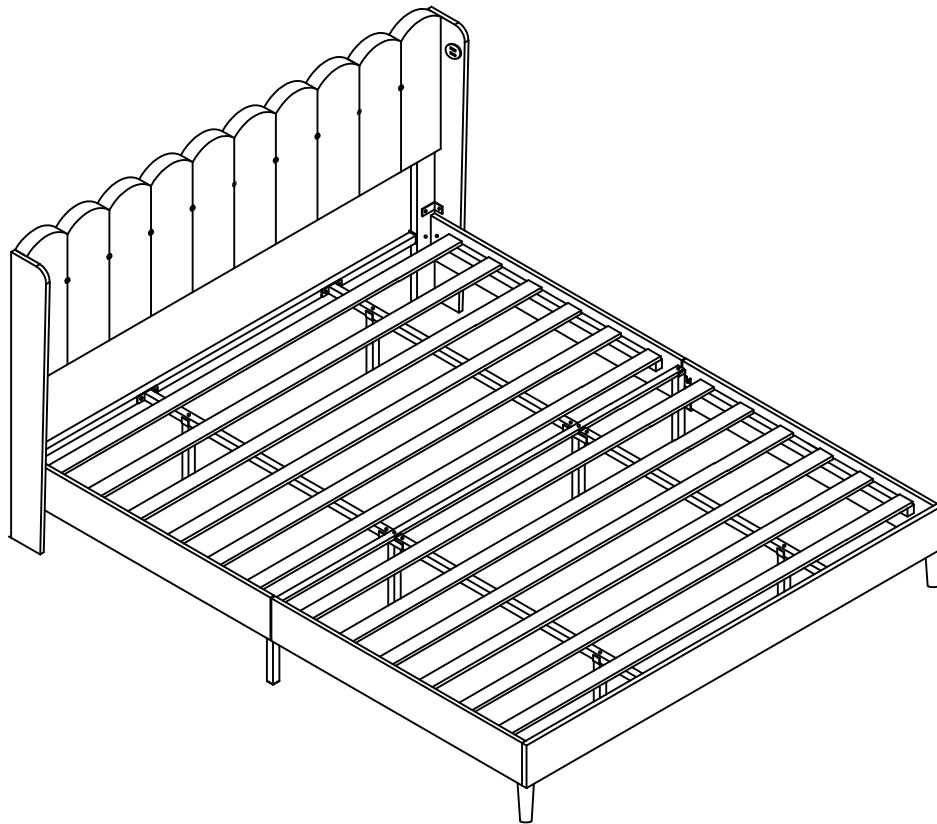


19

13



20



## Attestation of Conformity

No. N8A 103501 0119 Rev. 00

**Holder of Certificate:** Shenzhen Jiuzhou Power  
**Technology Co., Ltd.**  
 4/F First Block, Jinmeiwei First Industrial Park  
 West of Xingye Road, Heyi  
 Shajing Town, Baoan District  
 518104 Shenzhen, Guangdong  
 PEOPLE'S REPUBLIC OF CHINA

**Product:** Adaptors  
 (AC/DC ADAPTER)

This Attestation of Conformity is issued on a voluntary basis according to the Low Voltage Directive 2014/35/EU relating to electrical equipment designed for use within certain voltage limits. It confirms that the listed equipment complies with the principal protection requirements of the directive and is based on the technical specifications applicable at the time of issuance. It refers only to the particular sample submitted for testing and certification. For details see: [www.tuvsud.com/ps-cert](http://www.tuvsud.com/ps-cert)

**Test report no.:** 652102123901

**Date,** 2022-06-21

( Rickyet Wang )

Page 1 of 3

After preparation of the necessary technical documentation as well as the EU declaration of conformity the required CE marking can be affixed on the product. The declaration of conformity is issued under the sole responsibility of the manufacturer. Other relevant EU-directives have to be observed.

TÜV SÜD Product Service GmbH • Certification Body • Ridlerstraße 65 • 80339 Munich • Germany



Product Service

## Attestation of Conformity

No. N8A 103501 0119 Rev. 00

### Model(s):

J121-xxxxxxxwX, J061-xxxxxxxwX,  
 J121-050yyyywU, J061-050yyyywU,  
 J121L-xxxxxxxIX, J061L-xxxxxxxIX,  
 J121L-050yyyyIU, J061L-050yyyyIU,  
 J121L-xxxxxxxEX, J061L-xxxxxxxEX,  
 J121L-050yyyyEU, J061L-050yyyyEU  
 (xxx=045-300, stand for rated output voltage from  
 4.5VDC to 30.0VDC; yyyy=0001-2100, stand for  
 rated output current from 0.001A to 2.1A; w=E or B,  
 represent for different mains plug, E means  
 European plug; B means British plug).  
 J150-xxxxxxxEX, J150-050yyyyEU,  
 J012-xxxxxxxEX, J012-050yyyyEU,  
 J180-xxxxxxxwX, J151-xxxxxxxwX,  
 J180-050yyyywU, J151-050yyyywU,  
 J180-xxxxxxxIX, J151-xxxxxxxIX,  
 J180-050yyyyIU, J151-050yyyyIU,  
 J180A-xxxxxxxwX, J151A-xxxxxxxwX,  
 J180A-050yyyywU, J151A-050yyyywU,  
 J180A-xxxxxxxIX, J151A-xxxxxxxIX,  
 J180A-050yyyyIU, J151A-050yyyyIU,  
 J180C-xxxxxxxwX  
 (xxx=045-300, stand for rated output voltage from  
 4.5VDC to 30.0VDC; yyyy=0010-3000, stand for  
 rated output current from 0.01A to 3.0A; w=E or B,  
 represent for different mains plug, E means  
 European plug; B means British plug).

### Brand:

rniao



### Parameters:

Rated Input: 100-240VAC, 50/60Hz, 0.6A  
 Rated Output: See below table for details  
 Protection Class: II  
 Degree of Protection: IP20

Page 2 of 3

After preparation of the necessary technical documentation as well as the EU declaration of conformity the required CE marking can be affixed on the product. The declaration of conformity is issued under the sole responsibility of the manufacturer. Other relevant EU-directives have to be observed.

TÜV SÜD Product Service GmbH • Certification Body • Ridlerstraße 65 • 80339 Munich • Germany



Product Service

## Attestation of Conformity

No. N8A 103501 0119 Rev. 00

Model	Rated output voltage (VDC)	Rated output current (A)	Max. rated output power (W)
J121-xxxxxxxwX, J061-xxxxxxxwX, J121L-xxxxxxxIX, J061L-xxxxxxxIX, J121L-050yyyyIU, J061L-050yyyyIU, J121L-xxxxxxxEX, J061L-xxxxxxxEX, J061L-050yyyyEU, J061L-050yyyyEU	4.5-8.9	0.001-2.1	10.5
	9.0-16.0	0.001-1.33	12.0
	16.1-30.0	0.001-0.745	12.0
J121-050yyyywU, J061-050yyyywU, J121L-050yyyyIU, J061L-050yyyyIU, J121L-050yyyyEU, J061L-050yyyyEU	5.0	0.001-2.1	10.5

Model	Rated output voltage (VDC)	Rated output current (A)	Max. rated output power (W)
J150-xxxxxxxEX, J012-xxxxxxxEX, J180-xxxxxxxwX, J151-xxxxxxxwX, J180-xxxxxxxIX, J151-xxxxxxxIX, J180A-xxxxxxxwX, J151A-xxxxxxxwX, J180A-xxxxxxxIX, J151A-xxxxxxxIX, J180C-xxxxxxxwX	4.5-8.9	0.01-3.0	15.0
	9.0-16.0	0.01-2.0	18.0
	16.1-30.0	0.01-1.12	18.0
J150-050yyyyEU, J012-050yyyyEU, J180-050yyyywU, J151-050yyyywU, J180-050yyyyIU, J151-050yyyyIU, J180A-050yyyywU, J151A-050yyyywU, J180A-050yyyyIU, J151A-050yyyyIU	5.0	0.01-3.0	15.0

Tested according to:

EN 62368-1:2014/A11:2017  
 EN IEC 61558-1:2019  
 EN 61558-2-16:2009/A1:2013

Page 3 of 3

After preparation of the necessary technical documentation as well as the EU declaration of conformity the required CE marking can be affixed on the product. The declaration of conformity is issued under the sole responsibility of the manufacturer. Other relevant EU-directives have to be observed.

TÜV SÜD Product Service GmbH • Certification Body • Ridlerstraße 65 • 80339 Munich • Germany





# Attestation of Conformity

No. E8A 103501 0143 Rev. 00

**Holder of Certificate:** Shenzhen Jiuzhou Power Technology Co., Ltd.  
4/F First Block, Jinmeiwei First Industrial Park  
West of Xingye Road, Heyi  
Shajing Town, Baoan District  
518104 Shenzhen, Guangdong  
PEOPLE'S REPUBLIC OF CHINA

**Name of Object:** **Adaptors  
(AC/DC ADAPTER)**

This Attestation of Conformity is issued on a voluntary basis according to the Directive 2014/30/EU relating to electromagnetic compatibility. It confirms that the listed apparatus complies with all essential requirements of the directive and is based on the technical specifications applicable at the time of issuance. It refers only to the particular sample submitted for testing and certification. For details see: [www.tuvsud.com/ps-cert](http://www.tuvsud.com/ps-cert)

Test report no.: 657602117701

Date, 2022-06-28

{ Laurent Yuan }

Page 1 of 4

After preparation of the necessary technical documentation as well as the EU Declaration of conformity the required CE marking can be affixed on the product. That Declaration of conformity is issued under the sole responsibility of the manufacturer. Other relevant EU-directives have to be observed.



# Attestation of Conformity

No. E8A 103501 0143 Rev. 00

**Model(s):** J121-xxxxxyywwX, J061-xxxxxyywwX, J121-050yyyyywu, J061-050yyyyywu, J121L-xxxxxyyIX, J061L-xxxxxyyIX, J121L-050yyyyyIU, J061L-050yyyyyIU, J121L-xxxxxyyEX, J061L-xxxxxyyEX, J121L-050yyyyyEU, J061L-050yyyyyEU (xxx=045-300, stand for rated output voltage from 4.5VDC to 30.0VDC; yyyy=0001-2100, stand for rated output current from 0.001A to 2.1A; w=E, B or S, represent for different mains plug, E means European plug; B means British plug, S means Australia plug.) J150-xxxxxyyEX, J150-050yyyyyEU, J012-xxxxxyyEX, J012-050yyyyyEU, J180-xxxxxyywwX, J151-xxxxxyywwX, J180-050yyyyywu, J151-050yyyyywu, J180-xxxxxyyIX, J151-xxxxxyyIX, J180-050yyyyyIU, J151-050yyyyyIU, J180A-xxxxxyywwX, J151A-xxxxxyywwX, J180A-050yyyyywu, J151A-050yyyyywu, J180A-xxxxxyyIX, J151A-xxxxxyyIX, J180A-050yyyyyIU, J151A-050yyyyyIU, J180C-xxxxxyywwX (xxx=045-300, stand for rated output voltage from 4.5VDC to 30.0VDC; yyyy=0010-3000, stand for rated output current from 0.01A to 3.0A; w=E, B or S, represent for different mains plug, E means European plug; B means British plug, S means Australia plug.)

**Description of Object:**

Rated Input: 100-240VAC, 50/60Hz, 0.6A  
Rated Output: See below table for details  
Protection Class: II

Page 2 of 4

After preparation of the necessary technical documentation as well as the EU Declaration of conformity the required CE marking can be affixed on the product. That Declaration of conformity is issued under the sole responsibility of the manufacturer. Other relevant EU-directives have to be observed.





Product Service

# Attestation of Conformity

No. EBA 103501 0143 Rev. 00

Model	Rated output voltage (VDC)	Rated output current (A)	Max. rated output power (W)
J121-xxxxxxxwX, J061-xxxxxxxwX, J121L-xxxxxxxwX, J061L-xxxxxxxwX, J121L-xxxxxxxlX, J061L-xxxxxxxlX	4.5-8.9	0.001-2.1	10.5
	9.0-16.0	0.001-1.33	12.0
	16.1-30.0	0.001-0.745	12.0
J121-050yyyyyU, J061-050yyyyyU, J121L-050yyyyyU, J061L-050yyyyyU, J121L-050yyyylU, J061L-050yyyylU	5.0	0.001-2.1	10.5

Model	Rated output voltage (VDC)	Rated output current (A)	Max. rated output power (W)
J150-xxxxxxxwX, J012-xxxxxxxwX, J180-xxxxxxxwX, J151-xxxxxxxwX, J180-xxxxxxxlX, J151-xxxxxxxlX, J180A-xxxxxxxwX, J151A-xxxxxxxwX, J180A-xxxxxxxlX, J151A-xxxxxxxlX, J180C-xxxxxxxwX	4.5-8.9	0.01-3.0	15.0
	9.0-16.0	0.01-2.0	18.0
	16.1-30.0	0.01-1.12	18.0
J150-050yyyyyU, J012-050yyyyyU, J180-050yyyyyU, J151-050yyyyyU, J180-050yyyylU, J151-050yyyylU, J180A-050yyyyyU, J151A-050yyyyyU, J180A-050yyyylU, J151A-050yyyylU	5.0	0.01-3.0	15.0

Page 3 of 4

After preparation of the necessary technical documentation as well as the EU Declaration of conformity the required CE marking can be affixed on the product. That Declaration of conformity is issued under the sole responsibility of the manufacturer. Other relevant EU-directives have to be observed.

TÜV SÜD Product Service GmbH • Certification Body • Ridlerstraße 65 • 80339 Munich • Germany



Product Service

# Attestation of Conformity

No. EBA 103501 0143 Rev. 00

Tested according to:

EN IEC 55014-1:2021  
EN IEC 55014-2:2021  
EN 55032:2015/A11:2020  
EN 55035:2017/A11:2020  
EN IEC 61000-3-2:2019/A1:2021  
EN 61000-3-3:2013/A2:2021

Page 4 of 4

After preparation of the necessary technical documentation as well as the EU Declaration of conformity the required CE marking can be affixed on the product. That Declaration of conformity is issued under the sole responsibility of the manufacturer. Other relevant EU-directives have to be observed.

TÜV SÜD Product Service GmbH • Certification Body • Ridlerstraße 65 • 80339 Munich • Germany



EU DECLARATION OF CONFORMITY

NO E8A 103501 0143 Rev. 00/NO N8A 103501 0119 Rev. 001.Product model,

'product (product, type, batch or serial number):J121-0502000EX

2.Name and address of the manufacturer or his authorised representative:Shenzhen Jiuzhou PowerTechnology Co., Ltd. 4/F First Block, Jinmeiwei First industrial ParkWest of Xingye Road, HeYiShajing Town, Baoan District518104 Shenzhen, GuangdongPEOPLE'S REPUBLIC OF CHINA

3.This declaration of conformity is issued under the sole responsibility of the manufacturer.

4.Object of the declaration (identification of electrical equipment allowing traceability, it may include a colour image of sufficient clarity where necessary for the identification of the electrical equipment):



The object of the declaration described above is in conformity with the relevant Union harmonisation legislation:

VD 2014/35/EU

MC 2014/30/EU

TC25220076-1 ROHS 202506186

References to the relevant harmonised standards used or references to the other technical specifications in relation to which conformity is declared:

EN 5014, areearg + A: 2009 + A: 2011 EN IEC 5014-1: 021 / EN IEC 5014-2: 2011 EN 1000-3-3: 2013/A2: 021 EN 5032: 2015/A1: 2020 EN 5035: 2017/A1: 020 EN IEC 1000-3-2: 2019/A1: 021E

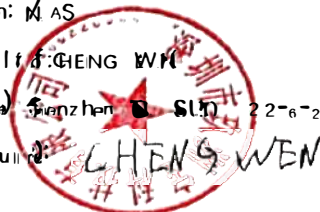
EN 62368-1: 2014/A1: 2017 EN IEC 6558-1: 2019 EN 6558-2: 2016: 2009/A1: 2013

Additional information: N/A

Signed for and on behalf of: CHENG WEN

place and date of issue: Shenzhen, SLN 22-6-282 022-6-211

name (full name) (signature):



EU DECLARATION OF CONFORMITY

KST241218E003Q02

1.Product model/product (product, type, batch or serial number):LKS024Y

2.Name and address of the manufacturer or his authorised representative: Dong Guan City Luckking Electronics Co.,Ltd

3.This declaration of conformity is issued under the sole responsibility of the manufacturer.

4.Object of the declaration (identification of electrical equipment allowing traceability, it may include a colour image of sufficient clarity where necessary for the identification of the electrical equipment):



5.The object of the declaration described above is in conformity with the relevant Union harmonisation legislation:

EMC directive 2014/30/EU

6. References to the relevant harmonised standards used or references to the other technical specifications in relation to which conformity is declared:

EN 55032:2015+A11:2020 / EN 55032:2017+A11:2020

7.Additional information:

Signed for and on behalf of:Jack.Li

(place and date of issue):December 30,2024

(name, function) (signature):

Test result	The equipment under test was found to be compliance with the requirements of the standards applied.		
Tested by: Bing. He	Sign: <i>Bing He</i>	Date: 2024.12.30	
Reviewed by: Lake. Wang	Sign: <i>Lake Wang</i>	Date: 2024.12.30	
Approved by: Jack. Li (Supervisor)	Sign: <i>Jack Li</i>	Date: 2024.12.30	





KeySense Testing & Certification International Co., Ltd.  
 1-3F, Lab Building, No.29 District, Zhongkai Hi-Tech  
 Industrial Development Park, Huizhou, Guangdong,  
 China

Tel: 0752-3219929  
 Fax: 0752-3219929  
 http://www.kst-cert.com

# Technical Compliance Statement

Certificate No.: KST241218E003Q02

Report No.: KST241218E003Q02

The following product has been tested by us with the listed standards and found in Compliance with the council EMC directive 2014/30/EU. It is demonstrative for the Compliance with this EMC Directive.

**Holder:** Dong Guan City Luckking Electronics Co., Ltd

**Address:** 201 No. 6, Fengqing Road, Fenghuanggang Village, Tangxia Town, Dongguan City Guangdong Province P.R.China

**Product:** USB Charging adapter

**Model Name:** LKS024Y

**Trade Name:** LUCKKING

Test Standard	
EN 55032:2015+A11:2020	Electromagnetic compatibility of multimedia equipment – Emission requirements
EN 55035:2017+A11:2020	Electromagnetic compatibility of multimedia equipment – Immunity requirements



Signature: 

Name: Jack Li

Position: Supervisor

Date: December 30, 2024



The statement is based on single evaluation of one sample of above mentioned product. It does not imply an assessment of the whole production and does not permit the use of the test lab. Logo.